

US00D663606S

(12) **United States Design Patent**
Doll et al.

(10) **Patent No.:** **US D663,606 S**
(45) **Date of Patent:** **** Jul. 17, 2012**

(54) **KEY**
(75) Inventors: **Jeffrey J. Doll**, Tonica, IL (US); **Troy A. Larsen**, Manito, IL (US); **Anthony S. Cooksey**, Metamora, IL (US); **Craig B. Kelley**, Dunlap, IL (US)

D548,207 S * 8/2007 Hsiung D14/129
7,370,501 B2 * 5/2008 Miyata et al. 70/395
D579,318 S 10/2008 Davis
D588,438 S * 3/2009 Keller D8/347
D592,935 S * 5/2009 Mesh et al. D8/347
D619,876 S 7/2010 Pastore

(73) Assignee: **Caterpillar Inc.**, Peoria, IL (US)

FOREIGN PATENT DOCUMENTS

(**) Term: **14 Years**

CN 3172919 1/2001
CN 3508005 2/2006
CN 300689001 9/2007
CN 300892976 3/2009
EM 000210091-0006 10/2004
EM 000210091-0009 10/2004
JP D1172638 5/2003
JP D1391589 7/2010
JP D1370887 9/2011

(21) Appl. No.: **29/392,667**

(22) Filed: **May 25, 2011**

(51) **LOC (9) Cl.** **08-07**

(52) **U.S. Cl.** **D8/347**

(58) **Field of Classification Search** D8/347,
D8/348, 330; 70/336, 344, 348, 382, 408,
70/429, 430, 447, 448, 460, DIG. 47

See application file for complete search history.

* cited by examiner

Primary Examiner — Prabhakar Deshmukh

(74) *Attorney, Agent, or Firm* — Robin S. Fahlberg

(56) **References Cited**

(57) **CLAIM**

The ornamental design for a key, as shown and described.

U.S. PATENT DOCUMENTS

DESCRIPTION

1,161,760 A 11/1915 Baird
D175,879 S 10/1955 Bobrow
D235,189 S 5/1975 Tachi
D265,049 S 6/1982 Flies
D293,549 S 1/1988 Stinson
D302,238 S * 7/1989 Kopu D8/347
D307,704 S * 5/1990 Vonlanthen D8/347
D358,543 S * 5/1995 Amber D8/347
5,548,984 A 8/1996 Miyatsu
5,730,013 A * 3/1998 Huang 70/395
5,819,568 A * 10/1998 Christie et al. 70/395
D424,911 S 5/2000 Geringer et al.
6,386,007 B1 * 5/2002 Johnson et al. 70/408
D459,846 S 7/2002 Mottern et al.
6,601,421 B1 * 8/2003 Chaillie 70/408

FIG. 1 is a front view of a key showing our new design;
FIG. 2 is a right view thereof,
FIG. 3 is a back view thereof,
FIG. 4 is a left view thereof,
FIG. 5 is a top view thereof,
FIG. 6 is a bottom view thereof,
FIG. 7 is a front perspective view thereof; and,
FIG. 8 is a back perspective view thereof.

The broken lines of the figures showing additional portions of the key are included for the purpose of illustrating environmental structure and form no part of the claimed design.

1 Claim, 8 Drawing Sheets

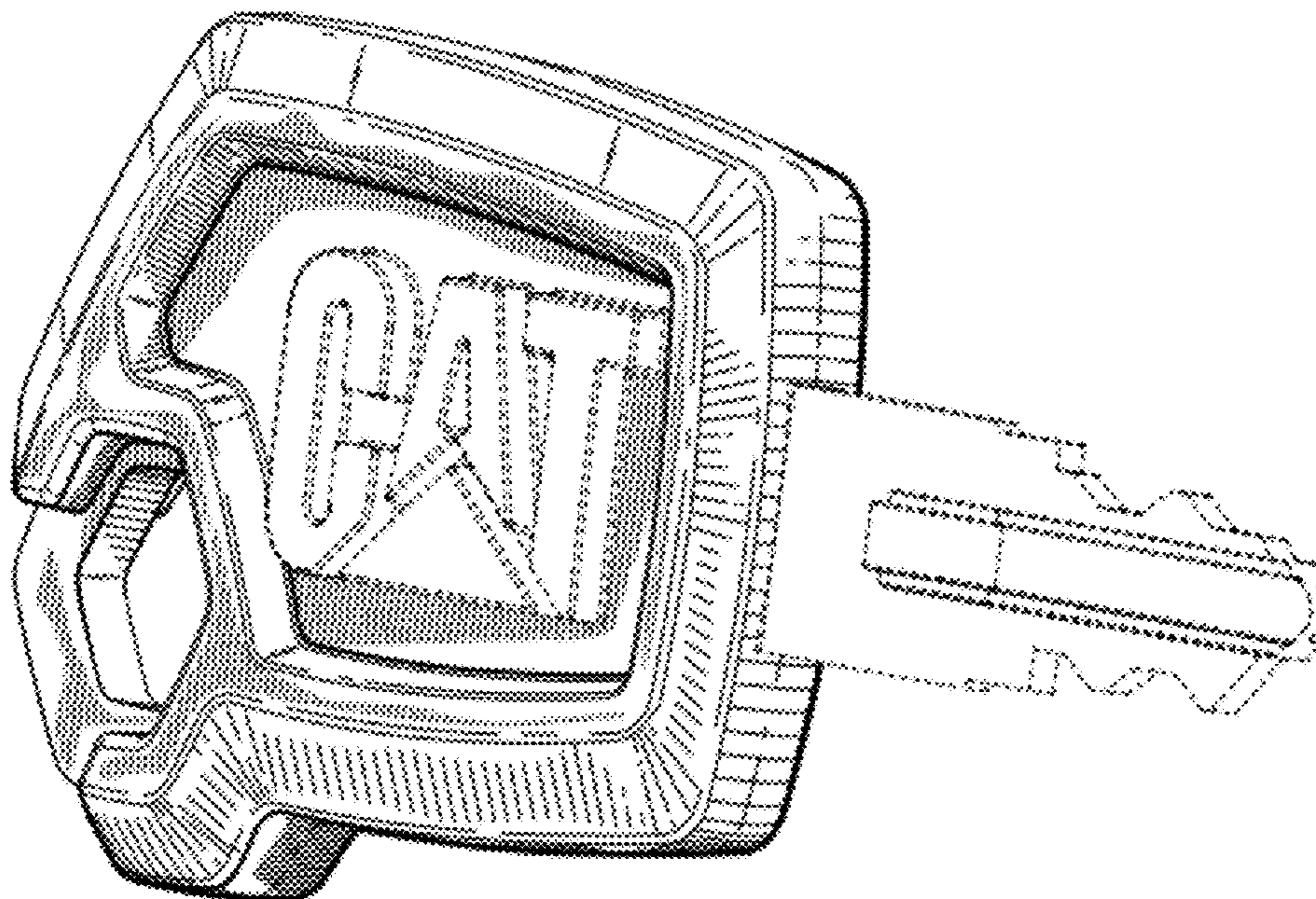


FIG. 1

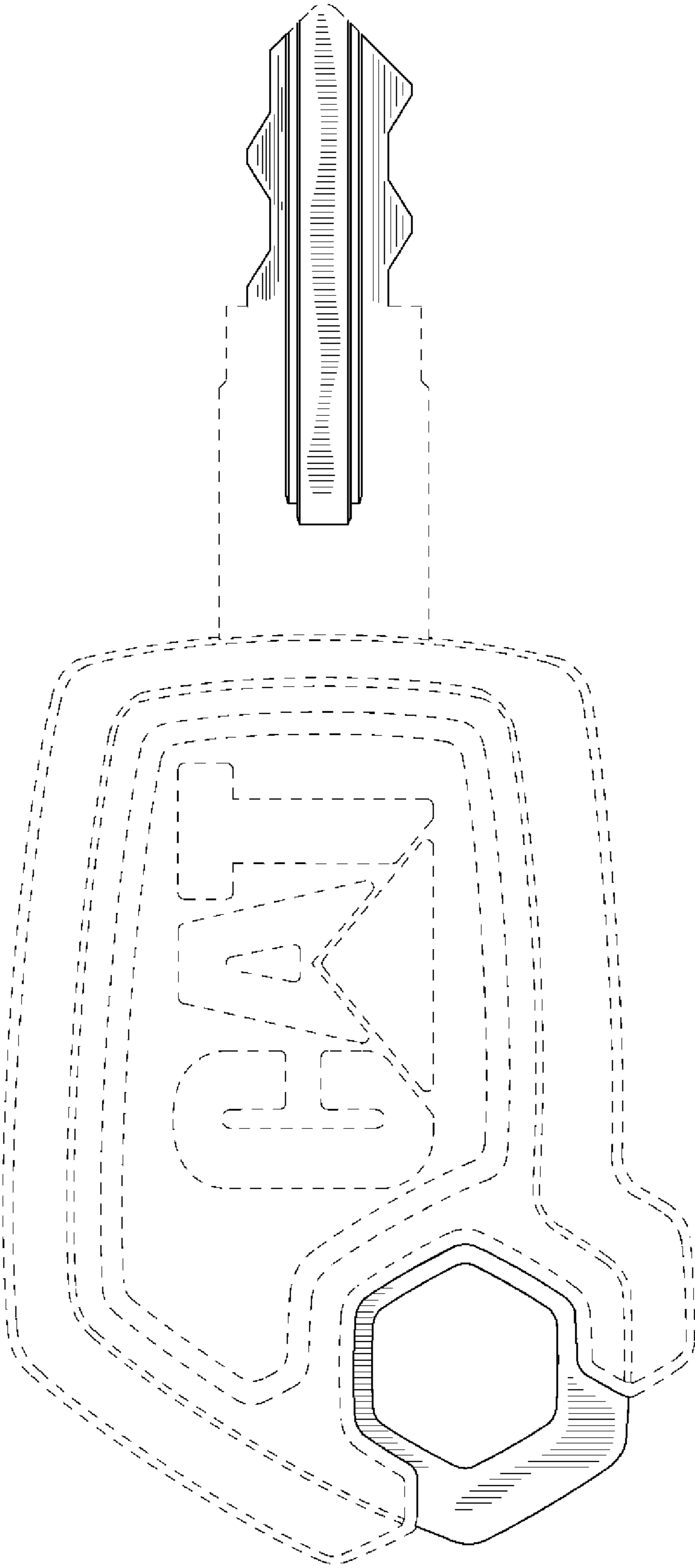


FIG. 2

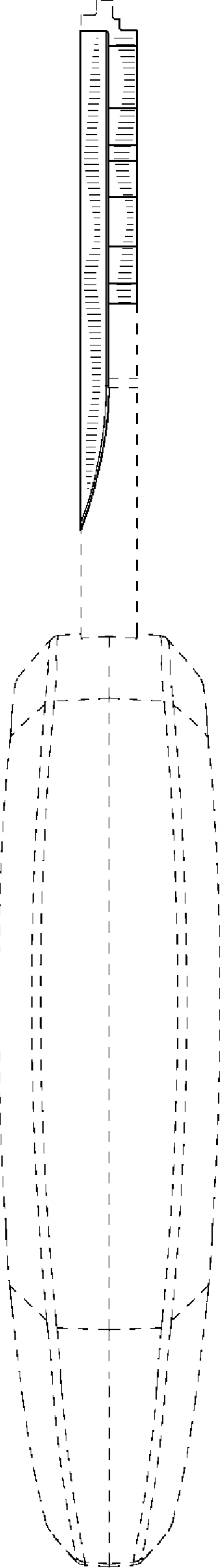


FIG. 3

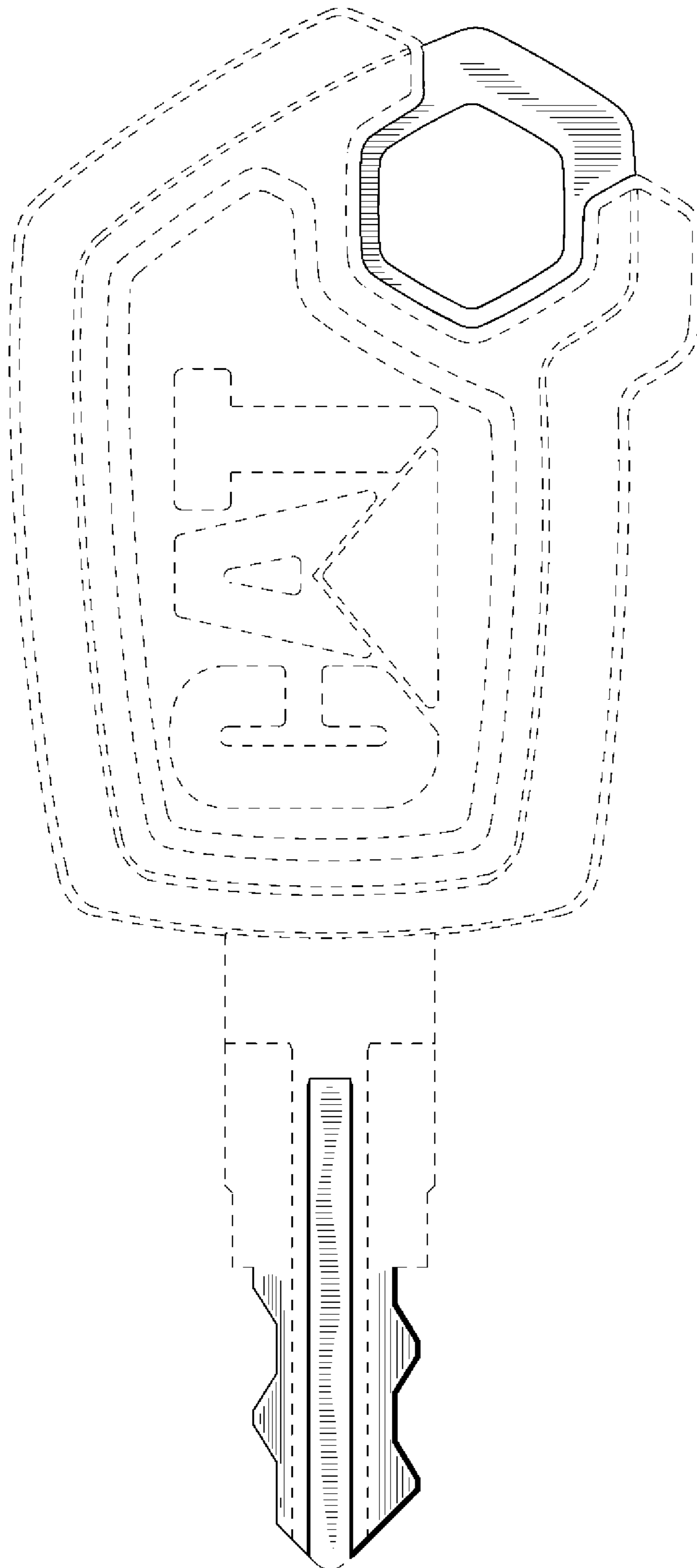
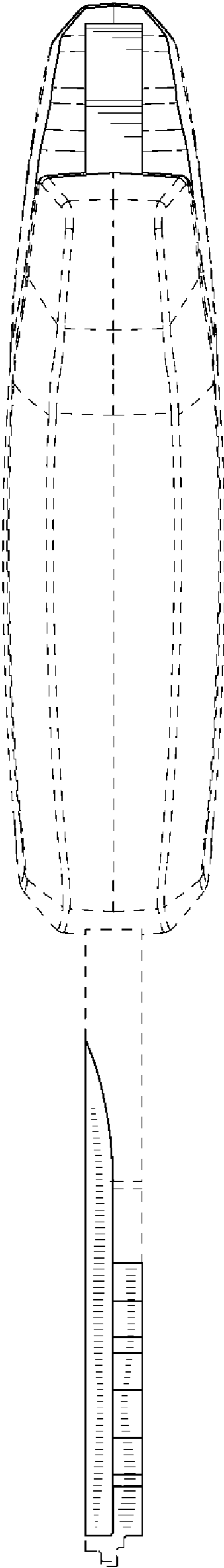


FIG. 4



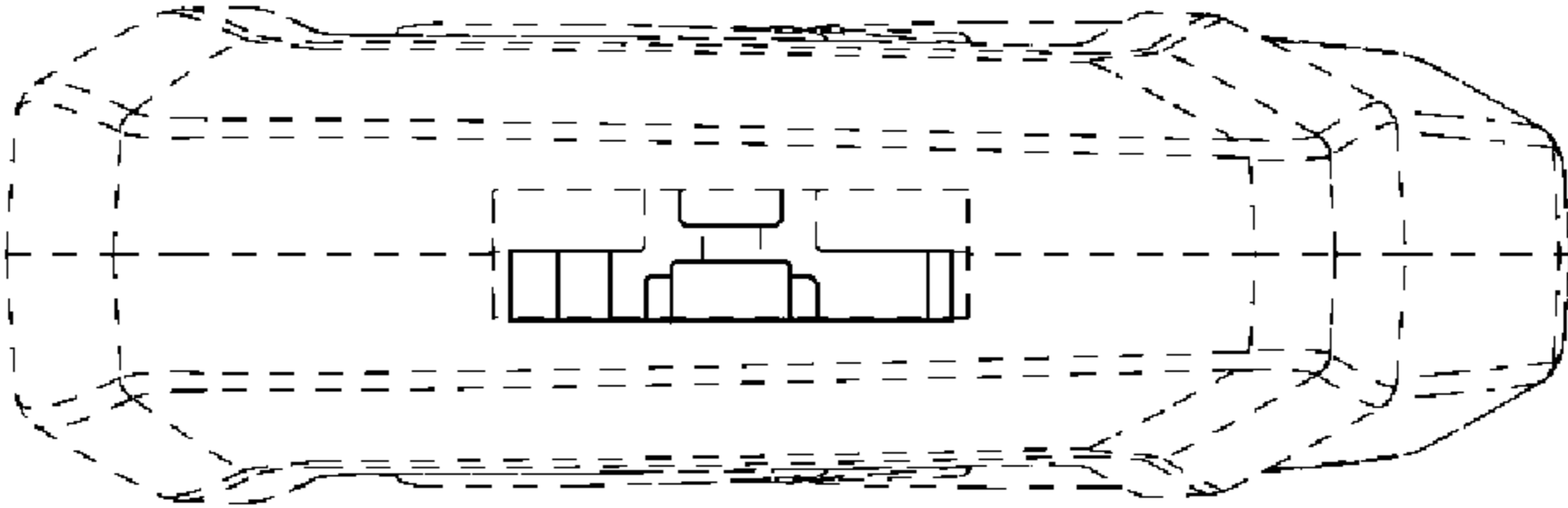


FIG. 5

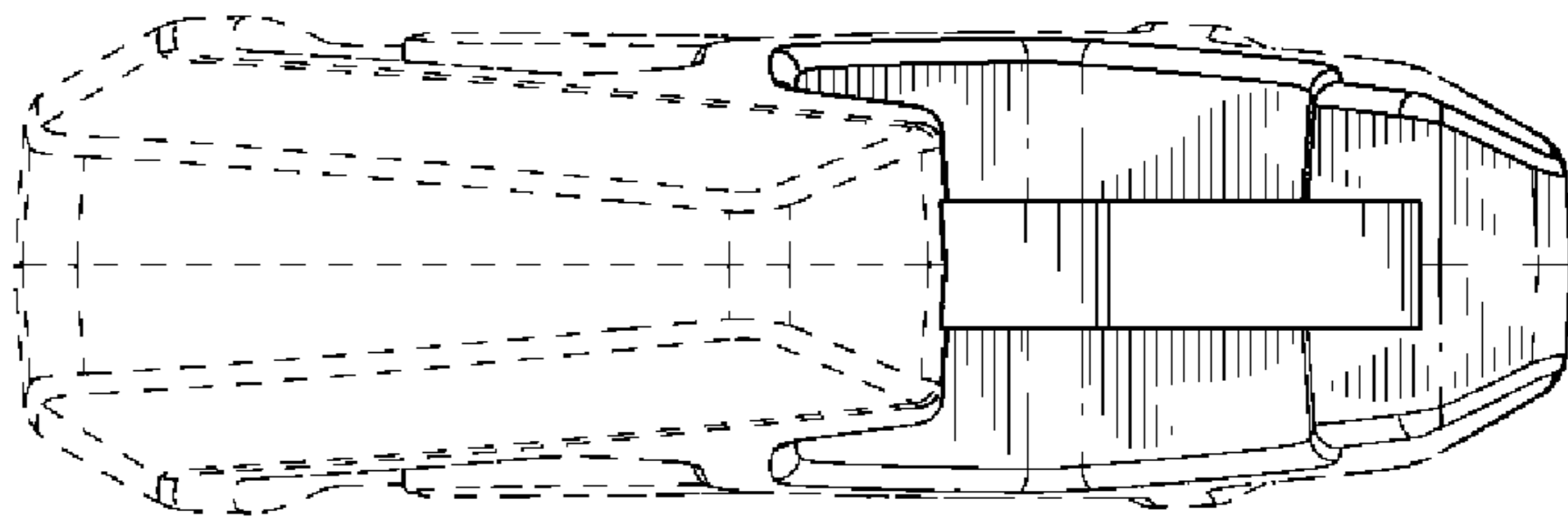


FIG. 6

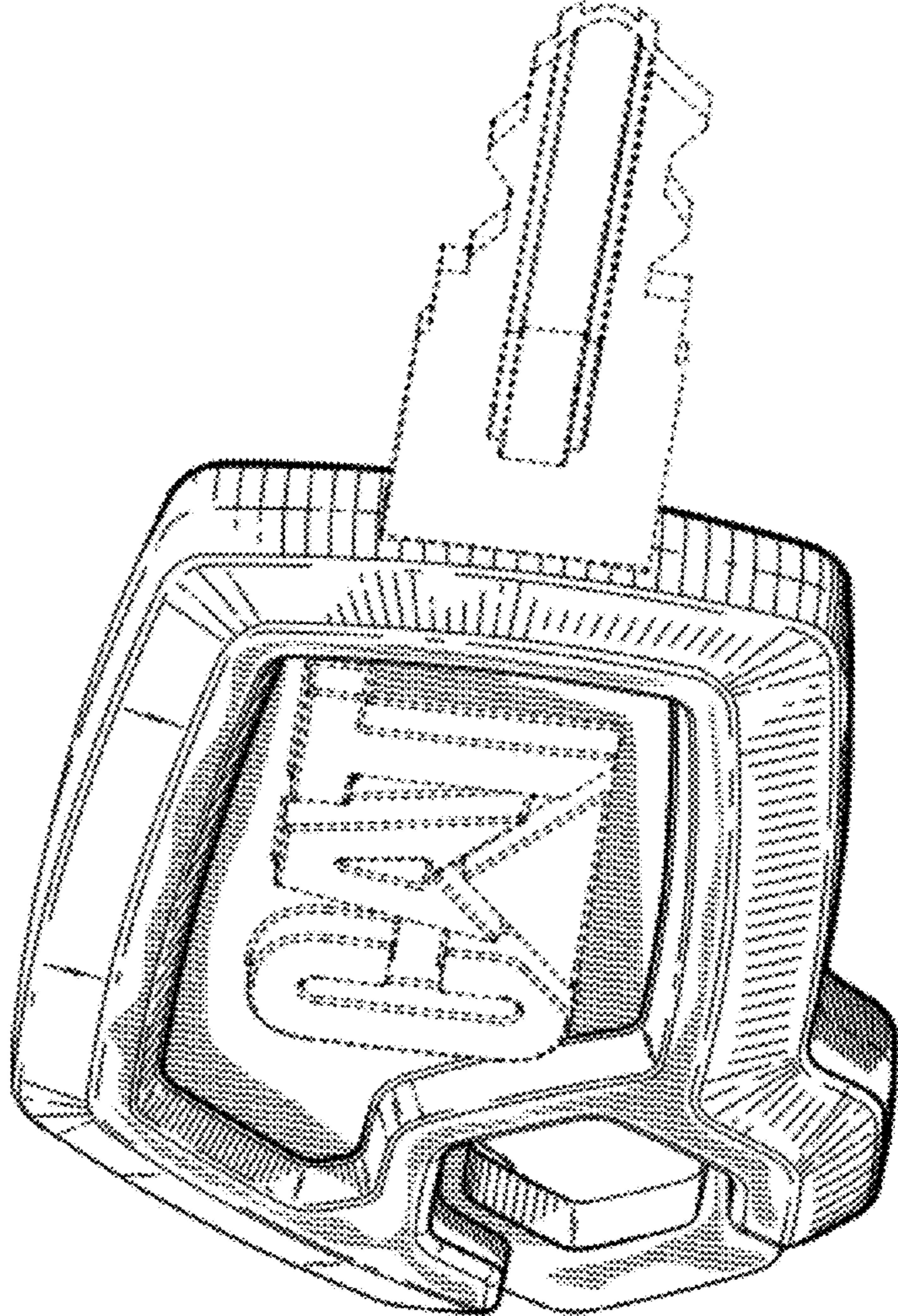


FIG. 7

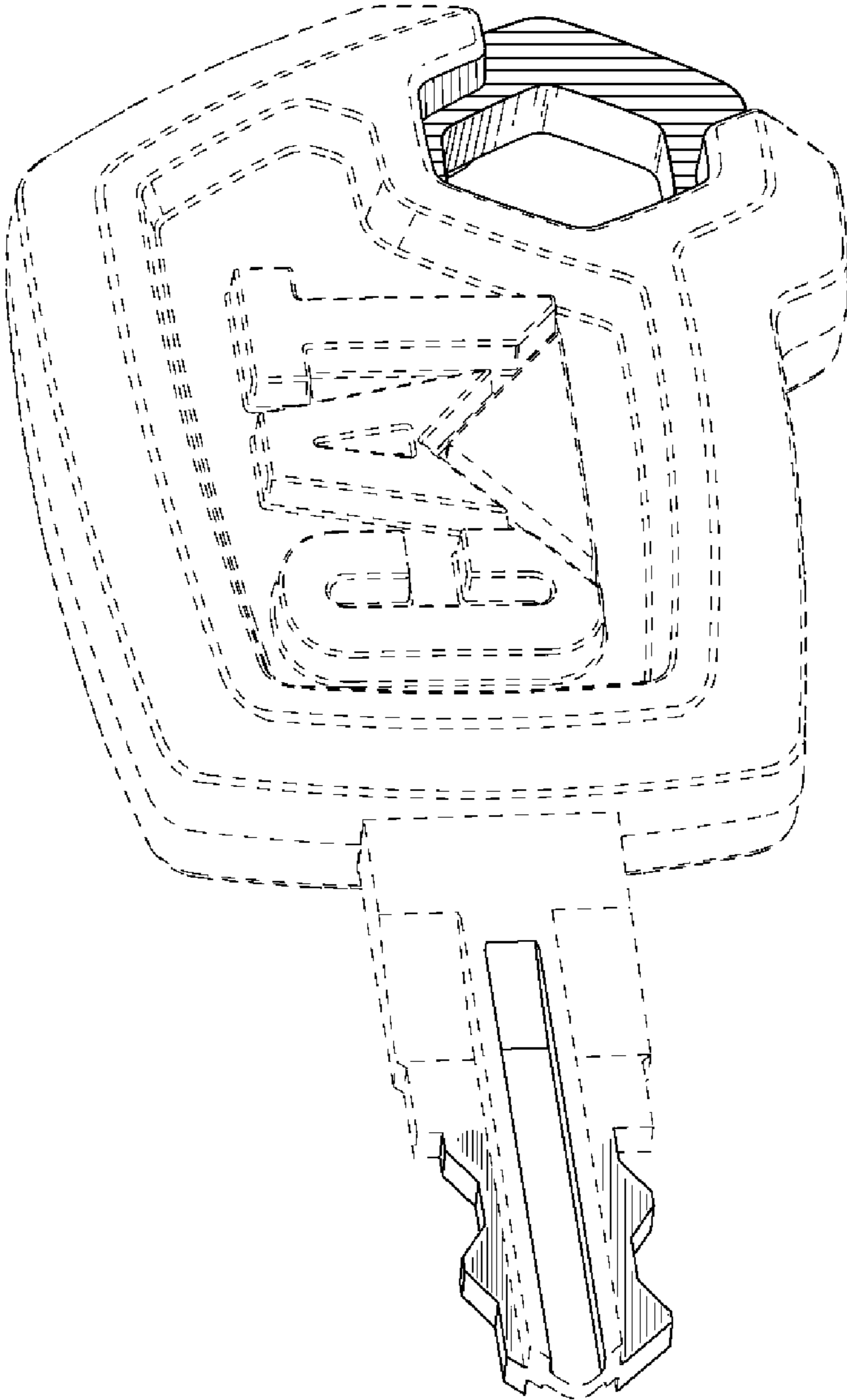


FIG. 8

UNITED STATES PATENT AND TRADEMARK OFFICE
CERTIFICATE OF CORRECTION

PATENT NO. : D663,606 S
APPLICATION NO. : 29/392667
DATED : July 17, 2012
INVENTOR(S) : Jeffrey J. Doll et al.

Page 1 of 10

It is certified that error appears in the above-identified patent and that said Letters Patent is hereby corrected as shown below:

Delete the title page and substitute therefore the attached title page consisting of the corrected illustrative figure.

Delete Drawing Sheets 1-8 and substitute therefore the attached Drawing Sheets 1-8.

Signed and Sealed this
Fourth Day of September, 2012

A handwritten signature in black ink that reads "David J. Kappos". The signature is written in a cursive, slightly slanted style.

David J. Kappos
Director of the United States Patent and Trademark Office

(12) **United States Design Patent**
Doll et al.

(10) **Patent No.:** **US D663,606 S**
(45) **Date of Patent:** **** Jul. 17, 2012**

(54) **KEY**

(75) **Inventors:** **Jeffrey J. Doll**, Tonica, IL (US); **Troy A. Larsen**, Manito, IL (US); **Anthony S. Cooksey**, Metamora, IL (US); **Craig B. Kelley**, Dunlap, IL (US)

(73) **Assignee:** **Caterpillar Inc.**, Peoria, IL (US)

(**) **Term:** **14 Years**

(21) **Appl. No.:** **29/392,667**

(22) **Filed:** **May 25, 2011**

(51) **LOC (9) Cl.** **08-07**

(52) **U.S. Cl.** **D8/347**

(58) **Field of Classification Search** **D8/347, D8/348, 330; 70/336, 344, 348, 382, 408, 70/429, 430, 447, 448, 460, DIG. 47**
 See application file for complete search history.

(56) **References Cited**

D548,207 S * 8/2007 Hsiung D14/129
 7,370,501 B2 * 5/2008 Miyata et al. 70/395
 D579,318 S 10/2008 Davis
 D588,438 S * 3/2009 Keller D8/347
 D592,935 S * 5/2009 Mesh et al. D8/347
 D619,876 S 7/2010 Pastore

FOREIGN PATENT DOCUMENTS

CN	3172919	1/2001
CN	3508005	2/2006
CN	300689001	9/2007
CN	300892976	3/2009
EM	000210091-0006	10/2004
EM	000210091-0009	10/2004
JP	D1172638	5/2003
JP	D1391589	7/2010
JP	D1370887	9/2011

* cited by examiner

Primary Examiner — Prabhakar Deshmukh
(74) *Attorney, Agent, or Firm* — Robin S. Fahlberg

(57) **CLAIM**
 The ornamental design for a key, as shown and described.

DESCRIPTION

FIG. 1 is a front view of a key showing our new design;
 FIG. 2 is a right view thereof,
 FIG. 3 is a back view thereof,
 FIG. 4 is a left view thereof,
 FIG. 5 is a top view thereof,
 FIG. 6 is a bottom view thereof,
 FIG. 7 is a front perspective view thereof; and,
 FIG. 8 is a back perspective view thereof.
 The broken lines of the figures showing additional portions of the key are included for the purpose of illustrating environmental structure and form no part of the claimed design.

1 Claim, 8 Drawing Sheets

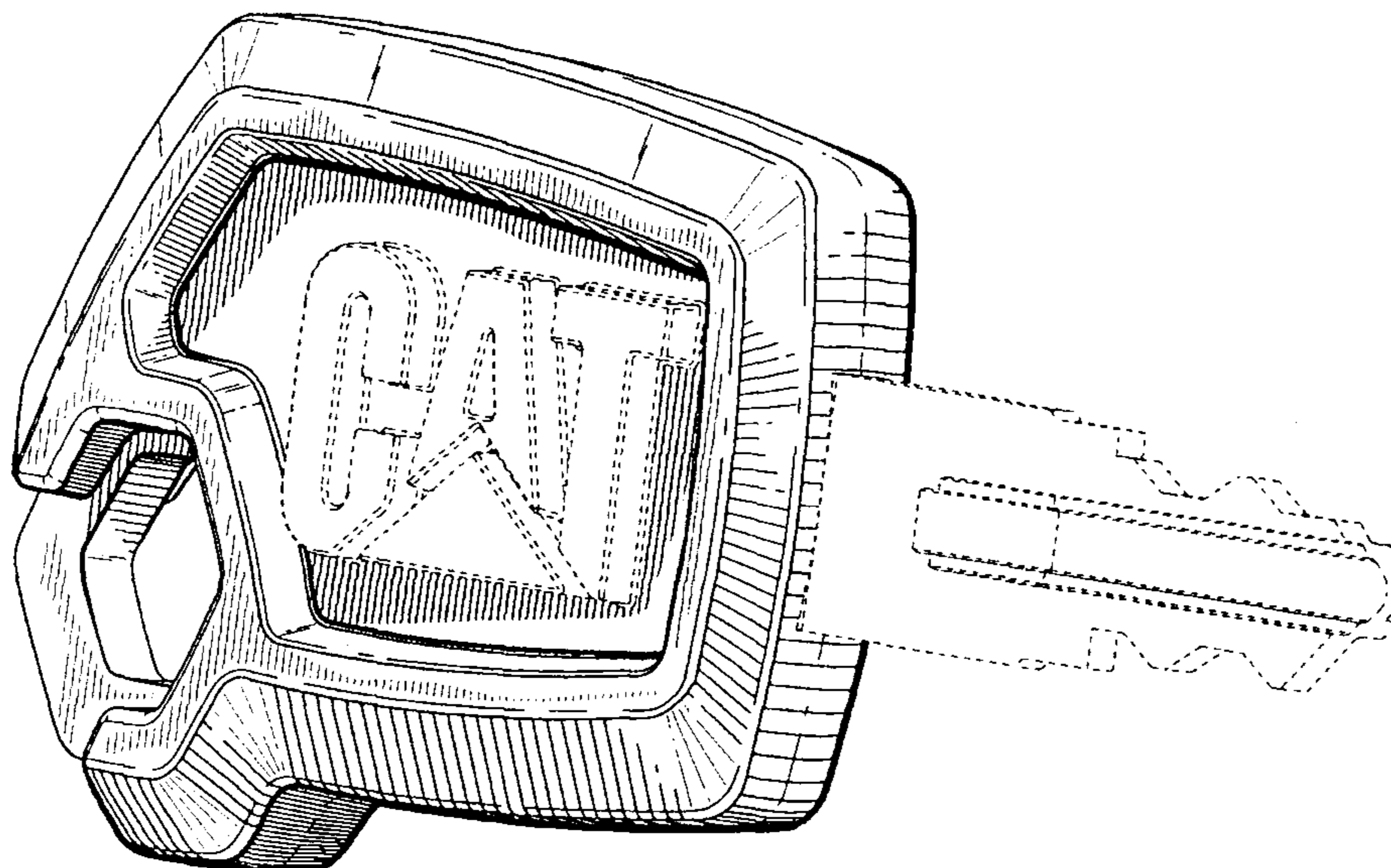


FIG. 1

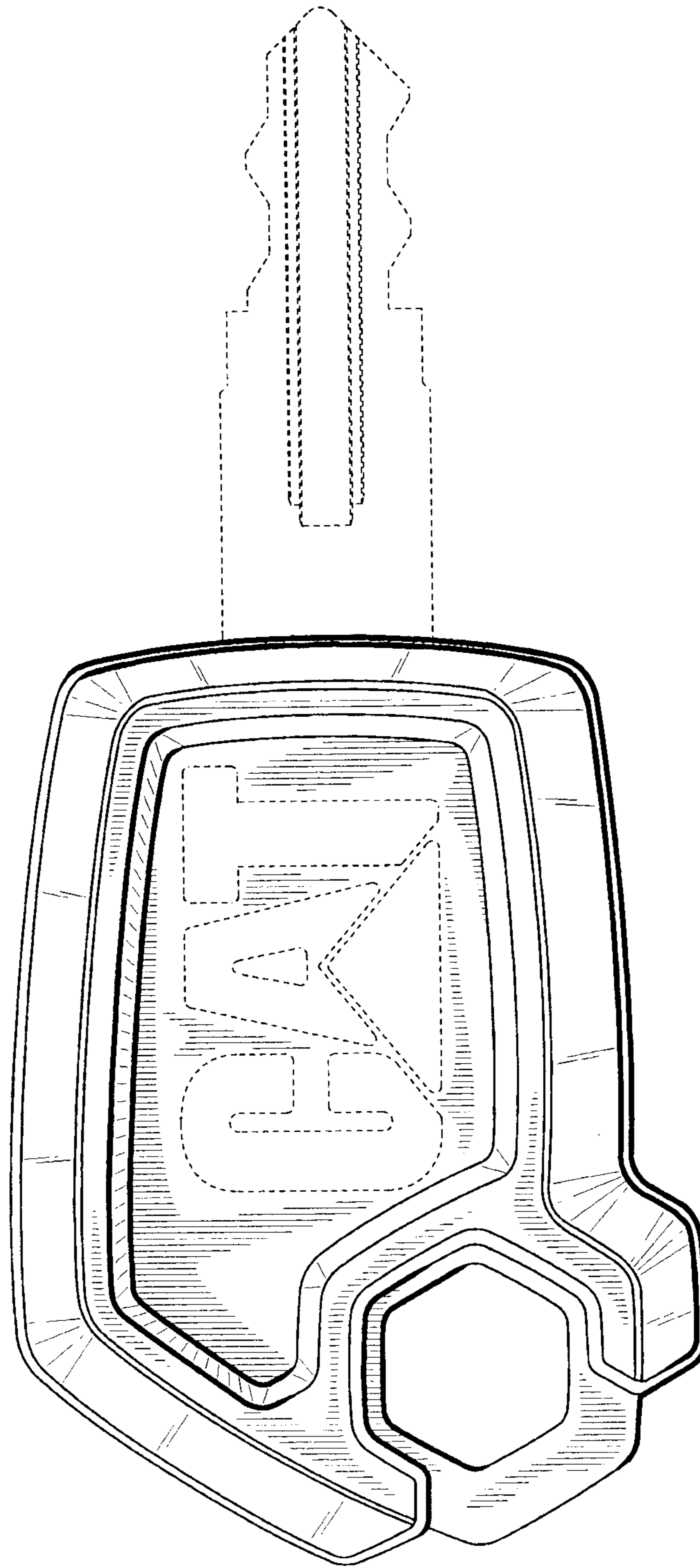
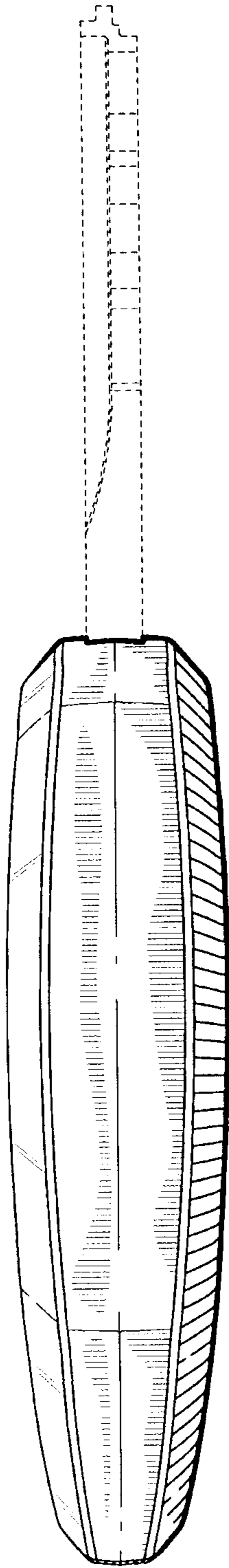


FIG. 2



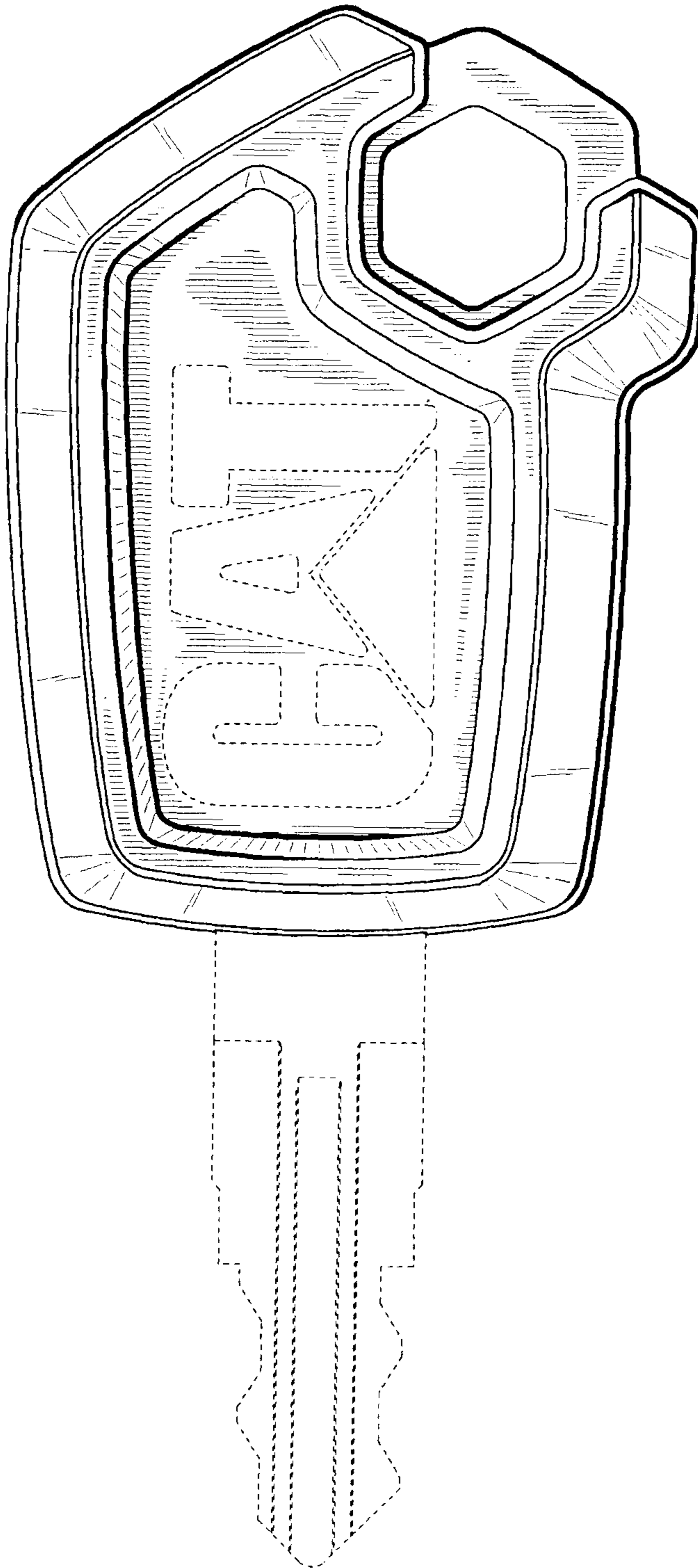


FIG. 3

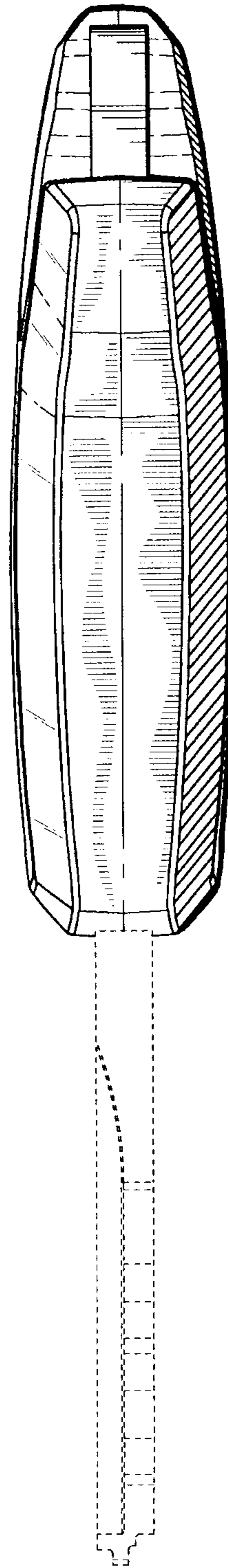


FIG. 4

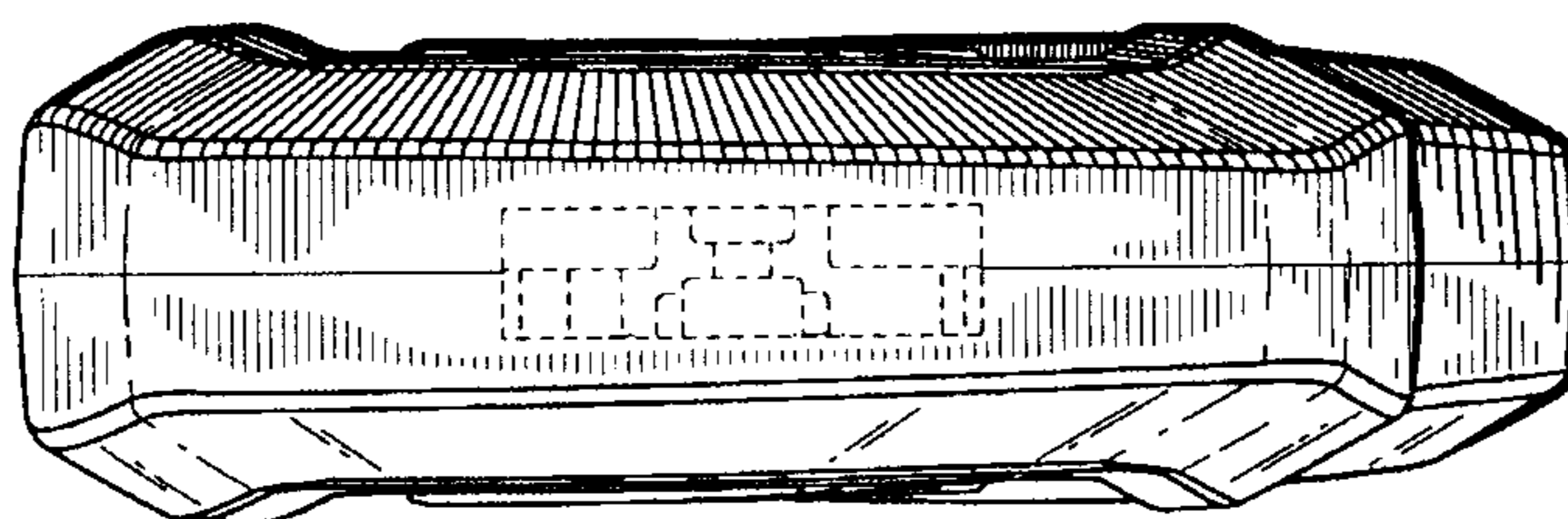


FIG. 5

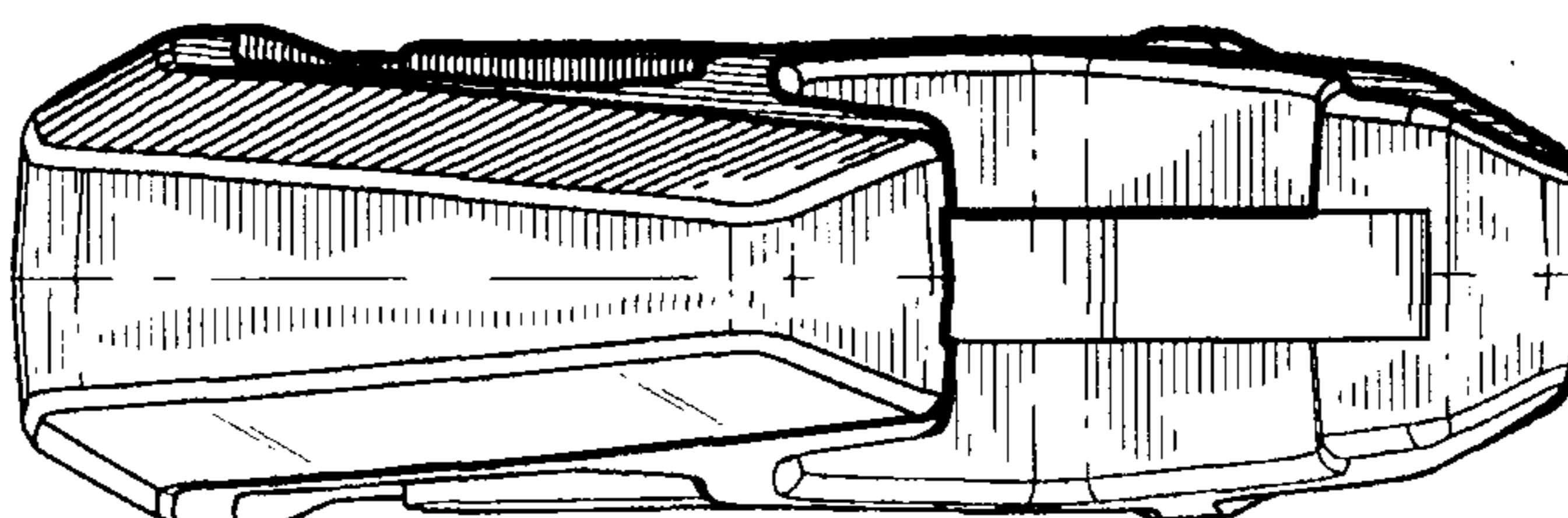


FIG. 6

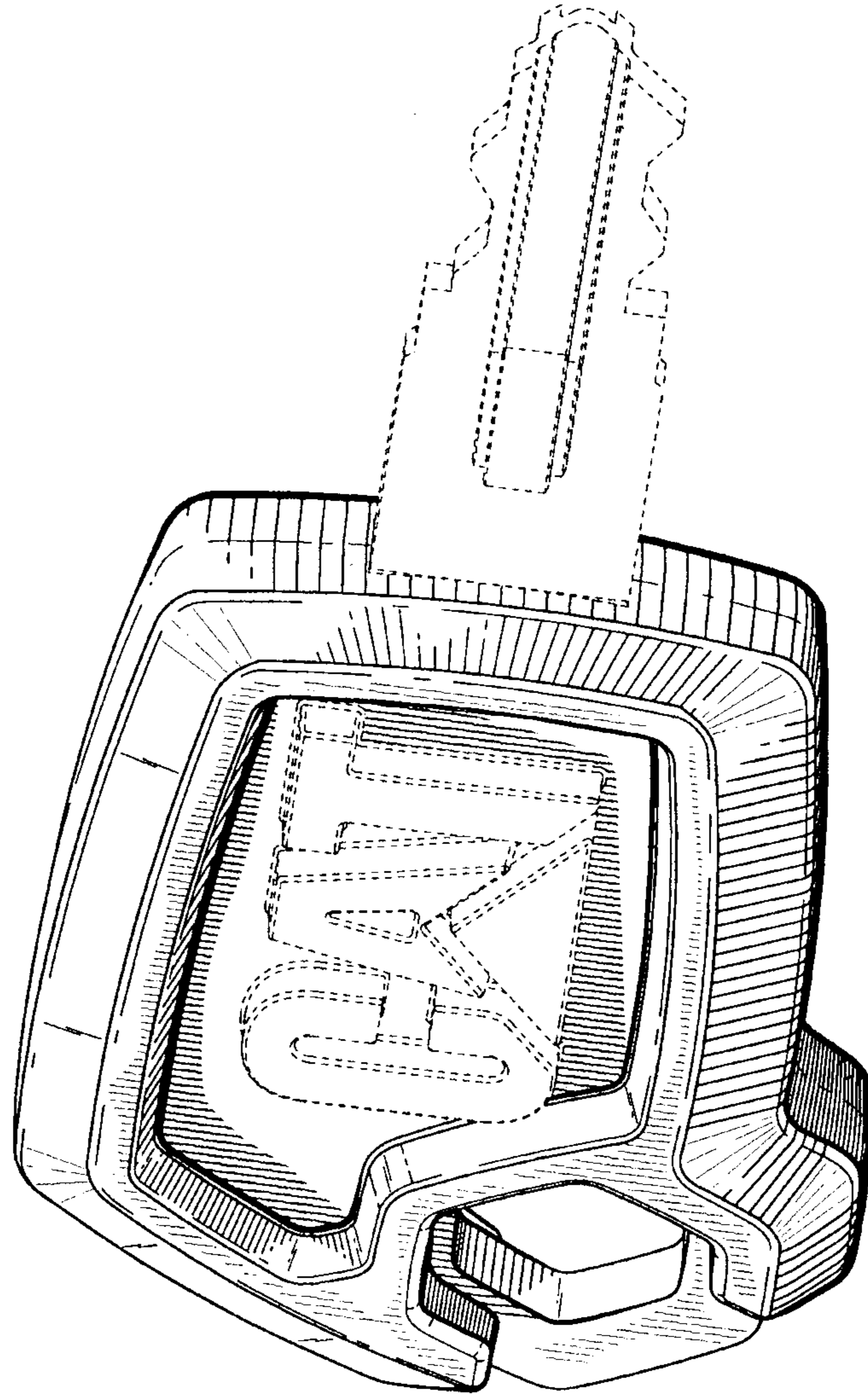


FIG. 7

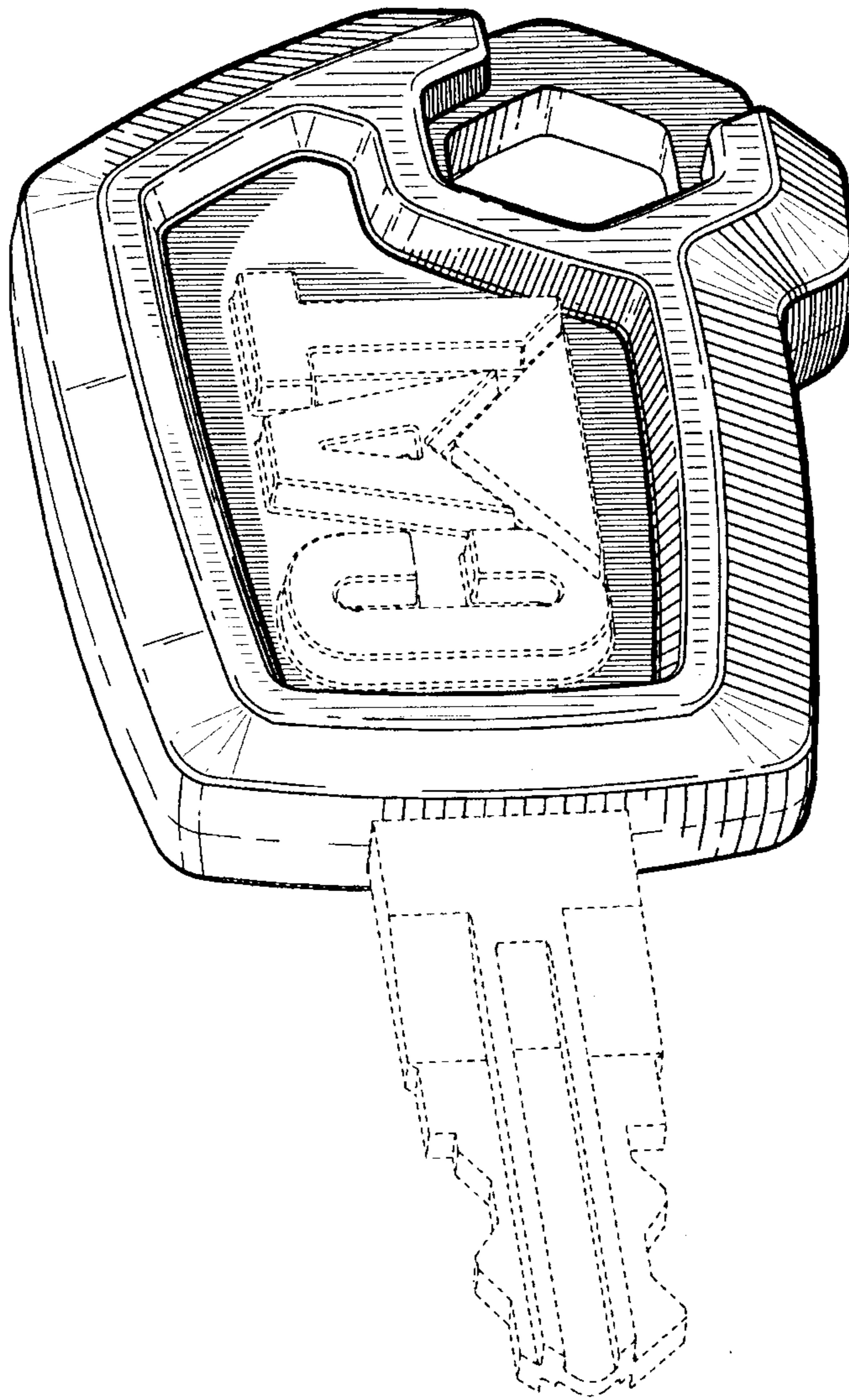


FIG. 8