

US00D663605S

(12) **United States Design Patent**
Rohde et al.

(10) **Patent No.:** **US D663,605 S**
(45) **Date of Patent:** **** Jul. 17, 2012**

(54) **LOCKOUT DEVICE**

(75) Inventors: **Christopher J. Rohde**, West Allis, WI (US); **Brent A. Bandholz**, Hubertus, WI (US); **Richard L. Carriere**, Oak Creek, WI (US); **Thaddeus C. Stankowski**, Glendale, WI (US)

(73) Assignee: **Brady Worldwide, Inc.**, Milwaukee, WI (US)

(**) Term: **14 Years**

(21) Appl. No.: **29/403,416**

(22) Filed: **Oct. 5, 2011**

(51) **LOC (9) Cl.** **08-07**

(52) **U.S. Cl.** **D8/331; D8/343**

(58) **Field of Classification Search** D8/330, D8/331, 336, 339, 343, 349.4, 499; 70/14, 70/1.5, 1.7, 51, 52, 416, 419, 420, 431, 57.1, 70/141, 439, 440; 292/289, 290, 292, 298, 292/359

See application file for complete search history.

(56) **References Cited**

U.S. PATENT DOCUMENTS

3,914,965 A * 10/1975 Paxton 70/34
D242,521 S * 11/1976 Plymton D8/339

D245,520 S * 8/1977 Smith et al. D14/240
4,304,388 A * 12/1981 Gates 249/219.2
D273,932 S * 5/1984 Gates D8/330
4,770,451 A * 9/1988 Souza 292/289
D348,206 S * 6/1994 Chen D8/331
D479,975 S * 9/2003 Winocoor D8/331
D487,013 S * 2/2004 Jenks D8/343
D540,151 S * 4/2007 Ebersole D8/343
D609,551 S * 2/2010 Gibbs D8/331
D647,781 S * 11/2011 Tejszerski et al. D8/330

* cited by examiner

Primary Examiner — Prabhakar Deshmukh

(74) *Attorney, Agent, or Firm* — Quarles & Brady LLP

(57) **CLAIM**

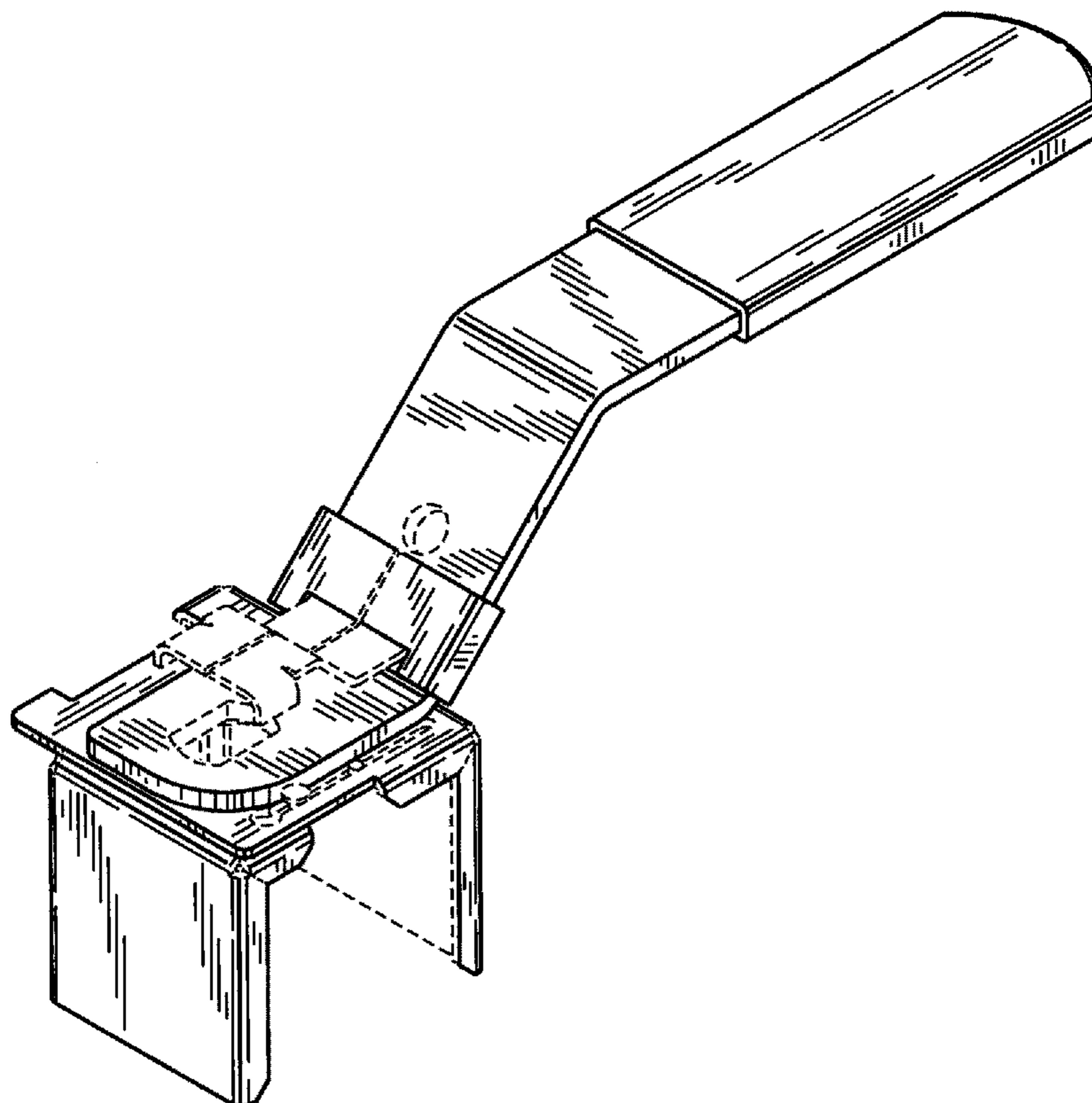
The ornamental design for a lockout device, as shown and described.

DESCRIPTION

FIG. 1 is a left, top, front perspective view of a lockout device embodying our new design;
FIG. 2 is a top plan view thereof;
FIG. 3 is a front elevational view thereof;
FIG. 4 is a rear elevational view thereof;
FIG. 5 is a left end elevational view thereof
FIG. 6 is a right end elevational view thereof; and,
FIG. 7 is bottom plan view thereof.

The broken line representations in the figures are for the purpose of illustration only, and form no part of the claimed design.

1 Claim, 5 Drawing Sheets



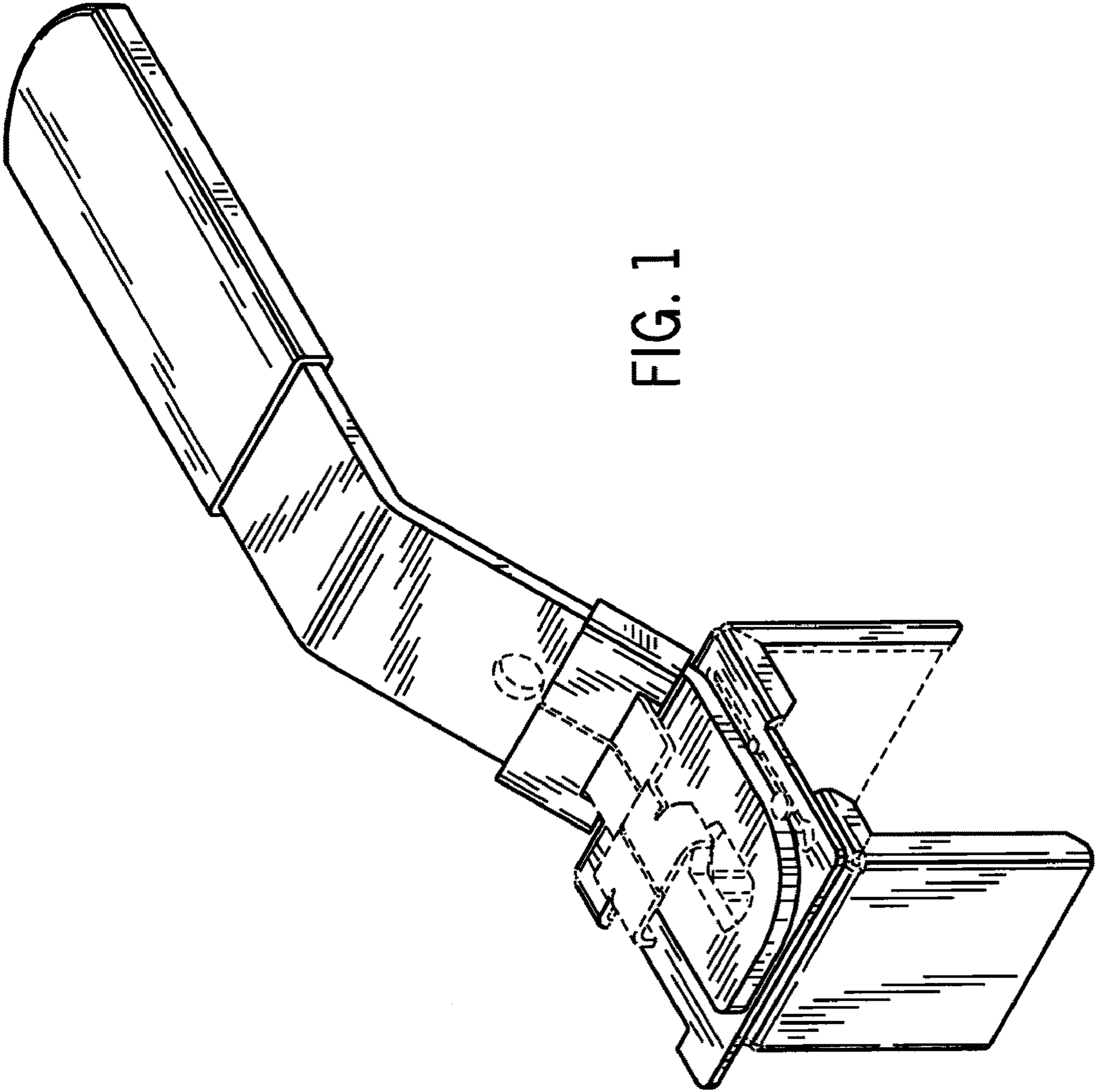


FIG. 1

FIG. 2

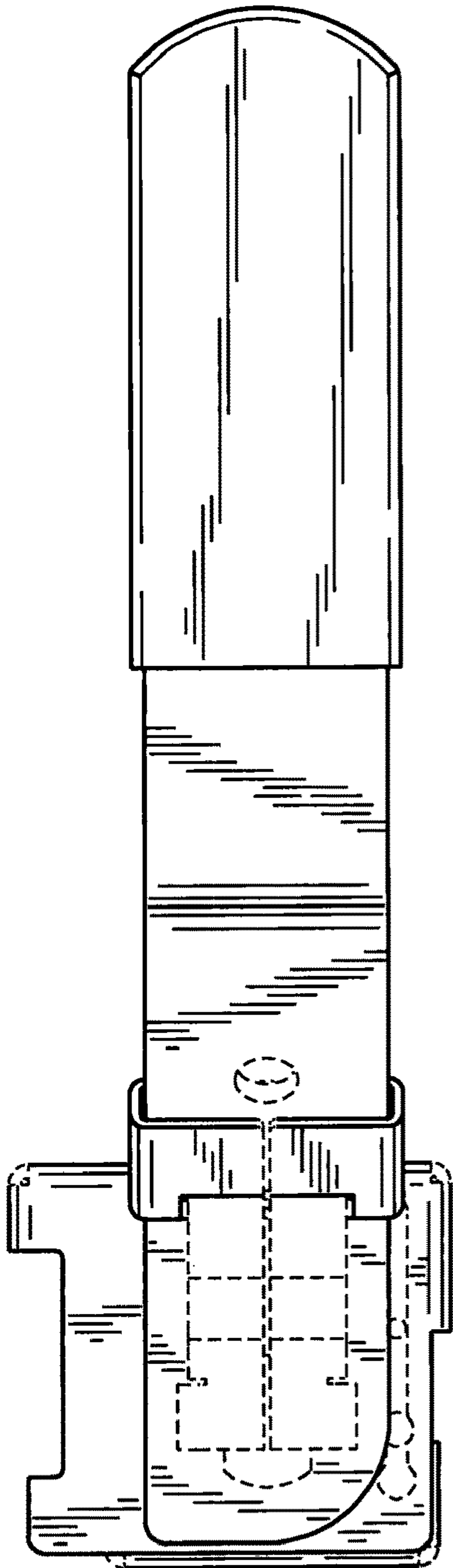
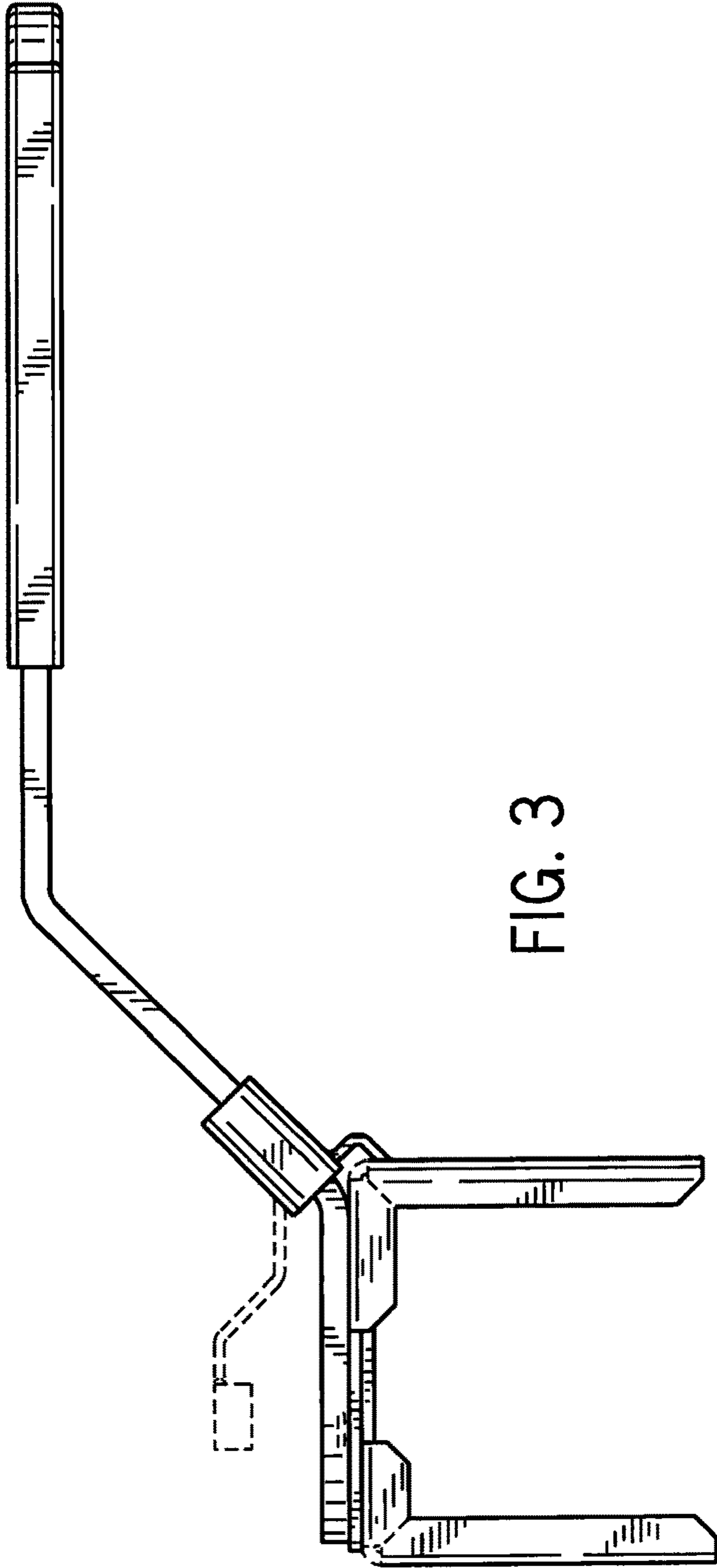


FIG. 3



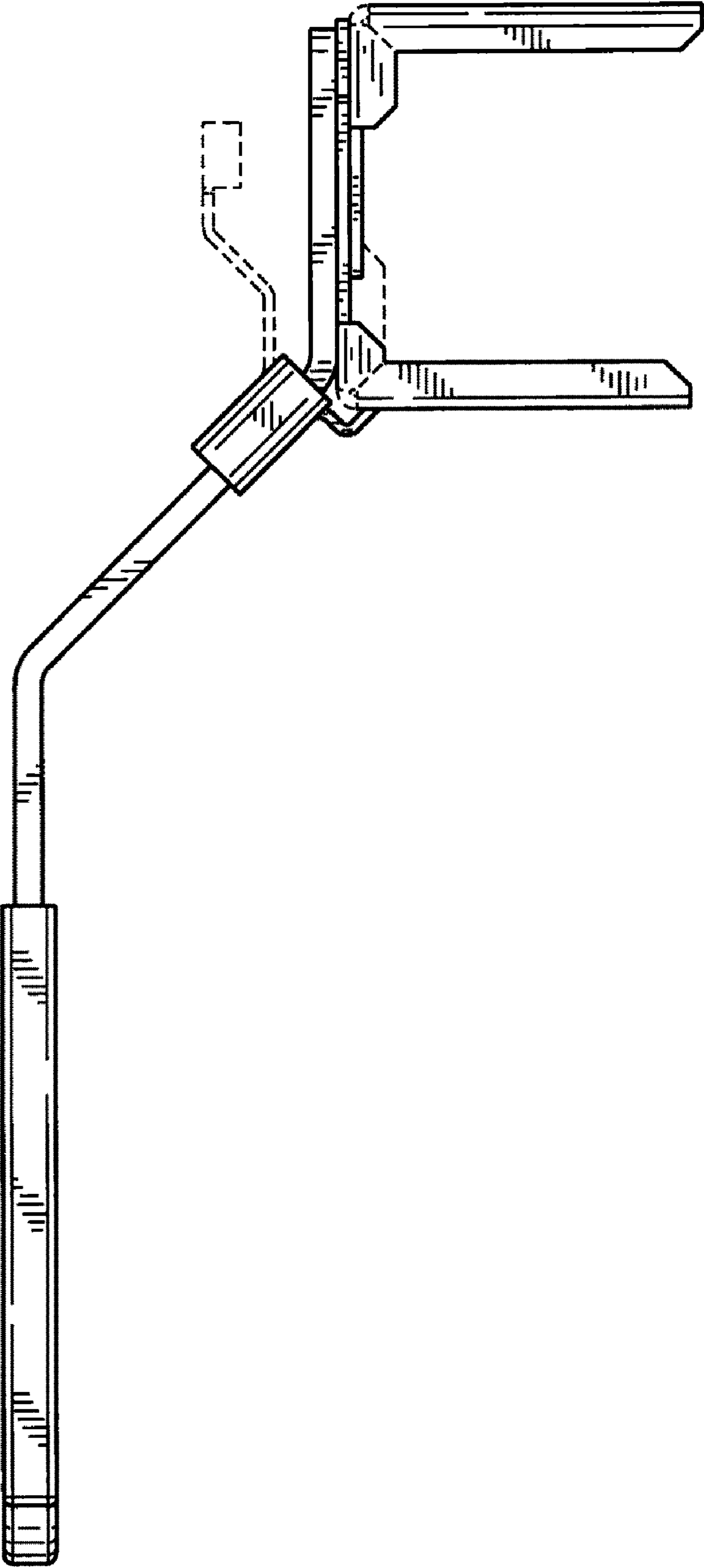


FIG. 4

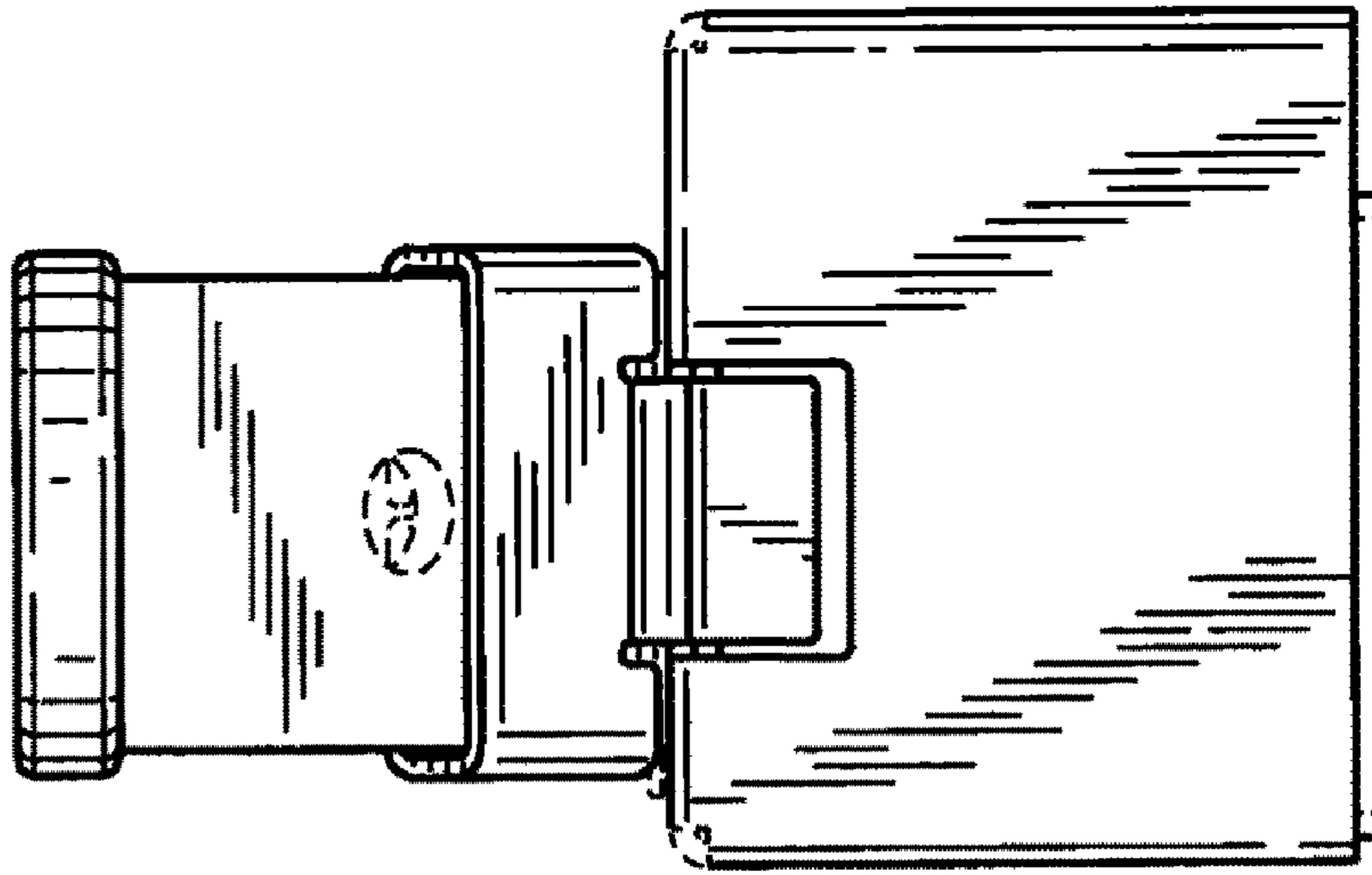


FIG. 6

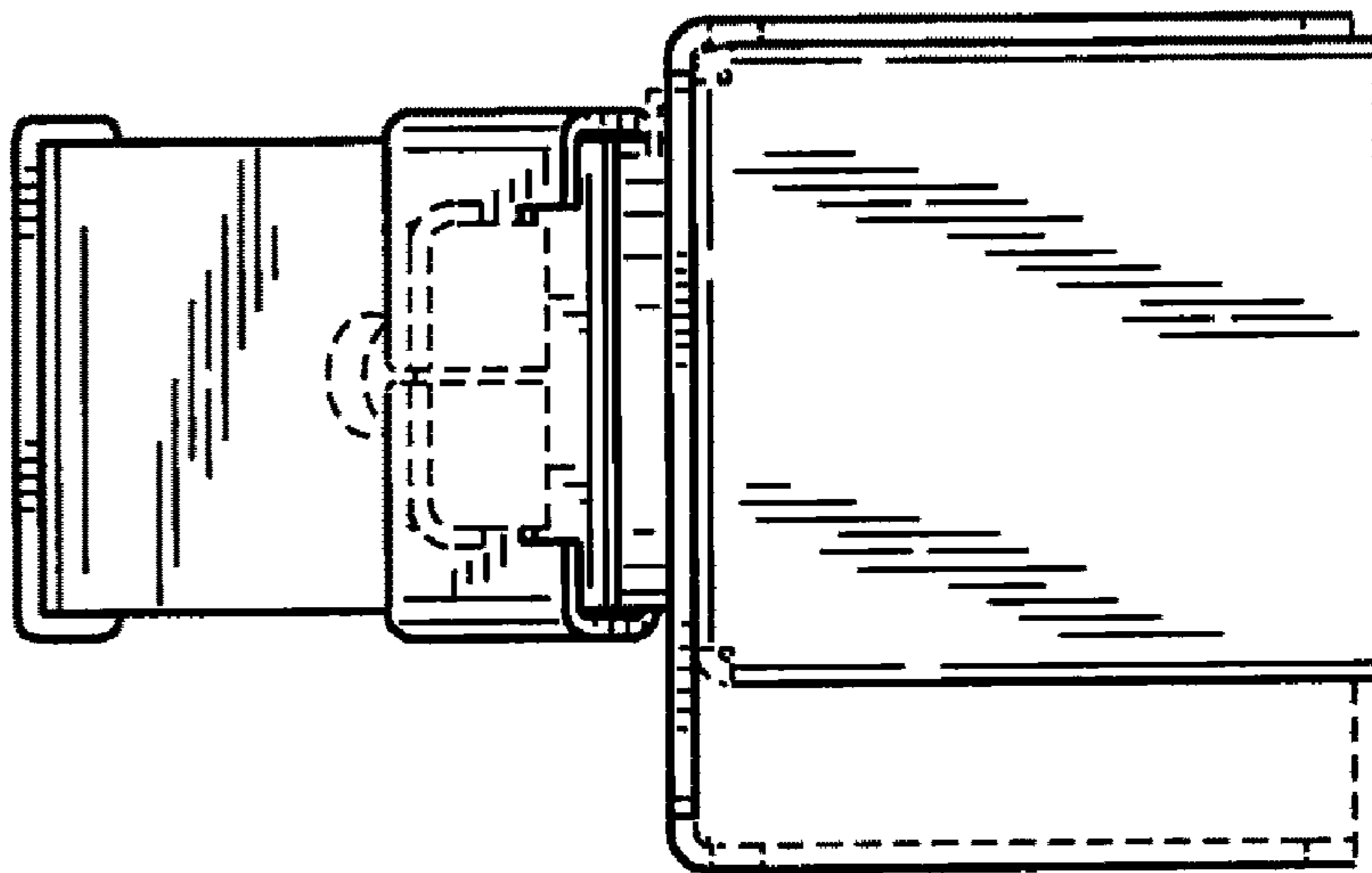


FIG. 5

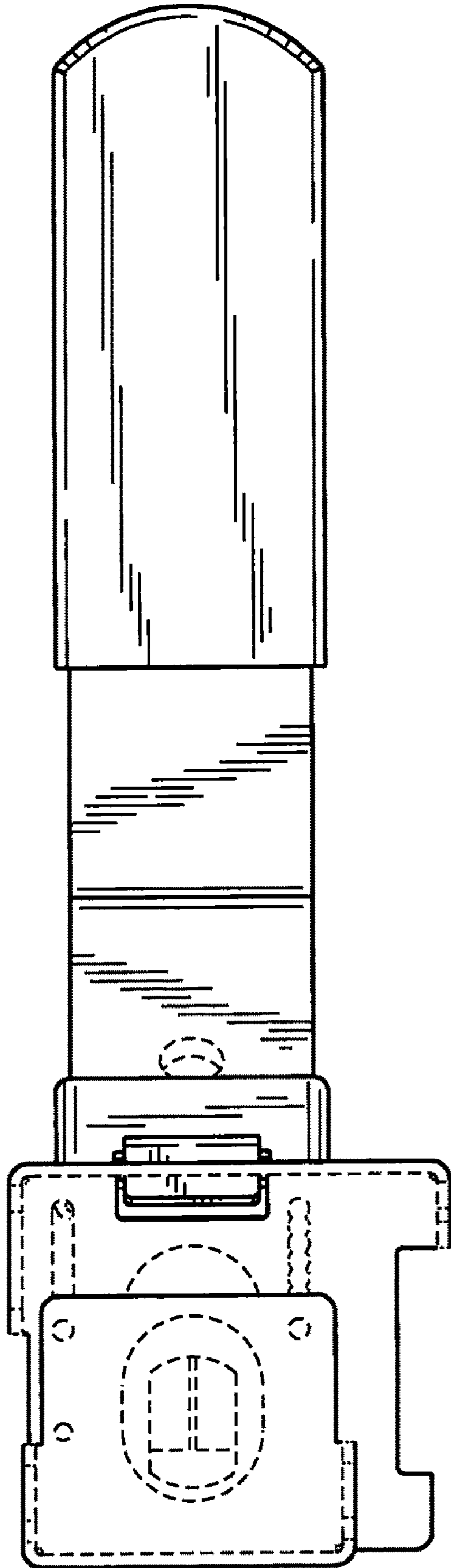


FIG. 7