

US00D663604S

(12) **United States Design Patent**
Rohde et al.

(10) **Patent No.:** **US D663,604 S**

(45) **Date of Patent:** **** Jul. 17, 2012**

(54) **LOCKOUT DEVICE**

(75) Inventors: **Christopher J. Rohde**, West Allis, WI (US); **Katherine T. Milbeck**, Whitefish Bay, WI (US); **Thomas J. Edwards**, Colgate, WI (US)

(73) Assignee: **Brady Worldwide, Inc.**, Milwaukee, WI (US)

(**) Term: **14 Years**

(21) Appl. No.: **29/403,405**

(22) Filed: **Oct. 5, 2011**

(51) **LOC (9) Cl.** **08-07**

(52) **U.S. Cl.** **D8/331; D8/343**

(58) **Field of Classification Search** D8/330, D8/331, 336, 339, 343, 349.4, 499; 70/14, 70/1.5, 1.7, 51, 52, 416, 419, 420, 431, 57.1, 70/141, 439, 440; 292/289, 290, 292, 298, 292/359

See application file for complete search history.

(56) **References Cited**

U.S. PATENT DOCUMENTS

D365,547	S *	12/1995	Steinwachs et al.	D13/178
5,500,475	A *	3/1996	Eicken et al.	524/591
6,617,532	B1 *	9/2003	Turek	200/43.14
6,696,651	B1 *	2/2004	Koopmeiners et al.	200/43.14
6,957,556	B1 *	10/2005	Ha	70/491
D535,629	S *	1/2007	Kalous et al.	D13/178
7,261,376	B2 *	8/2007	Kespohl	297/256.13

D564,337	S *	3/2008	Brojanac et al.	D8/330
D564,859	S *	3/2008	Brojanac et al.	D8/330
D579,311	S *	10/2008	Janethana-arthakij	D8/330

* cited by examiner

Primary Examiner — Prabhakar Deshmukh

(74) *Attorney, Agent, or Firm* — Quarles & Brady LLP

(57) **CLAIM**

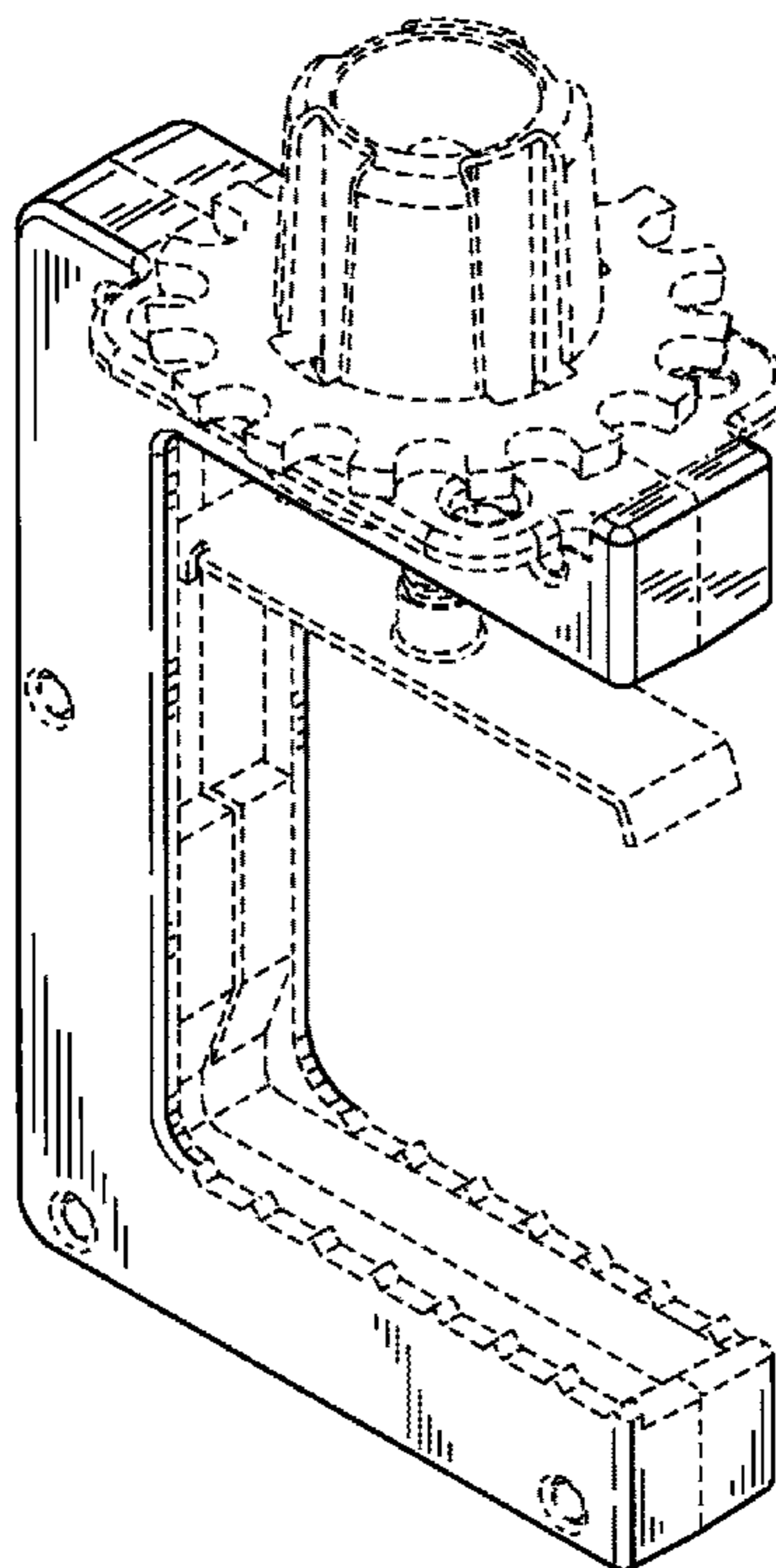
The ornamental design for a lockout device, as shown and described.

DESCRIPTION

FIG. 1 is a right, top, front perspective view of a lockout device embodying our new design;
 FIG. 2 is a front elevational view thereof;
 FIG. 3 is a rear elevational view thereof;
 FIG. 4 is a right side elevational view thereof;
 FIG. 5 is a left side elevational view thereof;
 FIG. 6 is a top plan view thereof;
 FIG. 7 is bottom plan view thereof;
 FIG. 8 is a perspective view of another embodiment of a lockout device;
 FIG. 9 is a front elevational view thereof;
 FIG. 10 is a rear elevational view thereof;
 FIG. 11 is a right side elevational view thereof;
 FIG. 12 is a left side elevational view thereof;
 FIG. 13 is a top plan view thereof; and,
 FIG. 14 is bottom plan view thereof.

The broken line representations in the figures are for the purpose of illustration only, and form no part of the claimed design.

1 Claim, 10 Drawing Sheets



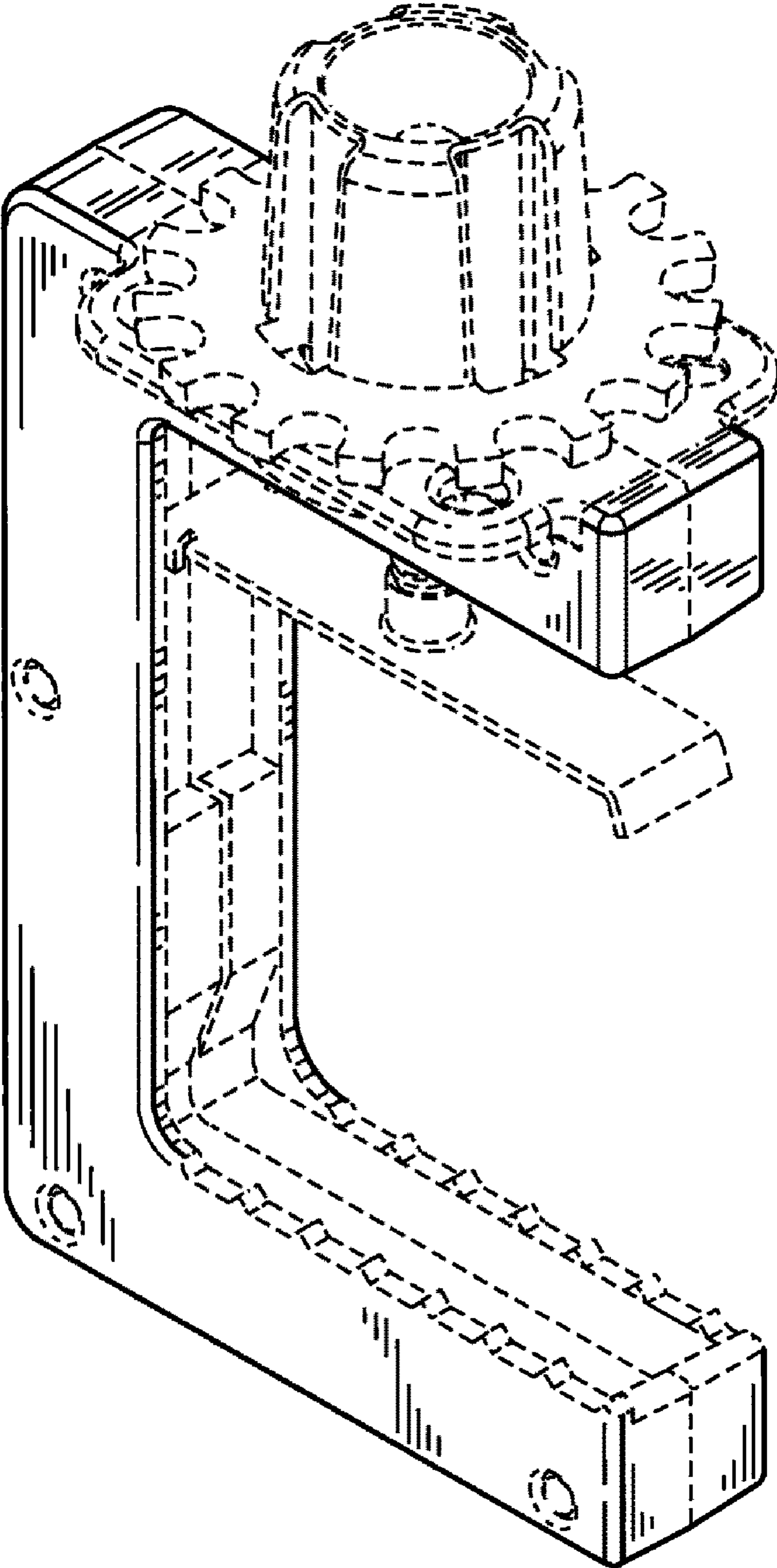


FIG. 1

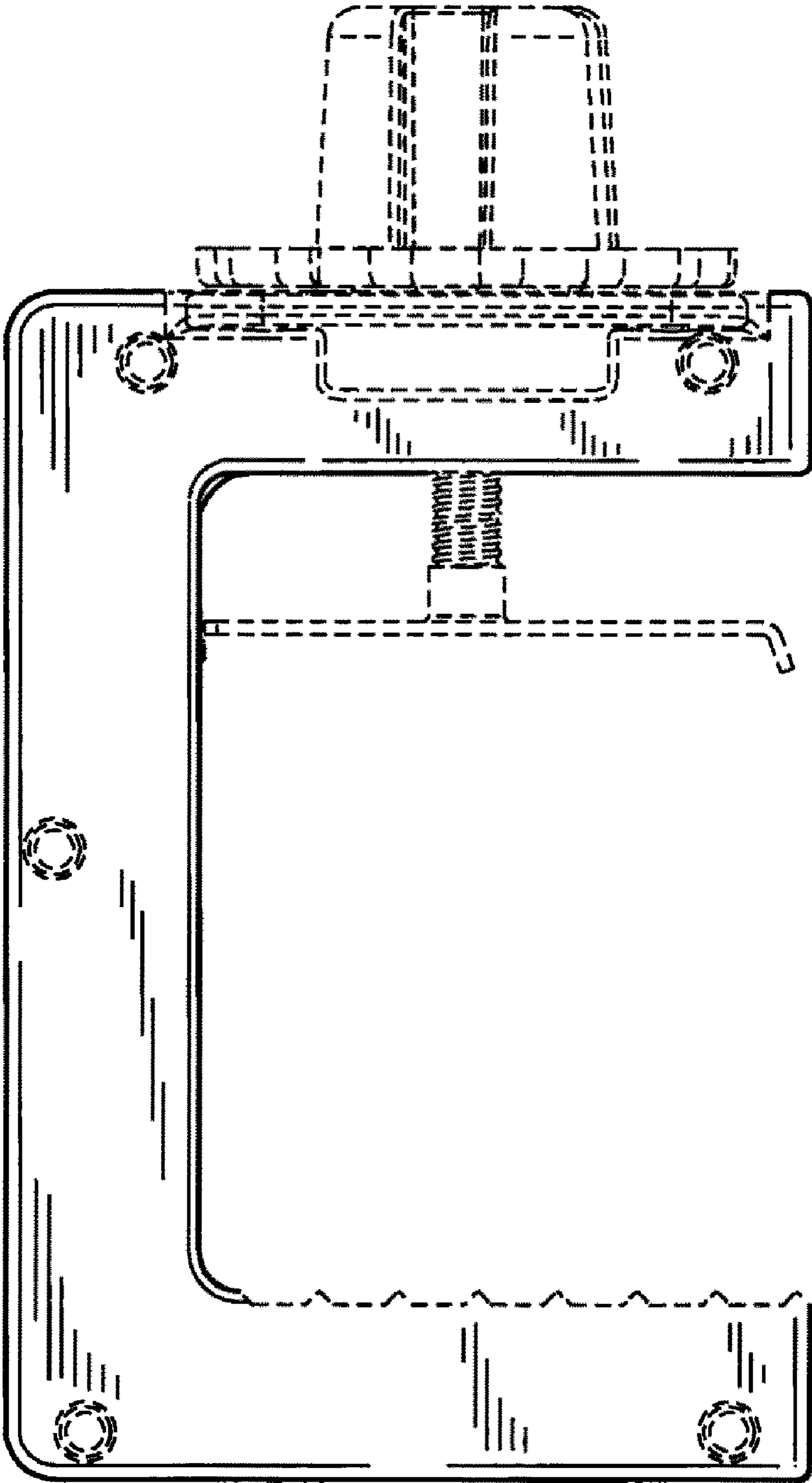


FIG. 2

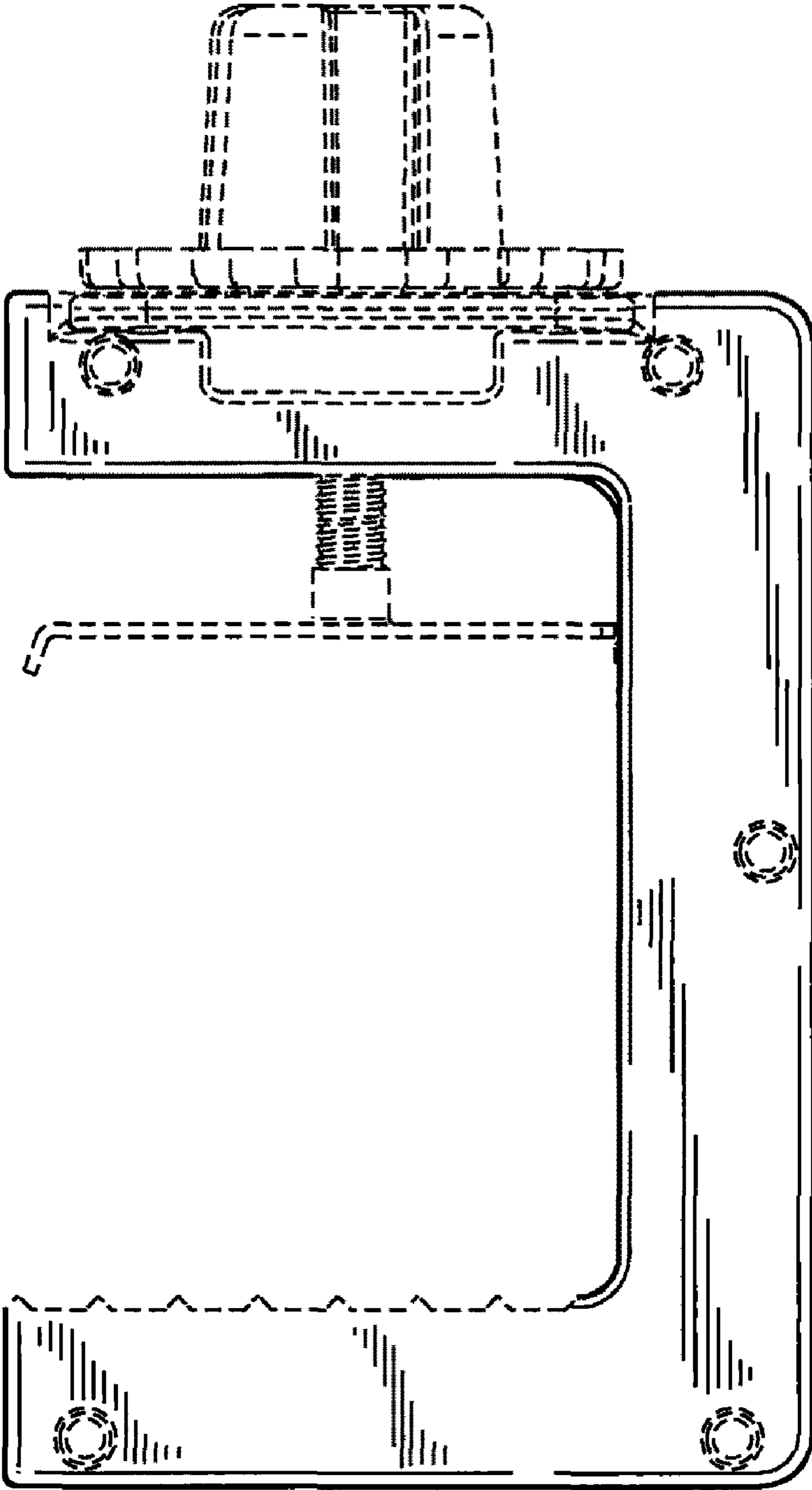


FIG. 3

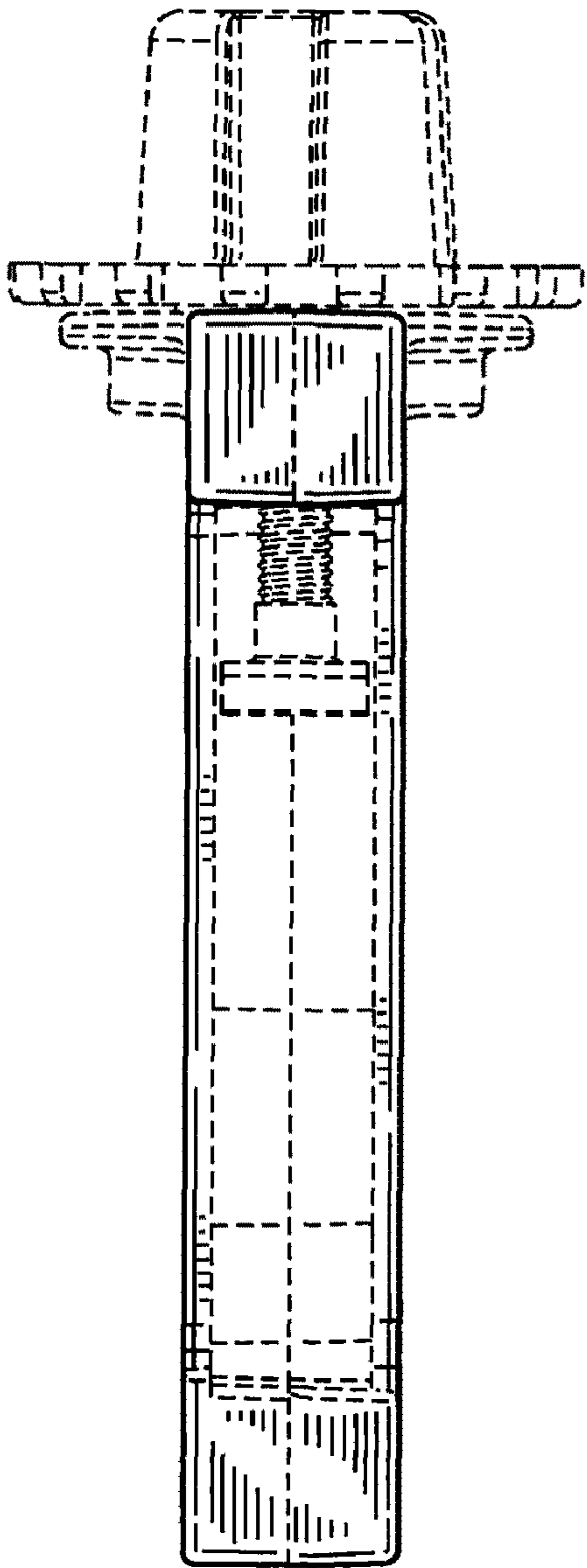


FIG. 4

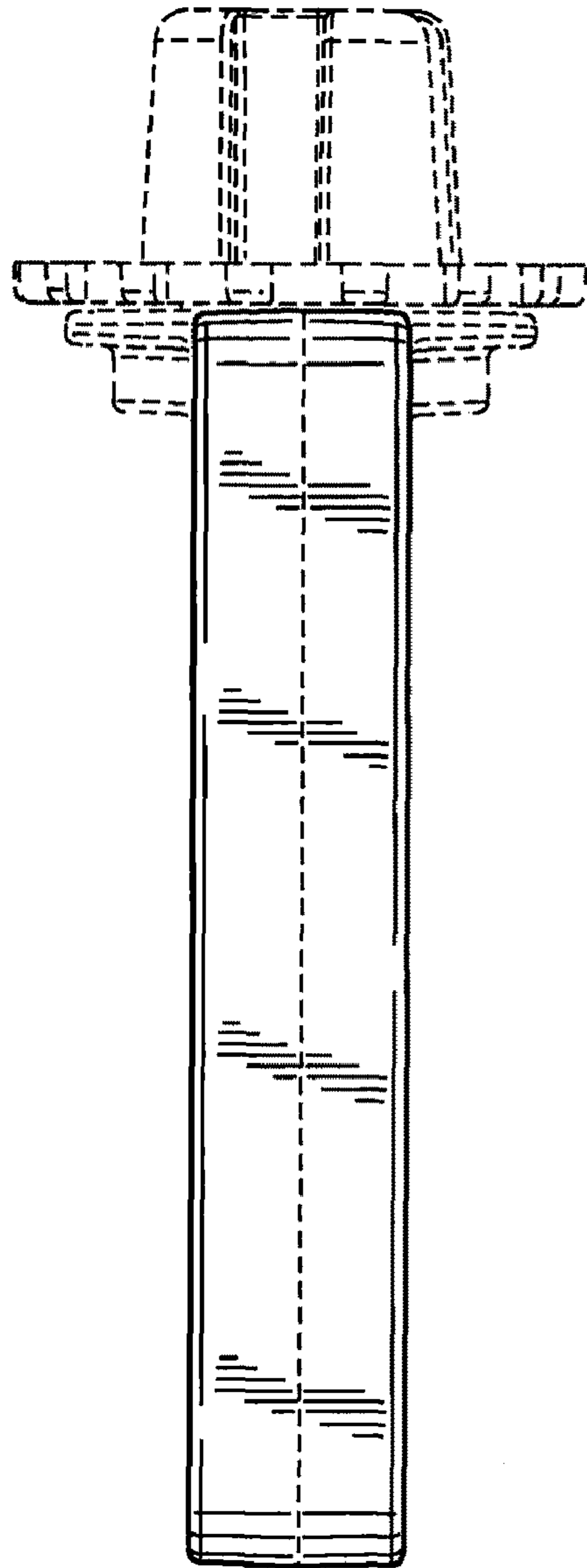


FIG. 5

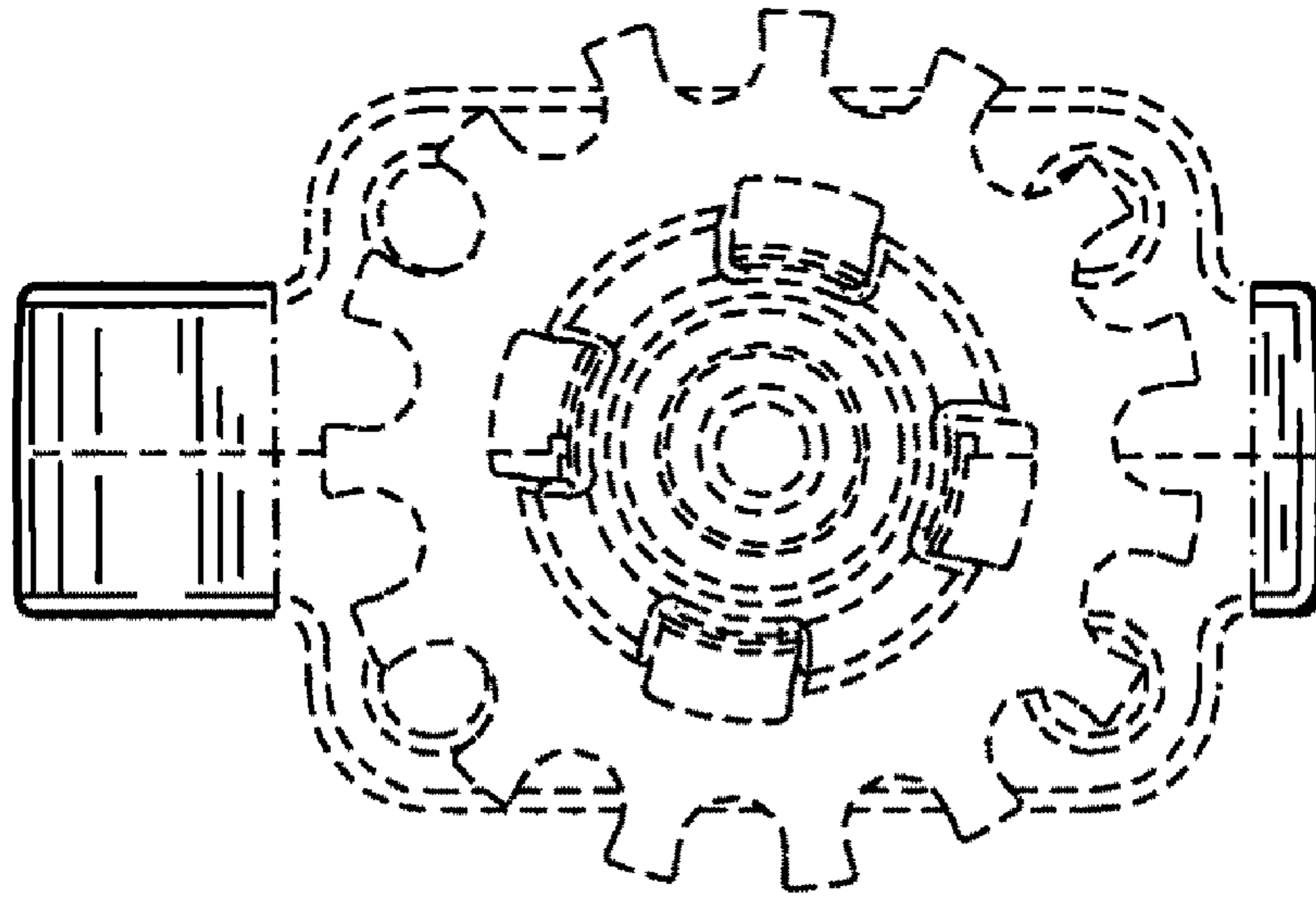


FIG. 6

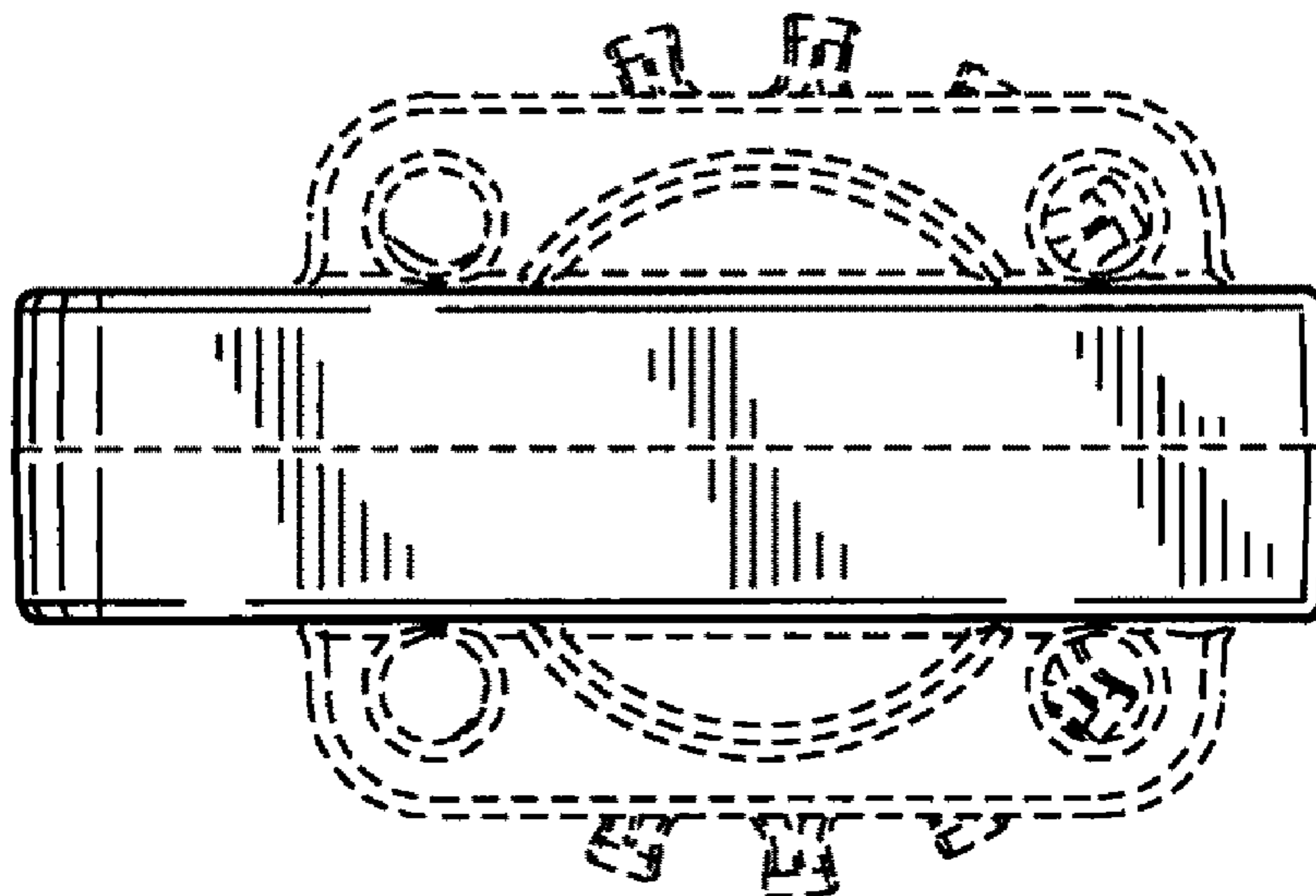


FIG. 7

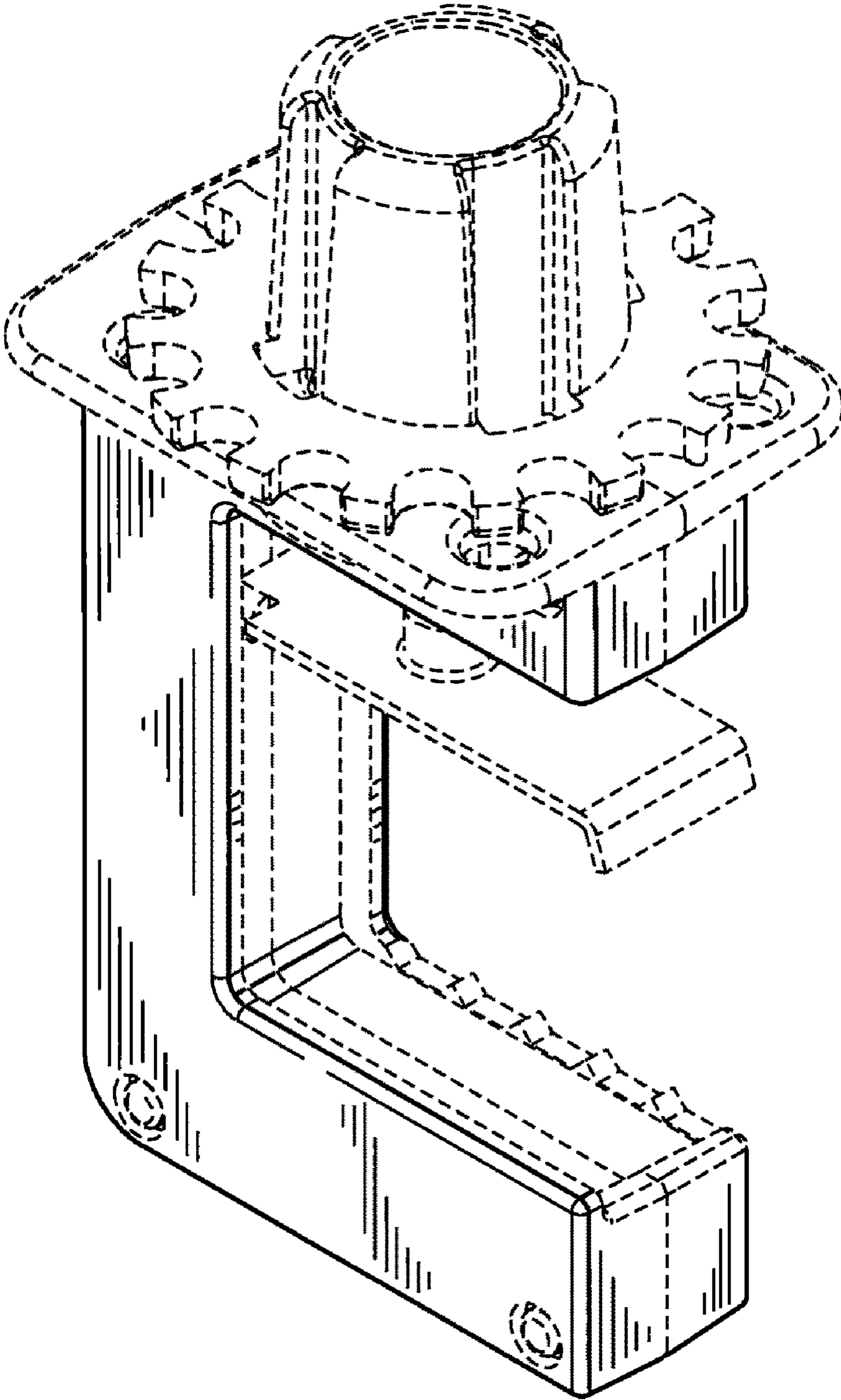


FIG. 8

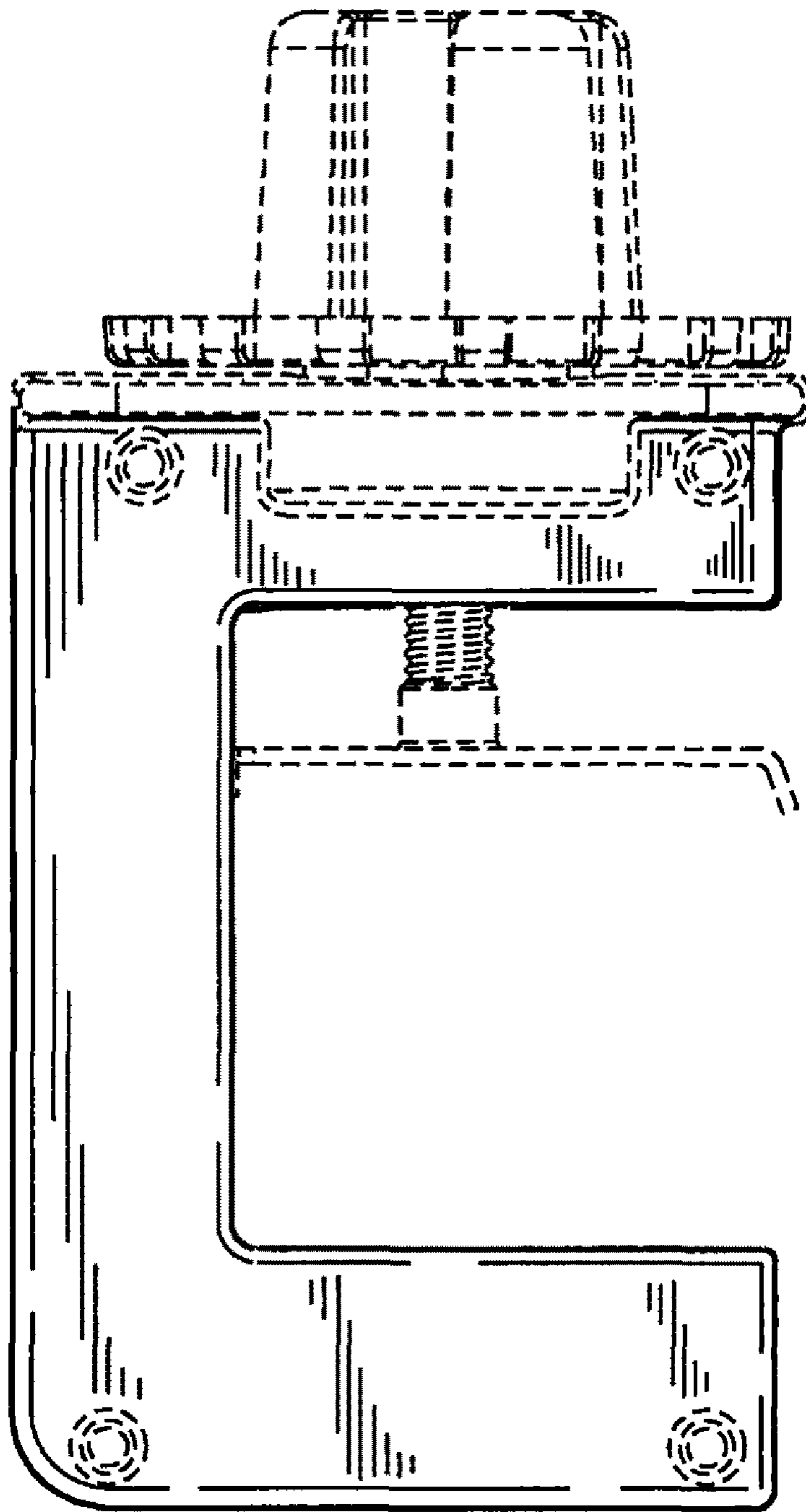


FIG. 9

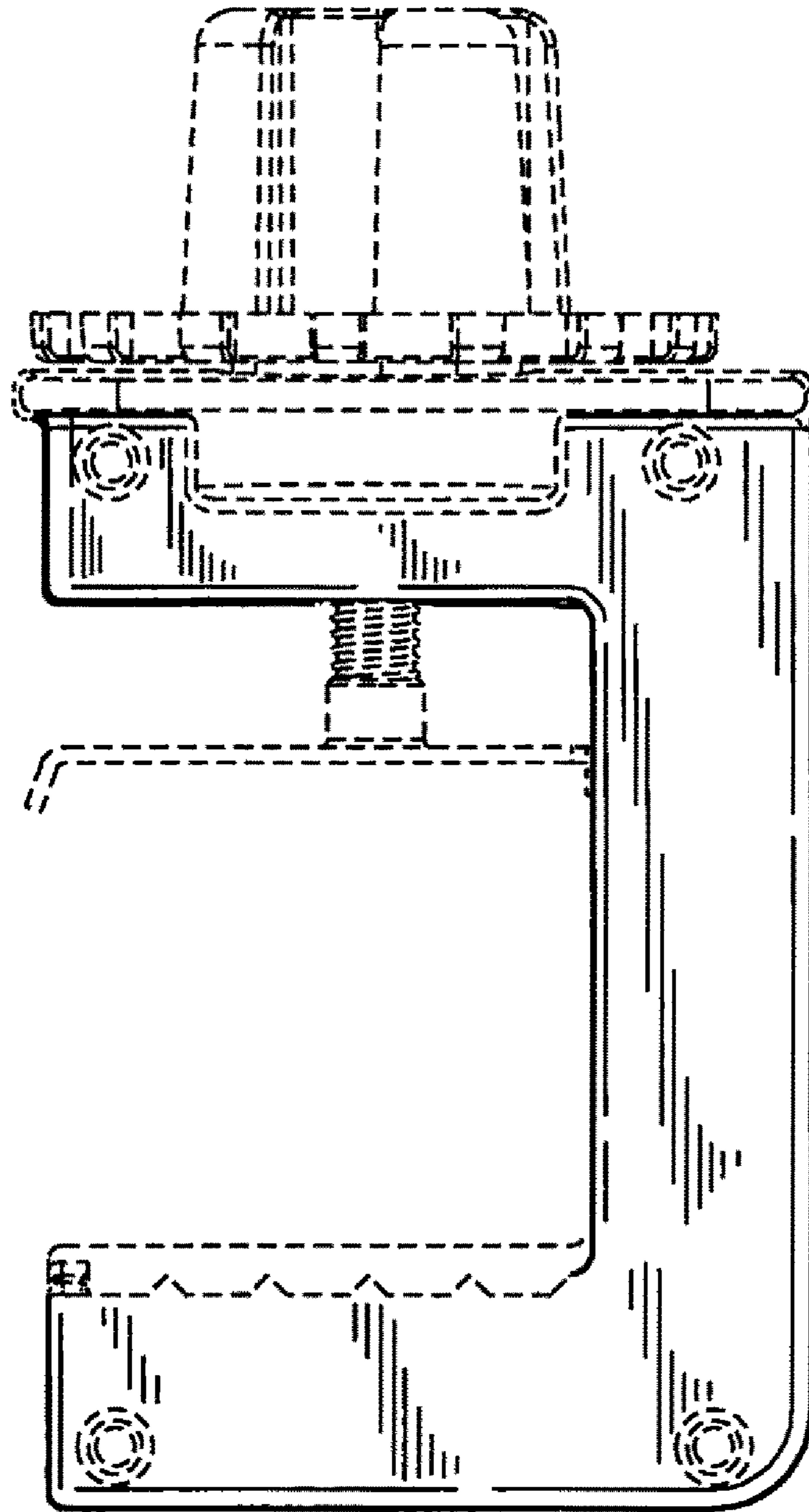


FIG. 10

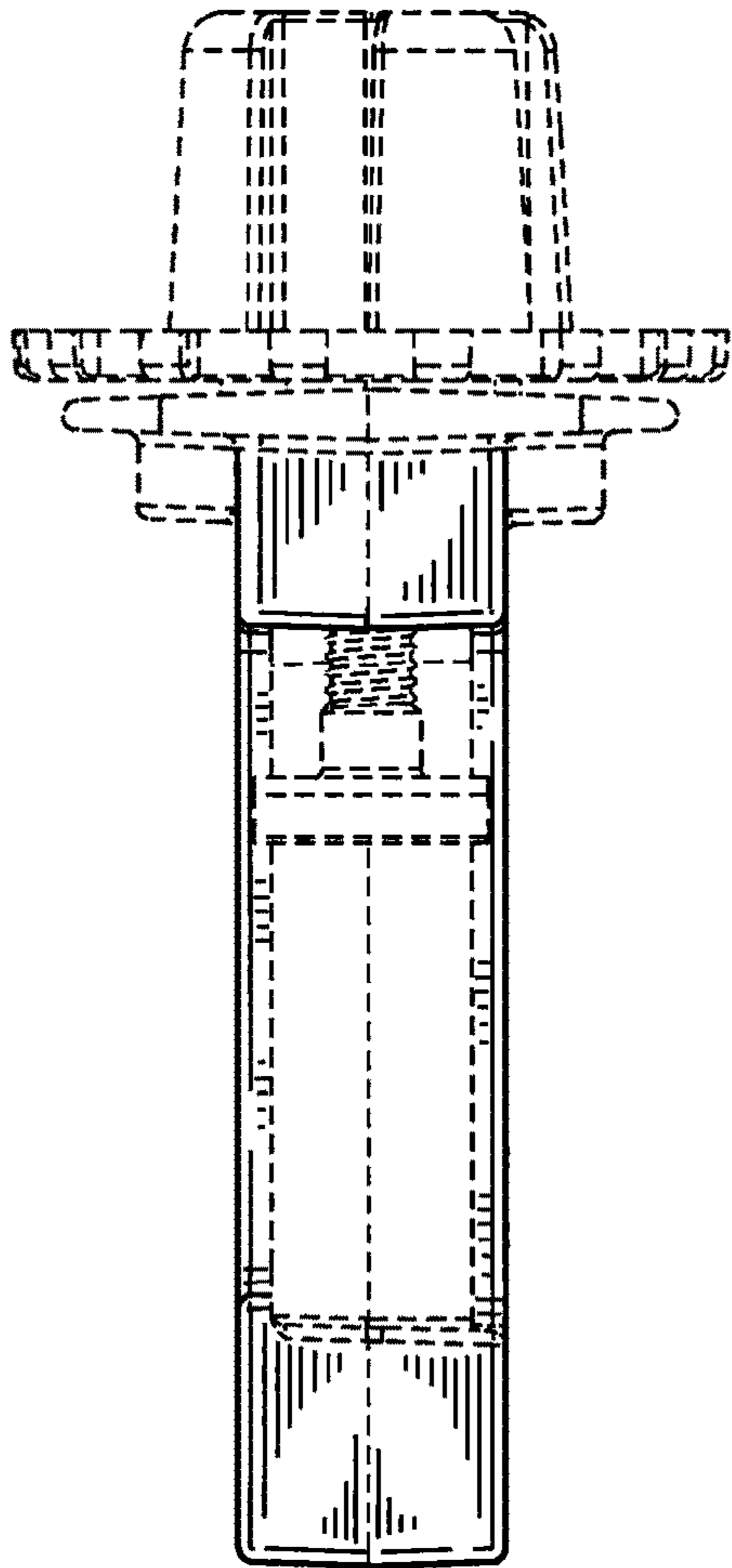


FIG. 11

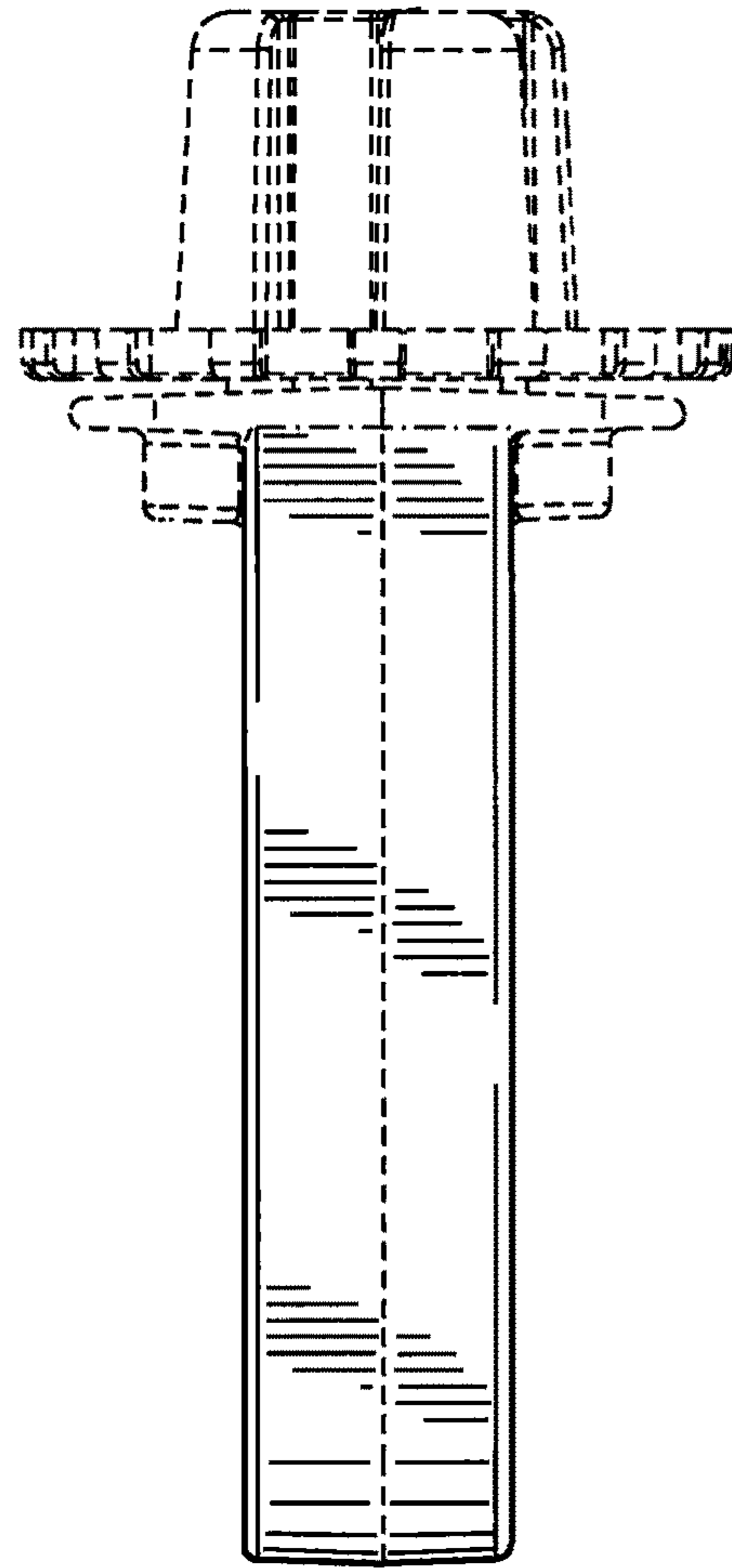


FIG. 12

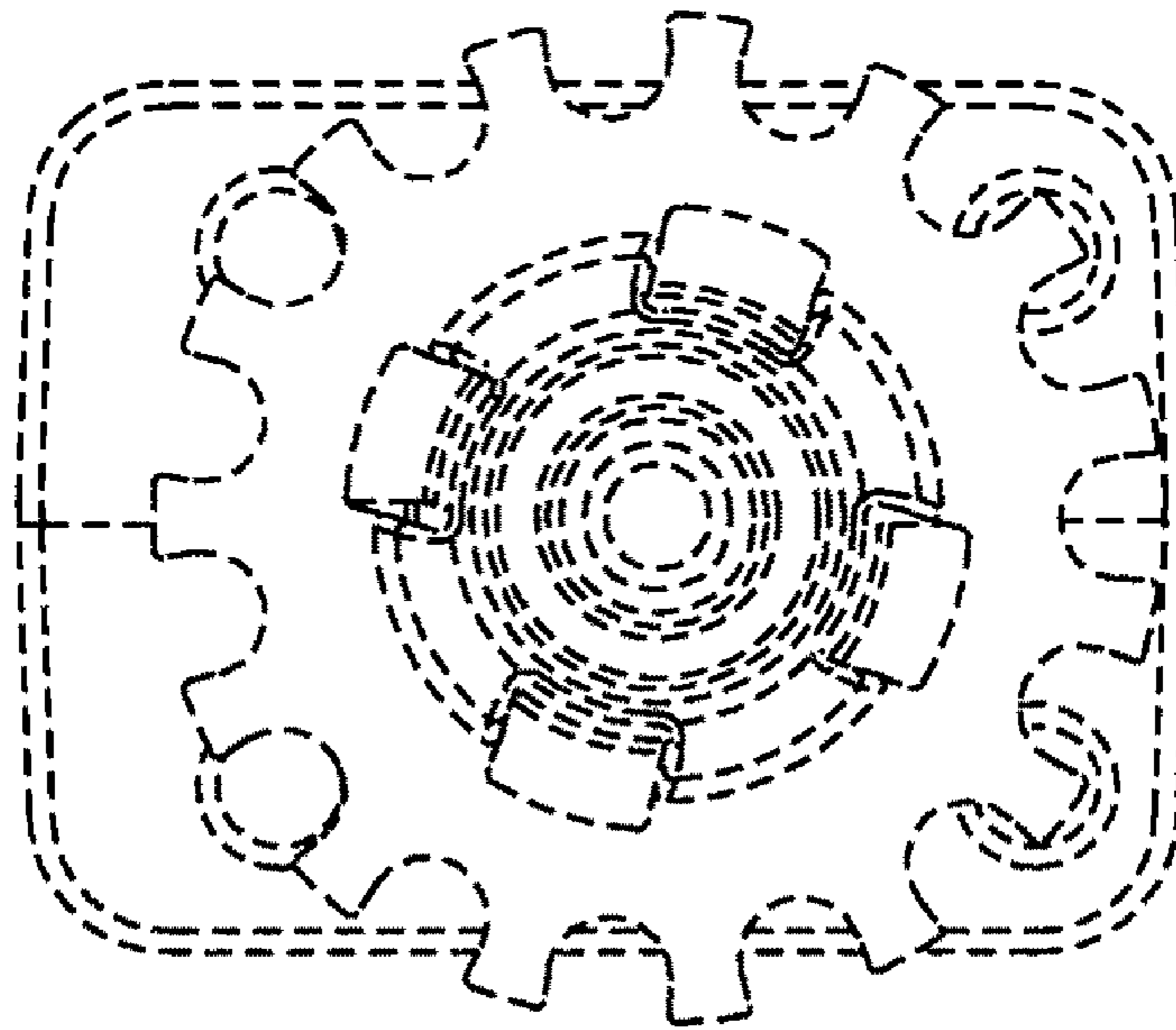


FIG. 13

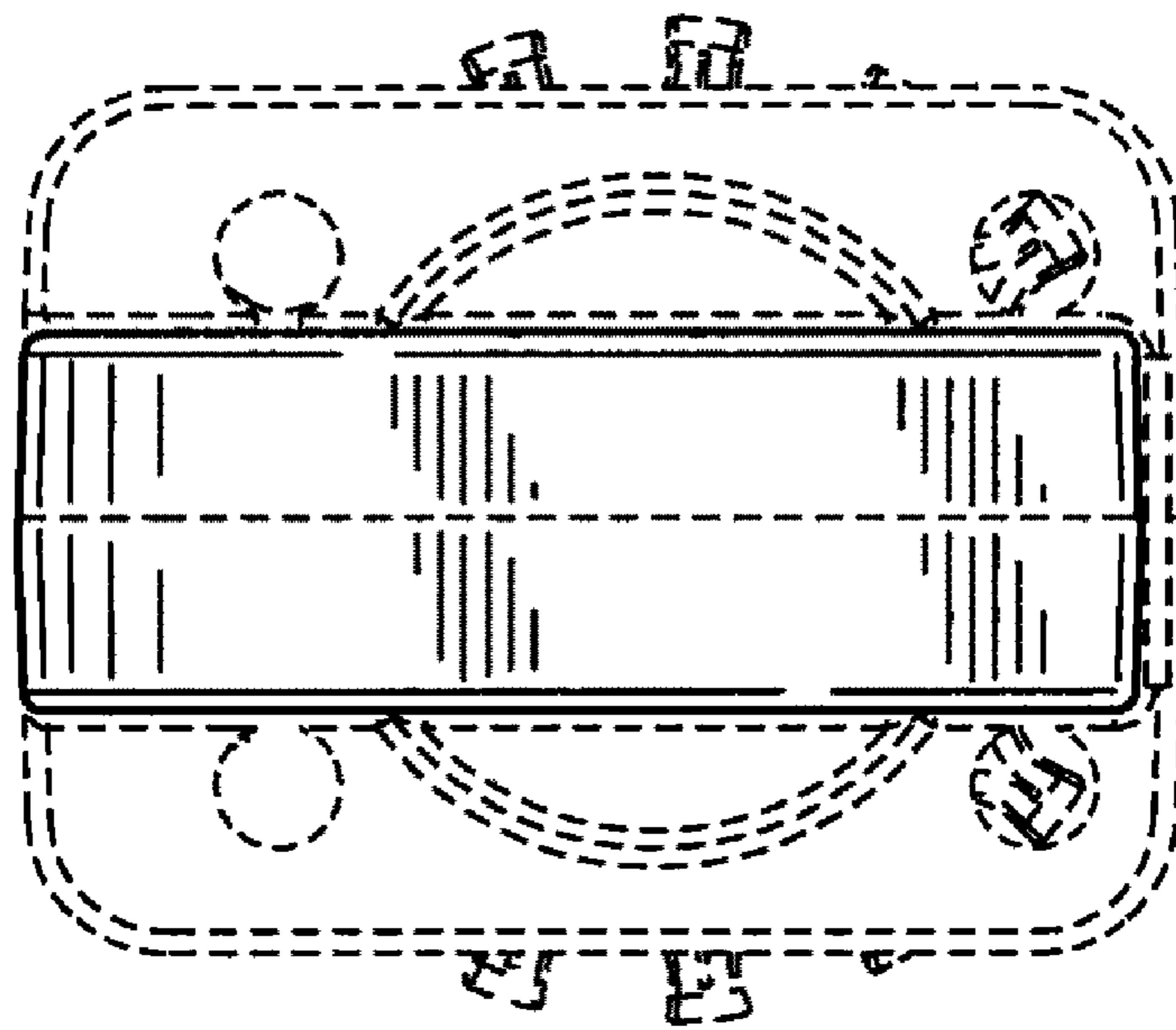


FIG. 14