



US00D663600S

(12) **United States Design Patent**
Okuda et al.

(10) **Patent No.:** **US D663,600 S**
(45) **Date of Patent:** **** Jul. 17, 2012**

(54) **PORTABLE CUTTER**

(75) Inventors: **Shinsuke Okuda**, Aichi (JP); **Katsumi Okouchi**, Aichi (JP)

(73) Assignee: **Makita Corporation**, Anjo-shi (JP)

(**) Term: **14 Years**

(21) Appl. No.: **29/410,955**

(22) Filed: **Jan. 13, 2012**

(30) **Foreign Application Priority Data**

Aug. 10, 2011 (JP) 2011-018273

(51) **LOC (9) Cl.** **08-03**

(52) **U.S. Cl.** **D8/66**

(58) **Field of Classification Search** D8/69,
D8/68, 67, 66, 64, 61, 70; 83/698.41, 747,
83/166.3, 374, 373, 375, 376, 391, 377, 390,
83/388, 389; 30/122, 124, 329; 144/218;
D21/532

See application file for complete search history.

(56) **References Cited**

U.S. PATENT DOCUMENTS

5,540,210	A *	7/1996	Jones	125/13.01
5,826,478	A *	10/1998	Zerrer	83/169
5,855,067	A *	1/1999	Taomo et al.	30/122
6,374,501	B1 *	4/2002	Claesson	30/389
6,546,631	B2 *	4/2003	Iida et al.	30/124
6,591,826	B1 *	7/2003	Donnerdal	125/13.01
6,916,236	B2 *	7/2005	Terpstra	451/358
7,101,295	B2 *	9/2006	Taomo et al.	474/117
D530,175	S *	10/2006	Arvidsson et al.	D8/66
7,131,897	B2 *	11/2006	Crover	451/311
7,137,877	B2 *	11/2006	Uhl et al.	451/358
D533,039	S *	12/2006	Arvidsson et al.	D8/66

D533,757	S *	12/2006	Arvidsson et al.	D8/66
D561,551	S *	2/2008	Tinius	D8/66
D579,742	S *	11/2008	Arvidsson et al.	D8/66
D596,912	S *	7/2009	Arvidsson et al.	D8/66
D609,070	S *	2/2010	Tinius	D8/62
D640,110	S *	6/2011	Tinius	D8/65
D644,081	S *	8/2011	Rettenweber	D8/66
D648,998	S *	11/2011	Sell	D8/66
2001/0003983	A1 *	6/2001	Iida et al.	125/13.01

OTHER PUBLICATIONS

Makita General Catalogue, Professional Power Tools and Accessories, "Power Cutter, DPC 6200", 2000/2001, p. 94 (English language).

* cited by examiner

Primary Examiner — Austin Murphy

(74) *Attorney, Agent, or Firm* — Posz Law Group, PLC

(57) **CLAIM**

The ornamental design for a portable cutter, as shown and described.

DESCRIPTION

FIG. 1 is a perspective view of top, front, and right side of a portable cutter showing our new design;

FIG. 2 is a front view thereof;

FIG. 3 is a rear view thereof;

FIG. 4 is a right side view thereof;

FIG. 5 is a left side view thereof;

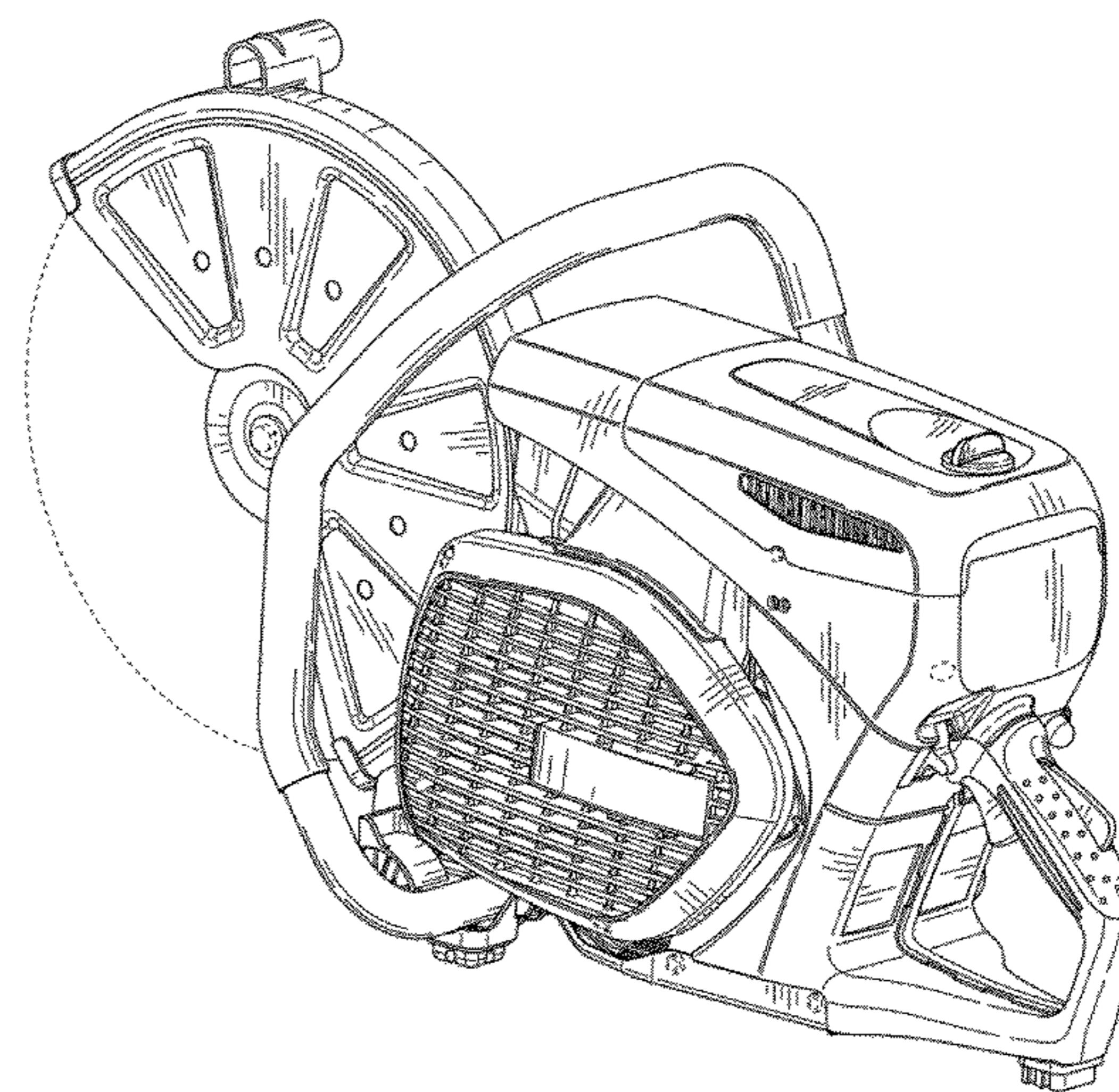
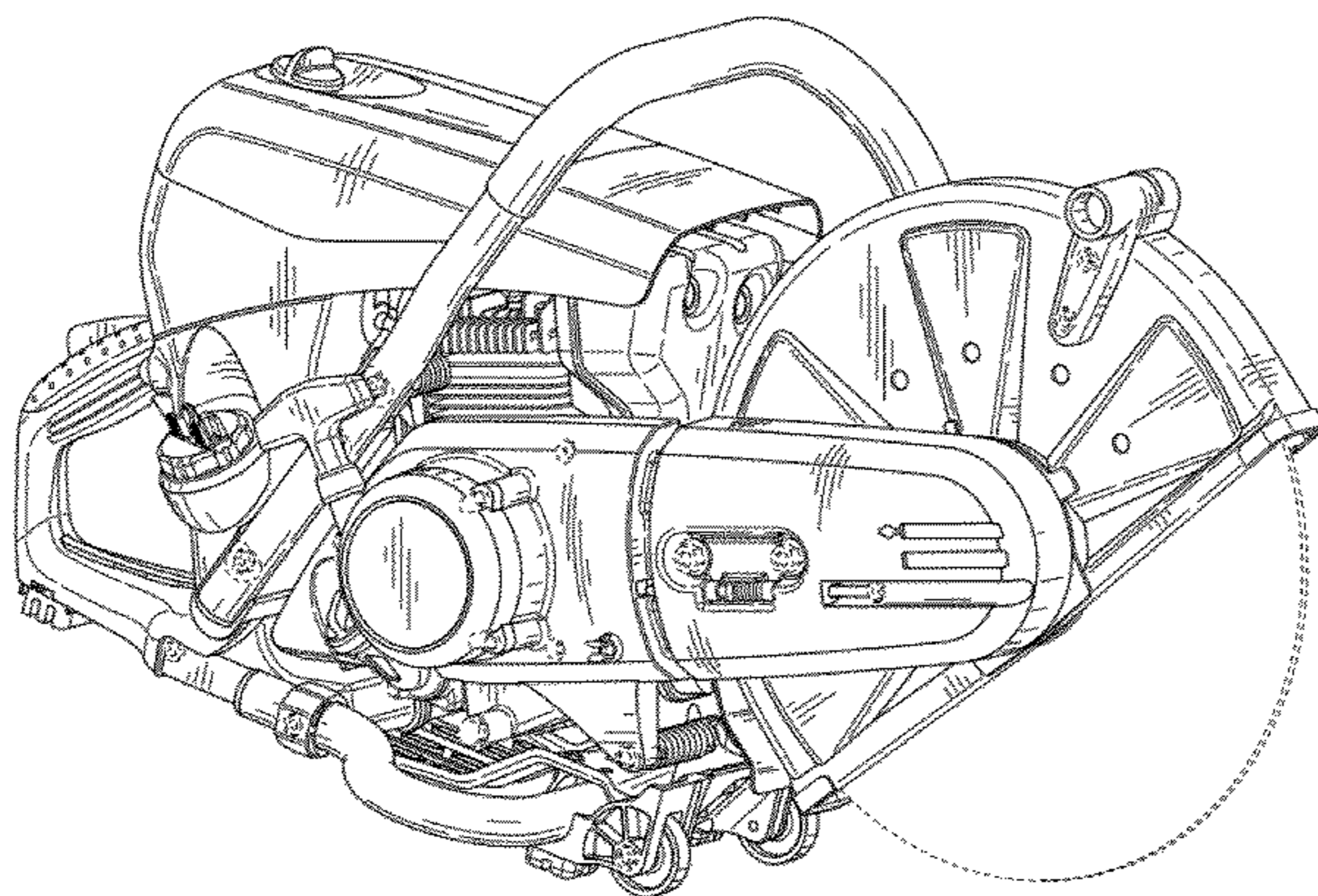
FIG. 6 is a top plan view thereof;

FIG. 7 is a bottom view thereof; and,

FIG. 8 is an alternate perspective view thereof.

The broken lines and the areas within the broken lines are included for illustrative purposes only and form no part of the claimed design.

1 Claim, 8 Drawing Sheets



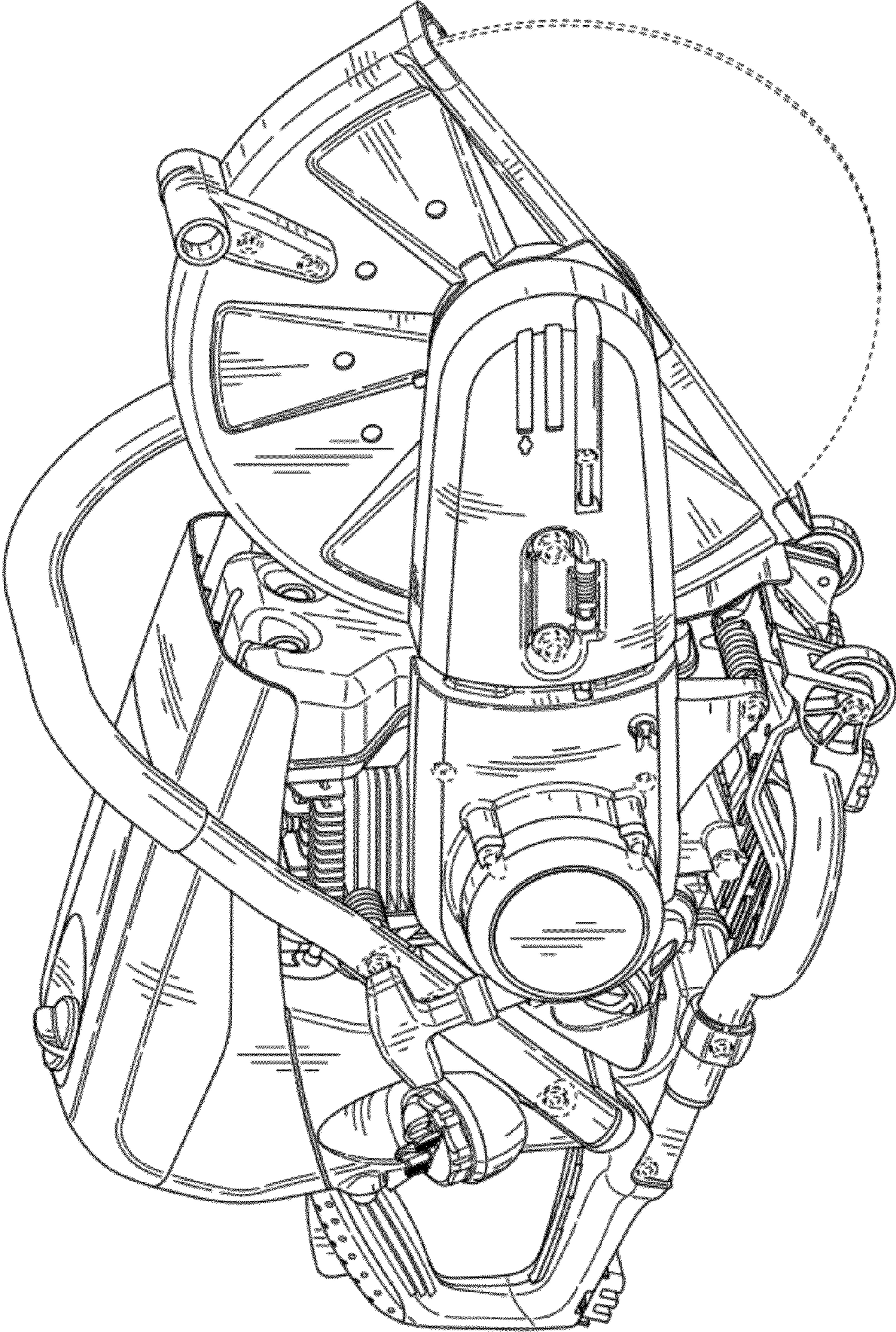


FIG. 1

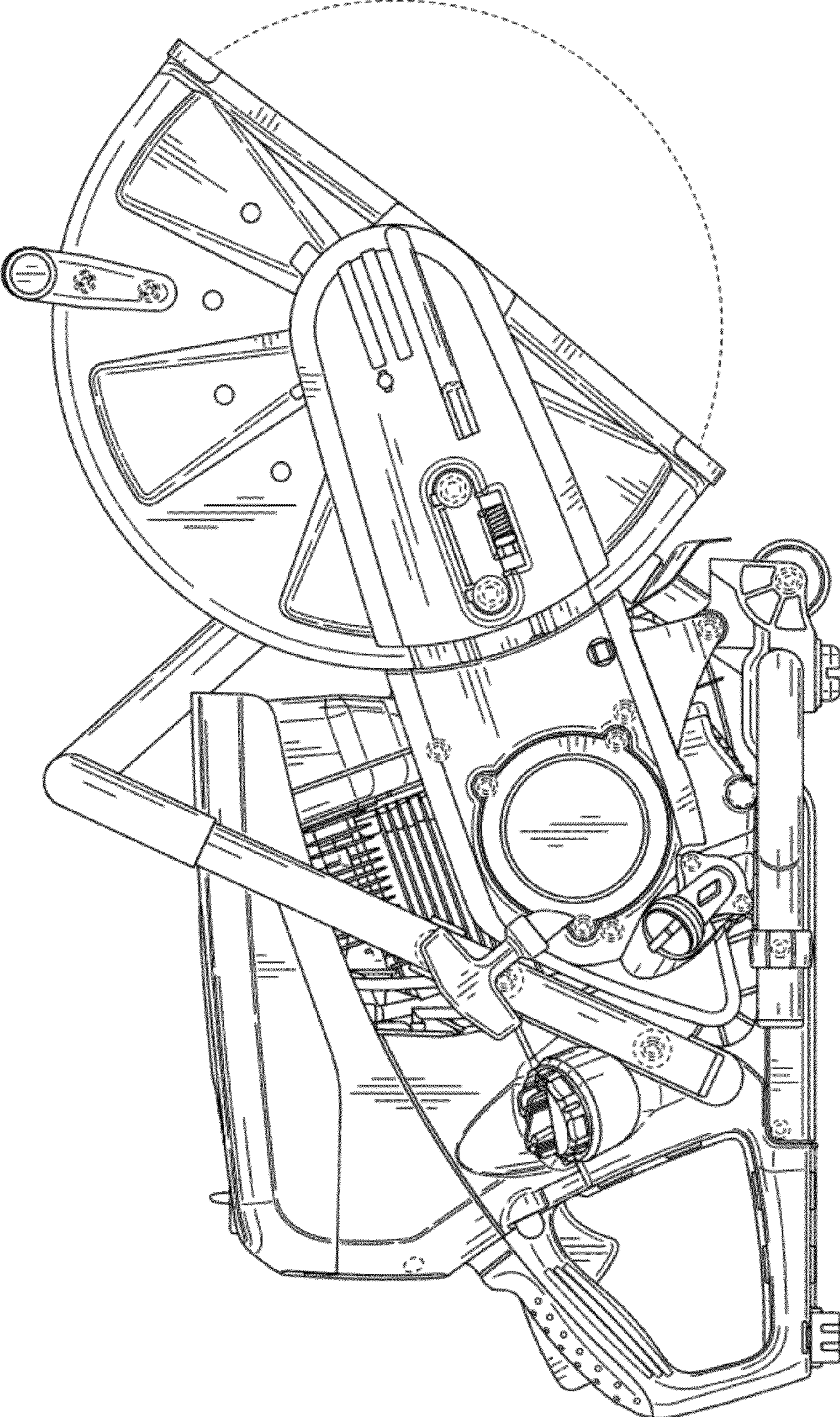


FIG. 2

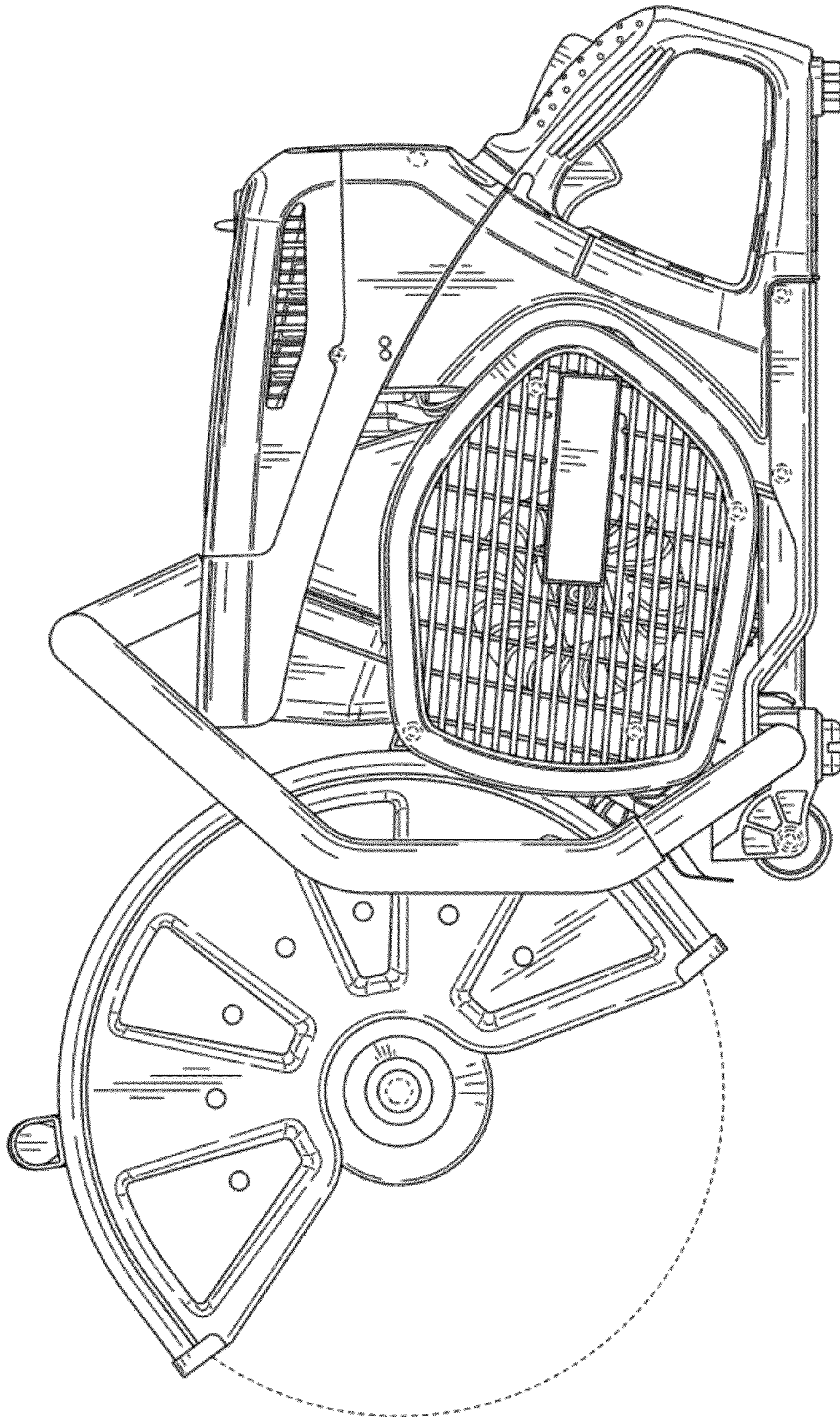


FIG. 3

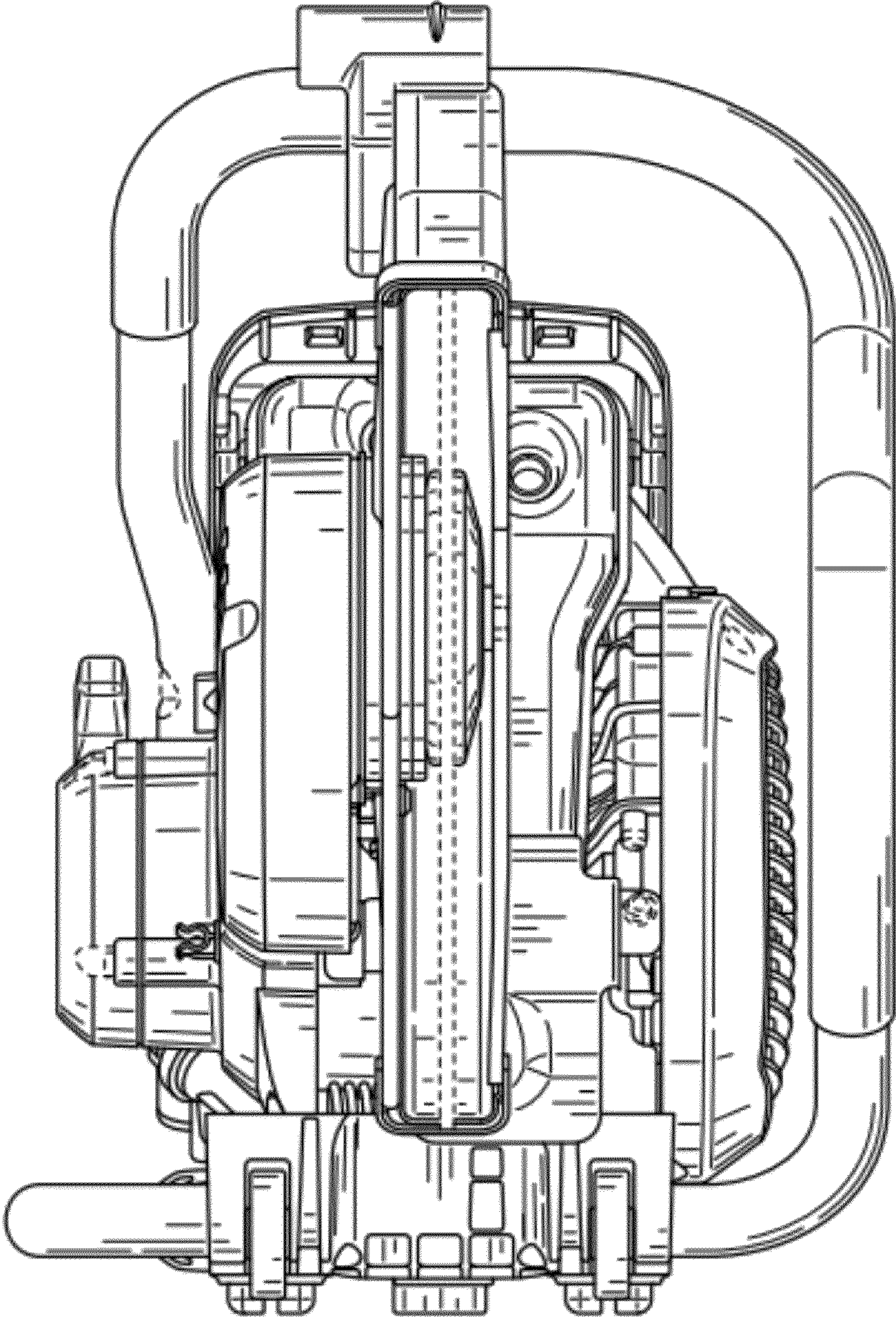


FIG. 4

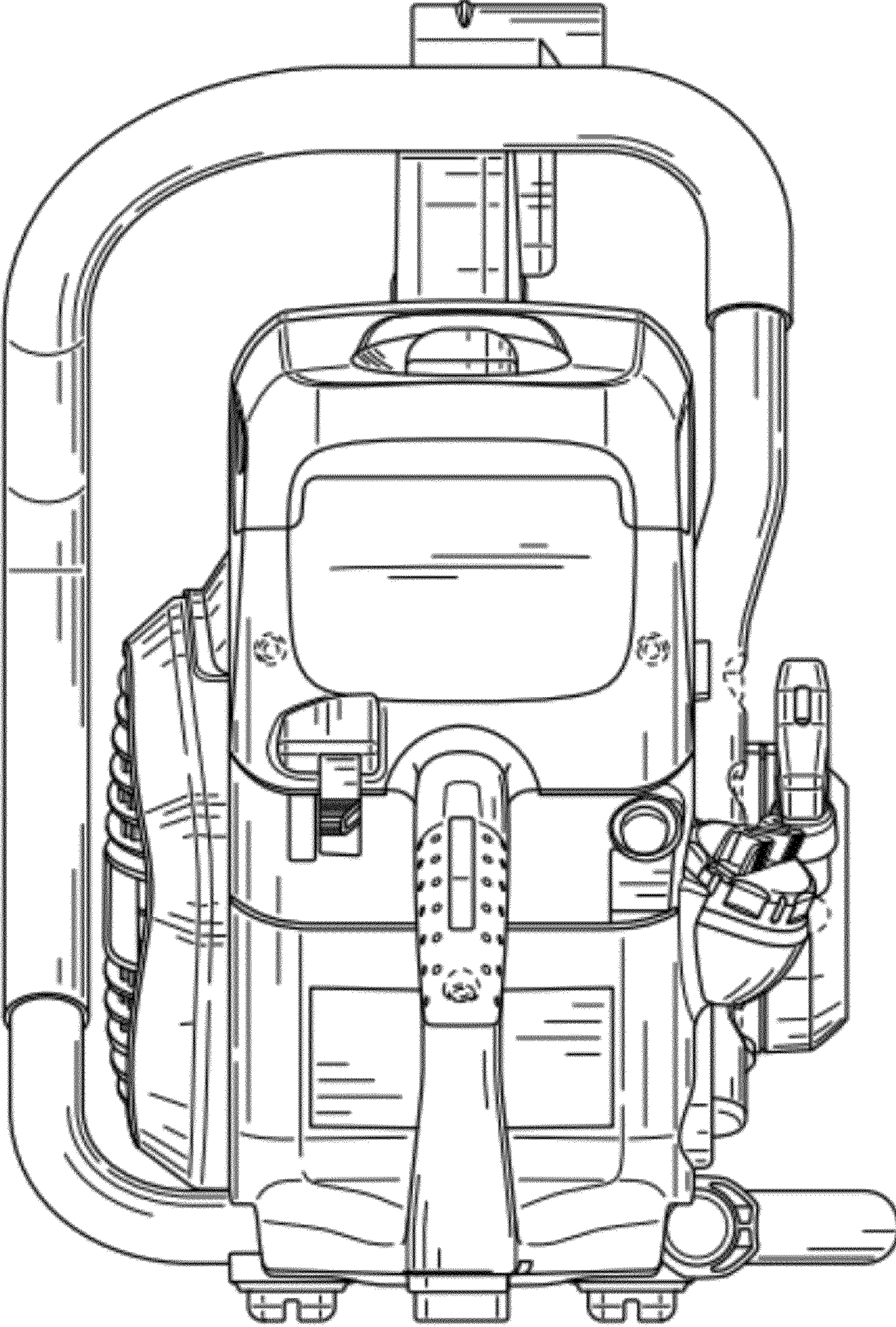


FIG. 5

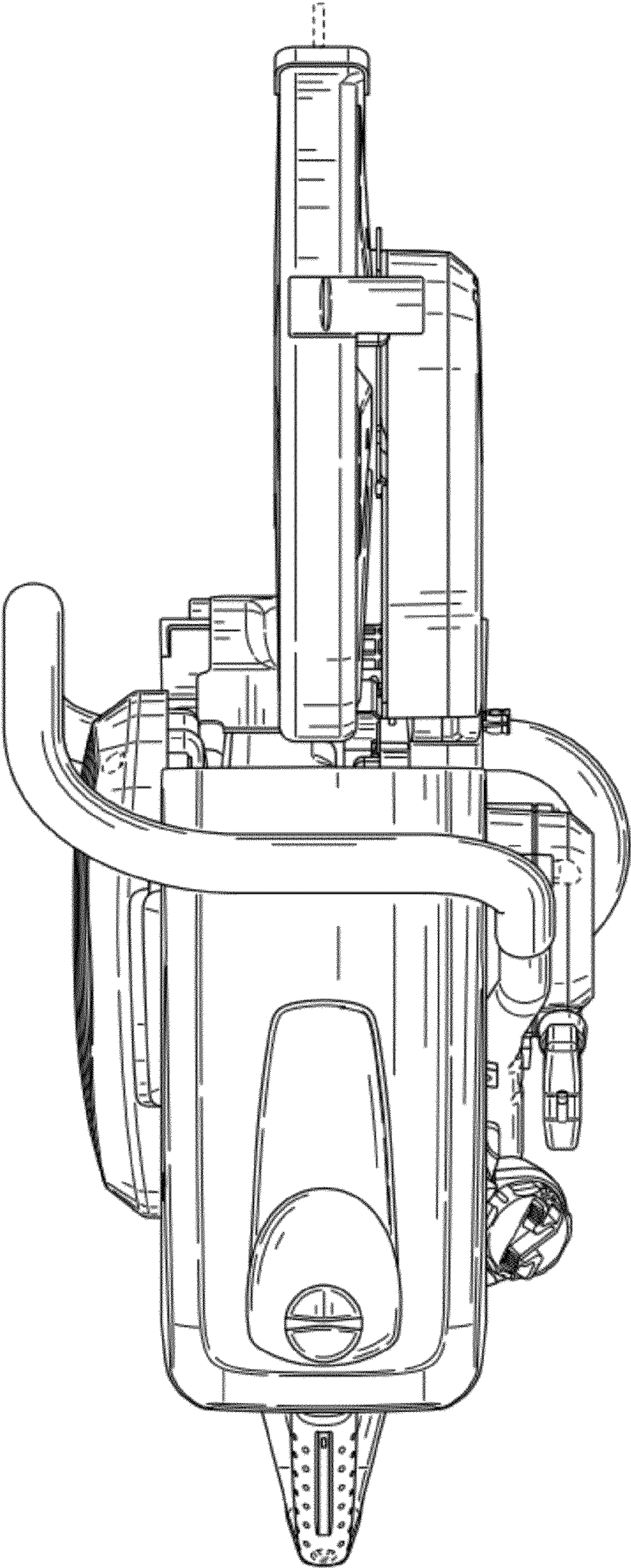


FIG. 6

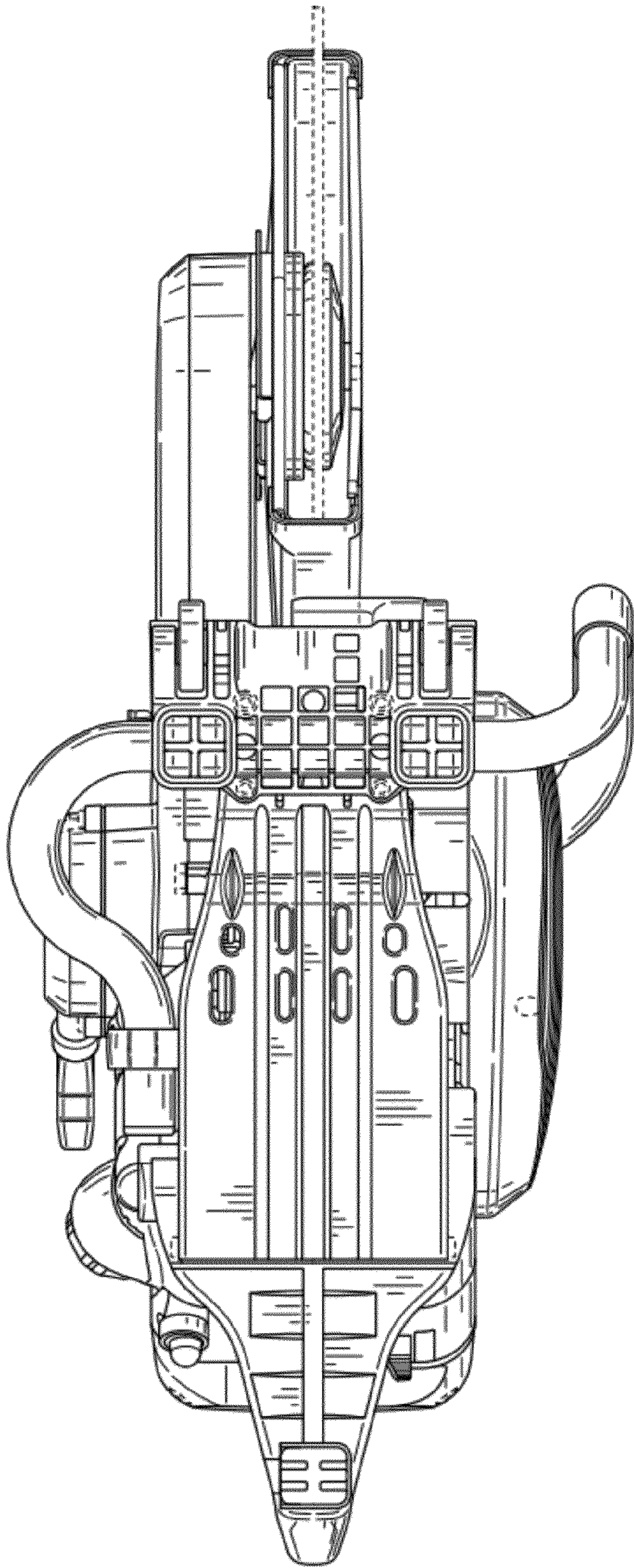


FIG. 7

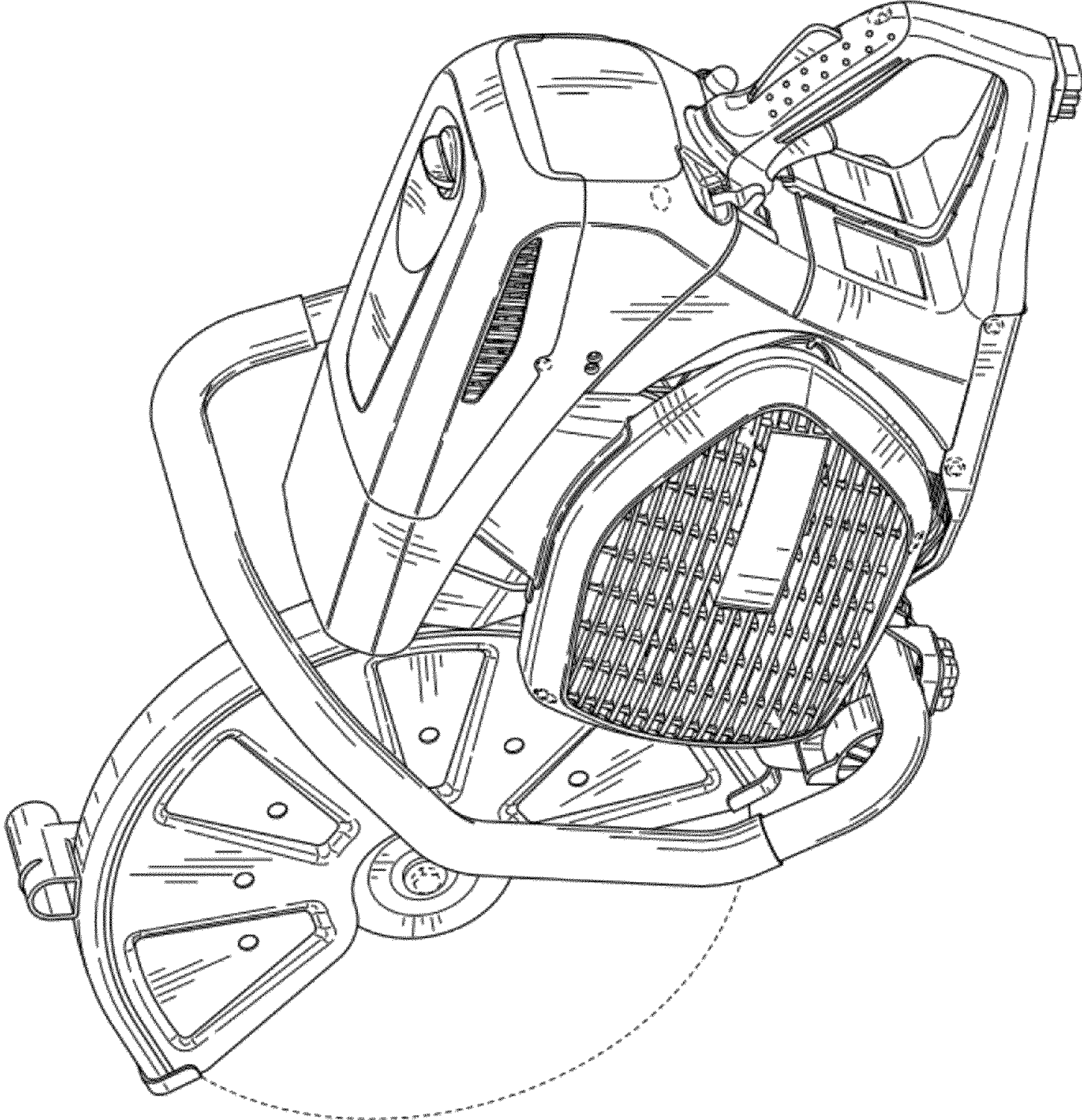


FIG. 8