



US00D663599S

(12) **United States Design Patent**
Tinius

(10) **Patent No.:** **US D663,599 S**

(45) **Date of Patent:** **** Jul. 17, 2012**

(54) **CHAINSAW**

(75) Inventor: **Michael Tinius**, Ulm (DE)

(73) Assignee: **Andreas Stihl AG & Co. KG**,
Waiblingen (DE)

(**) Term: **14 Years**

(21) Appl. No.: **29/405,808**

(22) Filed: **Nov. 7, 2011**

(30) **Foreign Application Priority Data**

May 5, 2011 (EM) 001859513-0002

(51) **LOC (9) Cl.** **08-03**

(52) **U.S. Cl.** **D8/65**

(58) **Field of Classification Search** D8/65,
D8/7, 8, 9, 70, 66, 67, 62, 63, 64, 61, 91;
30/386, 383, 382, 371, 123, 381; 125/21;
D21/532; 83/832, 833, 834; 123/185.3

See application file for complete search history.

(56) **References Cited**

U.S. PATENT DOCUMENTS

D364,326 S *	11/1995	Lohse et al.	D8/65
D412,652 S *	8/1999	Durr et al.	D8/65
D558,019 S *	12/2007	Granberg et al.	D8/65
D558,020 S *	12/2007	Karlsson et al.	D8/65
D563,747 S *	3/2008	Tinius	D8/65
D574,207 S *	8/2008	Arnesson et al.	D8/65
D607,292 S *	1/2010	Tinius	D8/65
D607,293 S *	1/2010	Tinius	D8/65

D615,836 S *	5/2010	Kosugi et al.	D8/65
D633,353 S *	3/2011	Tinius	D8/65
D633,766 S *	3/2011	Tinius	D8/65
D636,652 S *	4/2011	Mehra	D8/65
D640,111 S *	6/2011	Tinius	D8/65
D641,603 S *	7/2011	Tinius	D8/65
D647,773 S *	11/2011	Sugishita et al.	D8/65
D649,852 S *	12/2011	Tinius	D8/65
D649,853 S *	12/2011	Tinius	D8/65
2006/0230900 A1 *	10/2006	Bergquisto	83/381

* cited by examiner

Primary Examiner — Austin Murphy

(74) *Attorney, Agent, or Firm* — McGuireWoods LLP

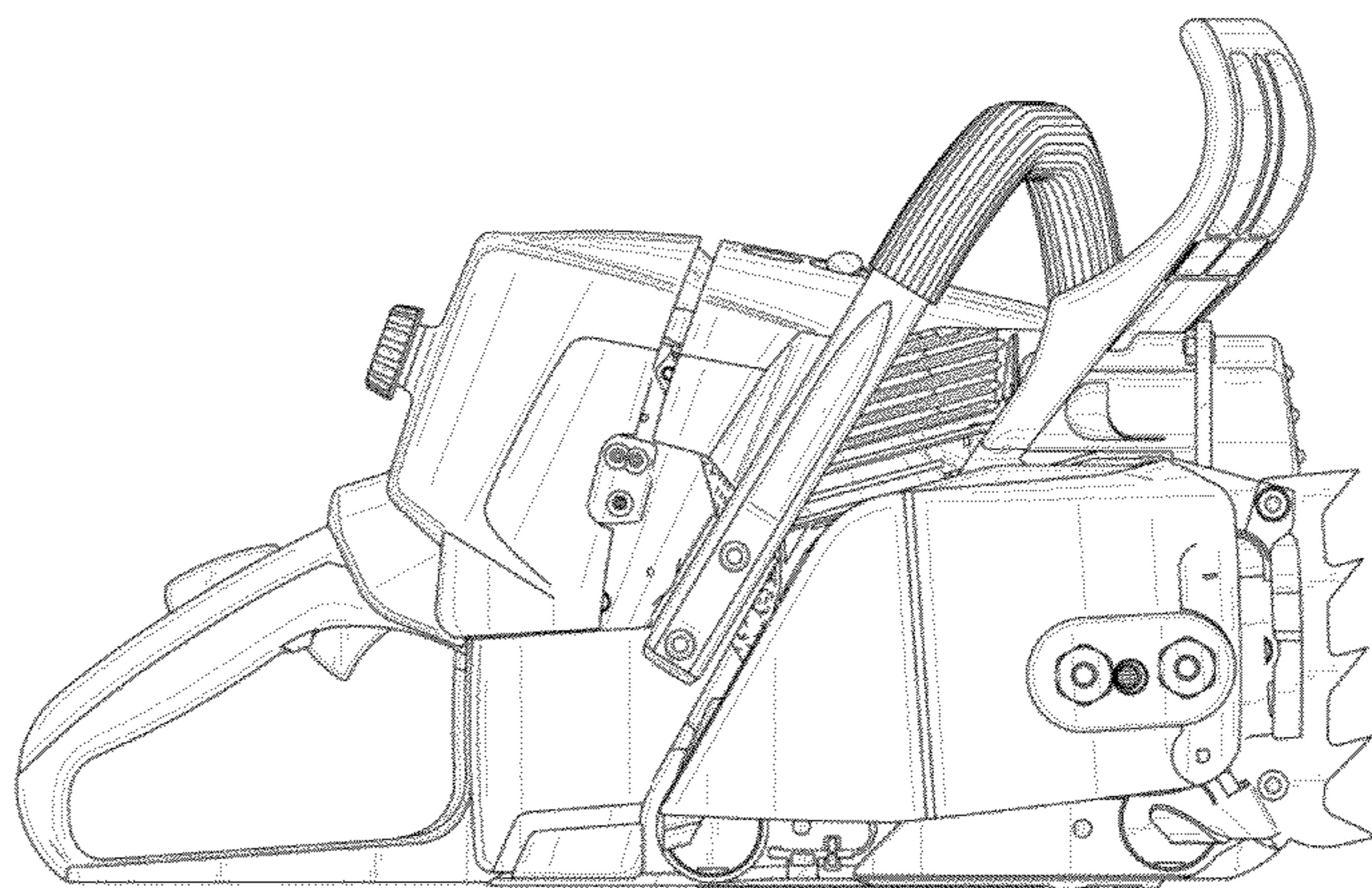
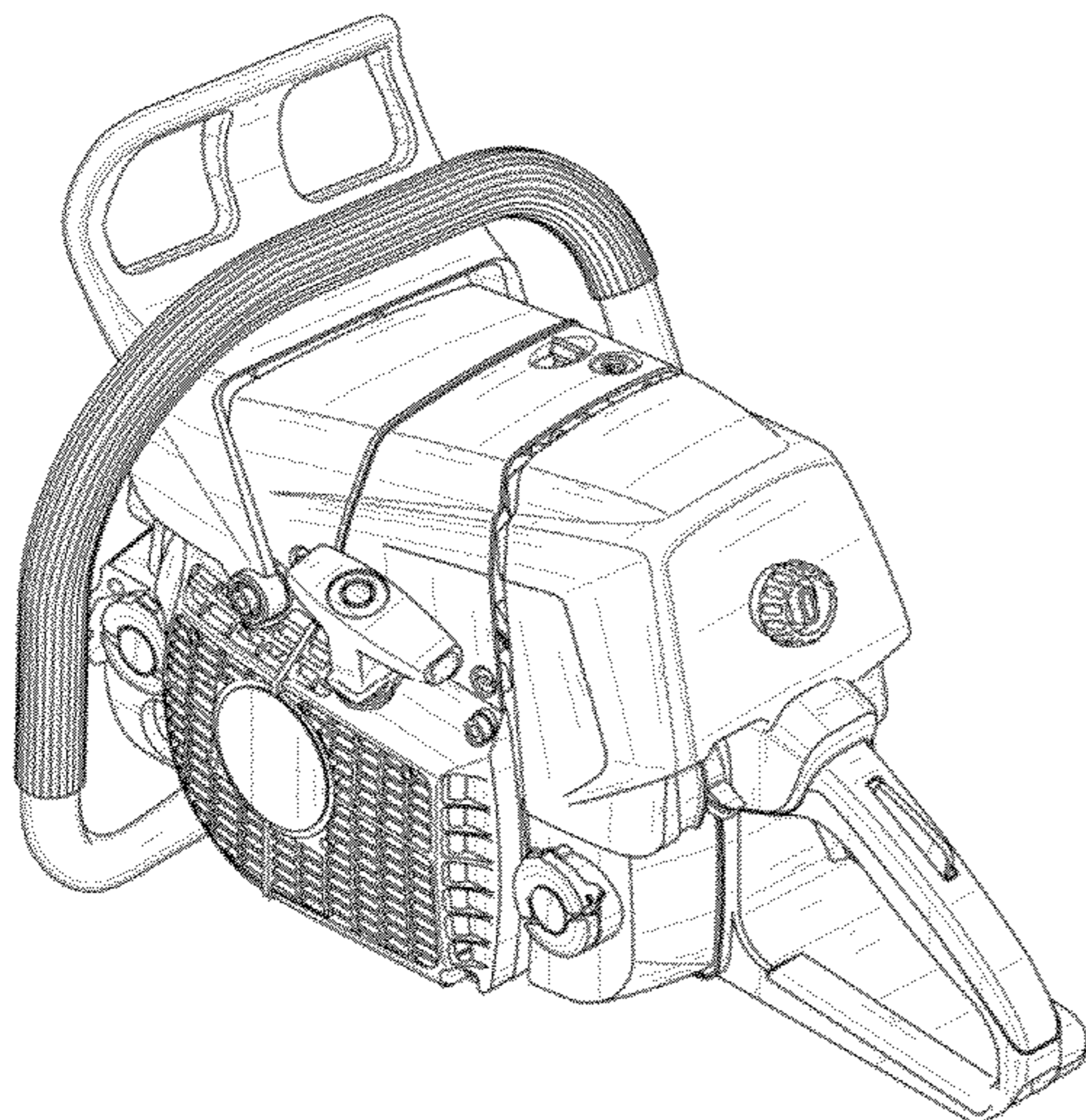
(57) **CLAIM**

I claim the ornamental design for a chainsaw, as shown and described.

DESCRIPTION

FIG. 1 is a left perspective view of the chainsaw;
FIG. 2 is a front view of the chainsaw shown in FIG. 1;
FIG. 3 is a rear view of the chainsaw shown in FIG. 1;
FIG. 4 is a right side view of the chainsaw shown in FIG. 1;
FIG. 5 is a left side view of the chainsaw shown in FIG. 1;
FIG. 6 is a top view of the chainsaw shown in FIG. 1; and,
FIG. 7 is a bottom view of the chainsaw shown in FIG. 1.
The broken lines shown in the drawings represent unclaimed portions of the chainsaw and form no part of the claimed design.

1 Claim, 7 Drawing Sheets



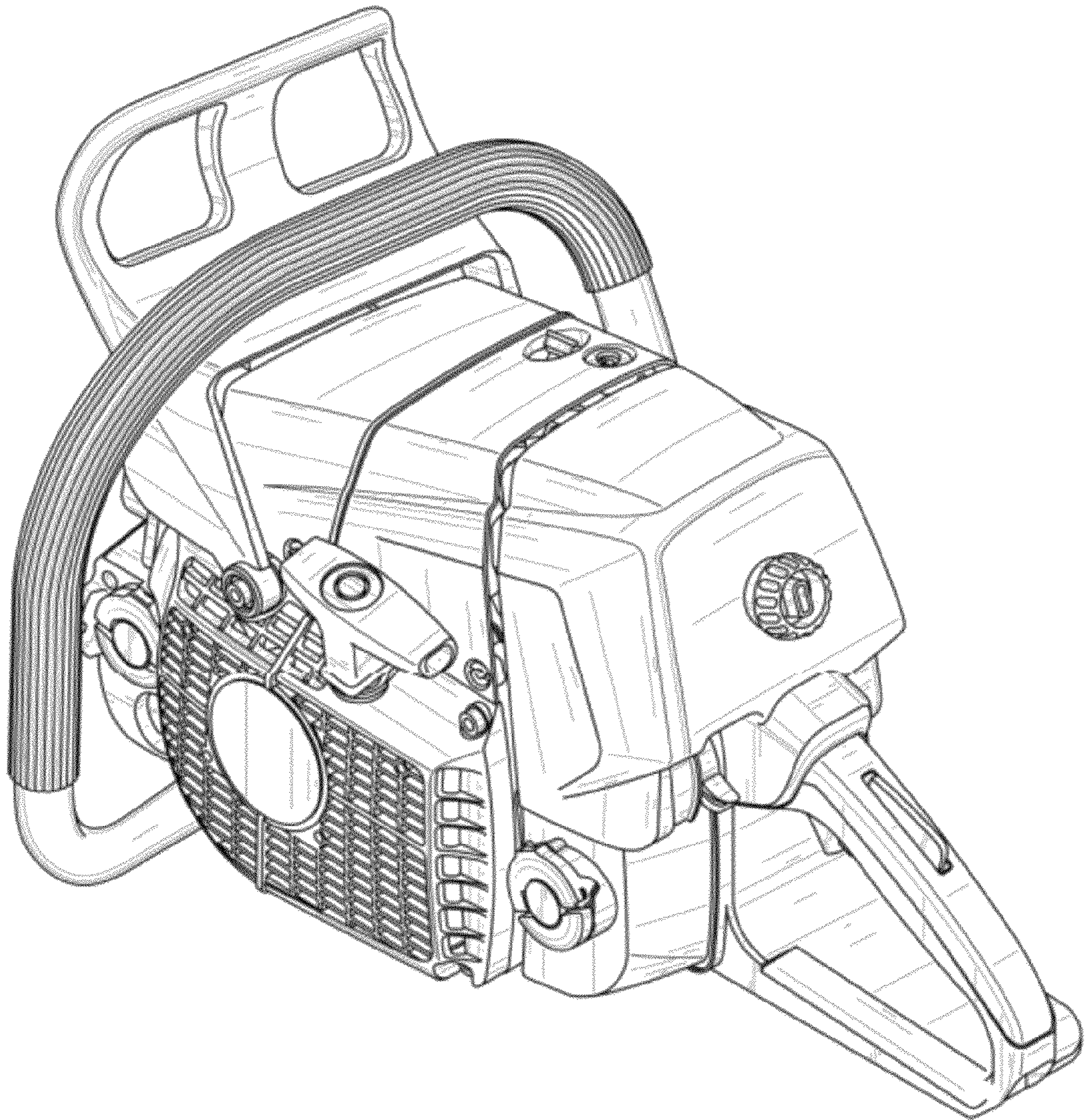


FIG. 1

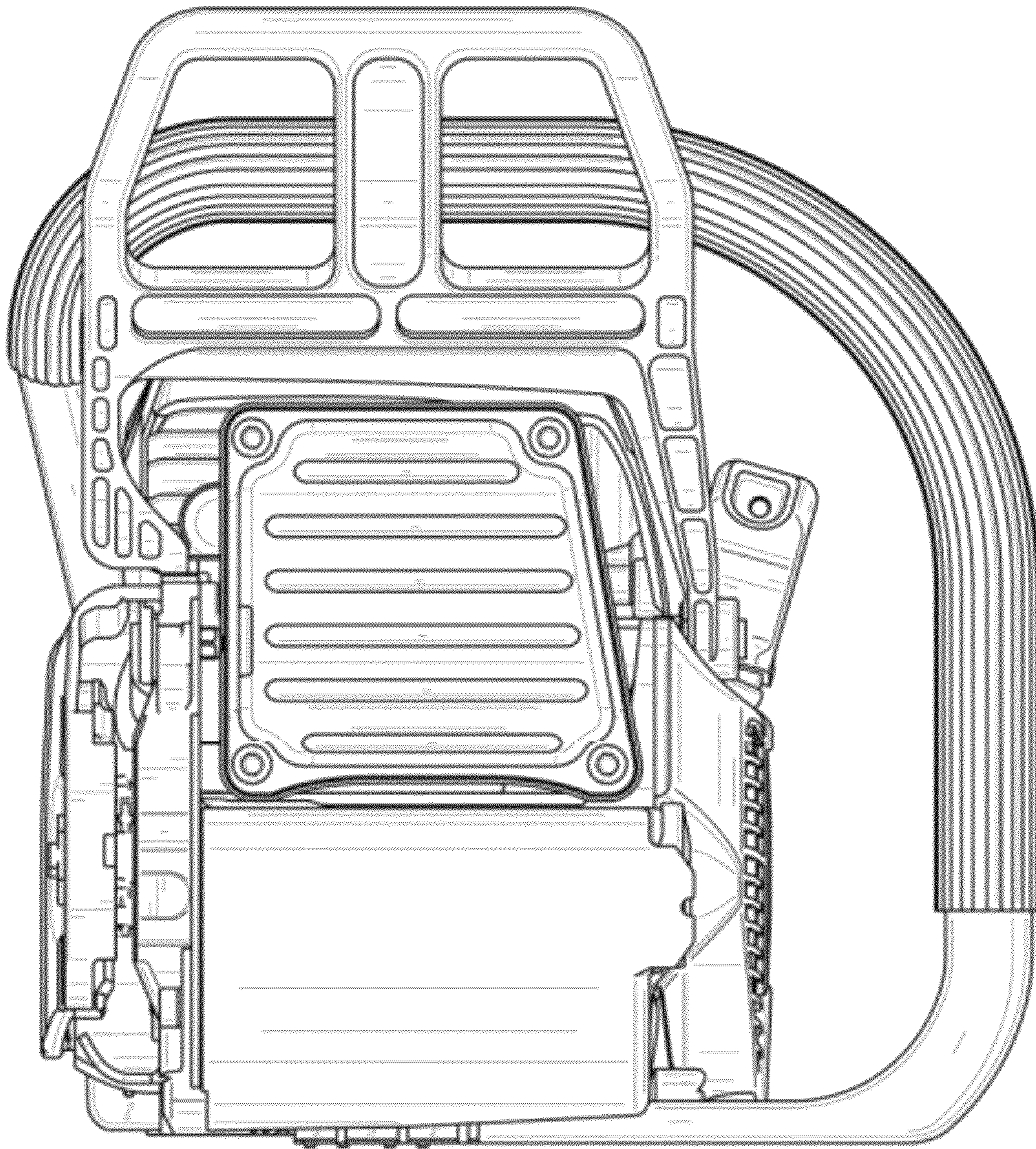


FIG. 2

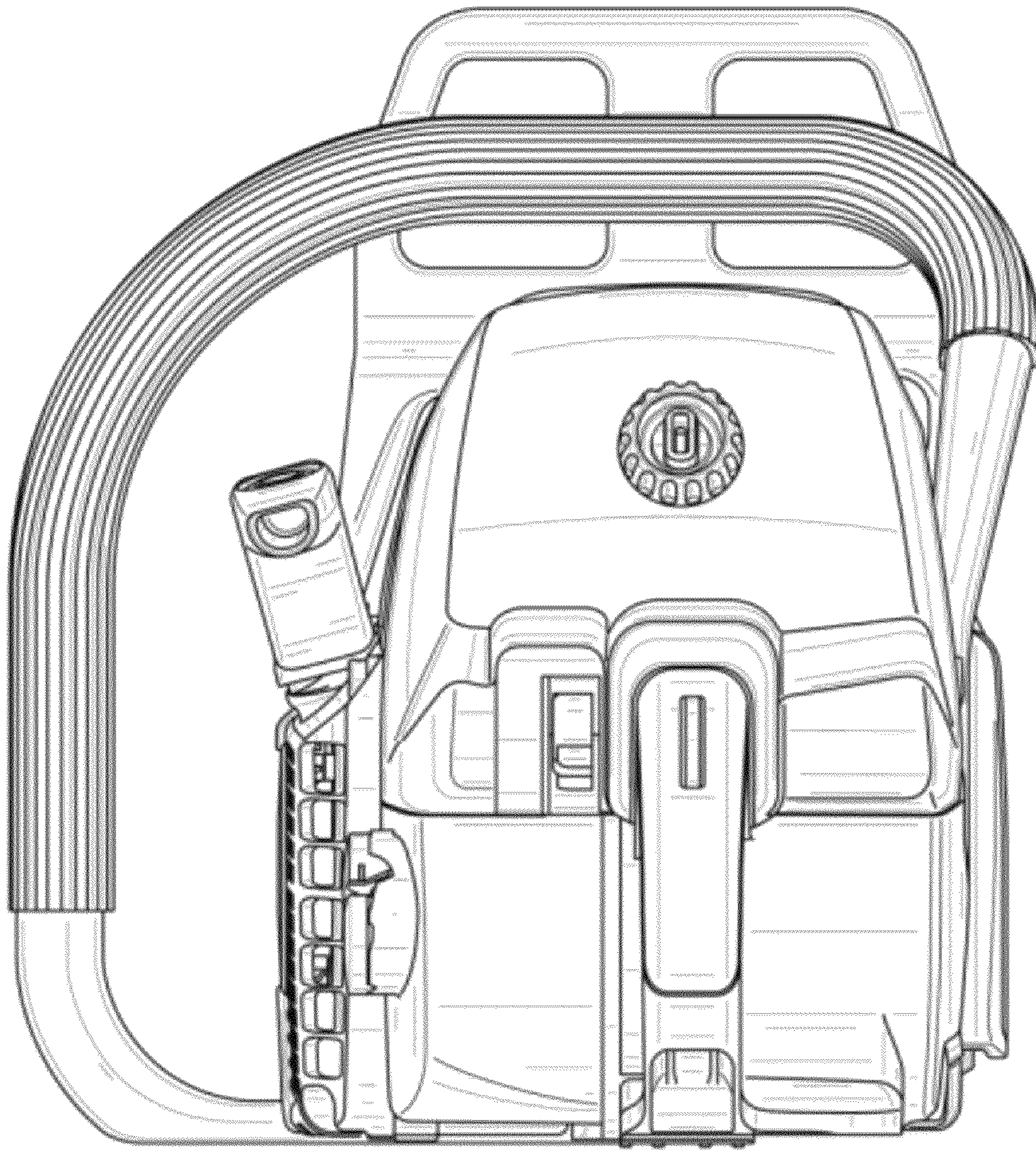


FIG. 3

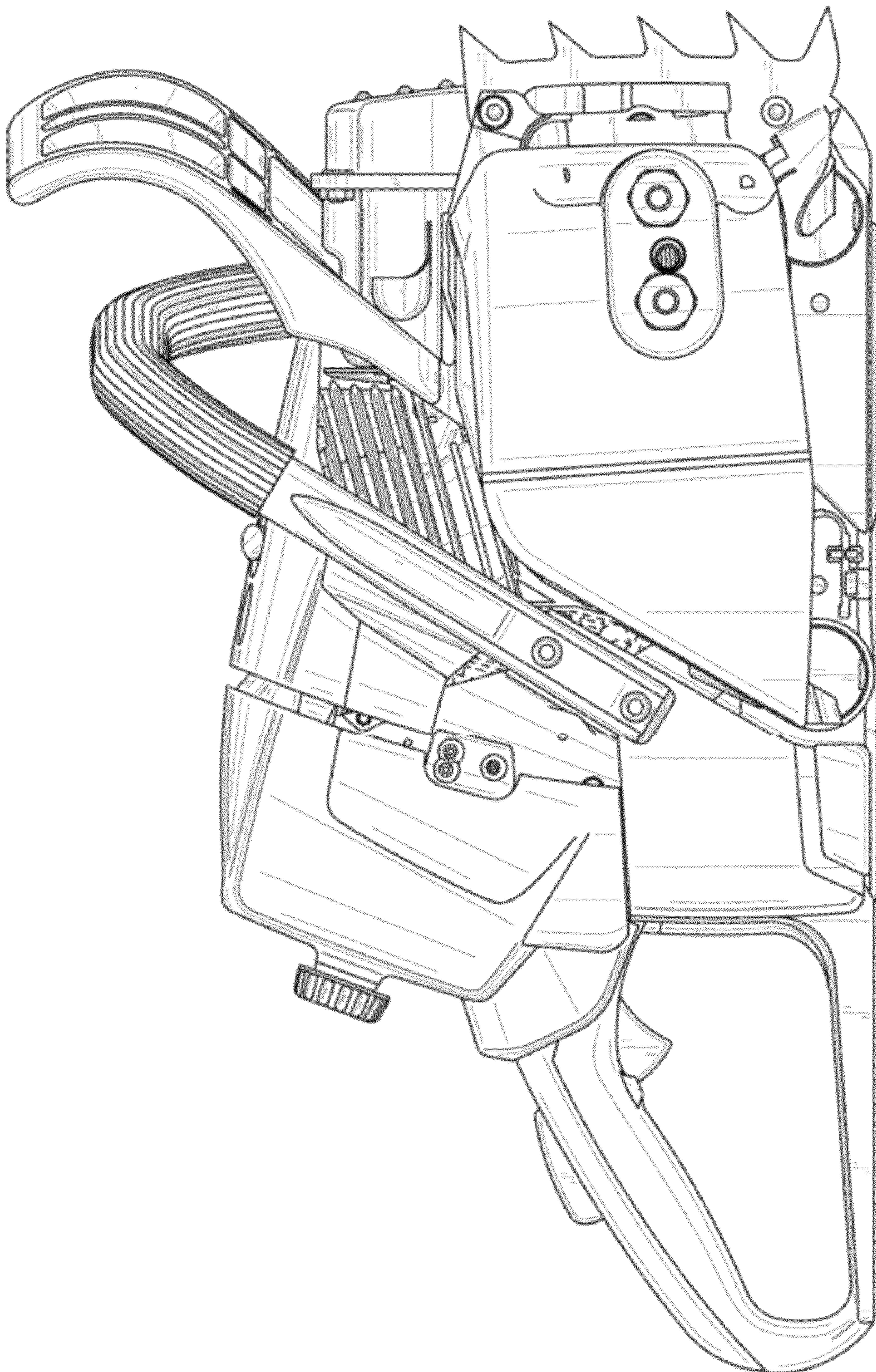


FIG. 4

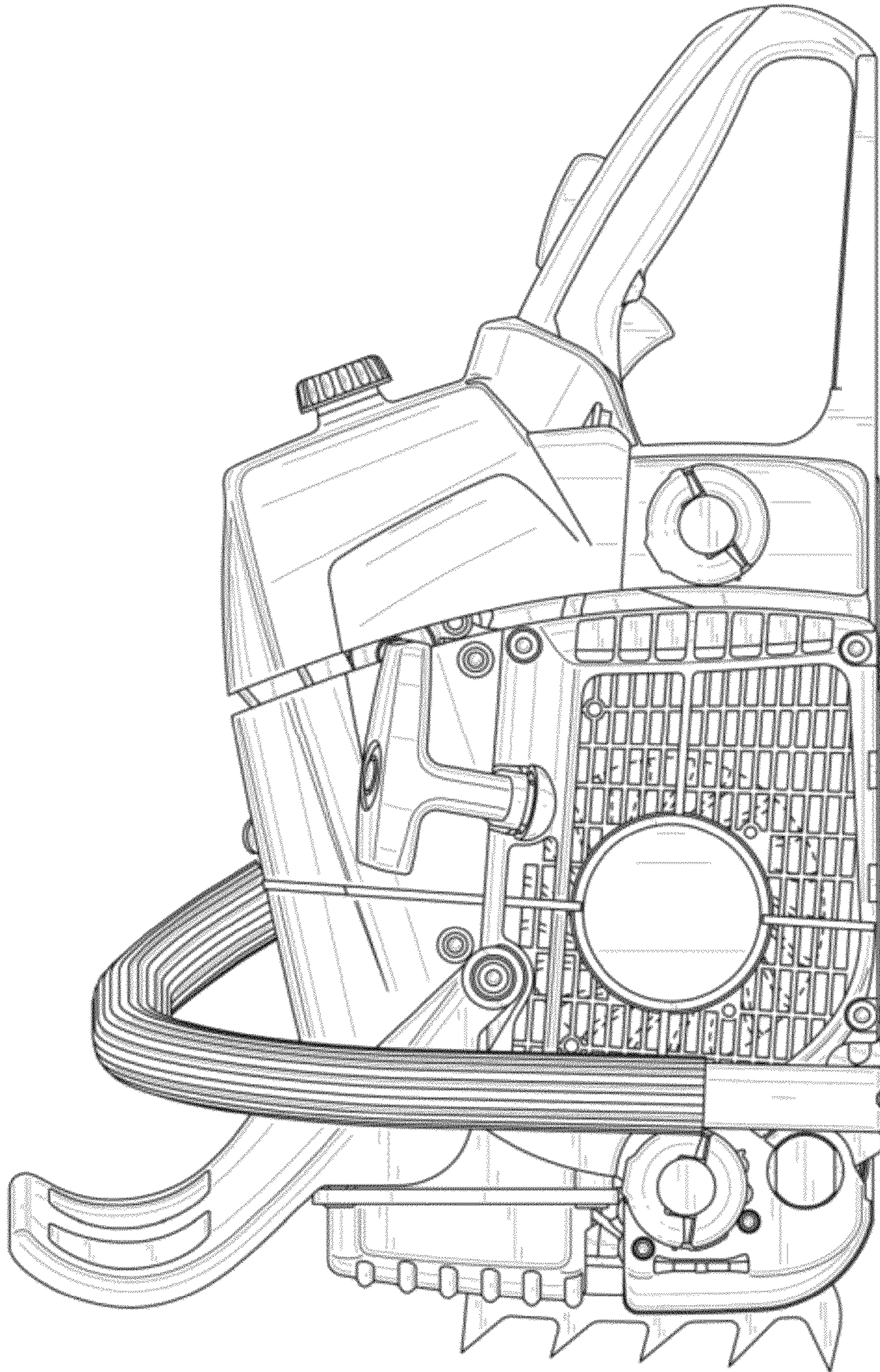


FIG. 5

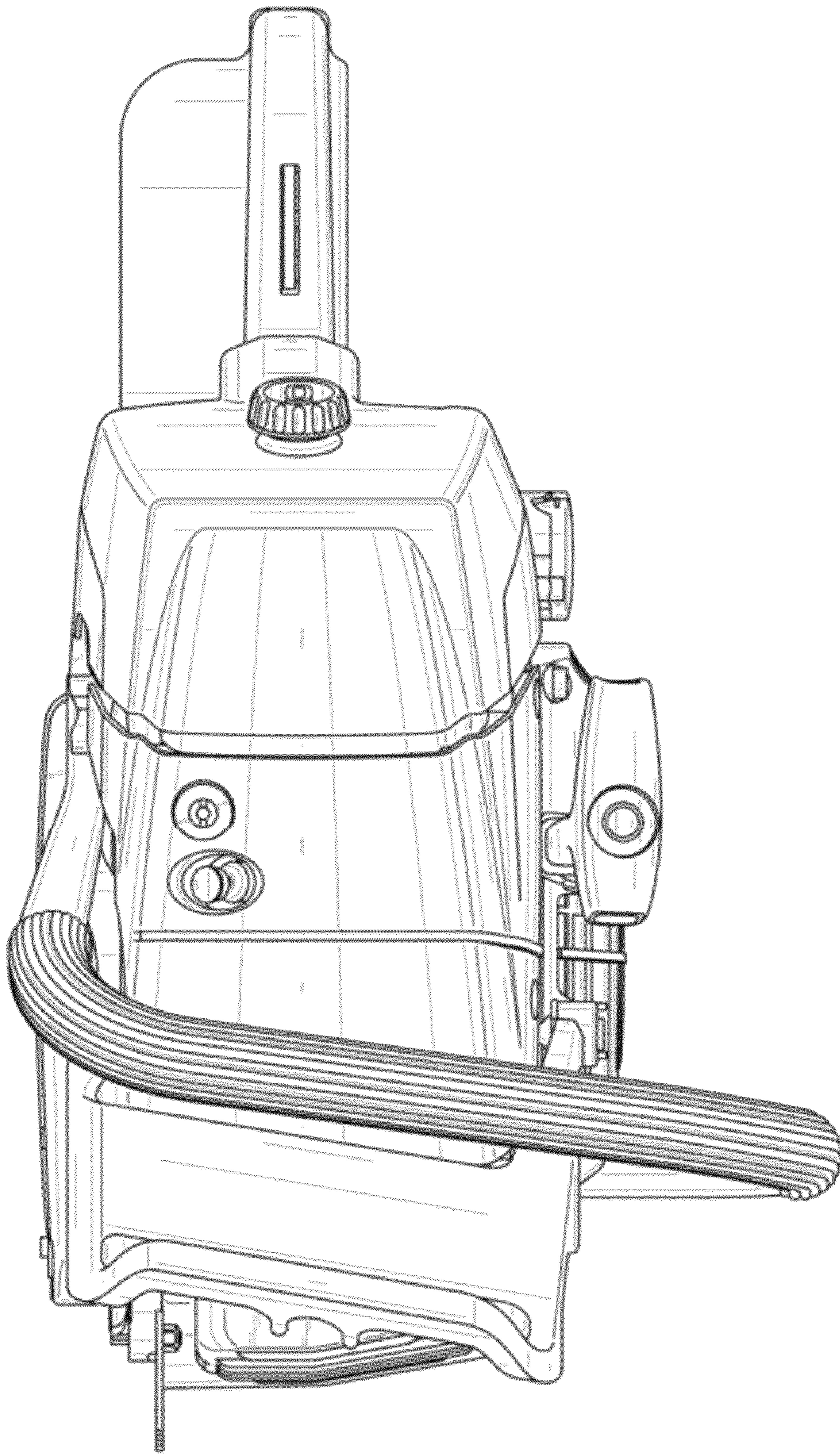


FIG. 6

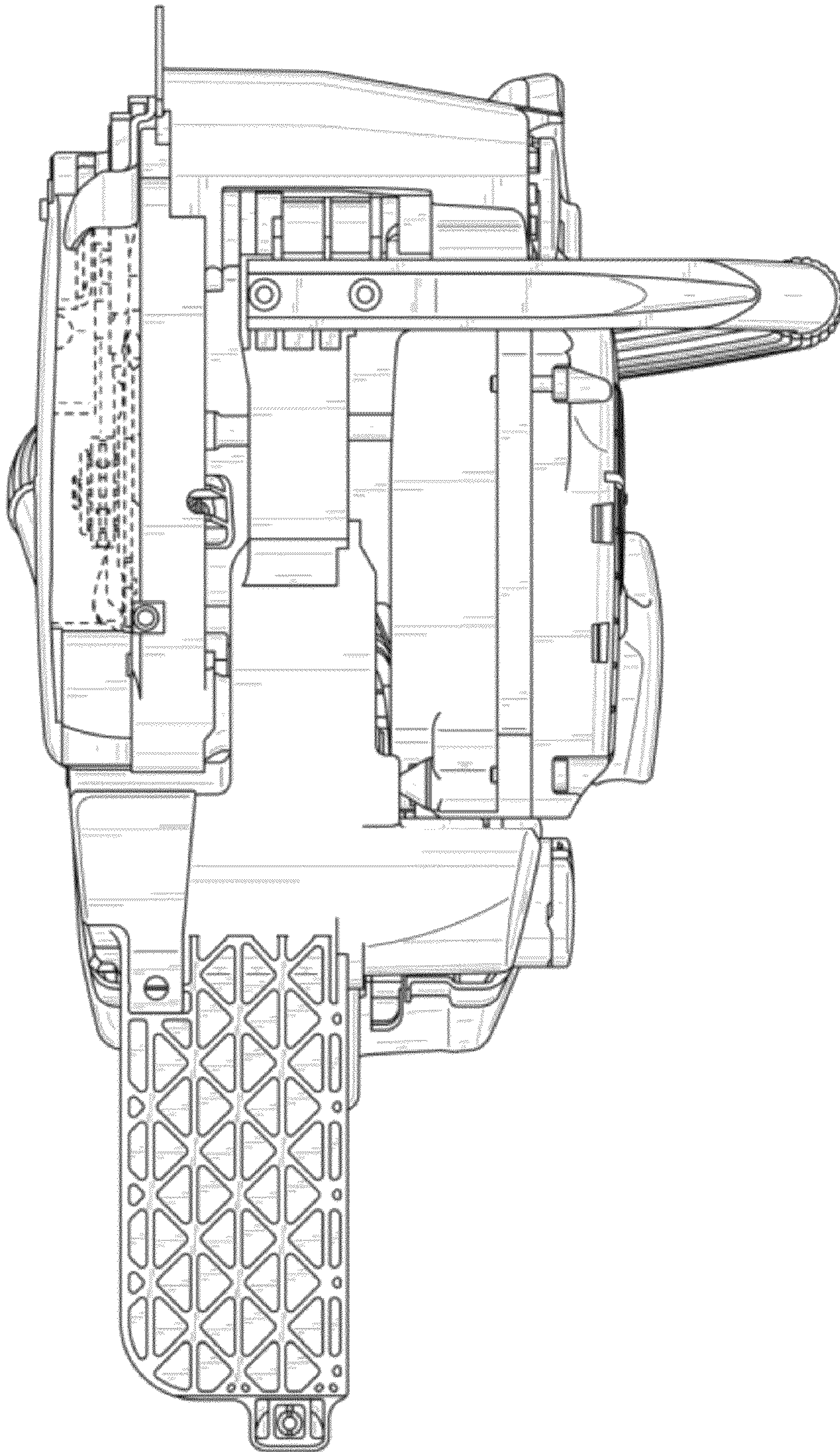


FIG. 7