

US00D663598S

(12) **United States Design Patent**
Luedtke et al.

(10) **Patent No.:** **US D663,598 S**

(45) **Date of Patent:** **** Jul. 17, 2012**

(54) **SHARPENING ARM**

(75) Inventors: **Lance Luedtke**, Vancouver, WA (US);
Christopher D. Seigneur, West Linn,
OR (US)

(73) Assignee: **Blount, Inc.**, Portland, OR (US)

(**) Term: **14 Years**

(21) Appl. No.: **29/386,843**

(22) Filed: **Mar. 4, 2011**

(51) **LOC (9) Cl.** **08-03**

(52) **U.S. Cl.** **D8/65**

(58) **Field of Classification Search** D8/65,
D8/7, 8, 9, 70, 66, 67, 62, 63, 64, 91; 30/386,
30/383, 382, 371, 123, 381; 125/21; D21/532;
83/832, 833, 834; 123/185.3

See application file for complete search history.

(56) **References Cited**

U.S. PATENT DOCUMENTS

D182,690	S	*	4/1958	Scott	D8/65
3,921,490	A	*	11/1975	Dolata et al.	83/833
4,393,739	A	*	7/1983	Olmr	83/834
4,457,765	A	*	7/1984	Wilson	51/293
4,478,298	A	*	10/1984	Hake et al.	175/432
4,606,253	A	*	8/1986	Weigel	83/830

4,619,172	A	*	10/1986	Perez	83/830
4,797,138	A	*	1/1989	Komanduri	51/295
4,841,824	A	*	6/1989	Hartmann et al.	83/830
5,318,006	A	*	6/1994	Walen et al.	125/36
D648,200	S	*	11/2011	Seigneur et al.	D8/65

* cited by examiner

Primary Examiner — Austin Murphy

(74) *Attorney, Agent, or Firm* — Schwabe Williamson & Wyatt

(57) **CLAIM**

We claim an ornamental design for a sharpening arm, as shown and described.

DESCRIPTION

FIG. 1 is a perspective view of a sharpening arm, showing our new design;

FIG. 2 is a right-side view thereof;

FIG. 3 is a left-side view thereof;

FIG. 4 is a front view thereof;

FIG. 5 is a rear view thereof;

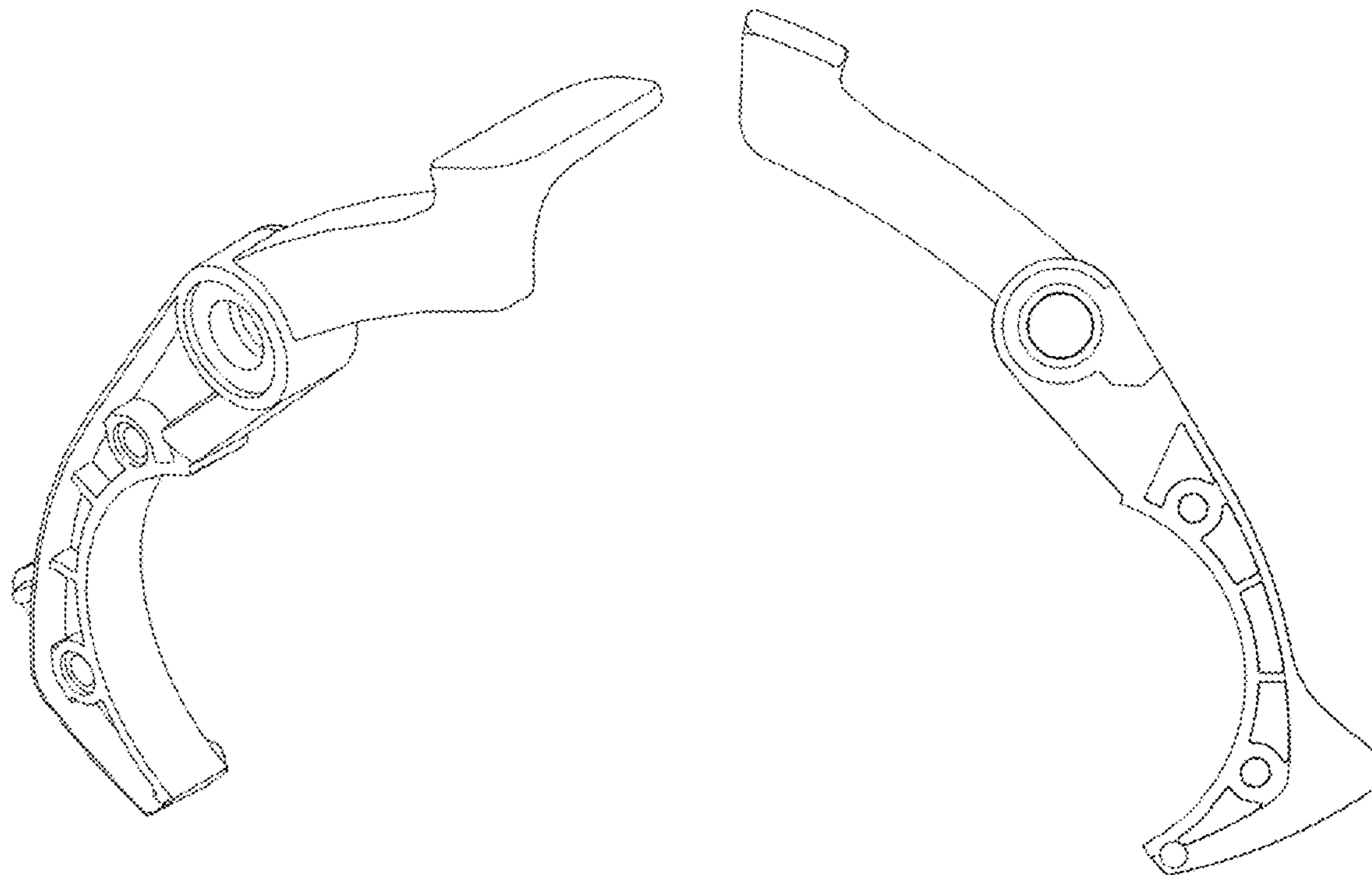
FIG. 6 is a top view thereof;

FIG. 7 is a bottom view thereof; and,

FIG. 8 is a front view of a sharpening arm in association with a stone holder and chainsaw.

The dashed lines are included for illustrating environmental structure and form no part of the claimed design.

1 Claim, 6 Drawing Sheets



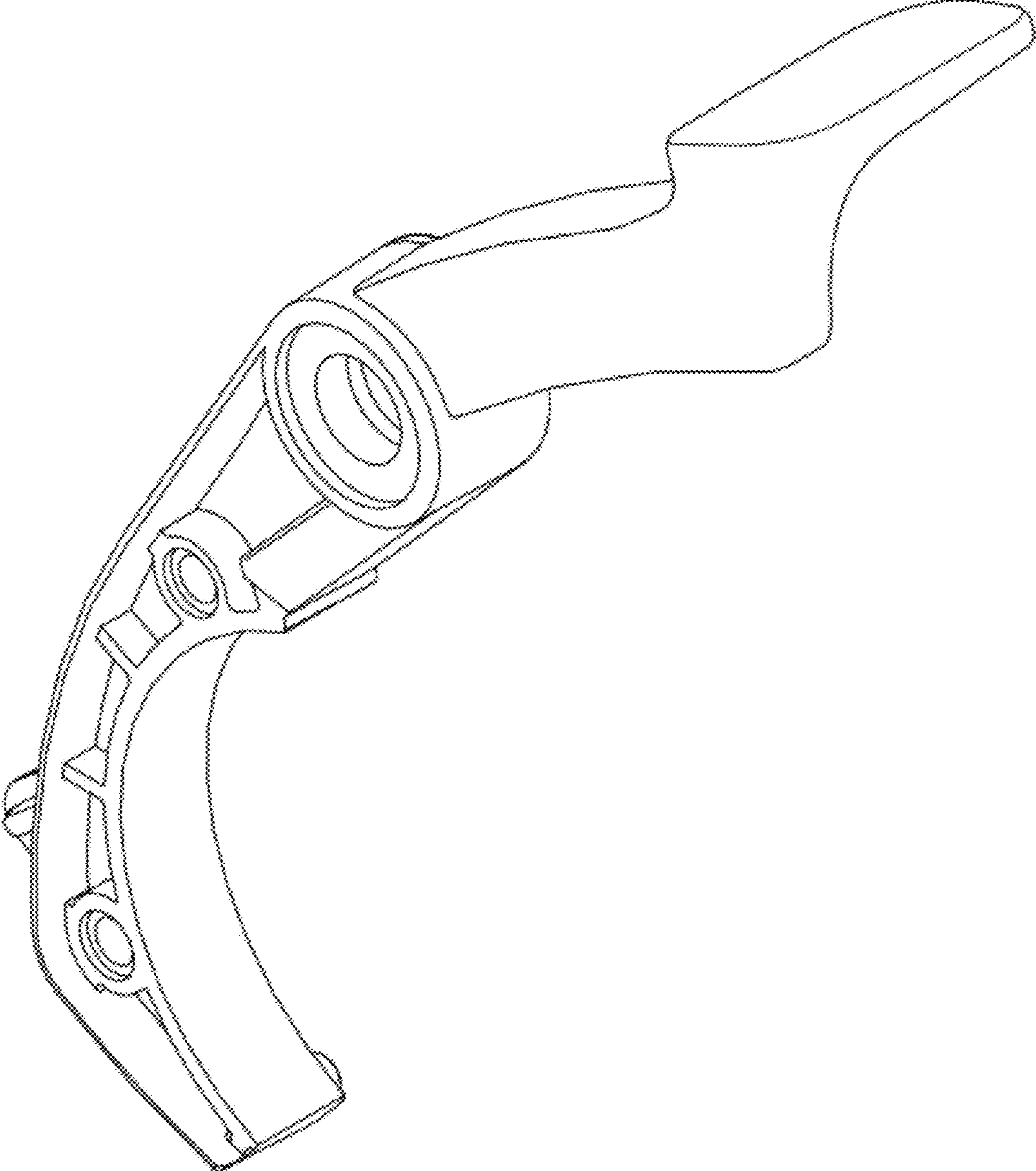


FIG. 1

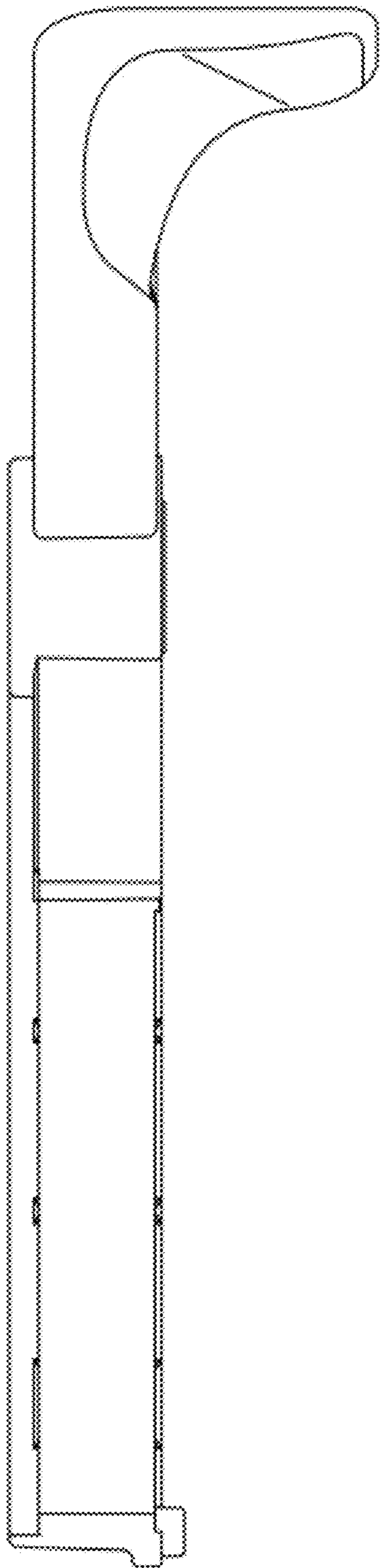


FIG. 2

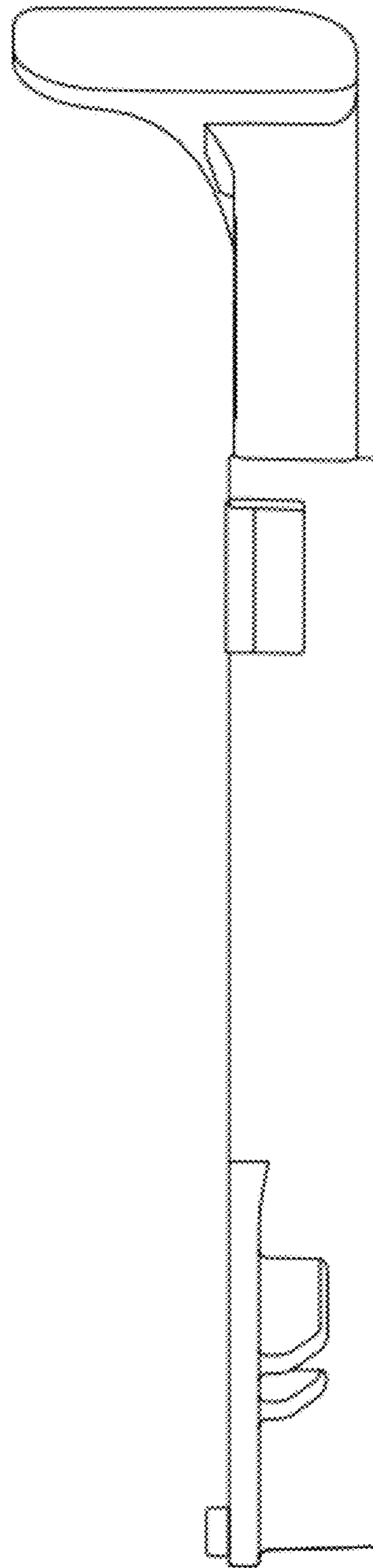


FIG. 3

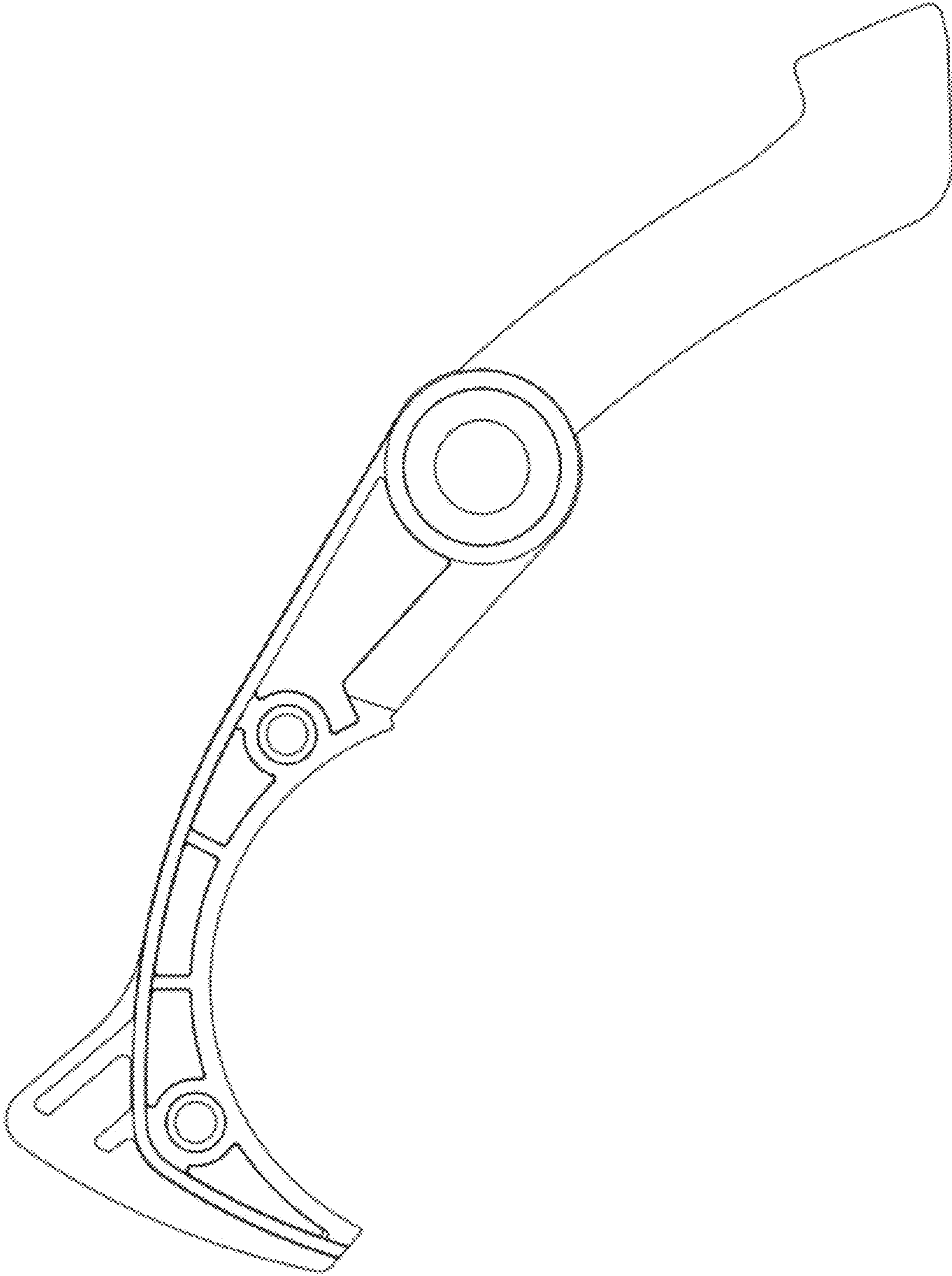


FIG. 4

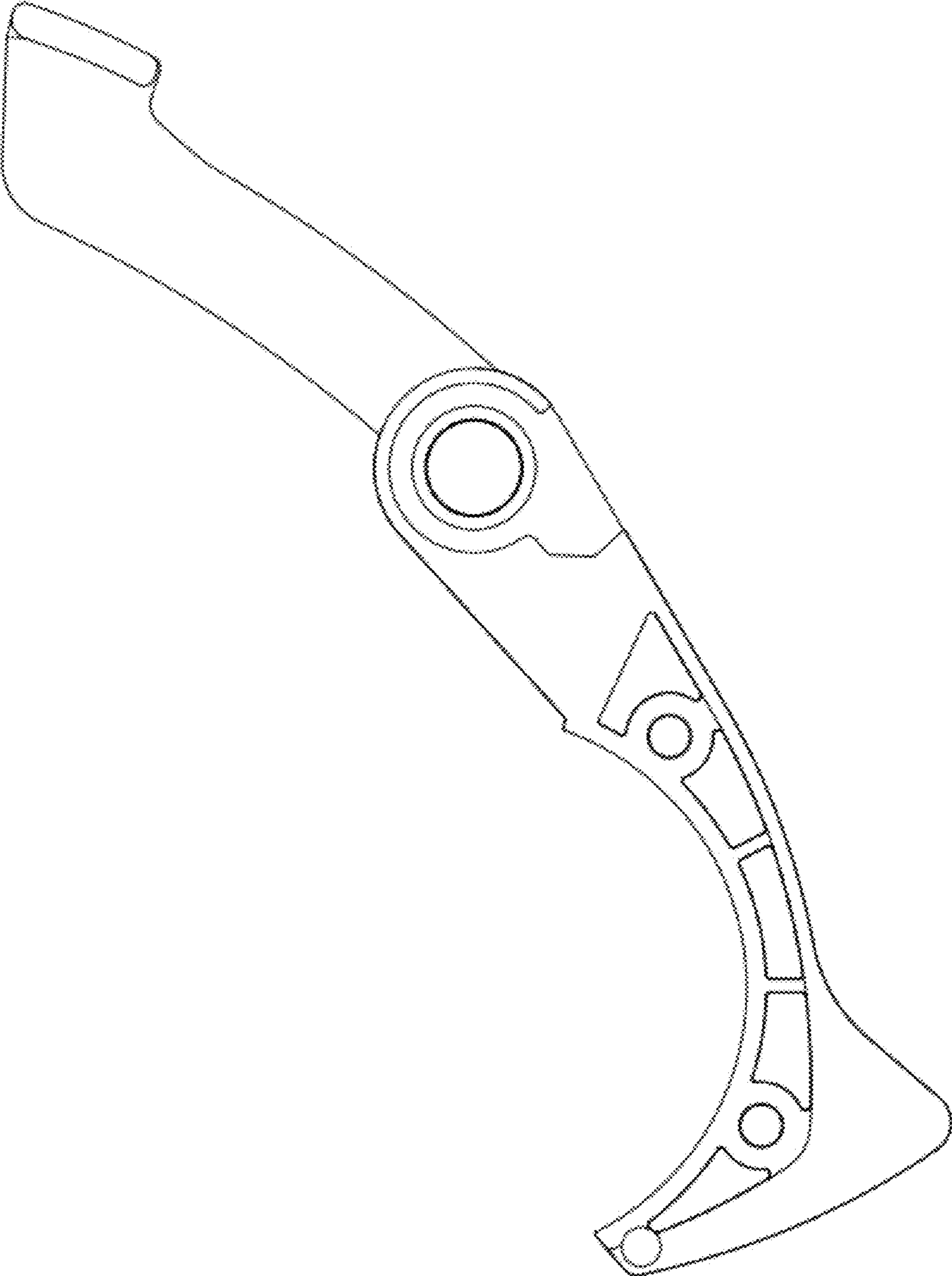


FIG. 5

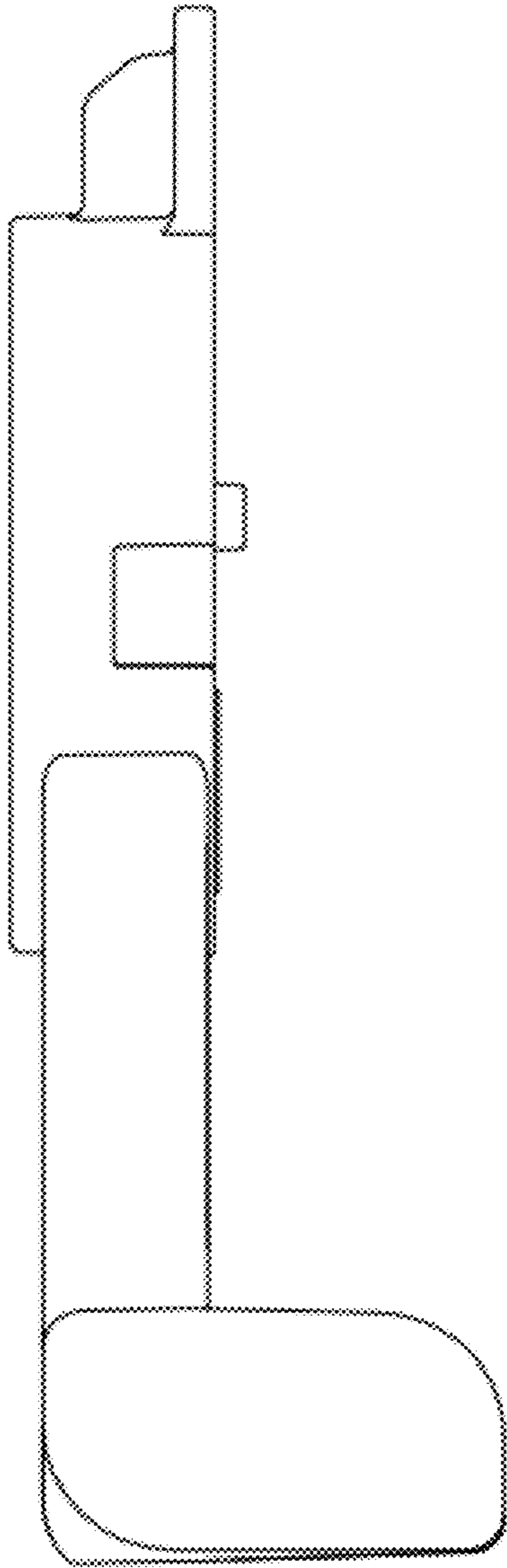


FIG. 6

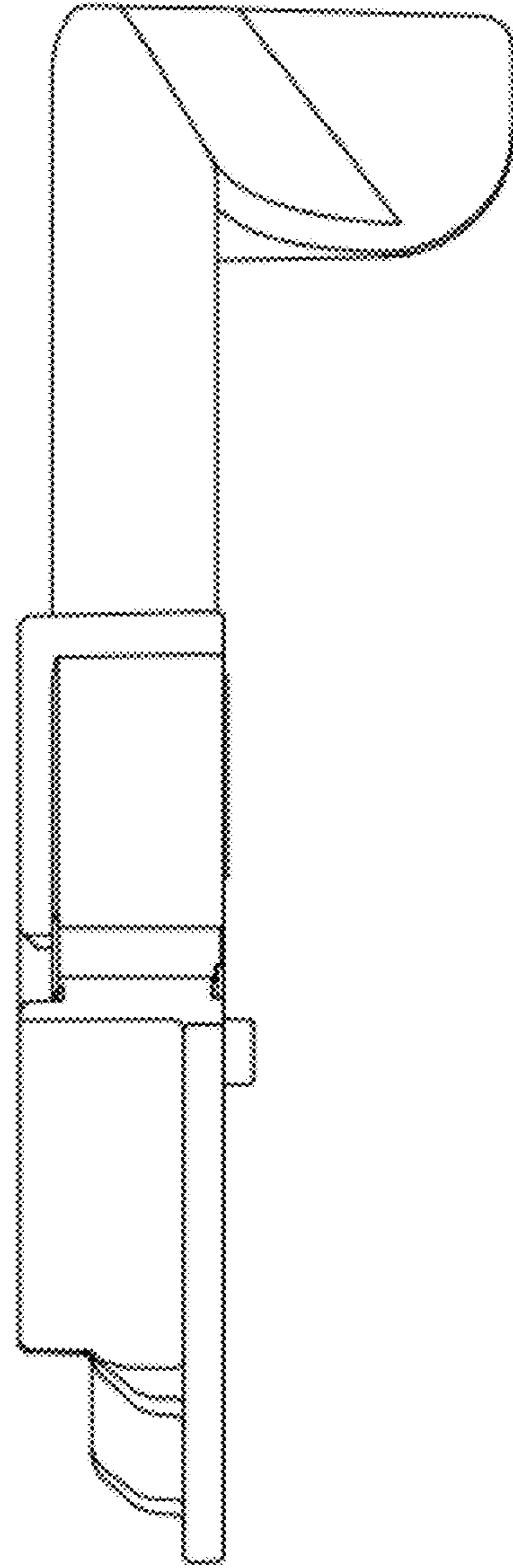


FIG. 7

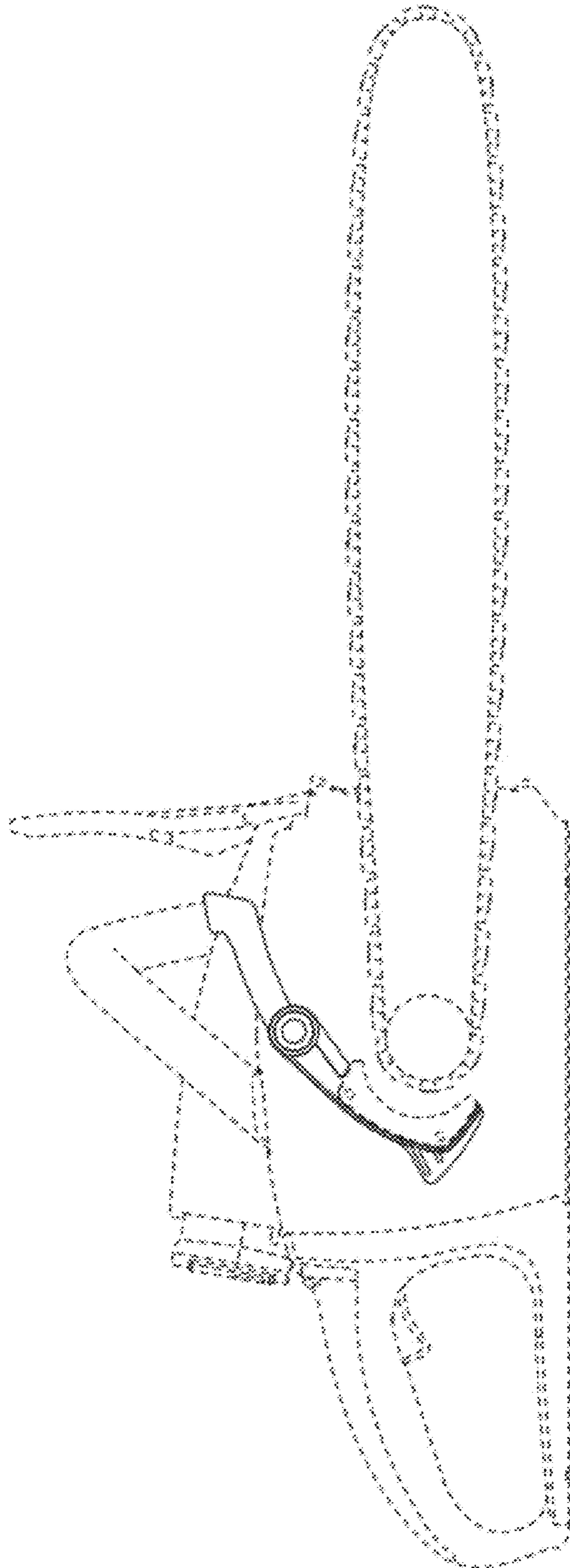


FIG. 8