

US00D663597S

(12) **United States Design Patent**
Wasielewski et al.

(10) **Patent No.:** **US D663,597 S**
(45) **Date of Patent:** **** Jul. 17, 2012**

(54) **SPIRAL SAW**

(75) Inventors: **Kevin Wasielewski**, Downers Grove, IL (US); **Tim Baker**, Aurora, IL (US); **James Dangora**, Chicago, IL (US); **Christopher Sweet**, Chicago, IL (US)

(73) Assignees: **Robert Bosch Tool Corp.**, Broadview, IL (US); **Robert Bosch GmbH**, Stuttgart (DE)

(**) Term: **14 Years**

(21) Appl. No.: **29/408,639**

(22) Filed: **Dec. 15, 2011**

(51) **LOC (9) Cl.** **08-03**

(52) **U.S. Cl.** **D8/61**

(58) **Field of Classification Search** D8/61,
D8/67, 70, 107, 64; 409/182, 180, 134, 132,
409/131; 144/48.6, 252.1, 154.5, 136.95,
144/153; 279/48

See application file for complete search history.

(56) **References Cited**

U.S. PATENT DOCUMENTS

D364,790 S *	12/1995	Duennes	D8/61
D437,757 S *	2/2001	Thomson et al.	D8/61
D438,076 S *	2/2001	Wikle et al.	D8/61
D447,030 S *	8/2001	Chen	D8/61

D477,758 S *	7/2003	Chunn et al.	D8/64
D481,919 S *	11/2003	Sham et al.	D8/64
D484,763 S *	1/2004	Sham et al.	D8/64
D526,176 S *	8/2006	Lopano et al.	D8/61
D527,964 S *	9/2006	Riley et al.	D8/61
D528,099 S *	9/2006	Riley et al.	D14/155
D588,892 S *	3/2009	Van Wambeke	D8/64
7,600,579 B2 *	10/2009	Wasielewski	173/217
7,677,281 B2 *	3/2010	Baker et al.	144/136.95
D619,436 S *	7/2010	Baker et al.	D8/61
D630,074 S *	1/2011	Wasielewski et al.	D8/61

* cited by examiner

Primary Examiner — Austin Murphy

(74) *Attorney, Agent, or Firm* — Taft Stettinius & Hollister, LLP; Keith J. Swedo, Esq.

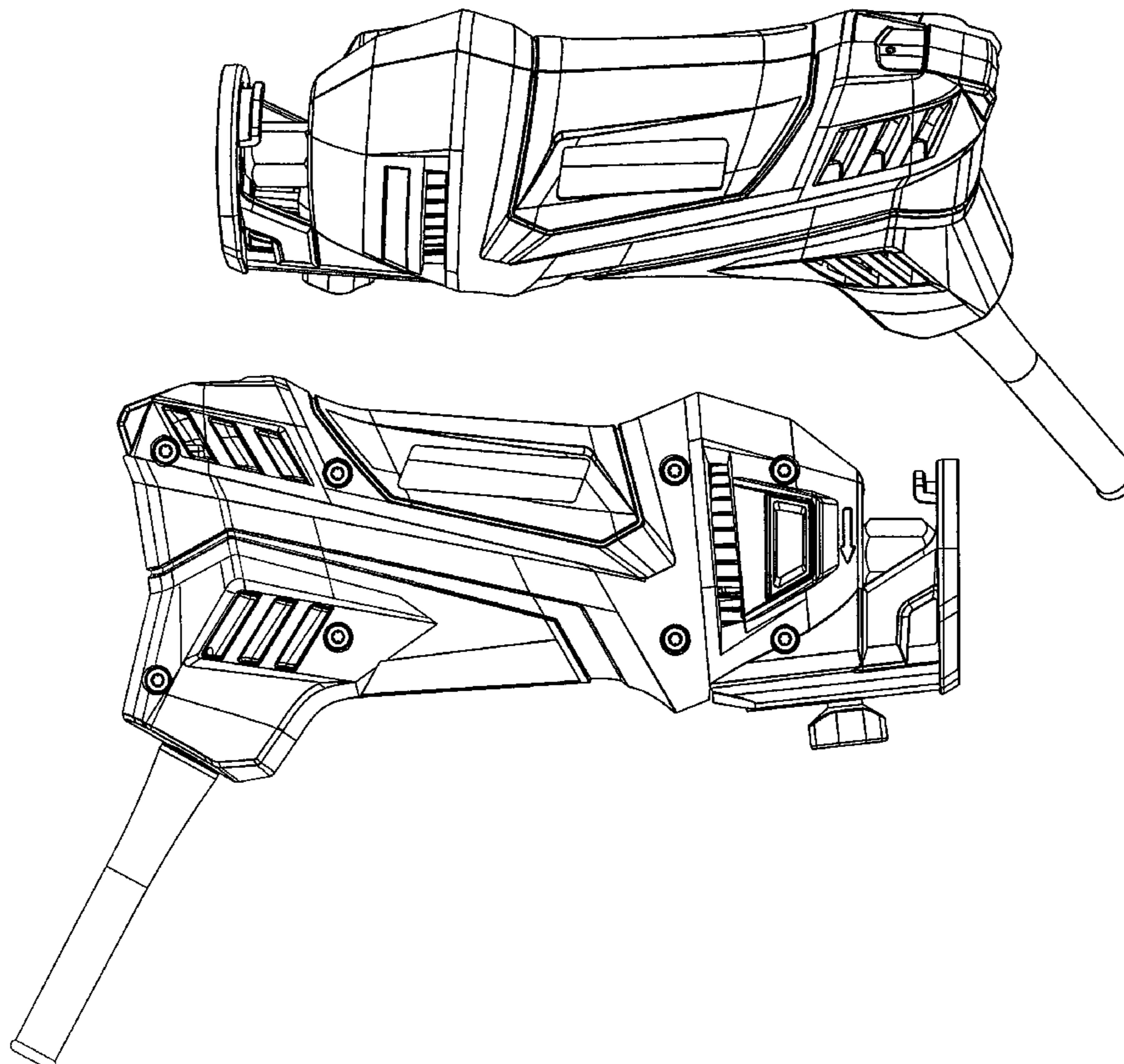
(57) **CLAIM**

The ornamental design for the spiral saw, as shown and described.

DESCRIPTION

FIG. 1 is a top left perspective view of the spiral saw; FIG. 2 is a left side view thereof; FIG. 3 is a top view thereof; FIG. 4 is a bottom view thereof; FIG. 5 is a right side view thereof; FIG. 6 is a front view thereof; and, FIG. 7 is a rear view thereof.

1 Claim, 7 Drawing Sheets



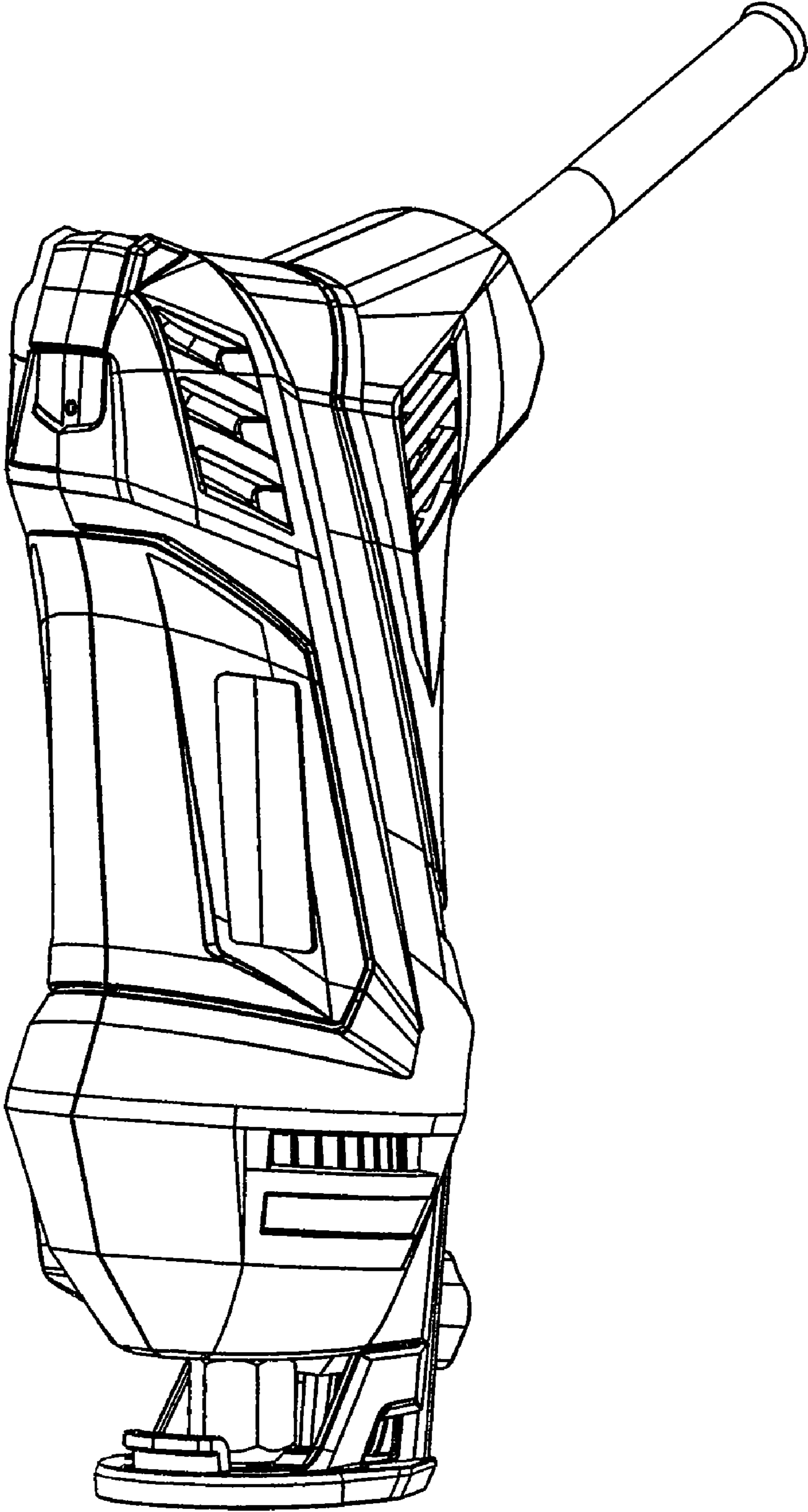


FIG. 1

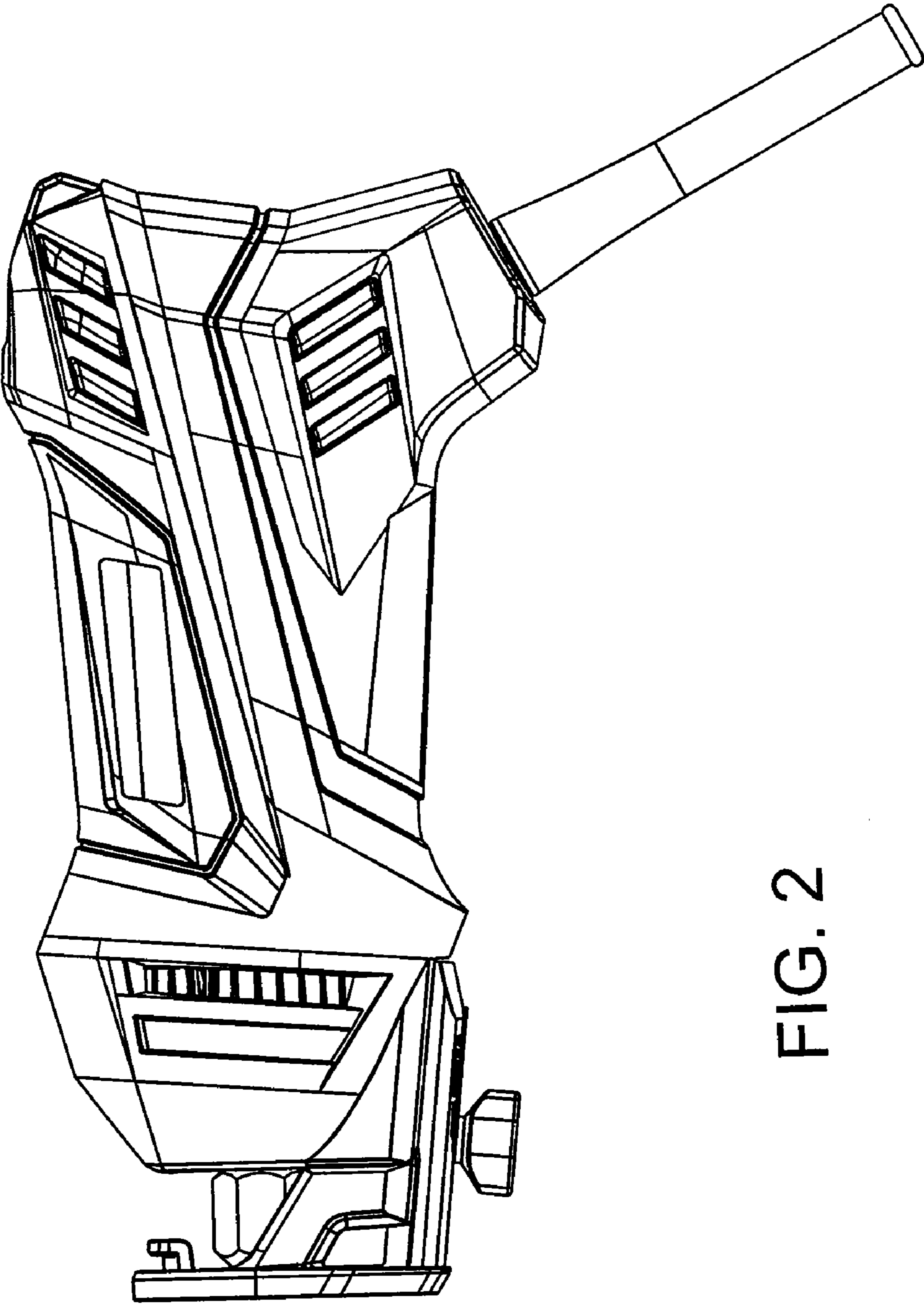


FIG. 2

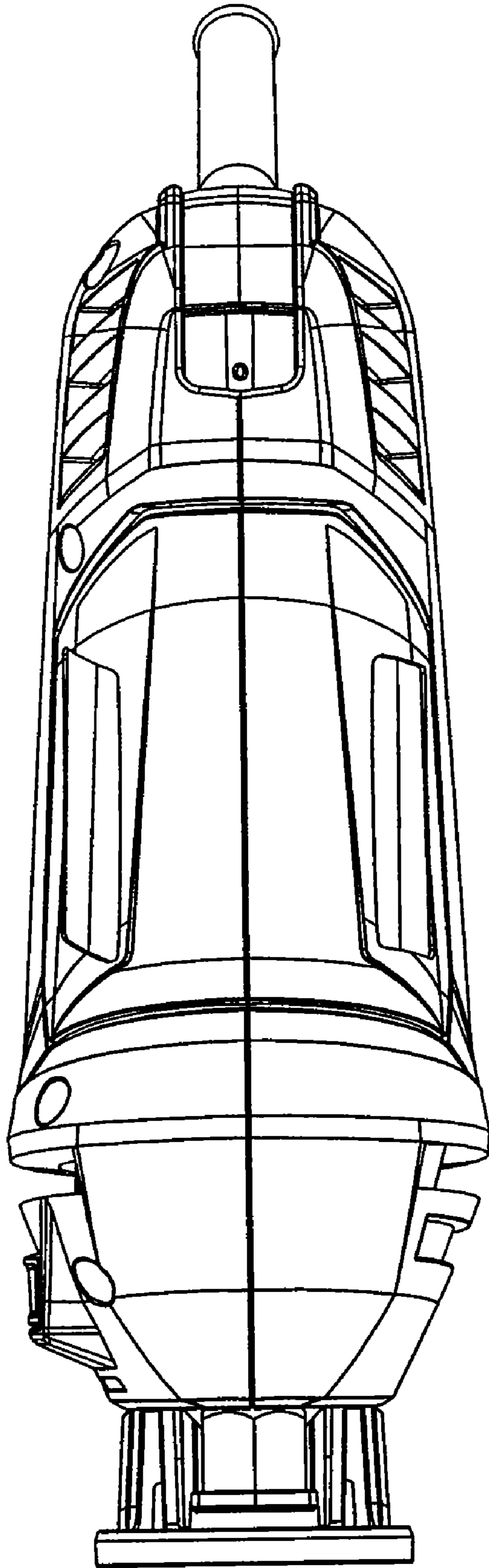


FIG. 3

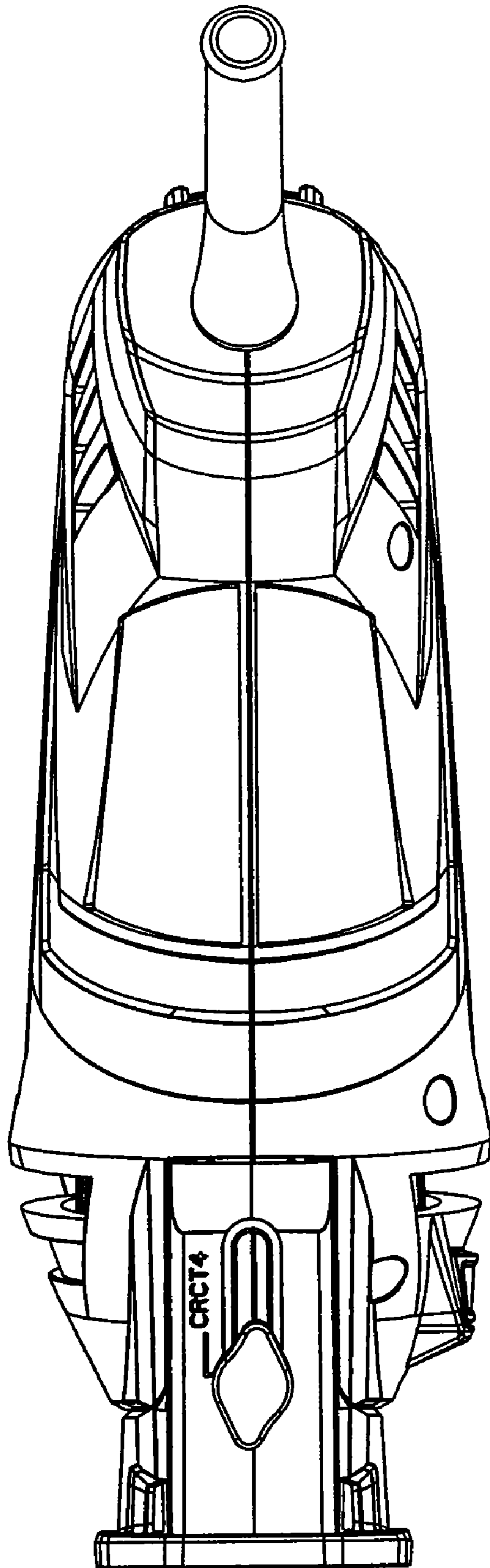


FIG. 4

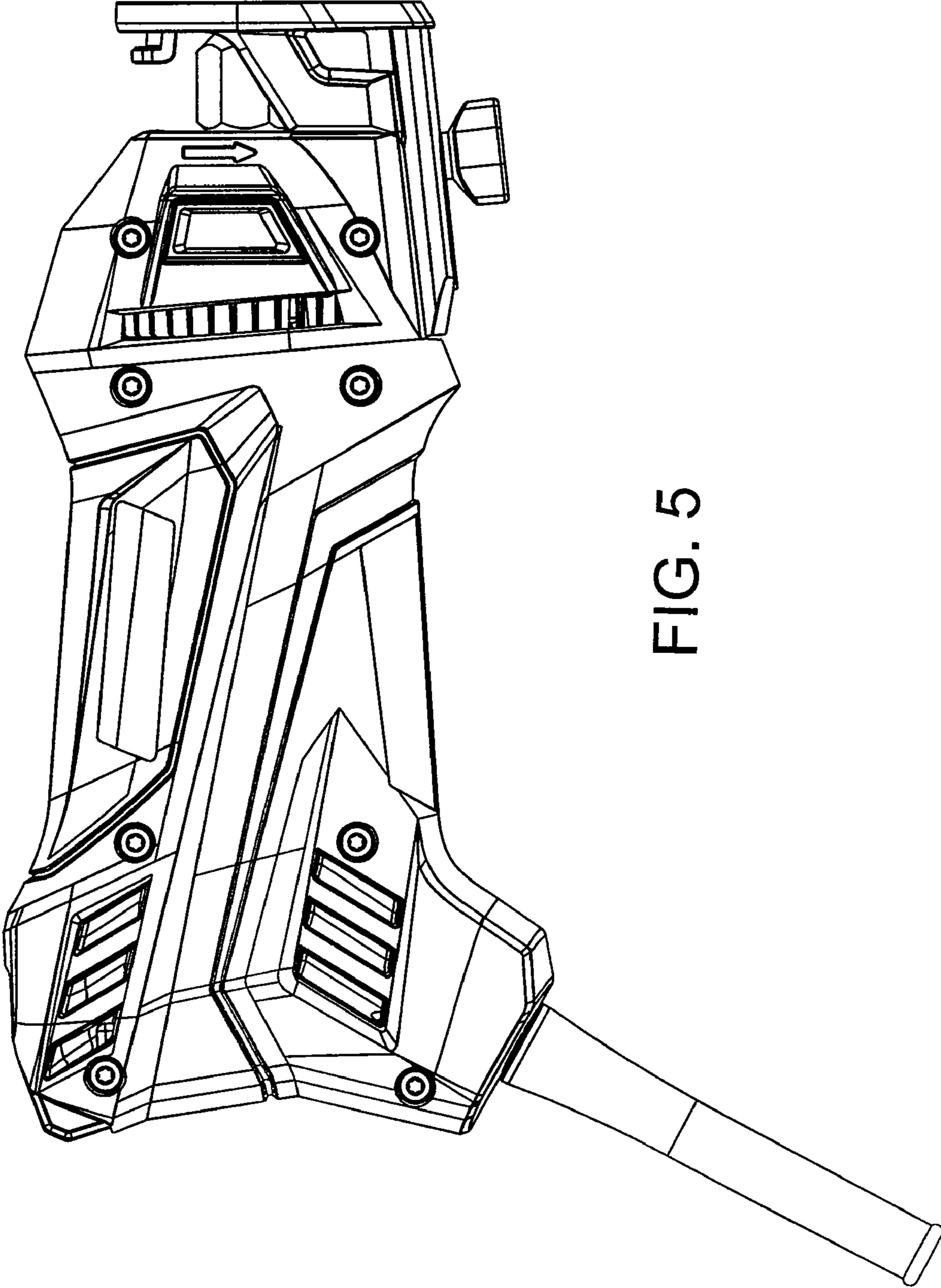


FIG. 5

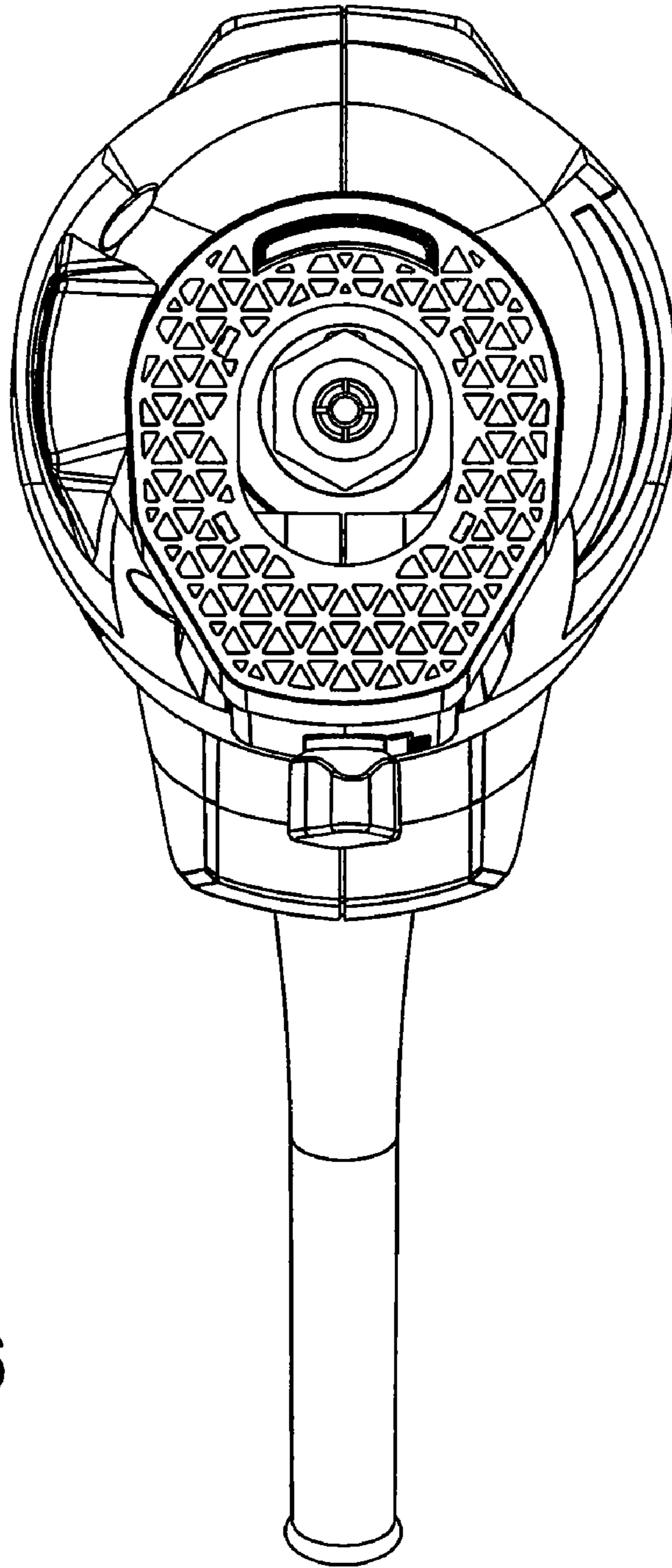


FIG. 6

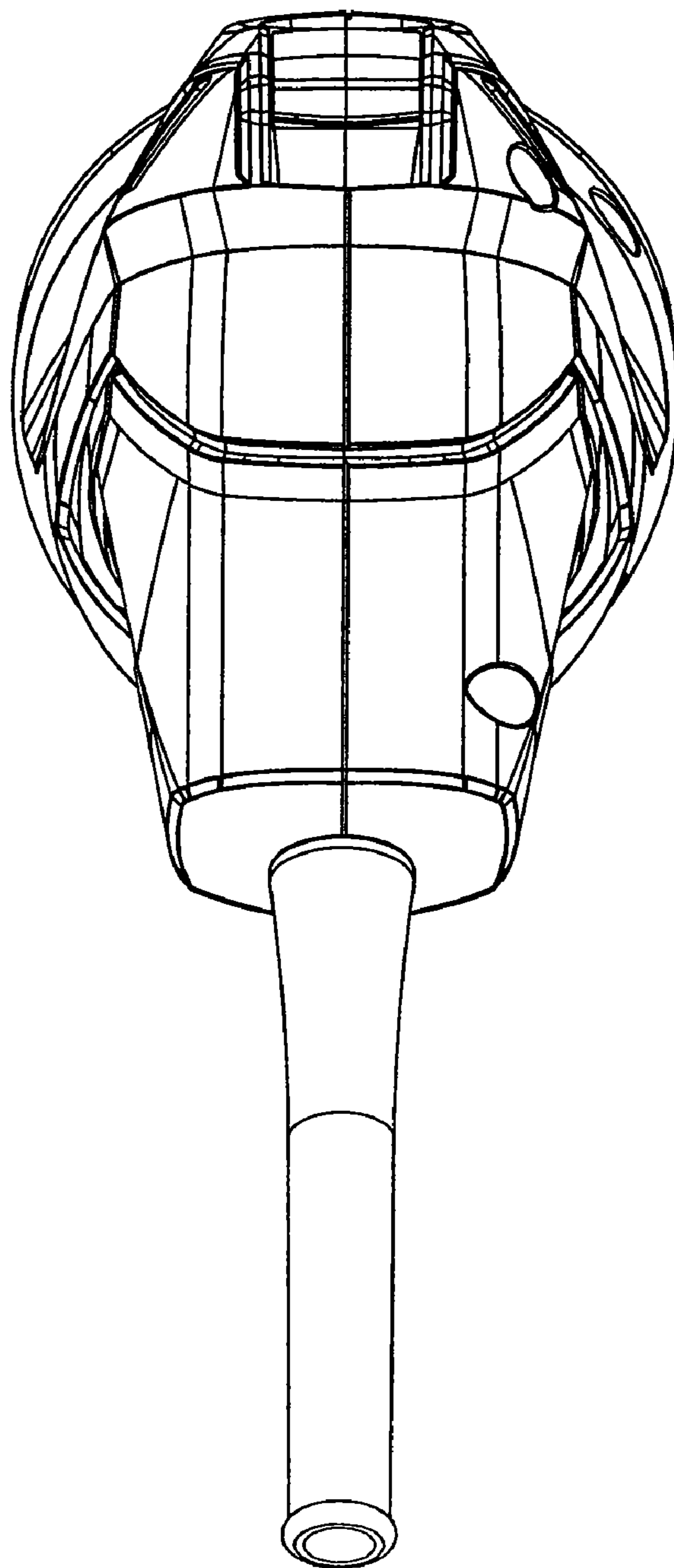


FIG. 7