



US00D663596S

(12) **United States Design Patent**  
**Kosciolek et al.**

(10) **Patent No.:** **US D663,596 S**

(45) **Date of Patent:** **\*\* Jul. 17, 2012**

(54) **PLATEN PRESS**

(75) Inventors: **Christophe Kosciolek**, Preverenges  
(CH); **Antonio Longo**, Grandvaux (CH)

(73) Assignee: **Bobst SA** (CH)

(\*\*) Term: **14 Years**

(21) Appl. No.: **29/319,542**

(22) Filed: **Jun. 11, 2008**

(30) **Foreign Application Priority Data**

Dec. 11, 2007 (CH) ..... 134653

(51) **LOC (9) Cl.** ..... **18-02**

(52) **U.S. Cl.** ..... **D8/53**

(58) **Field of Classification Search** ..... D18/34.1,  
D18/34.2, 36-41, 46-19, 53, 35.1, 51; D14/302,  
D14/305; 399/1-7, 16, 75, 81, 107, 130,  
399/151, 361, 365, 367, 381-383, 388  
See application file for complete search history.

(56) **References Cited**

**U.S. PATENT DOCUMENTS**

D222,685 S \* 11/1971 Greenlee et al. .... D15/199  
D367,883 S \* 3/1996 Banks et al. .... D18/56  
6,322,663 B1 \* 11/2001 Muller et al. .... 156/441.5

D519,547 S \* 4/2006 Kumar et al. .... D18/35.1  
D587,299 S \* 2/2009 Hubler ..... D18/35.1  
D587,300 S \* 2/2009 Hubler ..... D18/35.1  
D587,301 S \* 2/2009 Hubler ..... D18/35.1  
D587,302 S \* 2/2009 Hubler ..... D18/35.1

\* cited by examiner

*Primary Examiner* — Ian Simmons

*Assistant Examiner* — Charles D Hanson

(74) *Attorney, Agent, or Firm* — Ostrolenk Faber LLP

(57) **CLAIM**

The ornamental design for a platen press, as shown and described.

**DESCRIPTION**

FIG. 1 is a perspective view of a platen press showing our new design;

FIG. 2 is a front view thereof;

FIG. 3 is a rear view thereof;

FIG. 4 is a left side view thereof;

FIG. 5 is a right side view thereof; and,

FIG. 6 is a top view thereof.

The broken lines in the drawings illustrate environmental material that forms no part of the claimed design.

The bottom is not shown, as it is devoid of surface ornamentation.

**1 Claim, 6 Drawing Sheets**

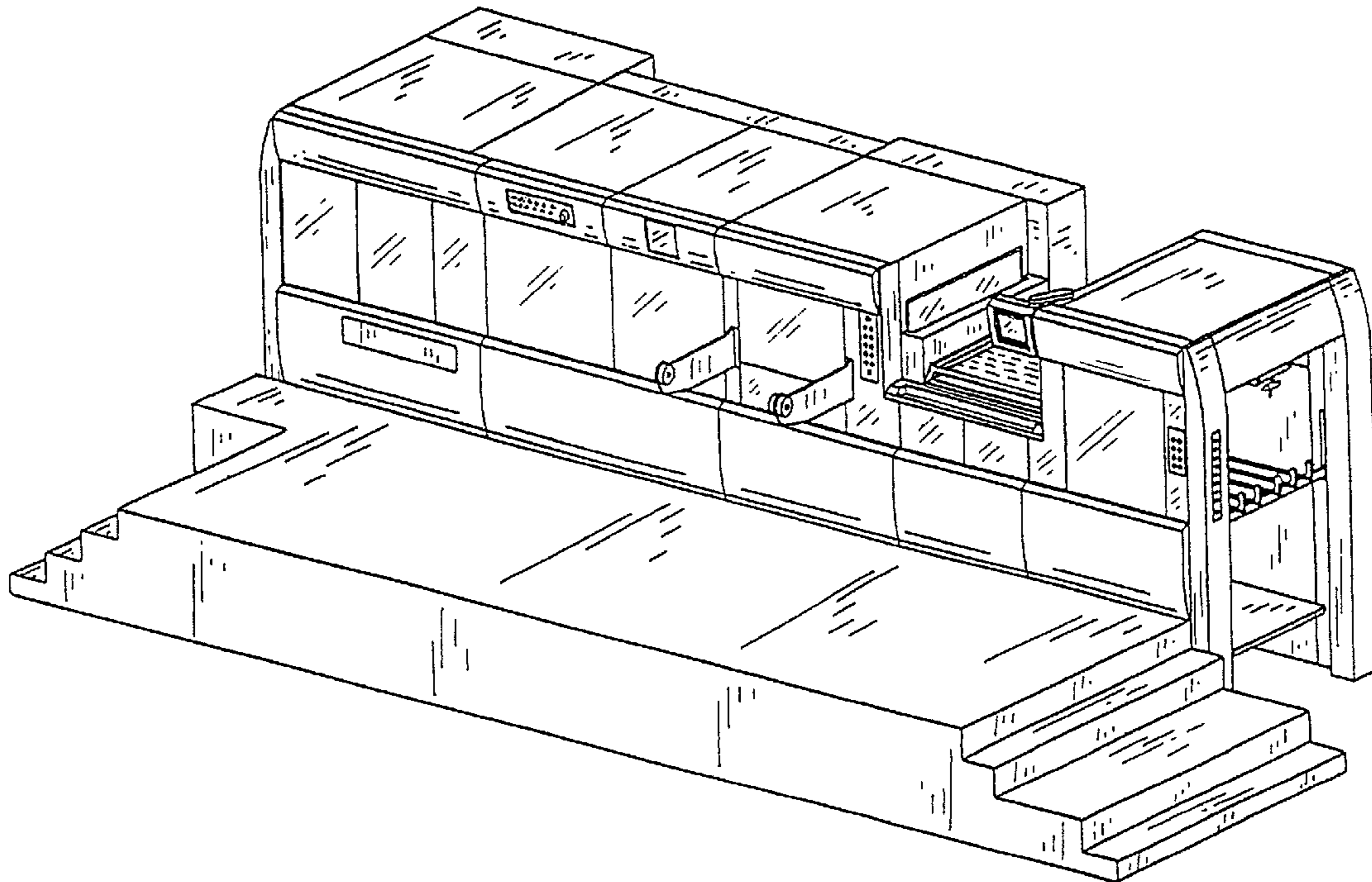


Fig. 1

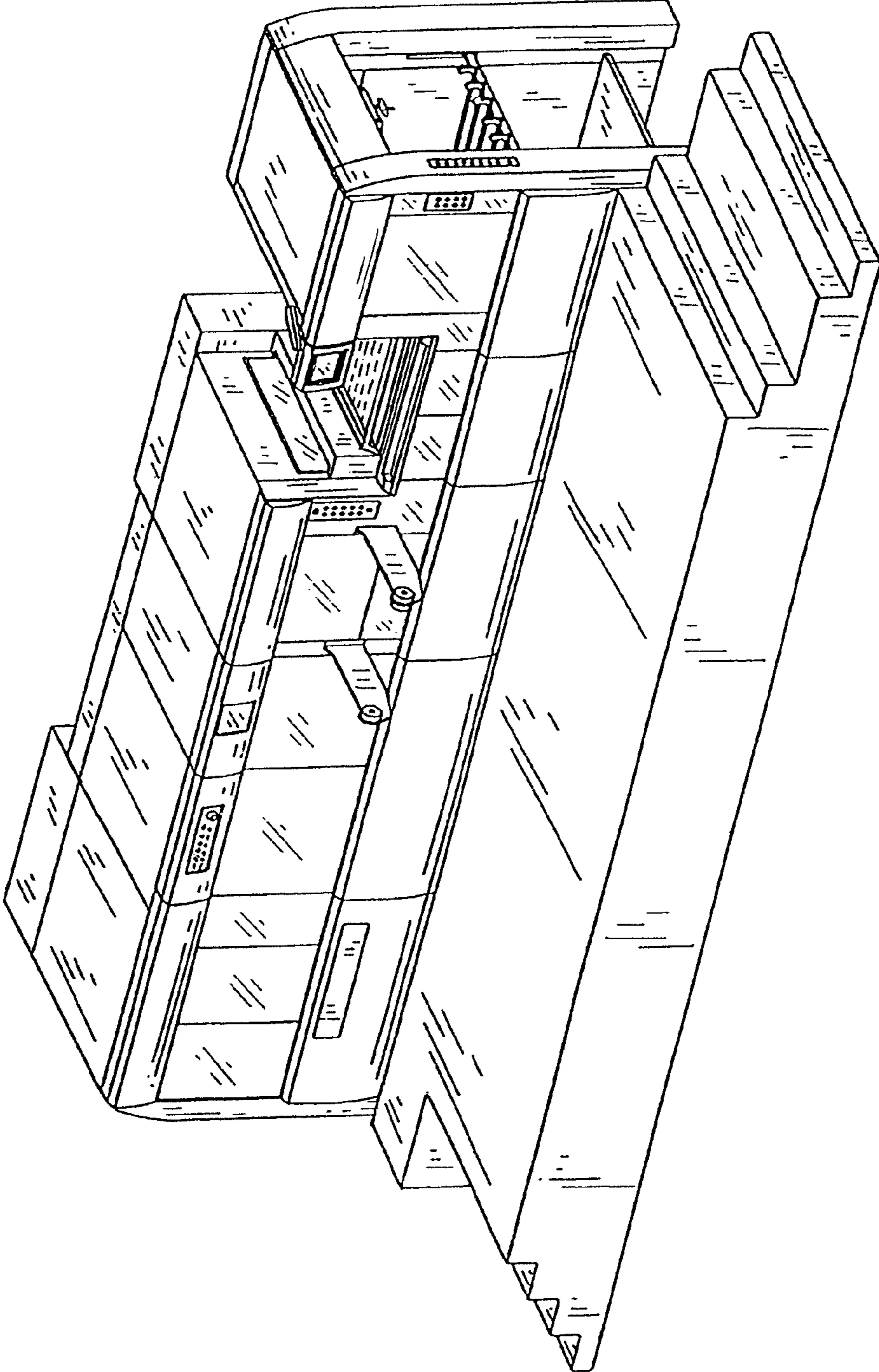


Fig. 2

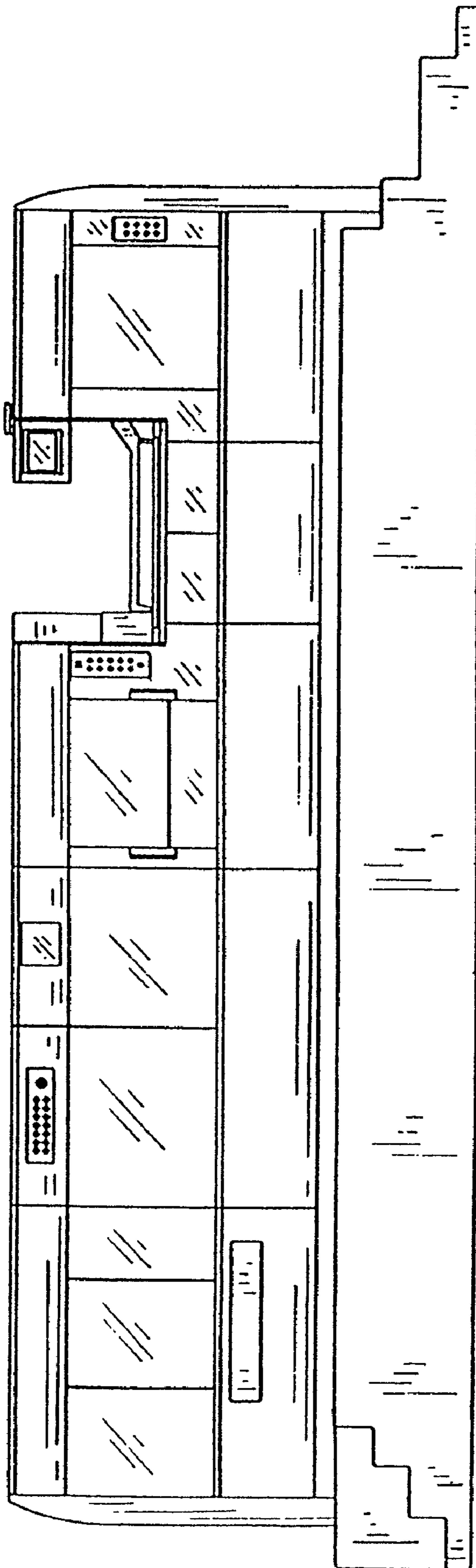


Fig. 3

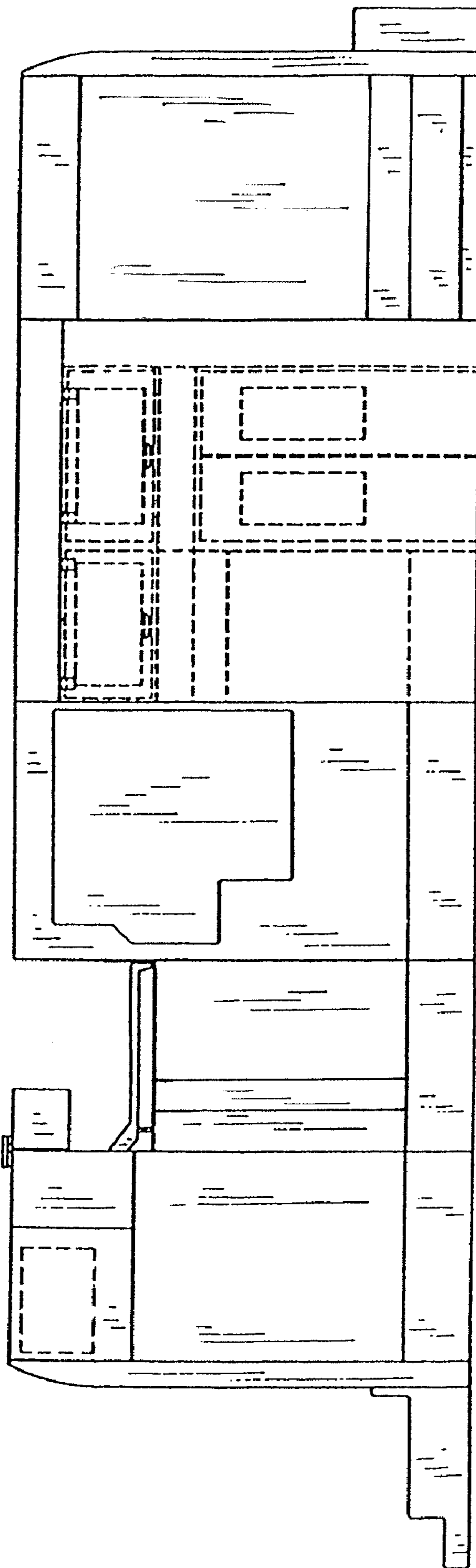


Fig. 4

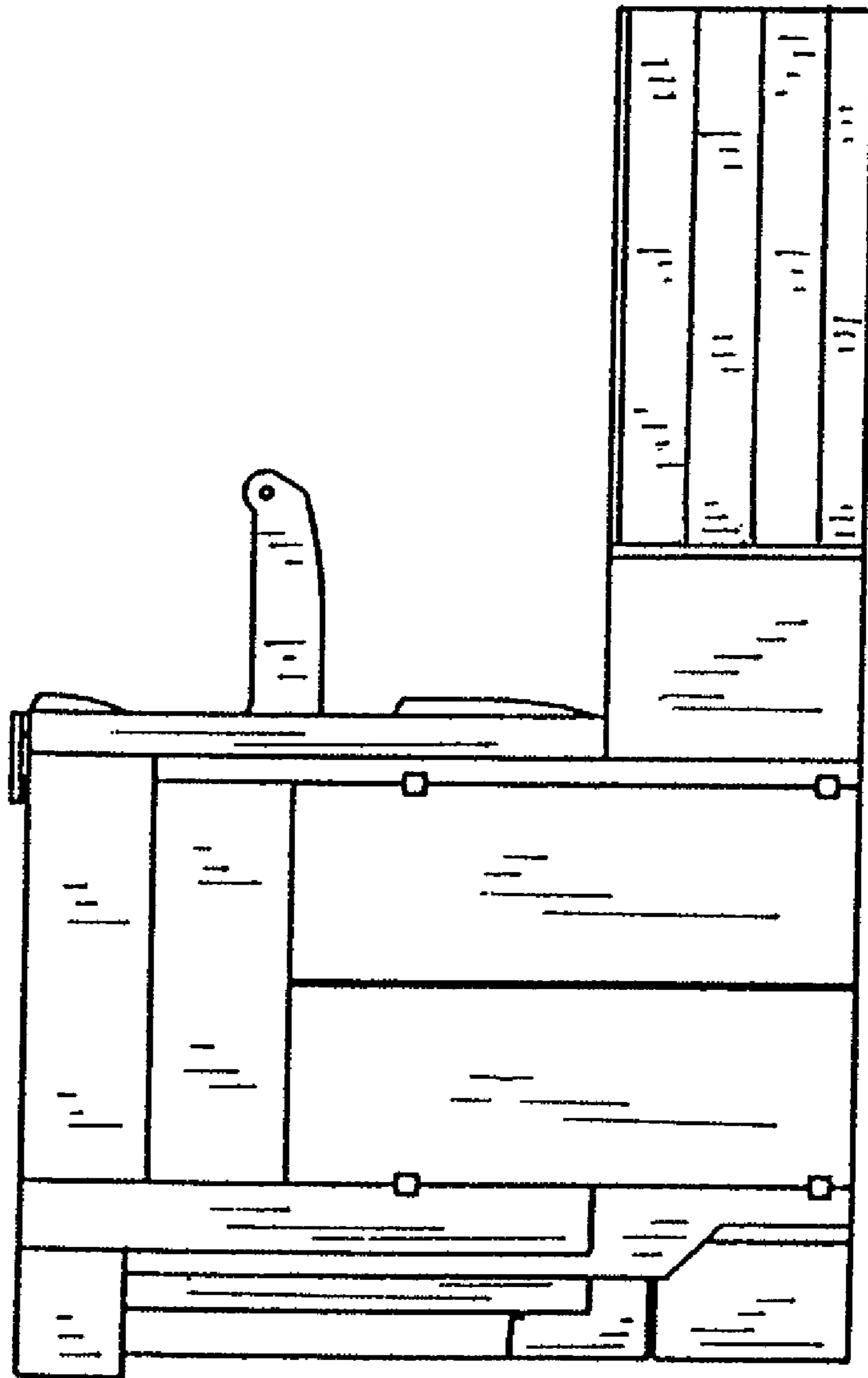


Fig. 5

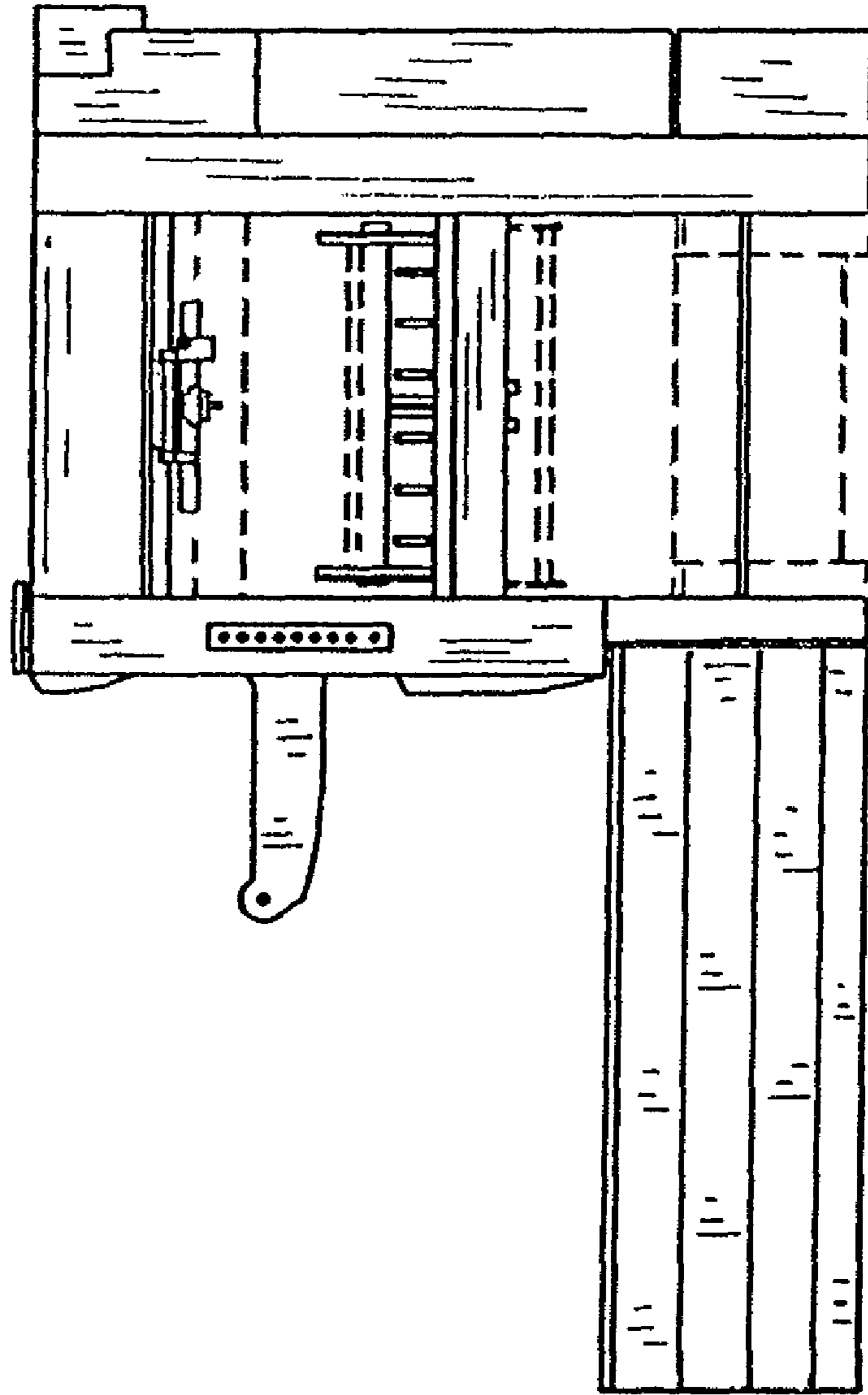


Fig. 6

