

US00D663593S

(12) **United States Design Patent**  
**Huynh**

(10) **Patent No.:** **US D663,593 S**  
(45) **Date of Patent:** **\*\* Jul. 17, 2012**

(54) **BEVERAGE SAVER/POURER**  
(76) Inventor: **Chi Huynh**, San Dimas, CA (US)  
(\*\*) Term: **14 Years**  
(21) Appl. No.: **29/403,376**

D533,776	S	*	12/2006	Allen et al.	.....	D9/440
D535,558	S	*	1/2007	Kehoe et al.	.....	D9/440
D535,559	S	*	1/2007	Kehoe	.....	D9/440
D587,524	S	*	3/2009	Allen et al.	.....	D7/398
D591,594	S	*	5/2009	Jalet	.....	D9/440
D623,010	S	*	9/2010	Higgins	.....	D7/387
D652,251	S	*	1/2012	Goralski et al.	.....	D7/397
2006/0000855	A1	*	1/2006	Allen et al.	.....	222/484
2011/0036873	A1		2/2011	Peckels		

(22) Filed: **Oct. 5, 2011**  
(51) **LOC (9) Cl.** ..... **07-99**  
(52) **U.S. Cl.** ..... **D7/700; D7/667; D7/400; D7/397;**  
**D9/440**  
(58) **Field of Classification Search** ..... **D7/667,**  
**D7/400, 692, 398, 397, 387, 700, 369; D9/440,**  
**D9/447, 439; 222/484, 113; D15/150; D23/200**  
See application file for complete search history.

**FOREIGN PATENT DOCUMENTS**

GB 190403519 0/1904  
\* cited by examiner

*Primary Examiner* — Marianne Pandozzi  
(74) *Attorney, Agent, or Firm* — Tutunjian & Bitetto, P.C.

(56) **References Cited**

(57) **CLAIM**  
The ornamental design for a beverage saver/pourer, as shown and described.

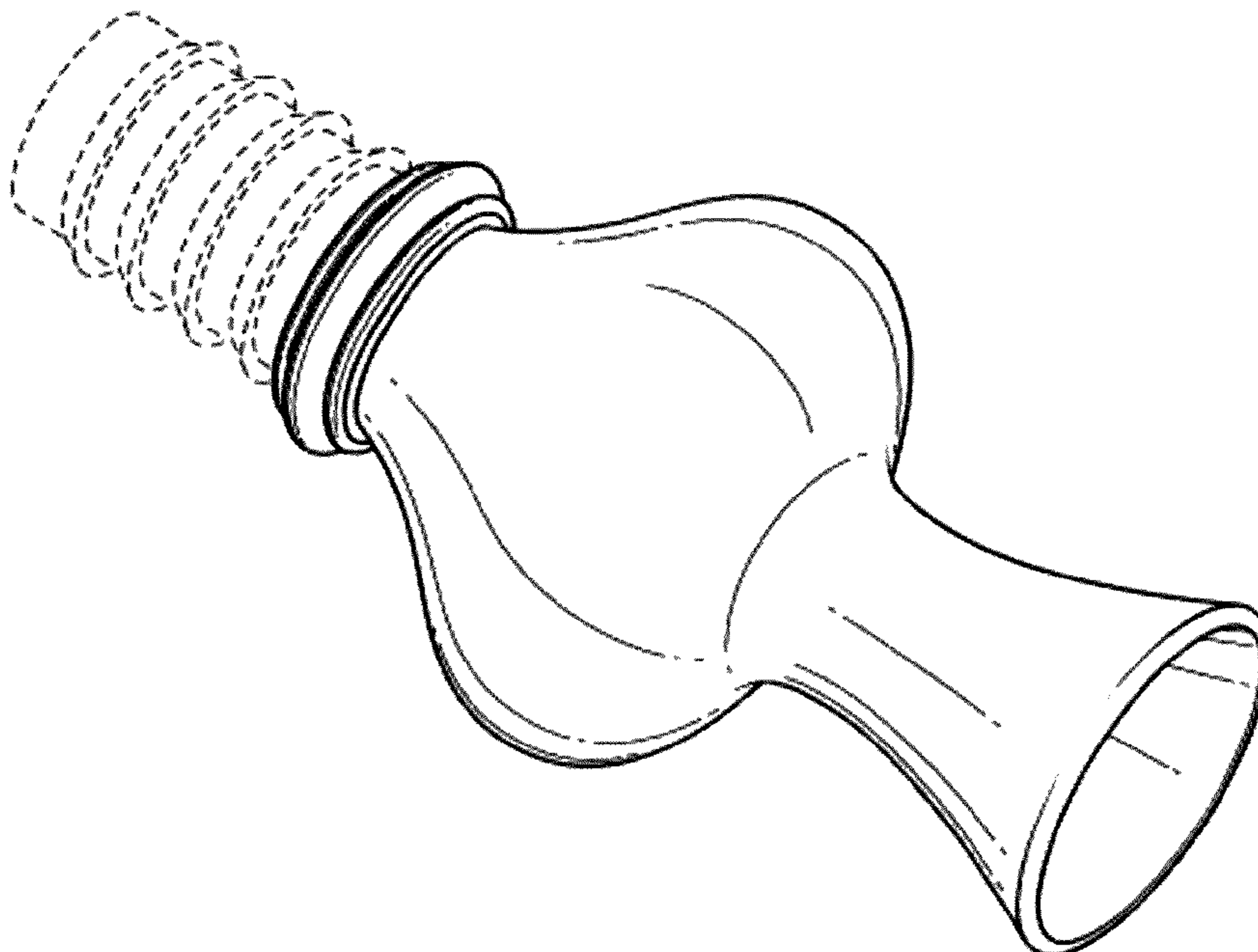
**U.S. PATENT DOCUMENTS**

**DESCRIPTION**

718,801	A	1/1903	Strauss	
788,118	A	4/1905	Perotti	
2,113,048	A	5/1936	Gross	
2,300,053	A	10/1942	Lubuic	
2,828,054	A	3/1958	Chiaramonte	
2,991,897	A	7/1961	Burnett	
3,152,712	A	10/1964	Riess	
4,473,174	A	9/1984	Heuser	
4,706,847	A	11/1987	Sankey et al.	
5,249,714	A	10/1993	Merhar	
5,641,098	A	6/1997	Roedhus et al.	
5,961,008	A	10/1999	Peckels	
6,123,225	A	9/2000	Peckels	
6,230,944	B1	5/2001	Castellano et al.	..... 222/481.5
D484,801	S	1/2004	Pierce	..... D9/440
6,742,678	B1	6/2004	Krystopik	

FIG. 1 is a top view of the beverage saver/pourer showing my new design;  
FIG. 2 is a bottom view thereof;  
FIG. 3 is a right side view thereof; the left side view, the front view and the rear view being identical to the right side view;  
FIG. 4 is a perspective view thereof; and,  
FIG. 5 is a cross-sectional view taken along lines 5-5 of FIG. 1.  
The dotted lines are shown for exemplary purposes and to not constitute part of the claimed design.

**1 Claim, 3 Drawing Sheets**



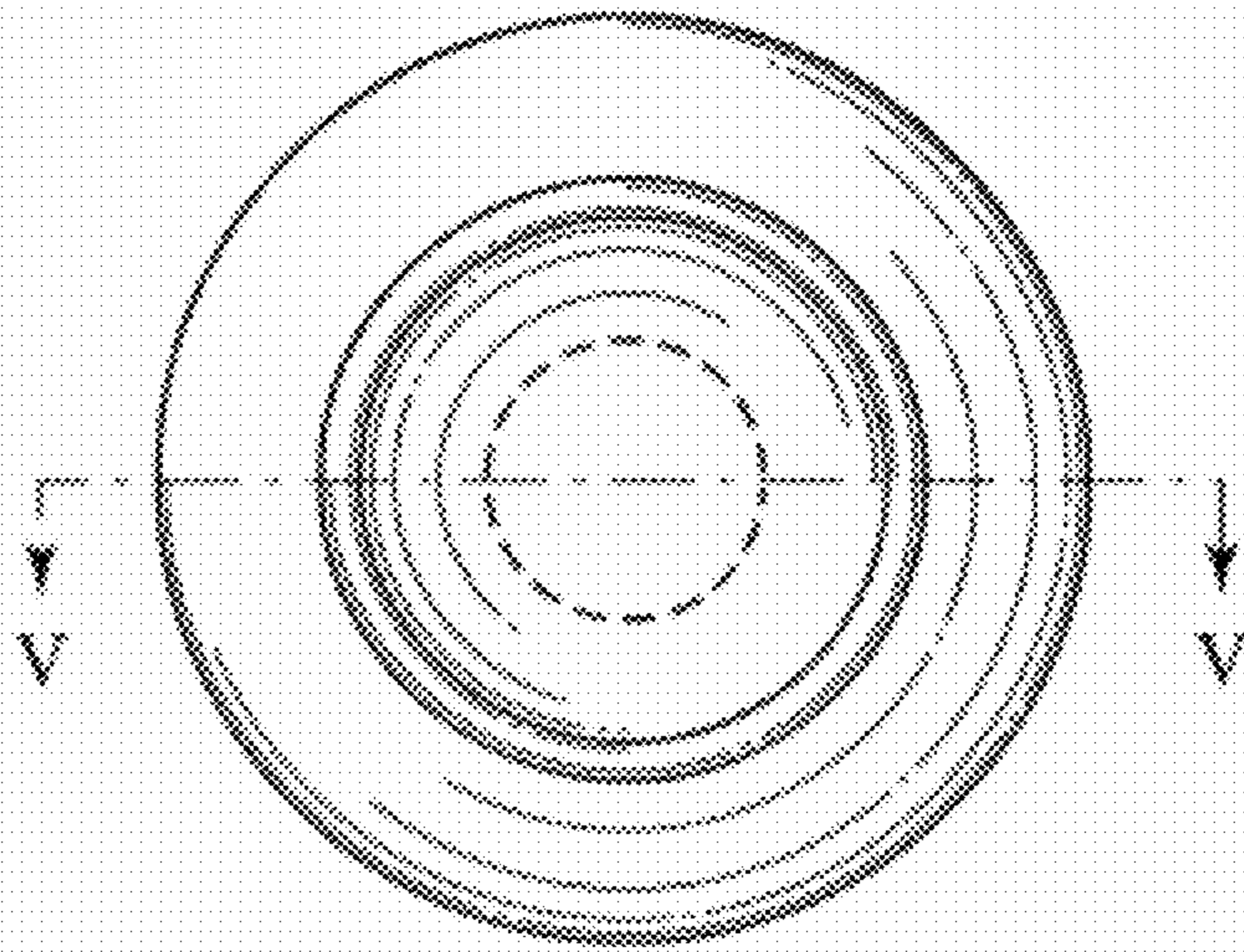


FIG. 1

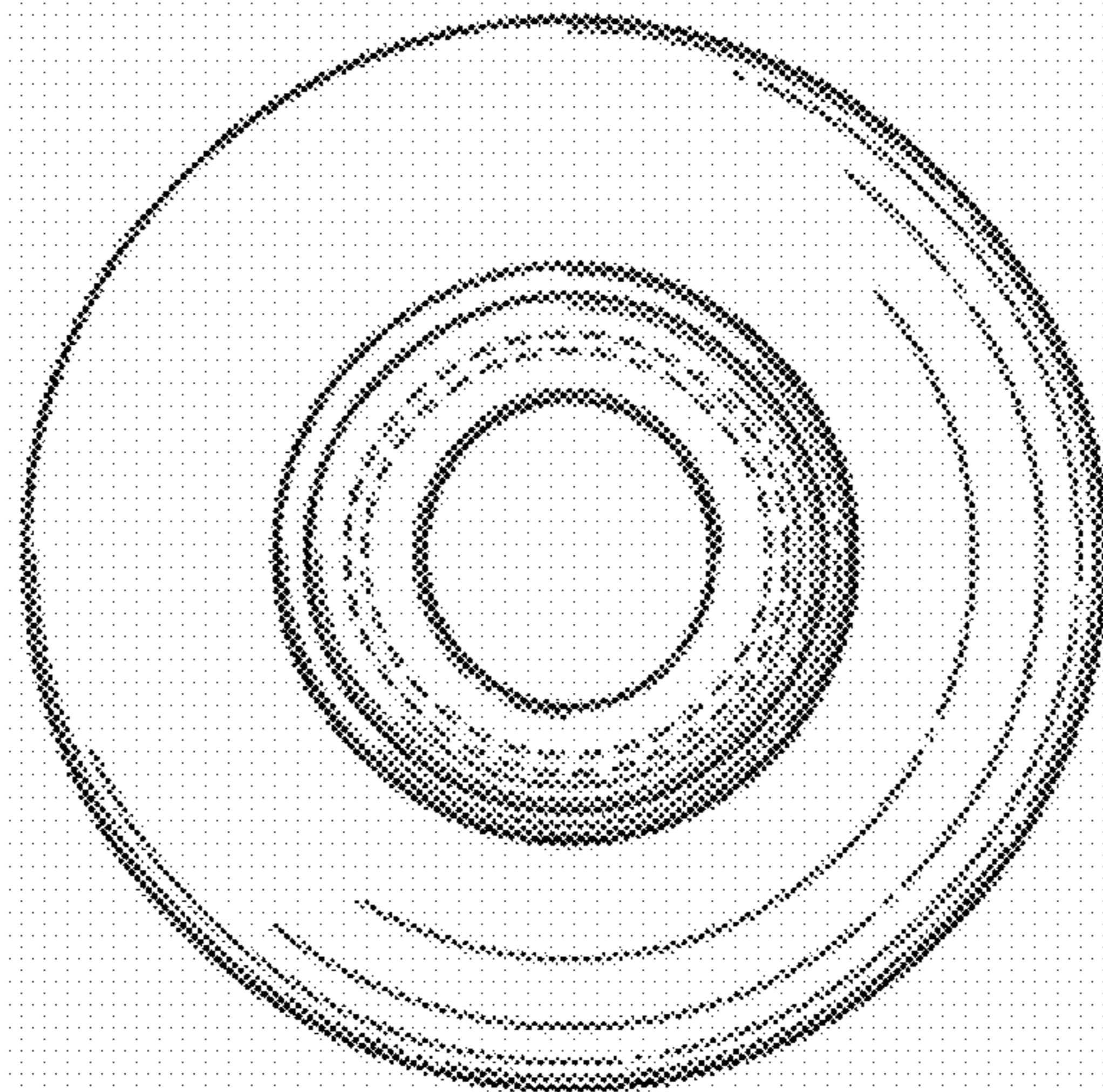


FIG. 2

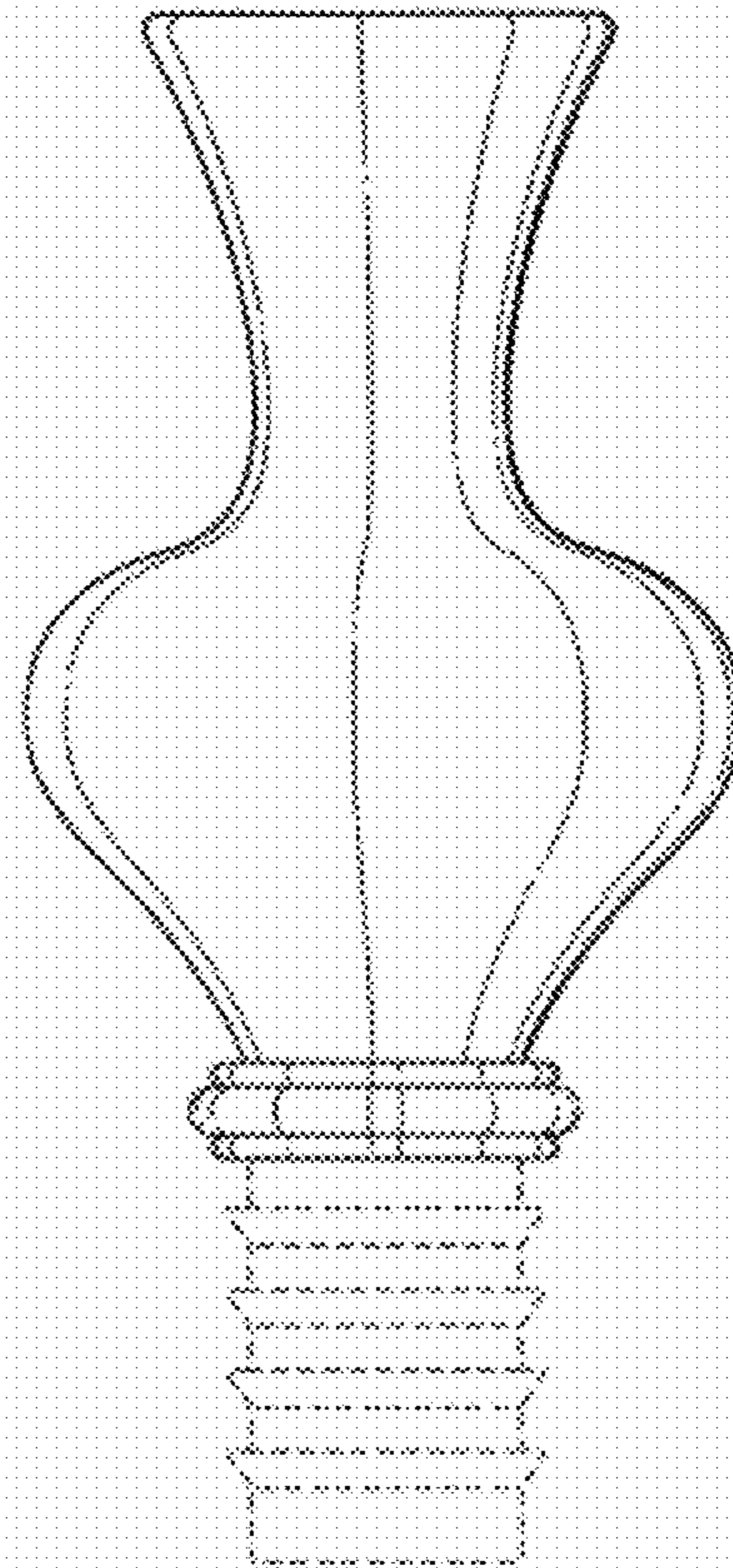


FIG. 3

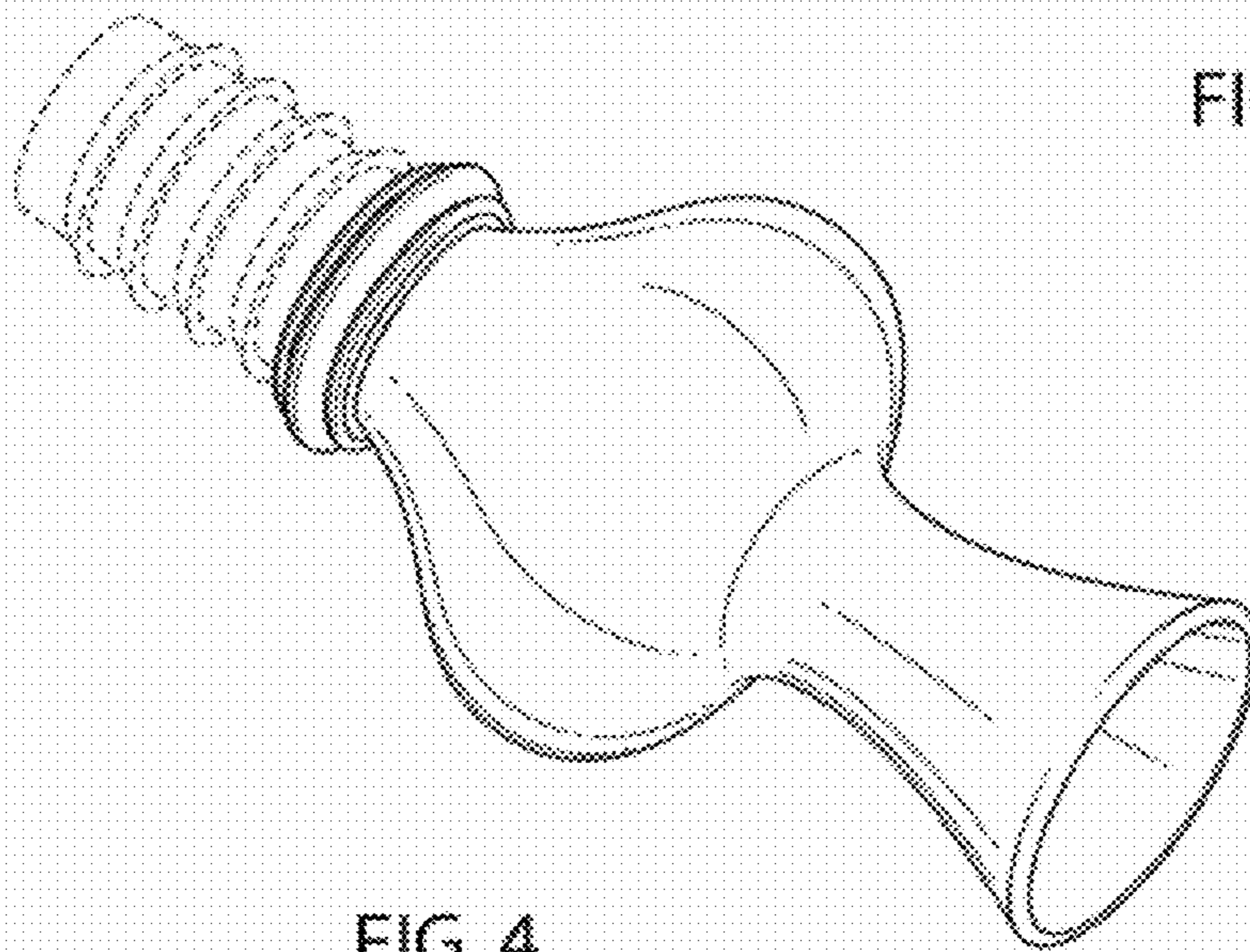


FIG. 4

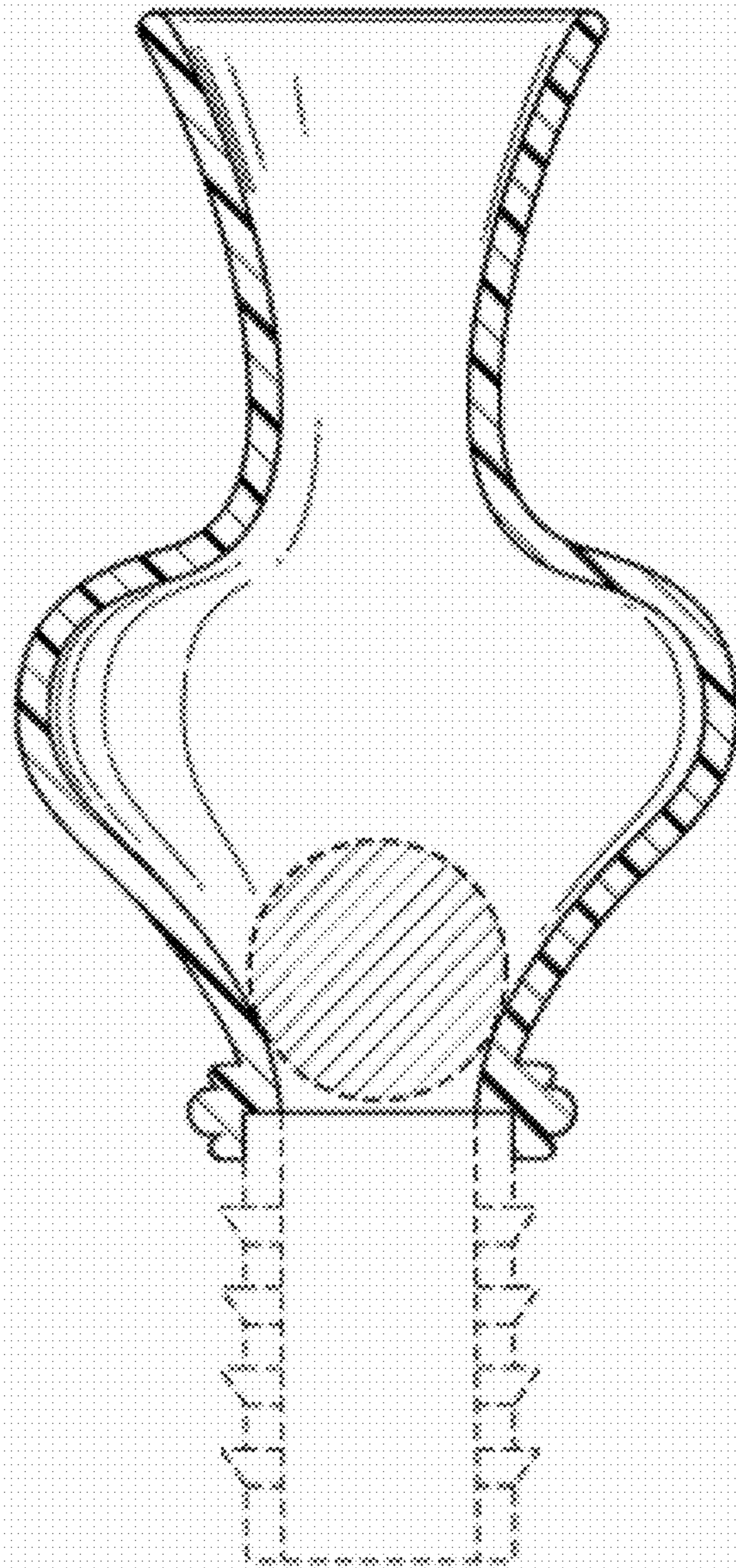


FIG. 5