



US00D663592S

(12) **United States Design Patent**
Bridges et al.

(10) **Patent No.:** **US D663,592 S**

(45) **Date of Patent:** **** Jul. 17, 2012**

(54) **COLLAPSIBLE FUNNEL**

(75) Inventors: **Michael A. Bridges**, Seattle, WA (US);
Marcus Alan Latham, Seattle, WA (US)

(73) Assignee: **HaloSource, Inc.**, Bothell, WA (US)

(**) Term: **14 Years**

(21) Appl. No.: **29/386,197**

(22) Filed: **Feb. 25, 2011**

(51) **LOC (9) Cl.** **07-99**

(52) **U.S. Cl.** **D7/700; D7/396.2**

(58) **Field of Classification Search** D7/700,
D7/400, 368, 543, 523, 396.2, 510, 512;
D23/200; 141/331, 332, 333, 334, 337, 340,
141/345, 297-300; 220/86.2; D10/46.2;
D14/208; D30/129, 132; D15/150; D24/122;
D9/436

See application file for complete search history.

(56) **References Cited**

U.S. PATENT DOCUMENTS

463,473	A *	11/1891	Beam	141/73
518,530	A *	4/1894	McAlpin	220/212
1,134,837	A *	4/1915	Fox	210/482
1,339,562	A *	5/1920	Hurt	220/86.2
1,365,362	A *	1/1921	Williams	220/86.2
3,781,922	A *	1/1974	Ericson	4/144.1
D284,825	S *	7/1986	Zinbarg	D7/672
D400,316	S *	10/1998	Kolterman et al.	D30/132
5,967,875	A *	10/1999	Graef	446/74
6,209,737	B1 *	4/2001	Bliss	215/228
6,223,792	B1 *	5/2001	Slagle	141/331
D576,848	S *	9/2008	Williams	D7/700
7,690,521	B1 *	4/2010	Herrera	215/11.1
D631,699	S *	2/2011	Moreau	D7/523
8,109,399	B1 *	2/2012	Sheffield et al.	215/386
2008/0053566	A1 *	3/2008	England	141/331

* cited by examiner

Primary Examiner — Jeffrey D Asch

(74) *Attorney, Agent, or Firm* — Christensen O'Connor
Johnston Kindness PLLC

(57) **CLAIM**

The ornamental design for a collapsible funnel, as shown and described.

DESCRIPTION

FIG. 1 is a perspective view of a collapsible funnel for a water bottle in a first state;

FIG. 2 is a perspective view of the collapsible funnel for a water bottle of FIG. 1;

FIG. 3 is an elevational side view of the collapsible funnel for a water bottle of FIG. 1, the front, back, right and left sides being similar;

FIG. 4 is a top plan view of the collapsible funnel for a water bottle of FIG. 1;

FIG. 5 is a bottom plan view of the collapsible funnel for a water bottle of FIG. 1;

FIG. 6 is a cross-sectional view of the collapsible funnel for a water bottle of FIG. 1;

FIG. 7 is a perspective view of the collapsible funnel for a water bottle of FIG. 1 in a second and collapsed state;

FIG. 8 is a perspective view of the collapsible funnel for a water bottle of FIG. 7;

FIG. 9 is an elevational side view of the collapsible funnel for a water bottle of FIG. 7, the front, back, right and left sides being similar;

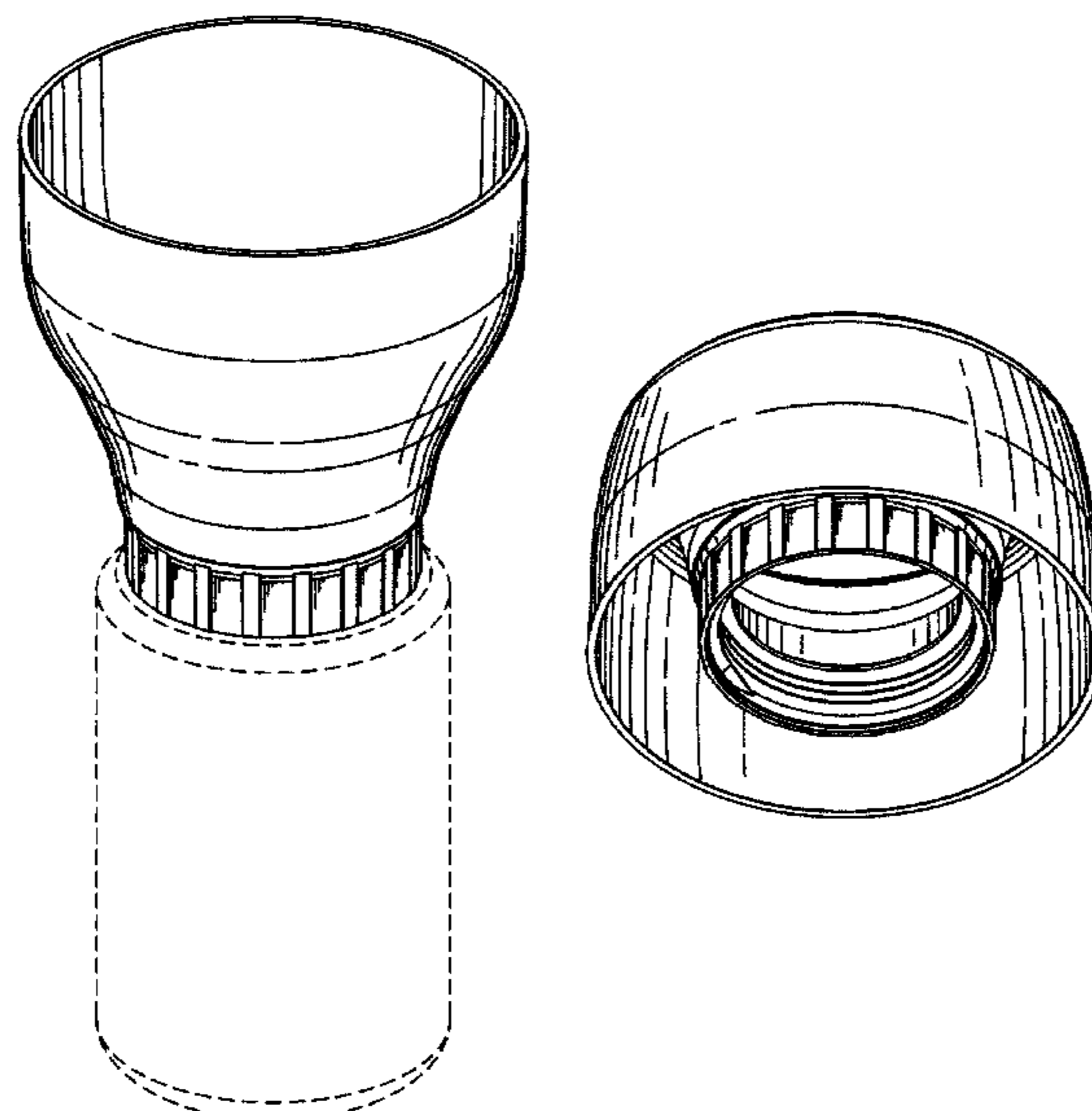
FIG. 10 is a top plan view of the collapsible funnel for a water bottle of FIG. 7;

FIG. 11 is a bottom plan view of the collapsible funnel for a water bottle of FIG. 7; and,

FIG. 12 is a cross-sectional view of the collapsible funnel for a water bottle of FIG. 7.

The broken lines of FIG. 1 are intended to show the environment of the collapsible funnel for a water bottle and form no part of the claimed design.

1 Claim, 10 Drawing Sheets



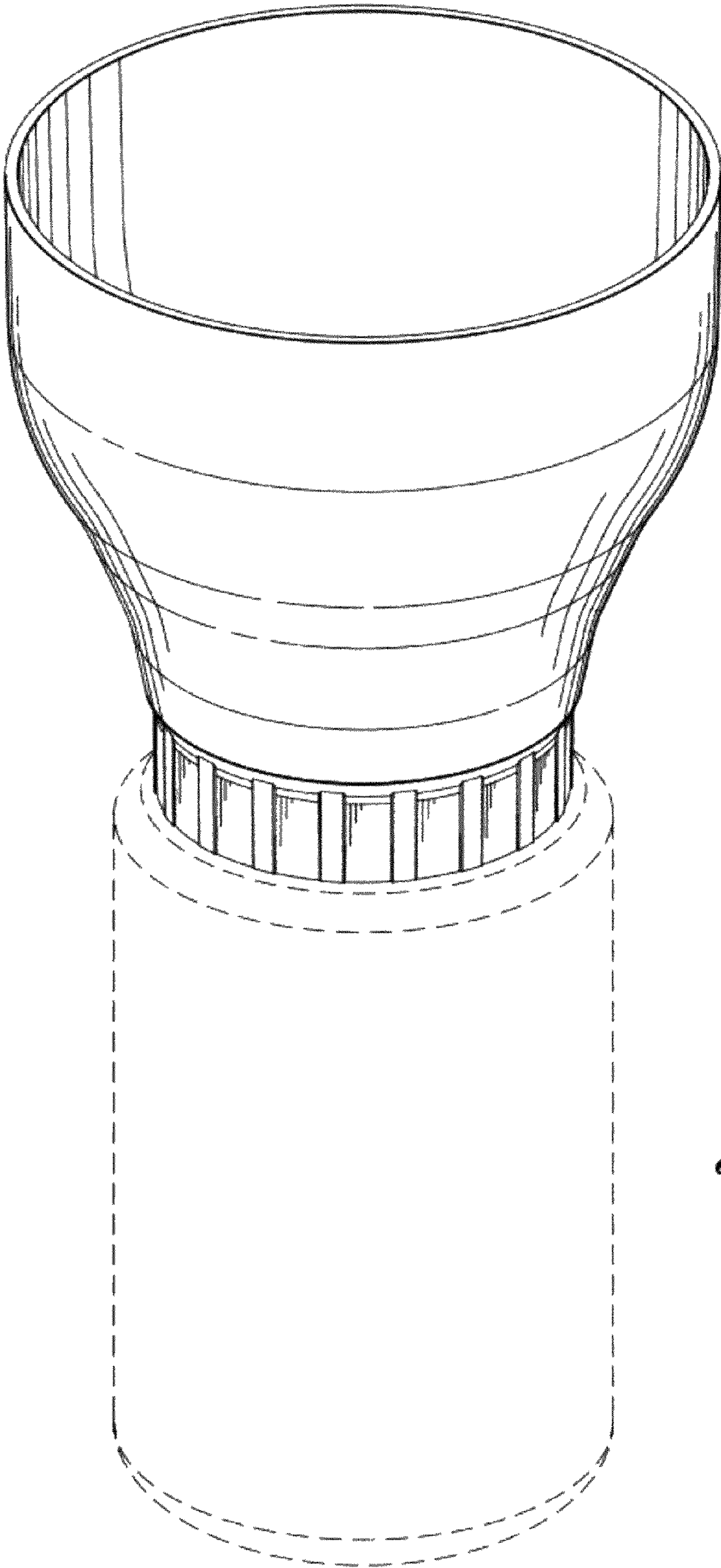


Fig. 1.

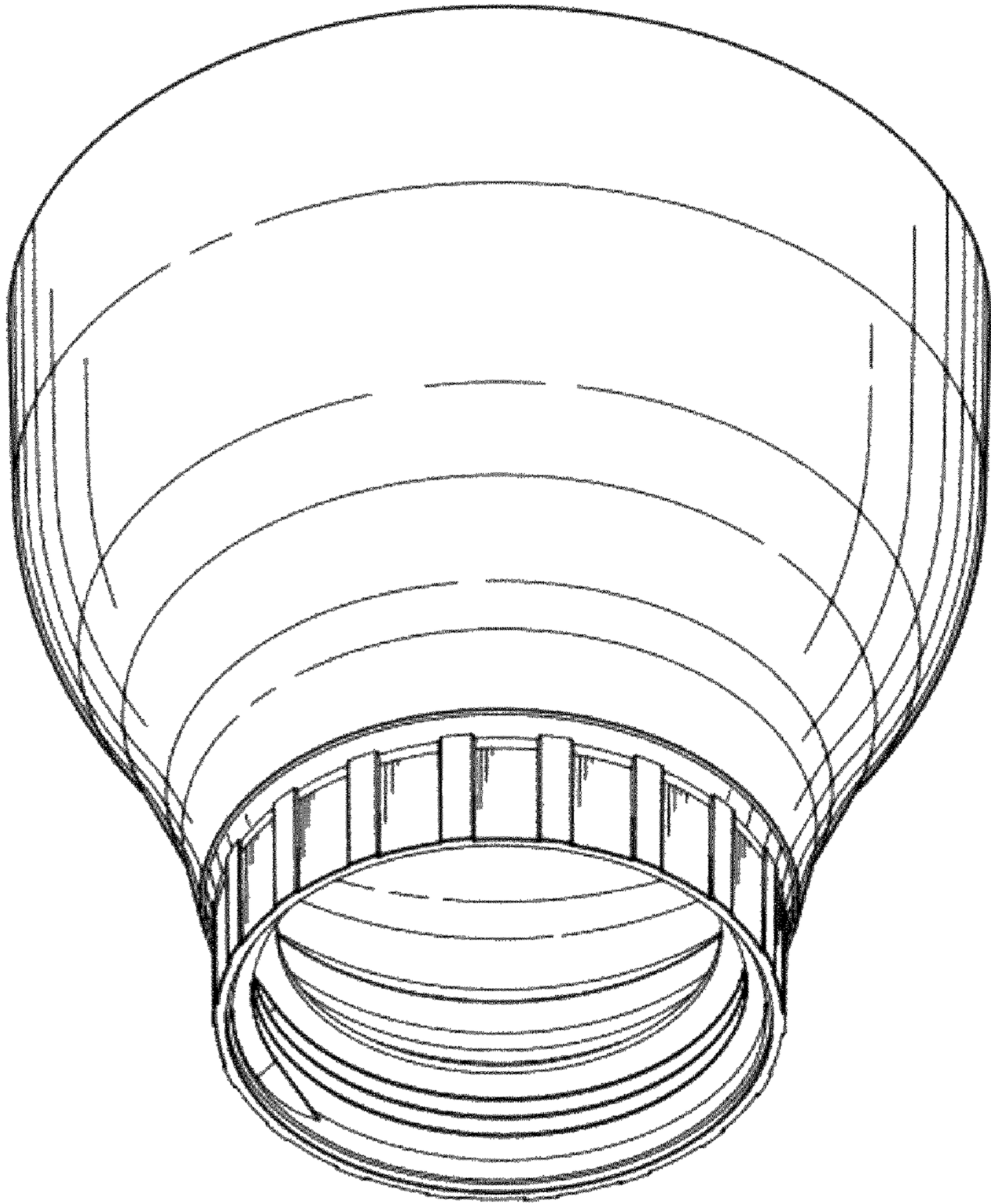


Fig. 2.

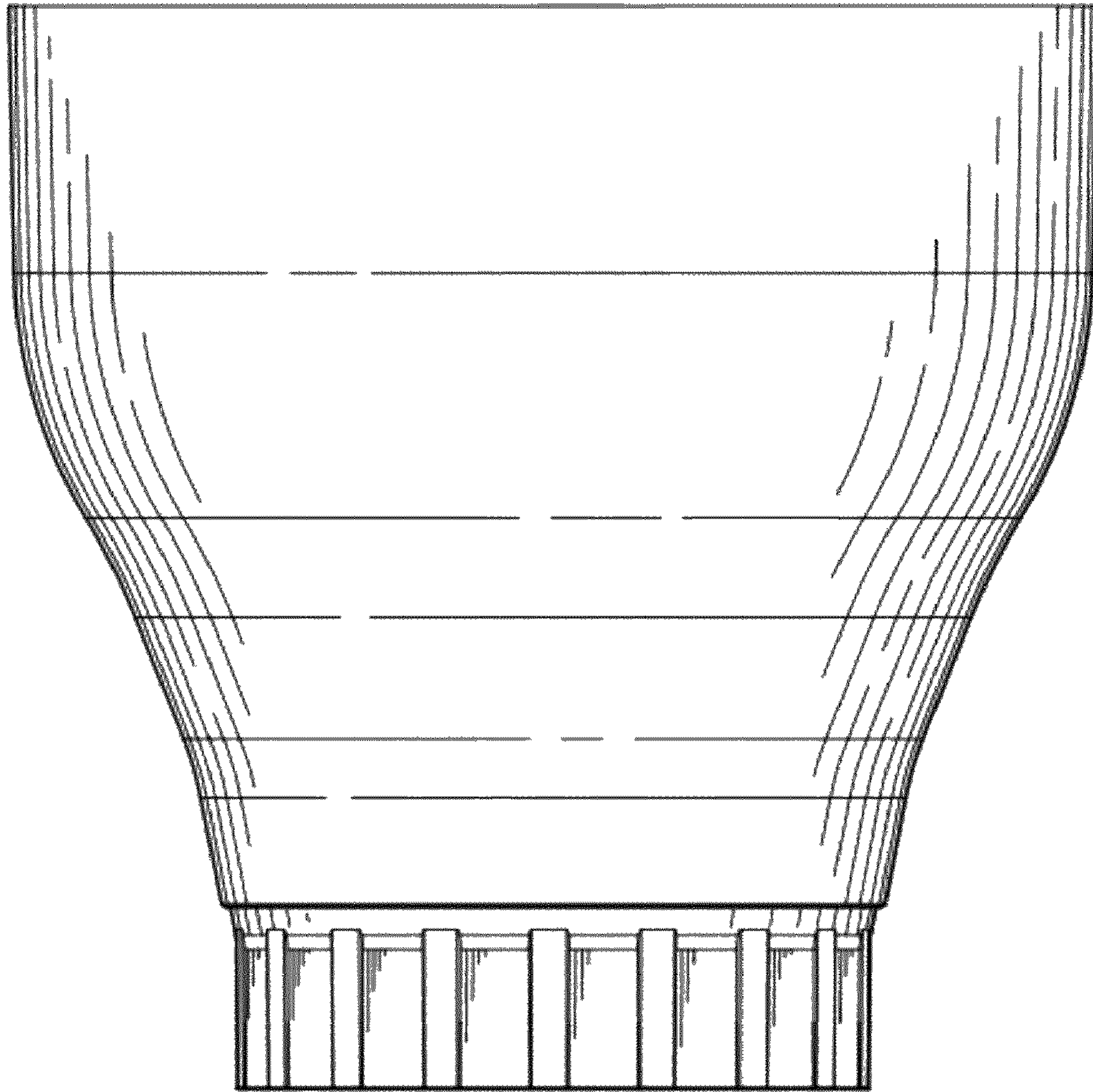


Fig. 3.

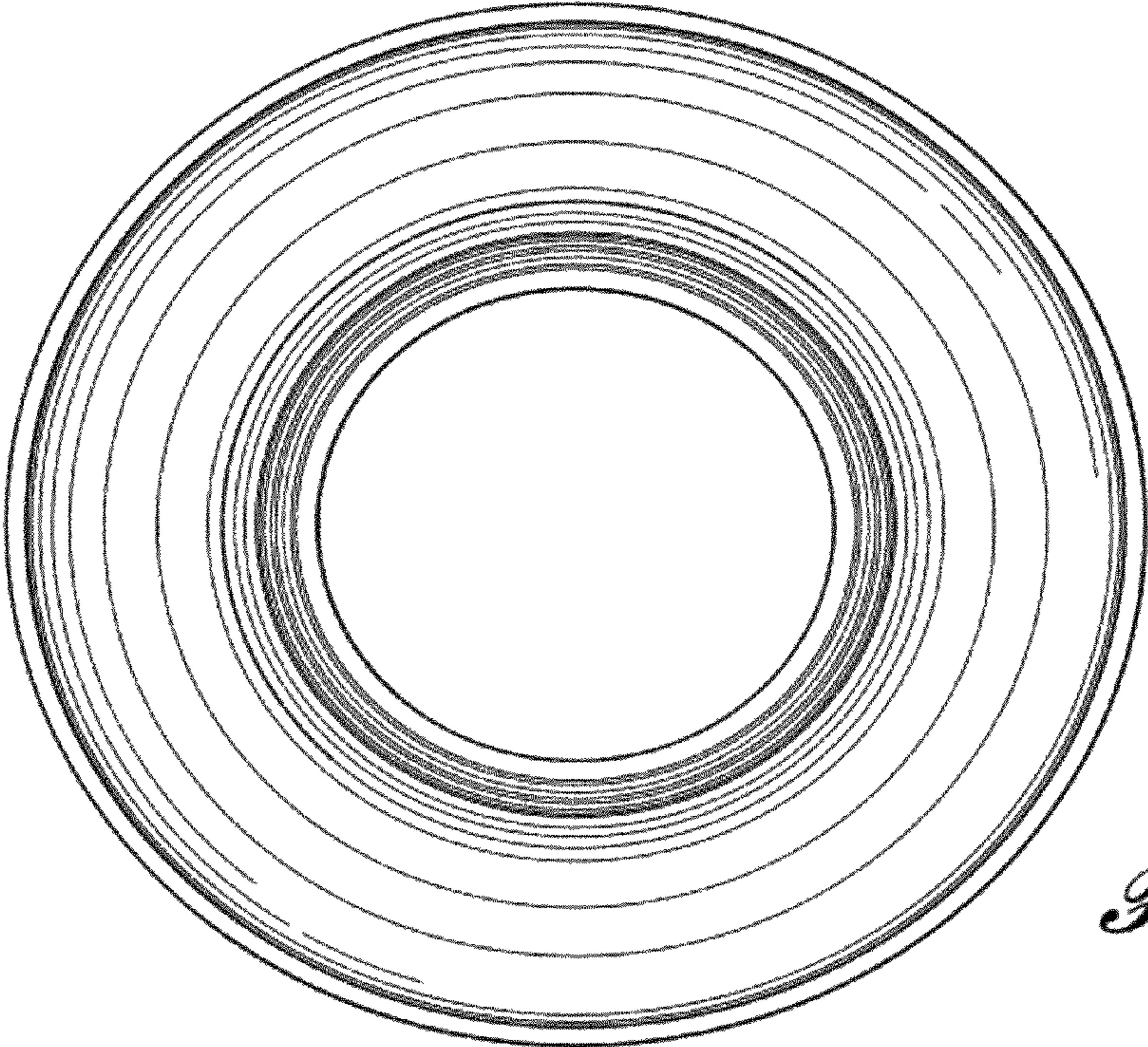


Fig. 4.

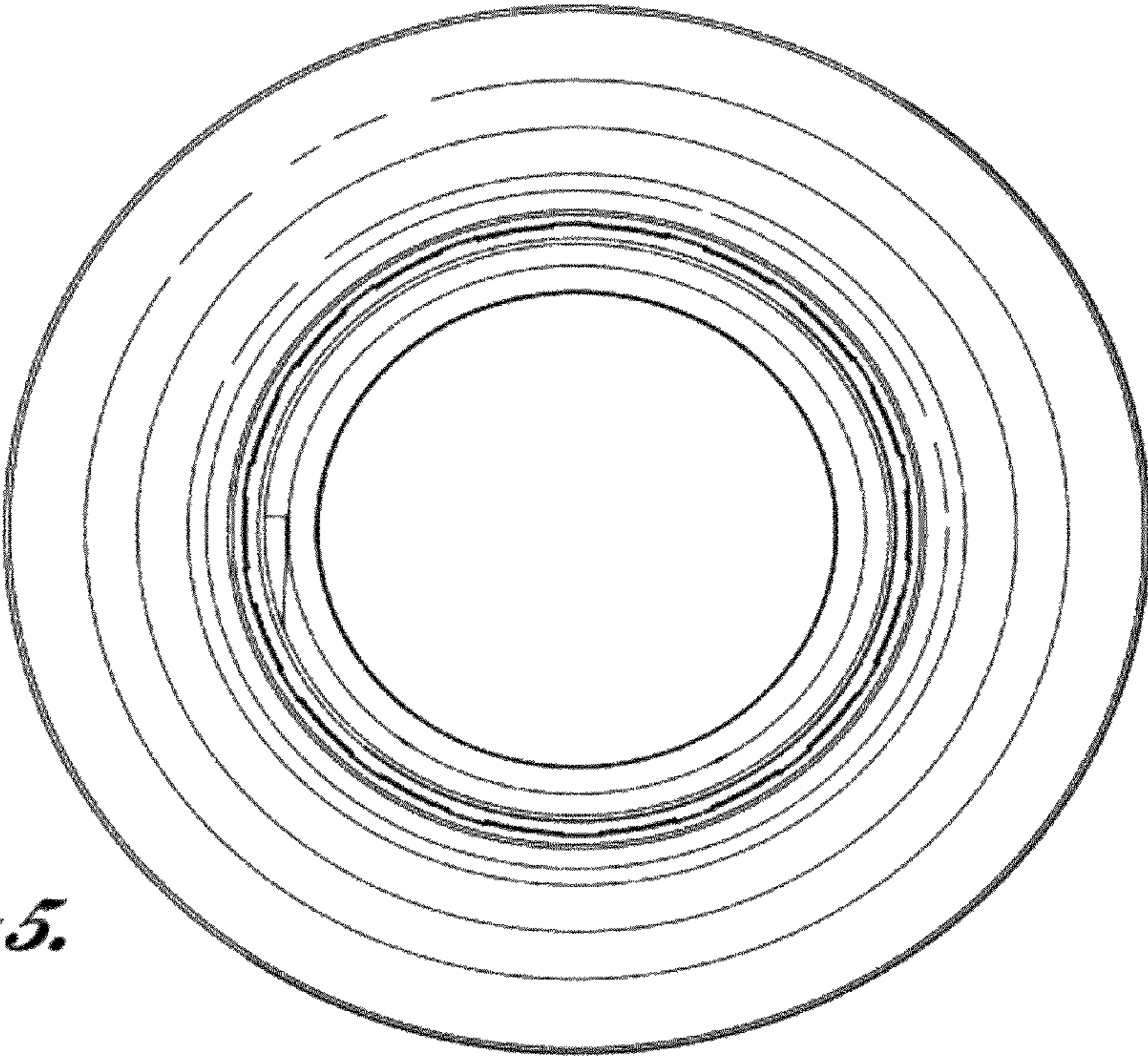


Fig. 5.

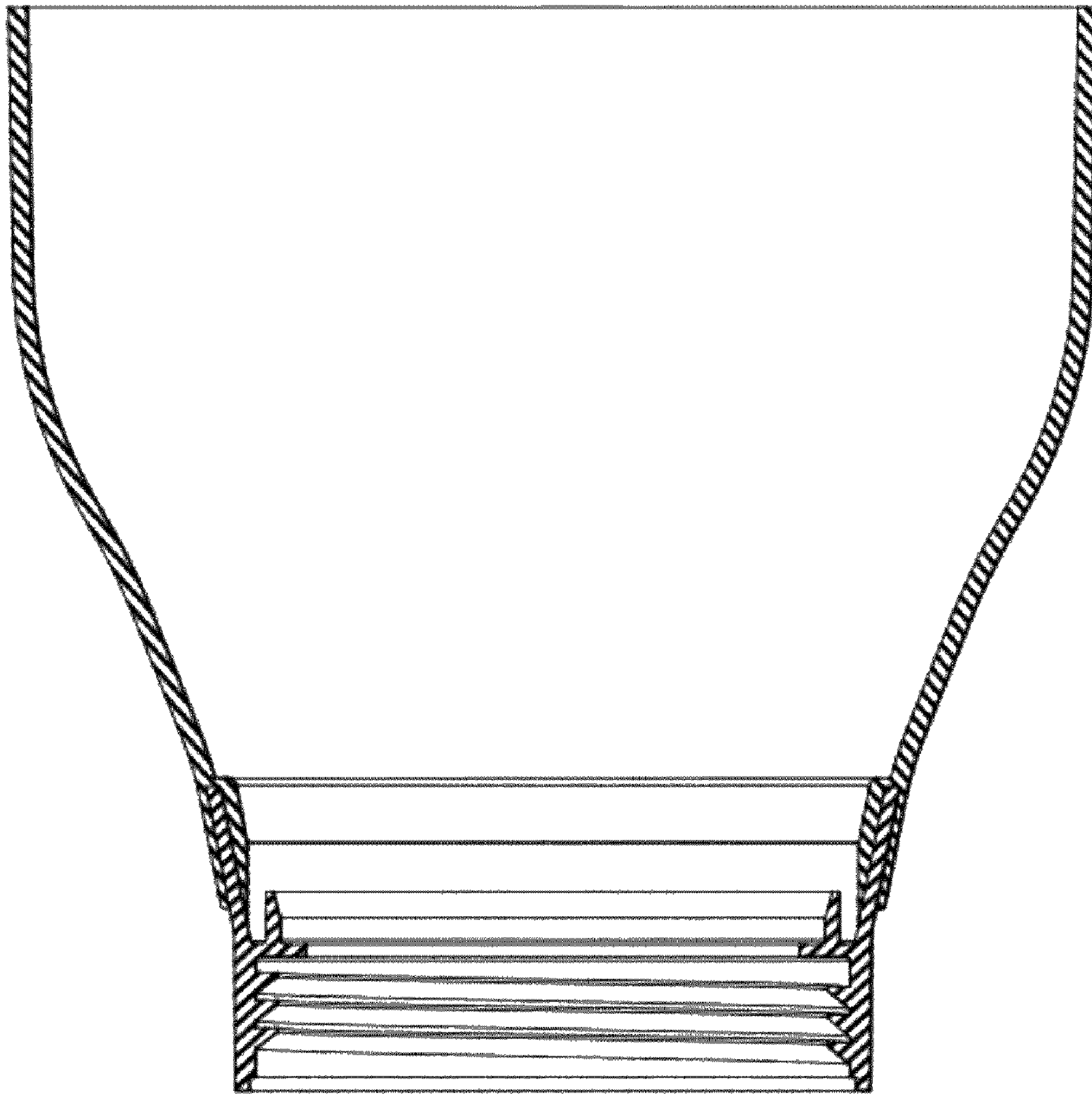


Fig. 6.

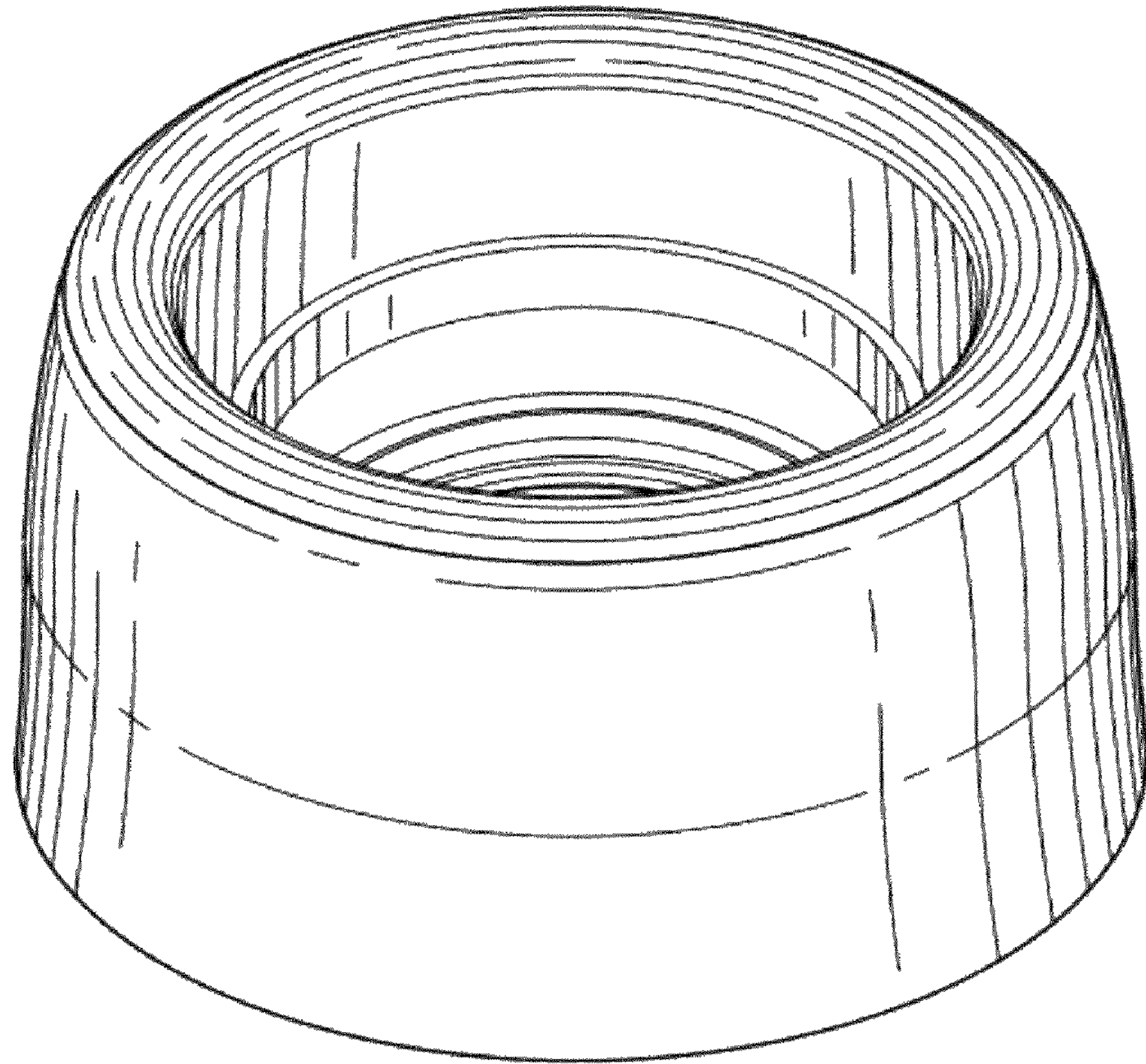


Fig. 7.

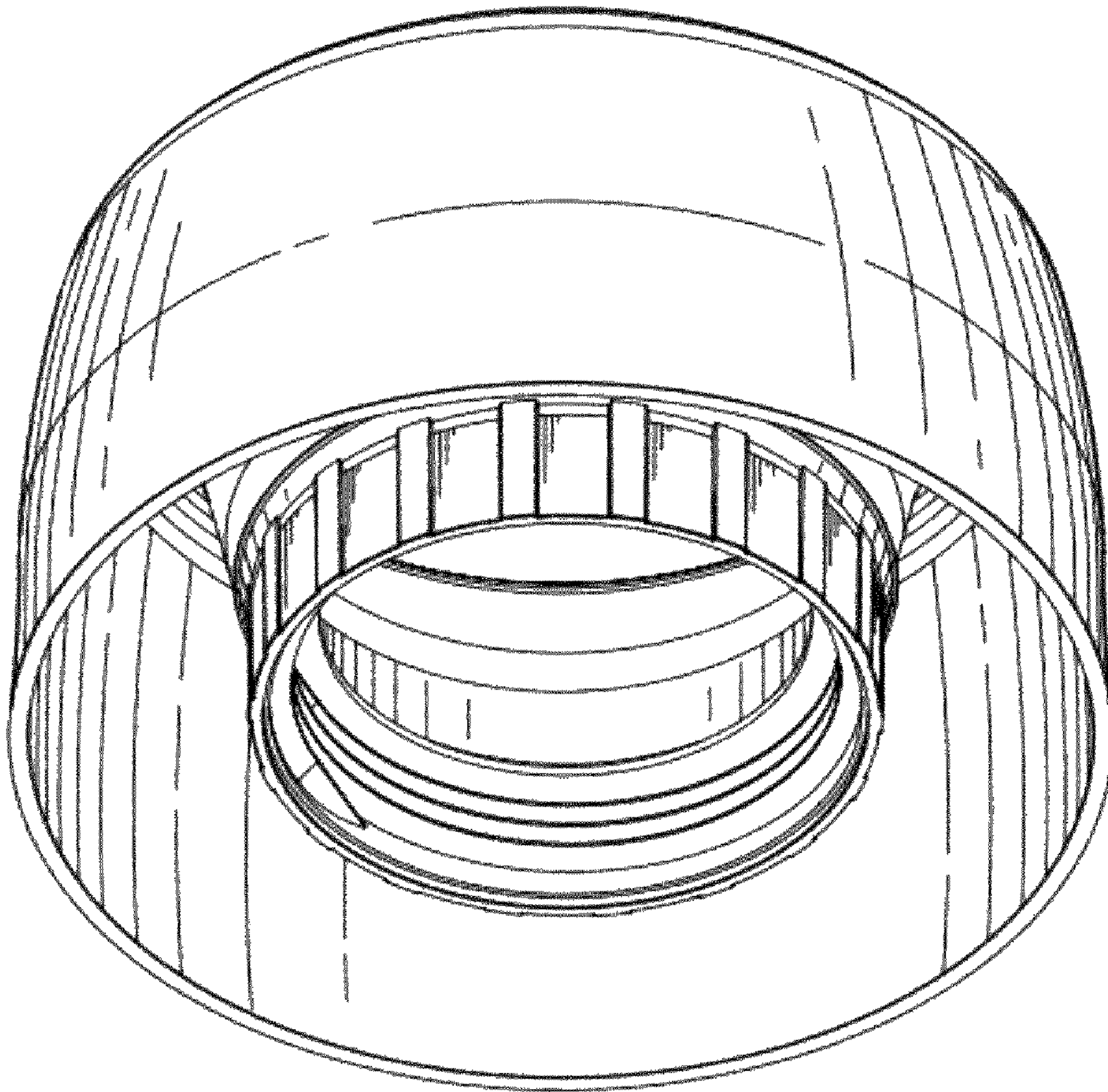


Fig. 8.

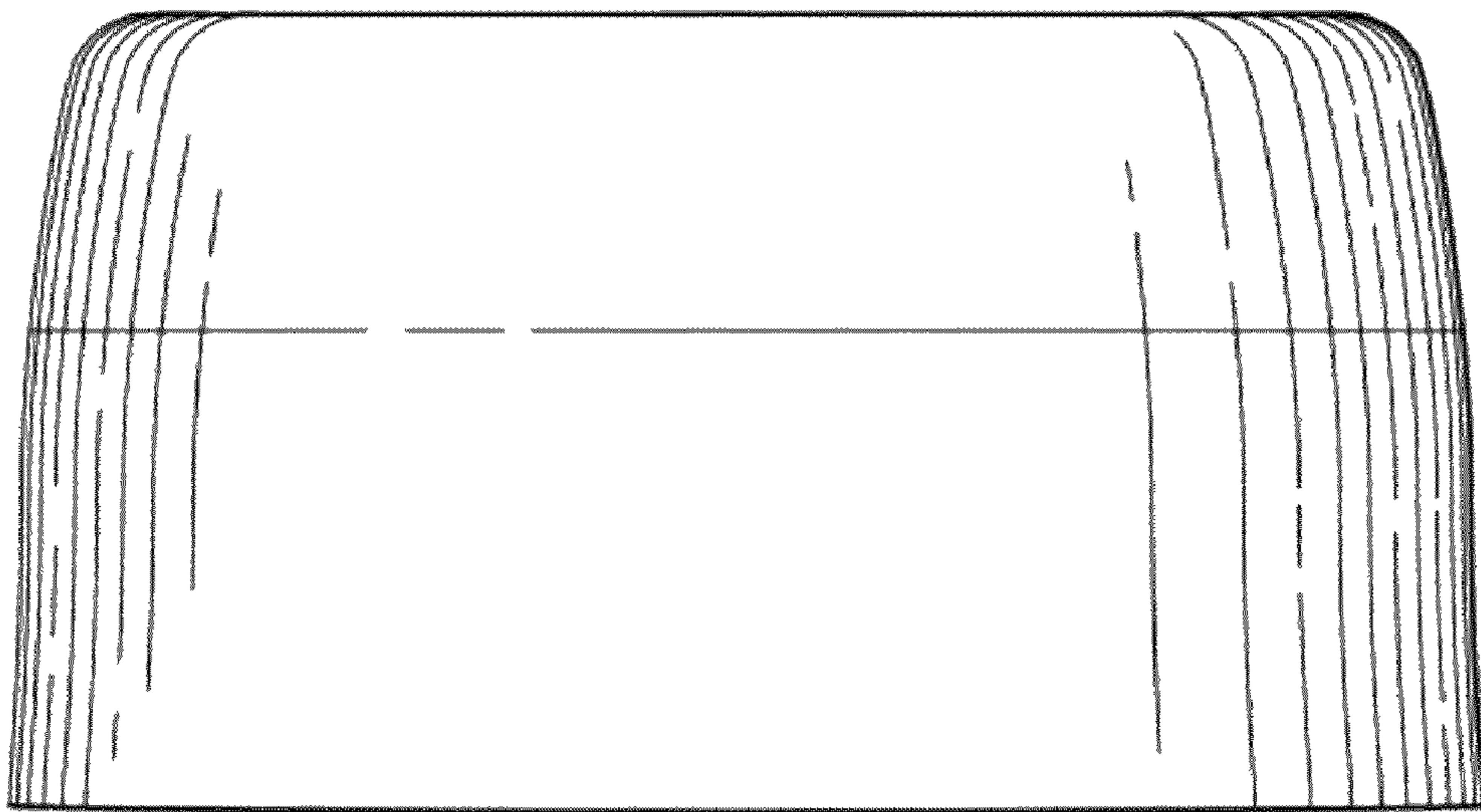


Fig. 9.

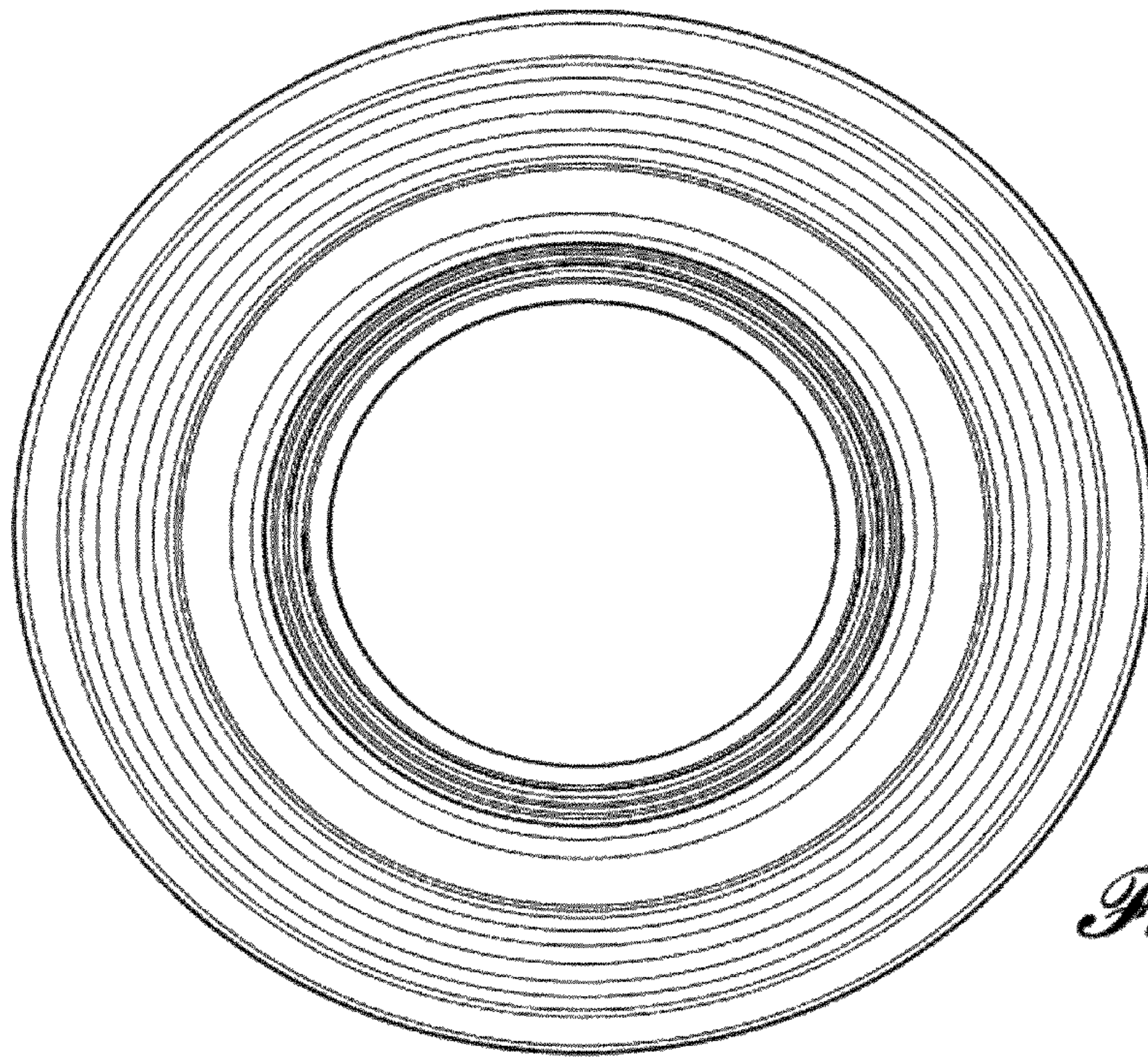


Fig. 10.

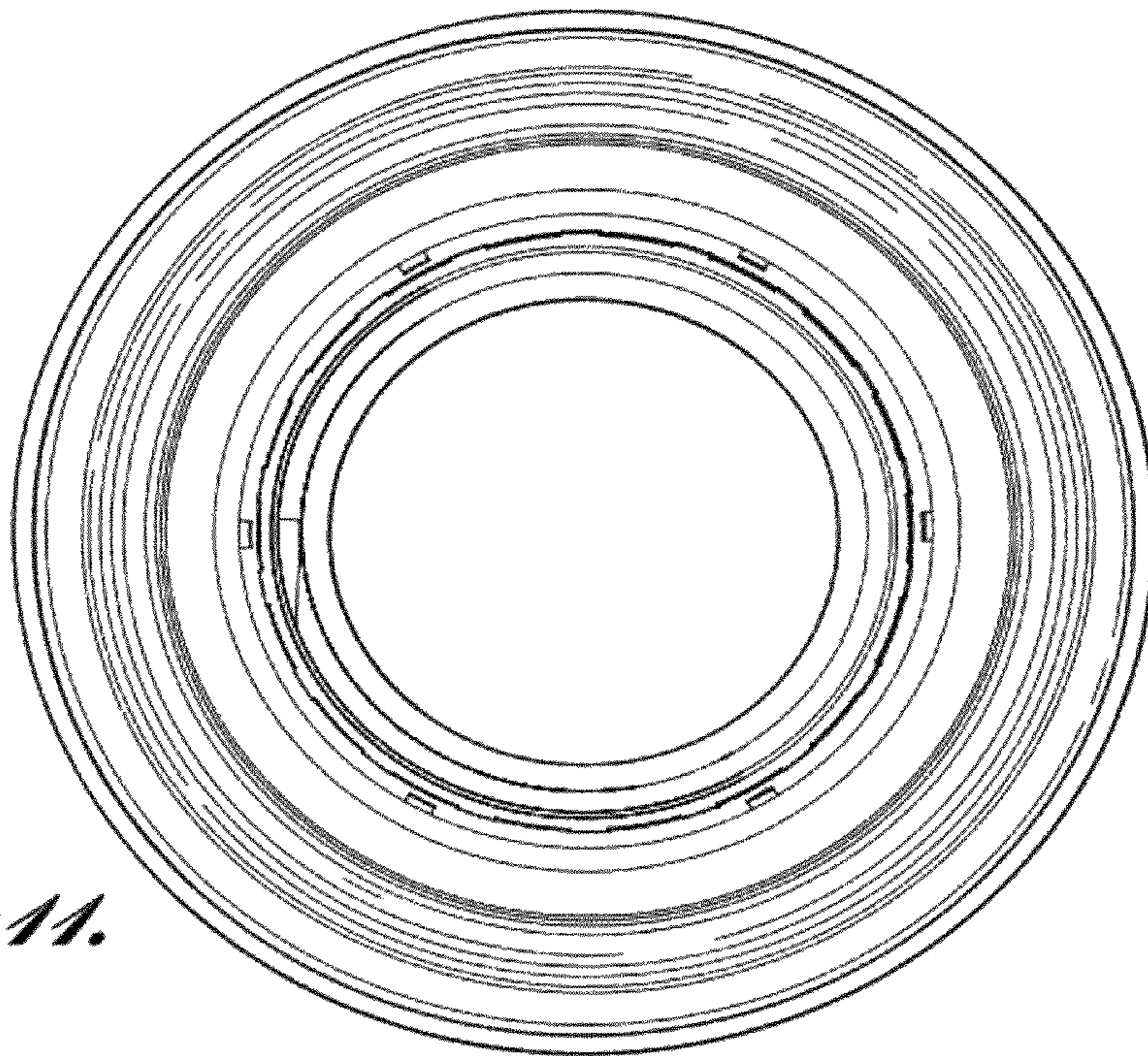


Fig. 11.

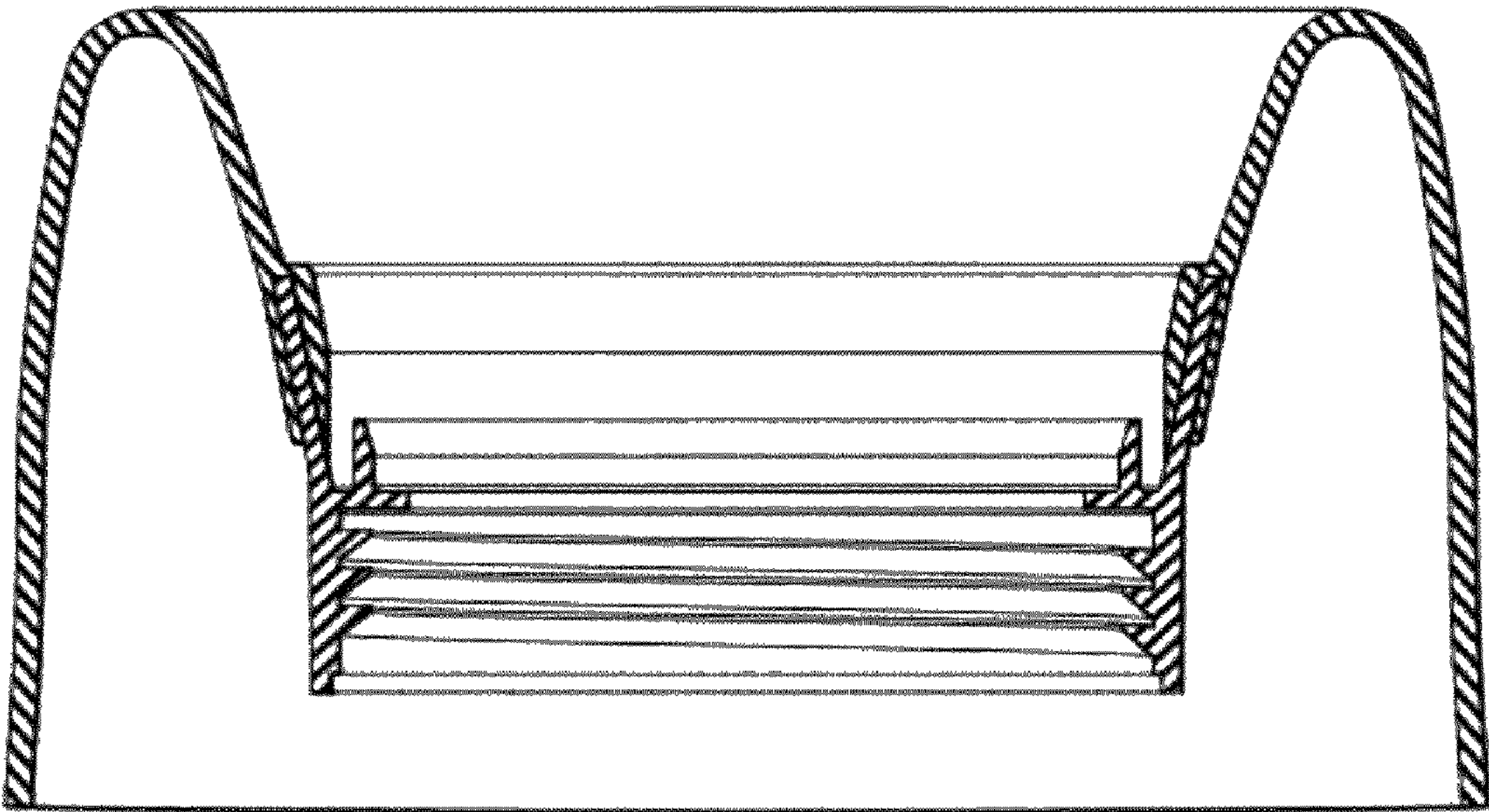


Fig. 12.

UNITED STATES PATENT AND TRADEMARK OFFICE
CERTIFICATE OF CORRECTION

PATENT NO. : D663,592 S
APPLICATION NO. : 29/386197
DATED : July 17, 2012
INVENTOR(S) : M. Bridges et al.

Page 1 of 2

It is certified that error appears in the above-identified patent and that said Letters Patent is hereby corrected as shown below:

<u>COLUMN</u>	<u>LINE</u>	
(74) Pg. 1, col. 2	Attorney, Agent, or Firm	“Johnston” should read --Johnson--
Pg. 1, col. 2	Description, 1-2 of text	“collapsible funnel for a water bottle” should read --collapsible funnel--
Pg. 1, col. 2	Description, 3-4 of text	“collapsible funnel for a water bottle” should read --collapsible funnel--
Pg. 1, col. 2	Description, 5-6 of text	“collapsible funnel for a water bottle” should read --collapsible funnel--
Pg. 1, col. 2	Description, 8-9 of text	“collapsible funnel for a water bottle” should read --collapsible funnel--
Pg. 1, col. 2	Description, 10-11 of text	“collapsible funnel for a water bottle” should read --collapsible funnel--
Pg. 1, col. 2	Description, 12-13 of text	“collapsible funnel for a water bottle” should read --collapsible funnel--
Pg. 1, col. 2	Description, 14-15 of text	“collapsible funnel for a water bottle” should read --collapsible funnel--
Pg. 1, col. 2	Description, 16-17 of text	“collapsible funnel for a water bottle” should read --collapsible funnel--

Signed and Sealed this
Eighteenth Day of December, 2012



David J. Kappos
Director of the United States Patent and Trademark Office

<u>COLUMN</u>	<u>LINE</u>	
Pg. 1, col. 2	Description, 18-19 of text	“collapsible funnel for a water bottle” should read --collapsible funnel--
Pg. 1, col. 2	Description, 21-22 of text	“collapsible funnel for a water bottle” should read --collapsible funnel--
Pg. 1, col. 2	Description, 23-24 of text	“collapsible funnel for a water bottle” should read --collapsible funnel--
Pg. 1, col. 2	Description, 25-26 of text	“collapsible funnel for a water bottle” should read --collapsible funnel--
Pg. 1, col. 2	Description, 28 of text	“collapsible funnel for a water bottle” should read --collapsible funnel--