

US00D663591S

(12) **United States Design Patent**
Madren

(10) **Patent No.:** **US D663,591 S**
(45) **Date of Patent:** **** Jul. 17, 2012**

(54) **KITCHEN UTENSIL**

(76) Inventor: **James P. Madren**, Reidsville, NC (US)

(**) Term: **14 Years**

(21) Appl. No.: **29/377,033**

(22) Filed: **Oct. 15, 2010**

5,822,825	A *	10/1998	West	15/236.02
6,012,750	A	1/2000	Swartz	
D437,534	S *	2/2001	Gloden	D8/14
6,351,887	B1	3/2002	Hurst	
D496,230	S *	9/2004	Germany	D7/688
D507,161	S *	7/2005	Ott et al.	D7/693
7,073,935	B2	7/2006	Liem	
D537,589	S	2/2007	Huddleston et al.	
D539,105	S *	3/2007	Bennett	D8/18
D551,041	S	9/2007	Park	
7,413,428	B1	8/2008	Park	

(Continued)

Related U.S. Application Data

(63) Continuation-in-part of application No. 12/580,183, filed on Oct. 15, 2009.

(51) **LOC (9) Cl.** **07-02**

(52) **U.S. Cl.** **D7/688**

(58) **Field of Classification Search** D7/300.2, D7/368, 669, 670, 671, 688, 689, 690, 412, D7/642, 649; D8/14, 16, 18, 33, 34, 40; D32/40, 46, 35, 49, 48; D19/53; 15/236.01, 15/236.02, 236.05, 236.07, 236.09, 245.1; 30/167, 169, 346, 353, 357, 164.9, 171
See application file for complete search history.

(56) **References Cited**

U.S. PATENT DOCUMENTS

1,211,098	A	1/1917	Darrin	
2,234,242	A	3/1941	Gilbert	
2,331,676	A *	10/1943	Hansen	30/171
2,687,540	A *	8/1954	Noll	7/169
2,777,676	A *	1/1957	Carter	366/129
2,860,858	A	11/1958	Kurs	
D256,655	S *	9/1980	Lacey	D7/688
D267,620	S	1/1983	Efron	
D274,260	S *	6/1984	Wiedel	D24/137
4,679,275	A *	7/1987	Shannon	15/236.01
D298,407	S	11/1988	Vowell, Jr.	
D302,880	S	8/1989	Terry	
4,969,268	A	11/1990	Kelly, III	
D334,693	S *	4/1993	Burke	D8/17
5,437,074	A *	8/1995	White et al.	15/105
D379,256	S	5/1997	Tipp	
5,634,679	A	6/1997	Hilderbrandt	

FOREIGN PATENT DOCUMENTS

AU 2005218017 A1 4/2006

(Continued)

OTHER PUBLICATIONS

International Search Report; Feb. 1, 2011; issued in International Patent Application No. PCT/US2010/052893.

(Continued)

Primary Examiner — Elizabeth J Oswecki

(74) *Attorney, Agent, or Firm* — Esther F. Queen; Moore & Van Allen, PLLC

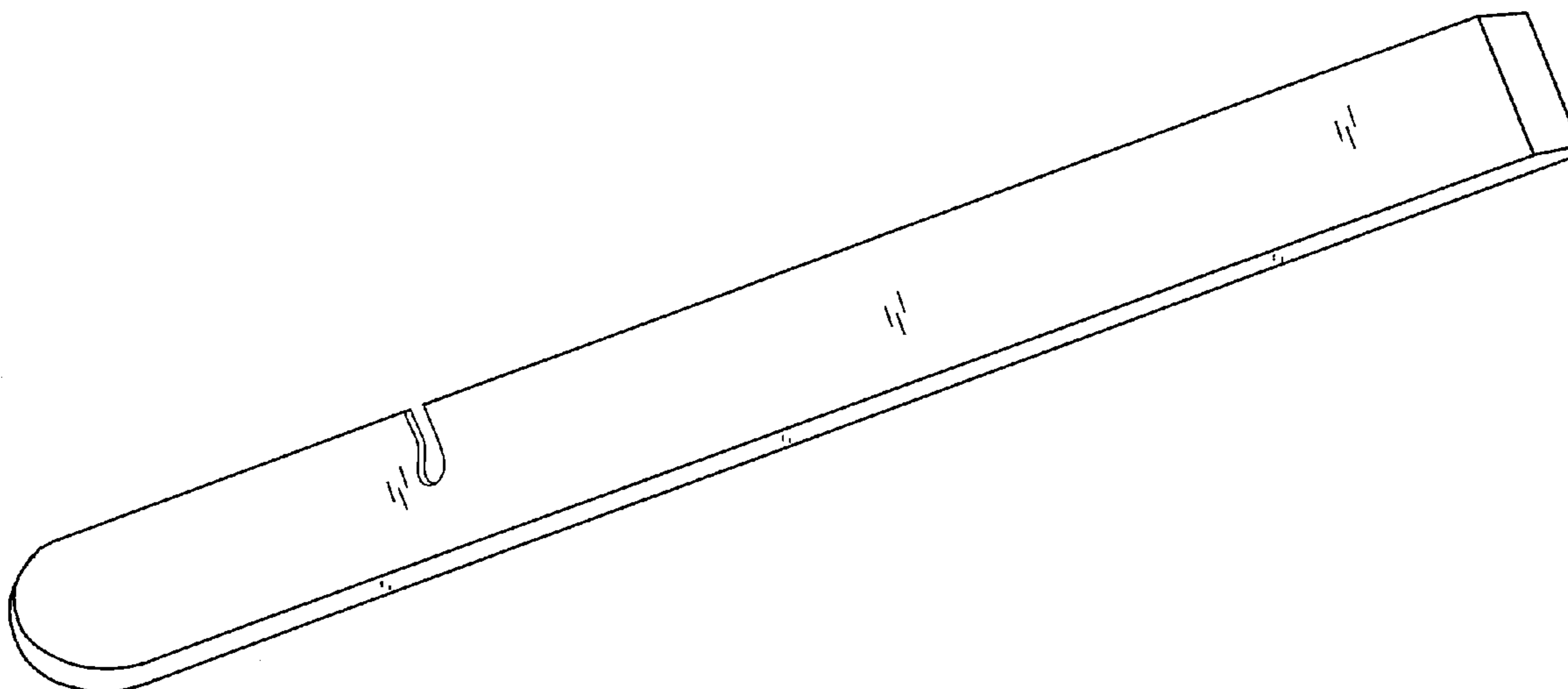
(57) **CLAIM**

The ornamental design for kitchen utensil, as shown and described.

DESCRIPTION

FIG. 1 is a perspective view of a kitchen utensil showing my new design;
FIG. 2 is a top plan view thereof;
FIG. 3 is a front elevation view thereof;
FIG. 4 is a rear elevation view thereof;
FIG. 5 is a right side elevation view thereof;
FIG. 6 is a left side elevation view thereof; and,
FIG. 7 is a bottom plan view thereof.

1 Claim, 3 Drawing Sheets



US D663,591 S

Page 2

U.S. PATENT DOCUMENTS

D586,630 S * 2/2009 Vendl et al. D7/688
2008/0307655 A1 12/2008 Laub

FOREIGN PATENT DOCUMENTS

GB	02508 A	0/1904
GB	202236 A	8/1923
GB	212713 A	3/1924
JP	2006247306 A	9/2006

OTHER PUBLICATIONS

Written Opinion of the International Searching Authority; Feb. 1,
2011; issued in International Patent Application No. PCT/US2010/
052893.

* cited by examiner

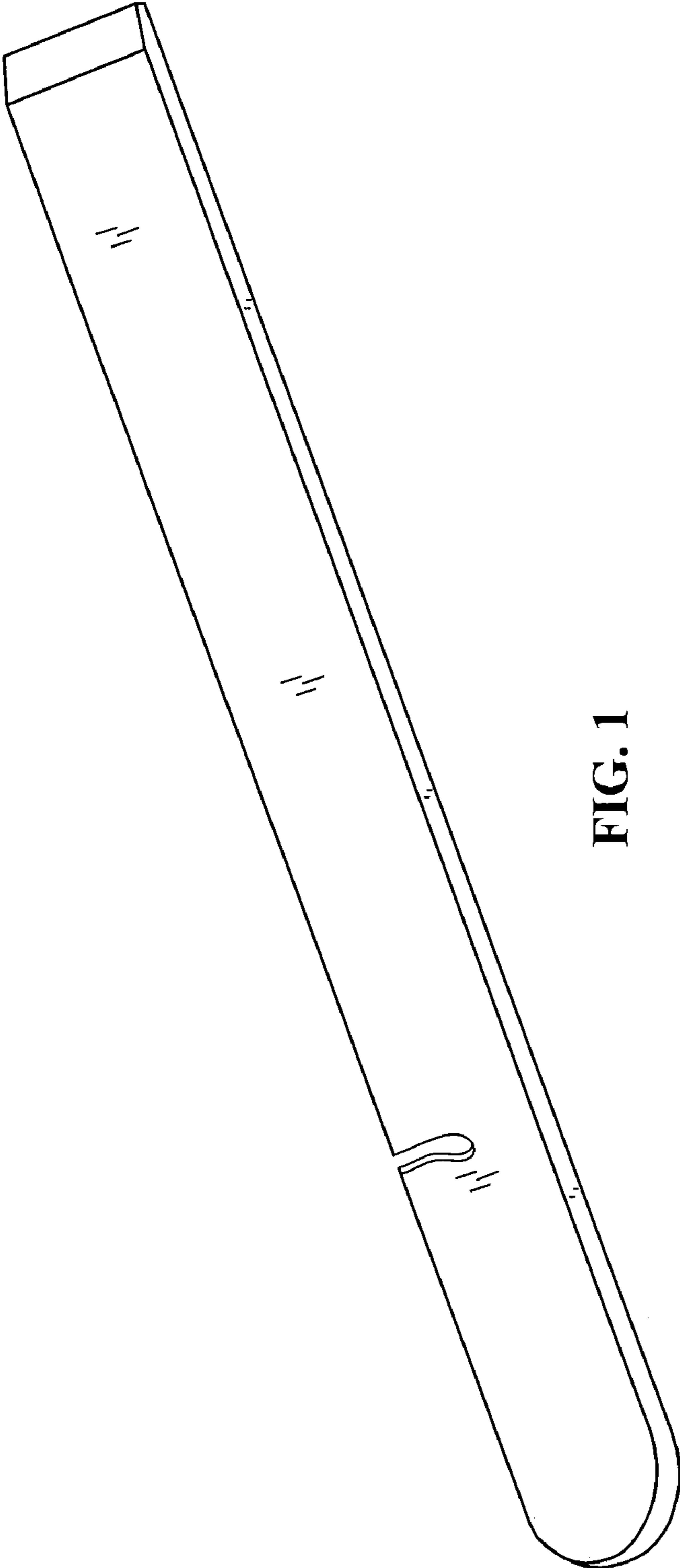


FIG. 1

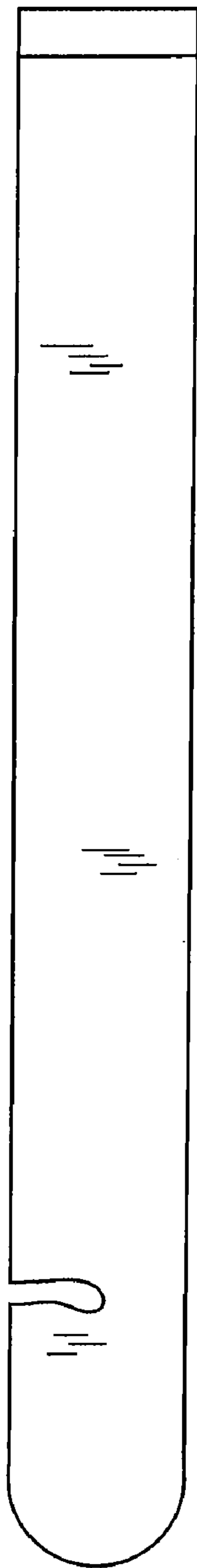


FIG. 2



FIG. 4



FIG. 3



FIG. 5



FIG. 6

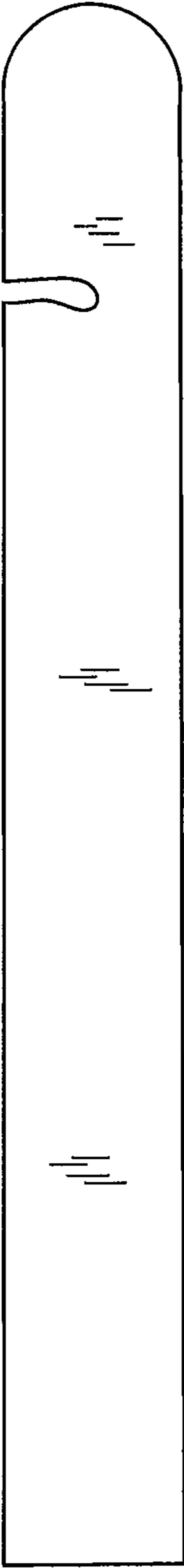


FIG. 7