



US00D663588S

(12) **United States Design Patent**
Nordwall

(10) **Patent No.:** **US D663,588 S**
(45) **Date of Patent:** **** Jul. 17, 2012**

(54) **BOWL FOR A MIXER**

(75) Inventor: **Joachim Nordwall**, Djursholm (SE)

(73) Assignee: **AB Electrolux**, Stockholm (SE)

(**) Term: **14 Years**

(21) Appl. No.: **29/409,693**

(22) Filed: **Dec. 28, 2011**

Related U.S. Application Data

(62) Division of application No. 29/343,396, filed on Sep. 11, 2009, now Pat. No. Des. 654,303.

(30) **Foreign Application Priority Data**

Mar. 12, 2009 (EM) 001104137

(51) **LOC (9) Cl.** **07-02**

(52) **U.S. Cl.** **D7/412; D7/376; D7/378; D7/413**

(58) **Field of Classification Search** D7/301-313,
D7/316-319, 368, 372-386, 391-398, 412-415,
D7/603, 646, 665, 679, 691; D14/426; D15/82;
62/342; 99/326, 340, 348, 508-513; 241/30-37.5,
241/101.01-101.2, 166-169.1, 172, 285.1-285.3,
241/291, 292.1; 366/64-67, 98, 129, 142,
366/197-211, 241-254, 262, 279-292, 325.8,
366/325.92, 341-347; 416/75-77, 70 R,
416/163; 426/101

See application file for complete search history.

(56) **References Cited**

U.S. PATENT DOCUMENTS

D209,461 S 12/1967 Clough
D278,506 S 4/1985 Kafka
4,575,255 A 3/1986 Kafka
D292,166 S 10/1987 McCloskey

D331,170 S * 11/1992 Greiner D7/693
D372,835 S * 8/1996 Leverrier D7/372
D390,415 S 2/1998 Hippen et al.
D392,505 S 3/1998 Tanaka et al.
D404,253 S * 1/1999 Littmann D7/412
5,979,850 A 11/1999 Hippen et al.
D433,872 S * 11/2000 Naft et al. D7/384
D462,569 S 9/2002 Chin
D478,100 S * 8/2003 Wade D15/82
D488,355 S * 4/2004 Irvine D7/603
D498,383 S * 11/2004 Chang et al. D7/305
6,832,543 B2 * 12/2004 Siano et al. 99/340
D511,930 S 11/2005 Wong
D553,133 S * 10/2007 Yu D14/426
D572,075 S 7/2008 Wong
D577,546 S 9/2008 Ferraby
D579,271 S 10/2008 Ferraby
7,441,944 B2 * 10/2008 Sands 366/205
D581,725 S 12/2008 Wong
8,122,821 B2 * 2/2012 Sands 99/513
2006/0263490 A1 * 11/2006 Wall et al. 426/101
2008/0282723 A1 * 11/2008 Perrier et al. 62/342

* cited by examiner

Primary Examiner — Ricky Pham

(74) *Attorney, Agent, or Firm* — Pearne & Gordon LLP

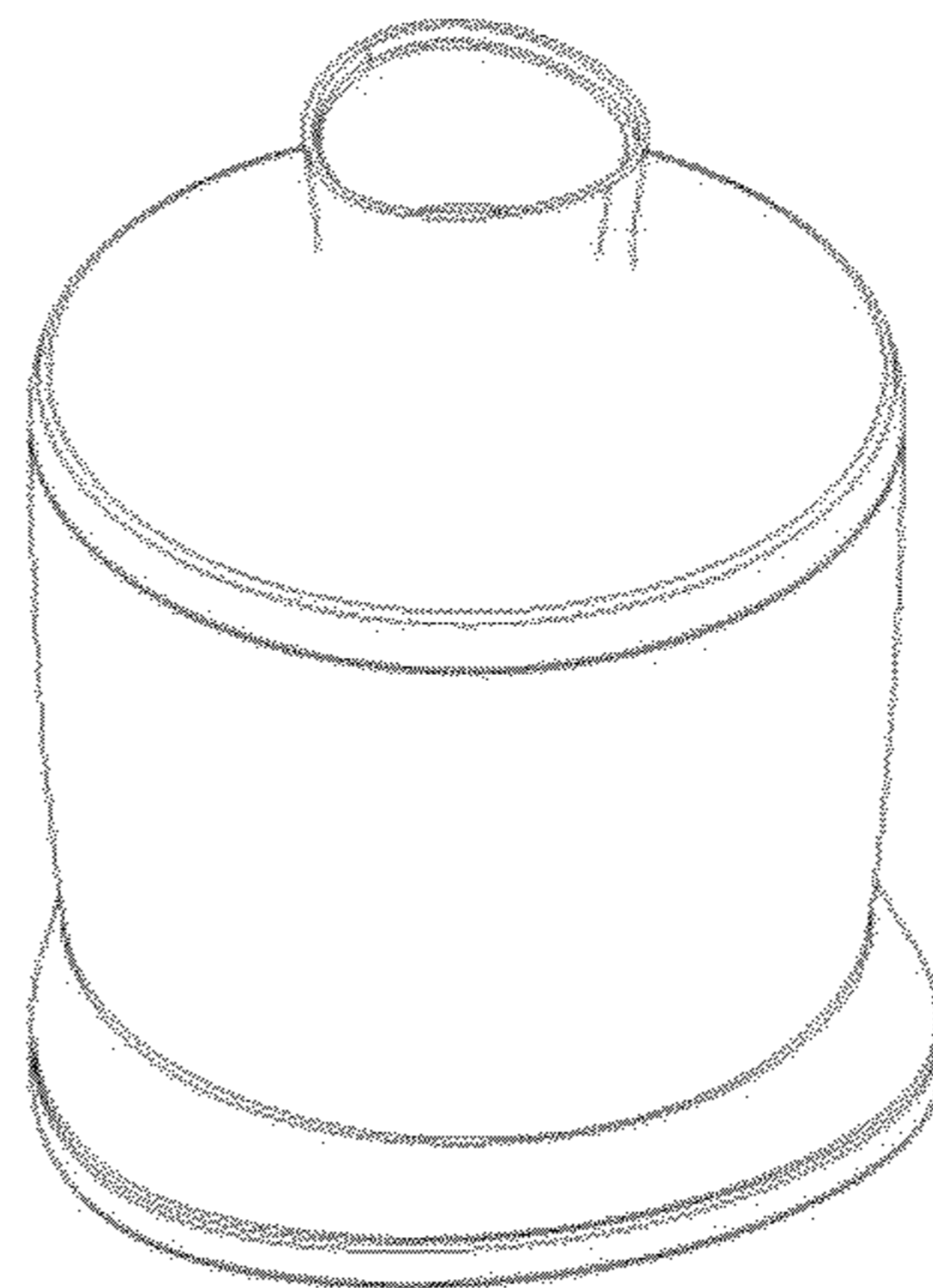
(57) **CLAIM**

The ornamental design for a bowl for a mixer, as shown and described.

DESCRIPTION

FIG. 1 is an isometric view of a bowl for a mixer according to my new invention;
FIG. 2 is a top plan view thereof;
FIG. 3 is a front view thereof;
FIG. 4 is a rear view thereof;
FIG. 5 is a left view thereof;
FIG. 6 is a right view thereof; and,
FIG. 7 is a bottom plan view thereof.

1 Claim, 7 Drawing Sheets



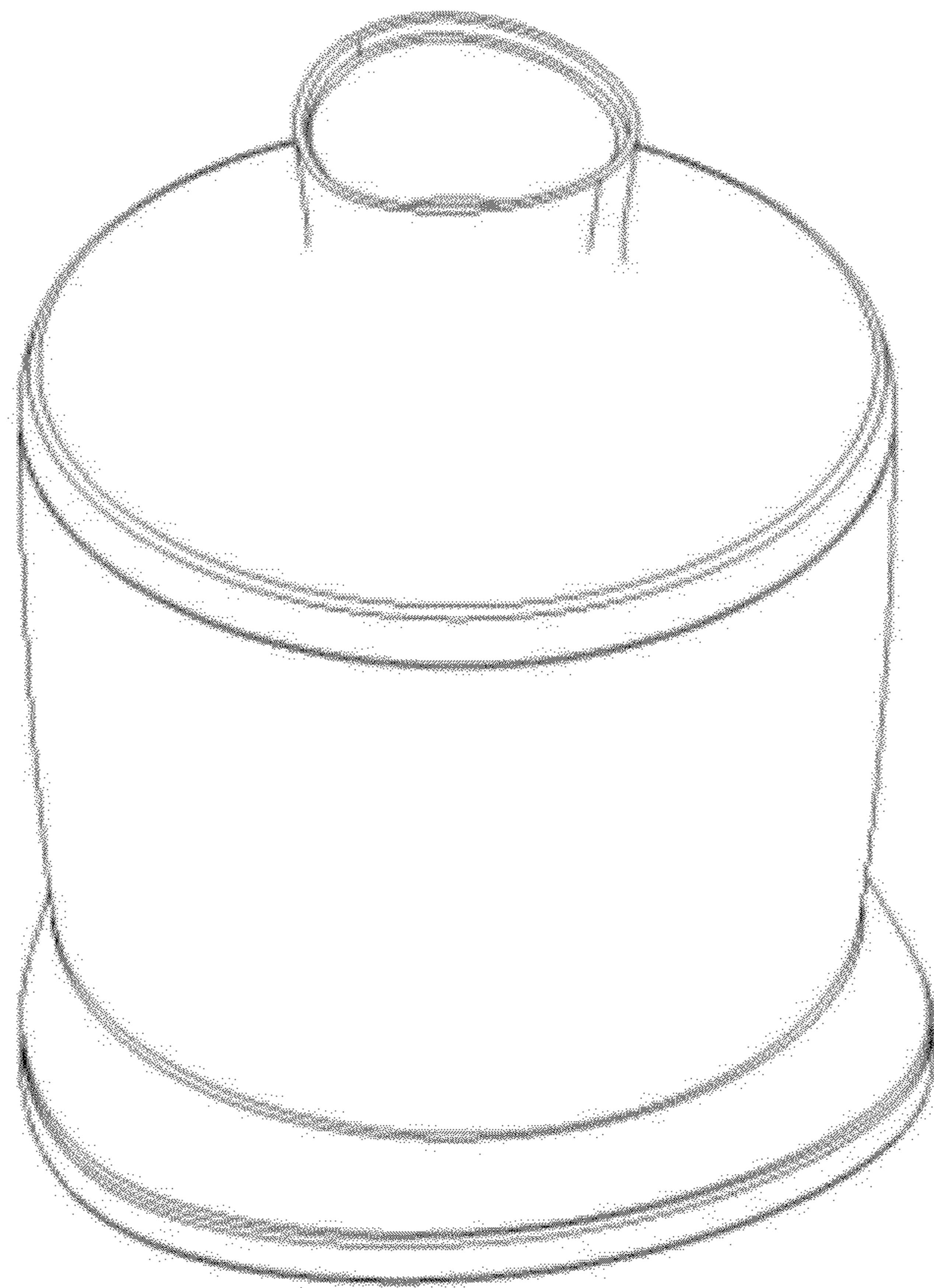


Fig. 1

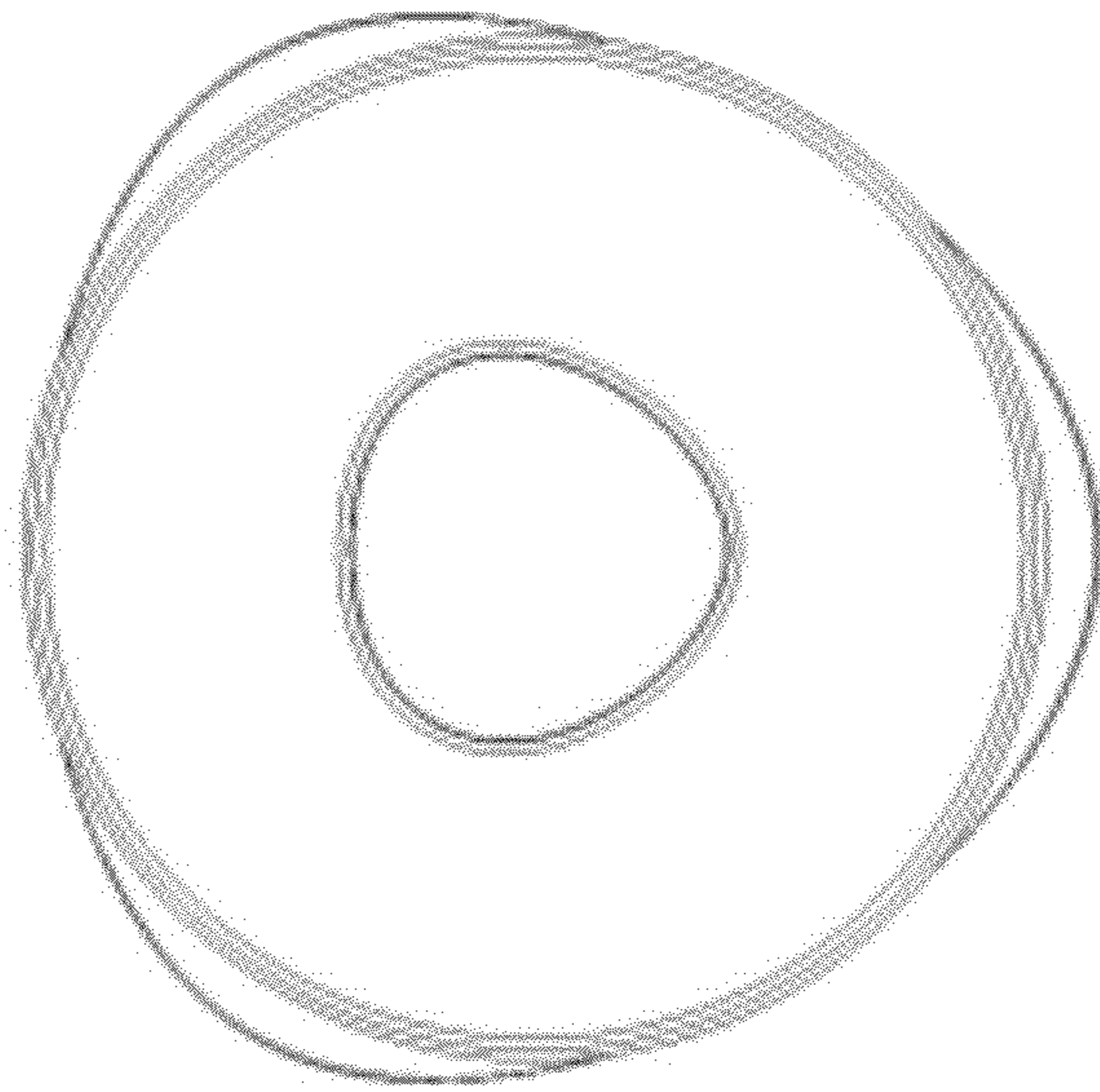


Fig. 2

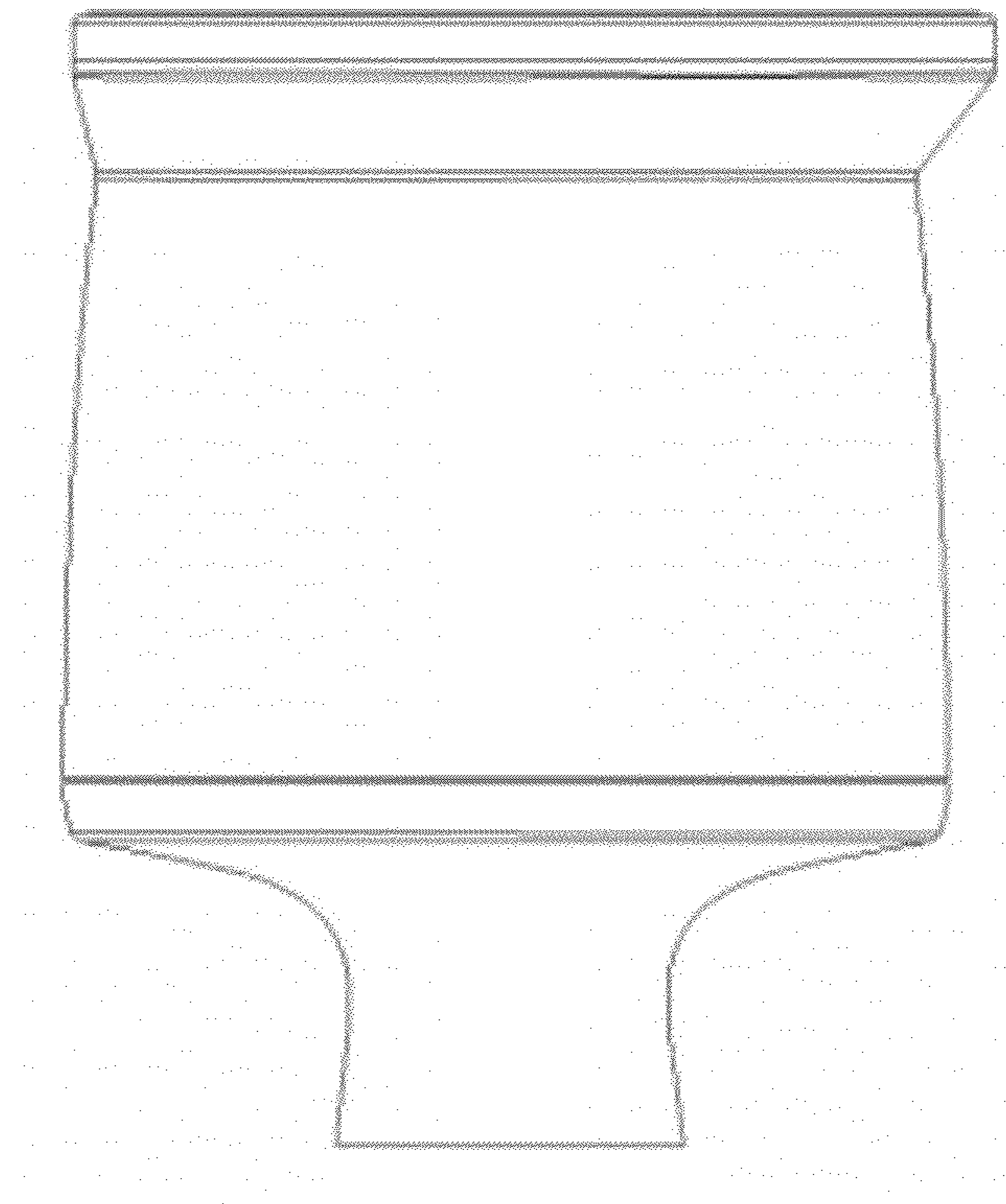


Fig. 3

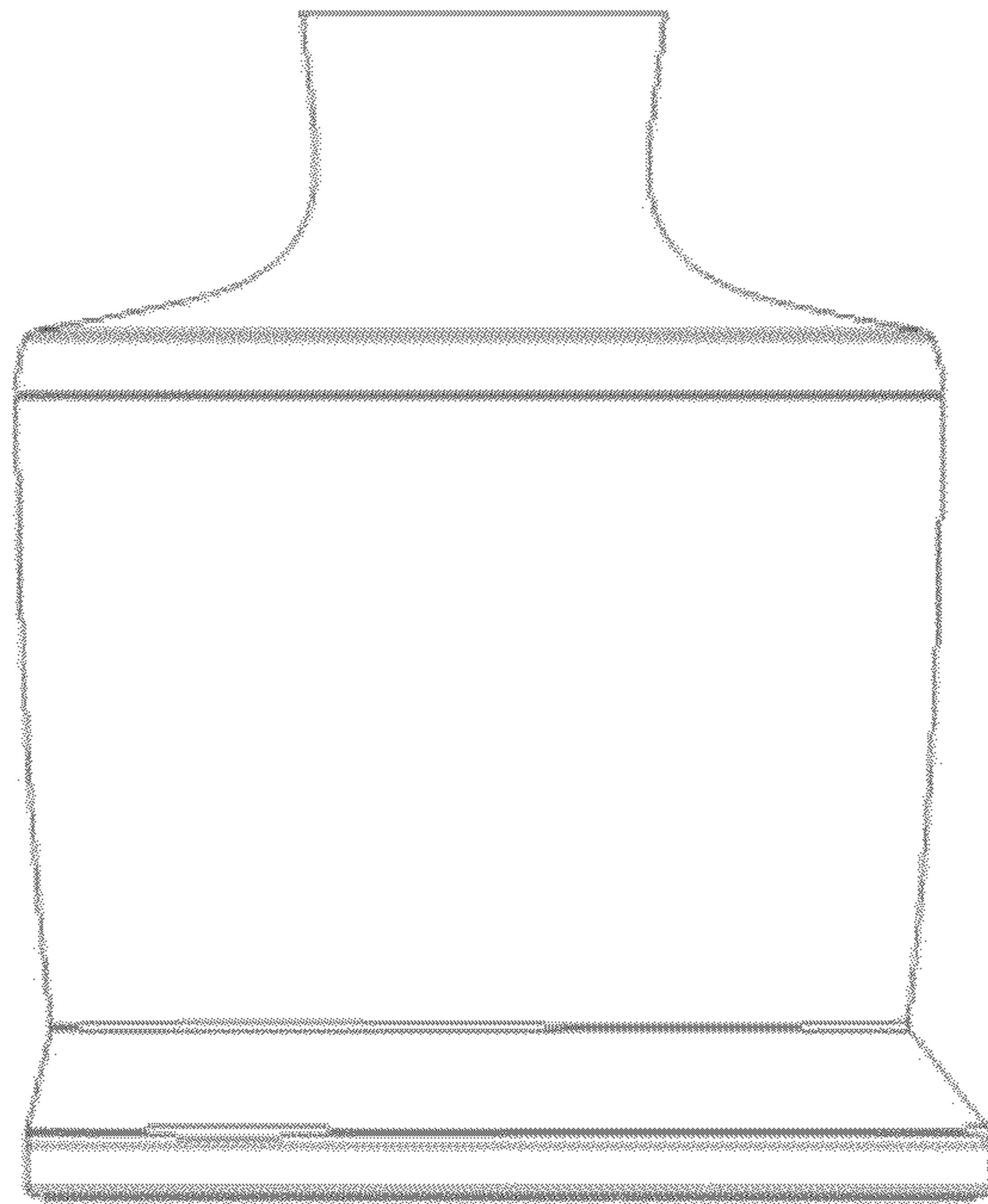


Fig. 4

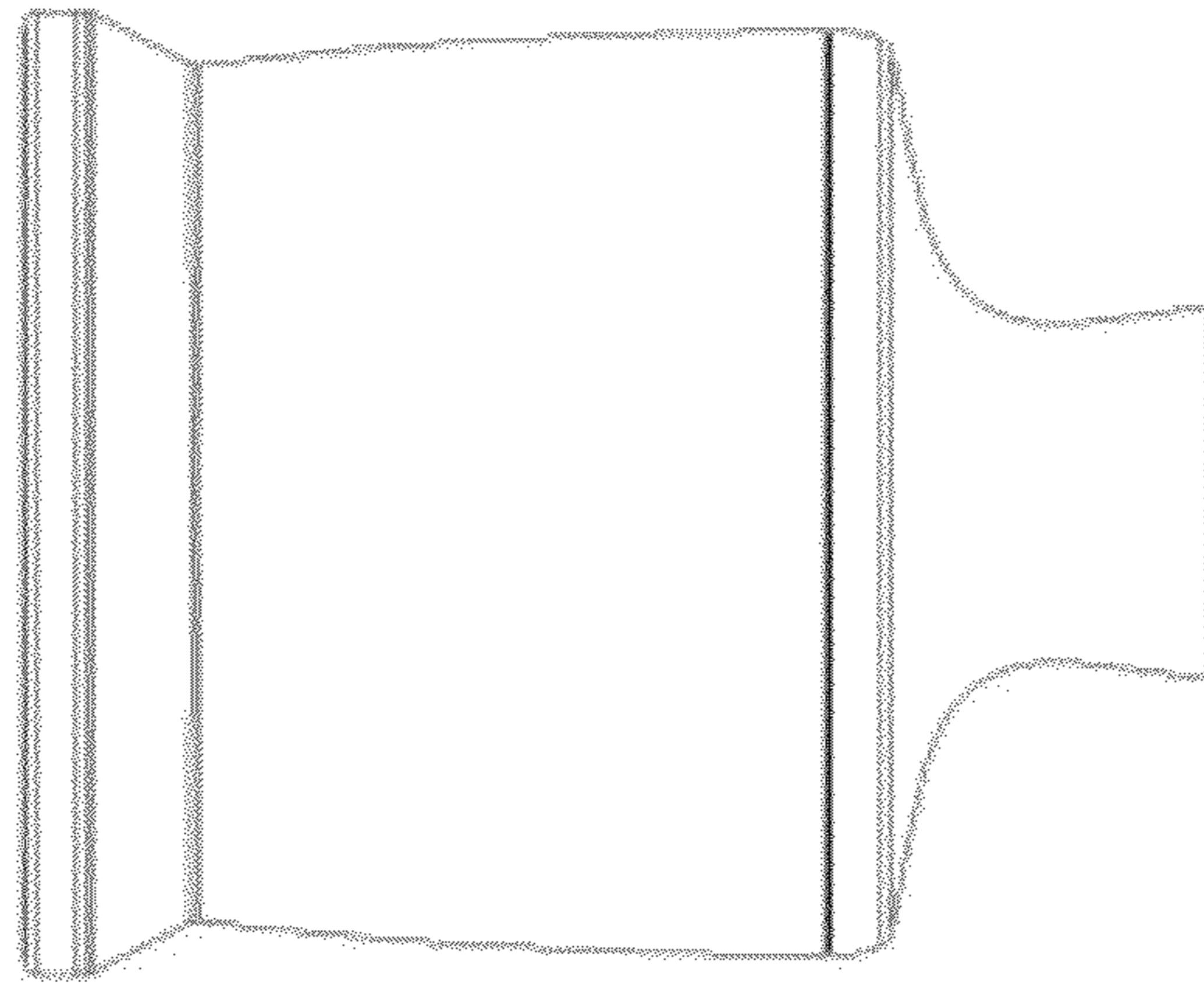


Fig. 5

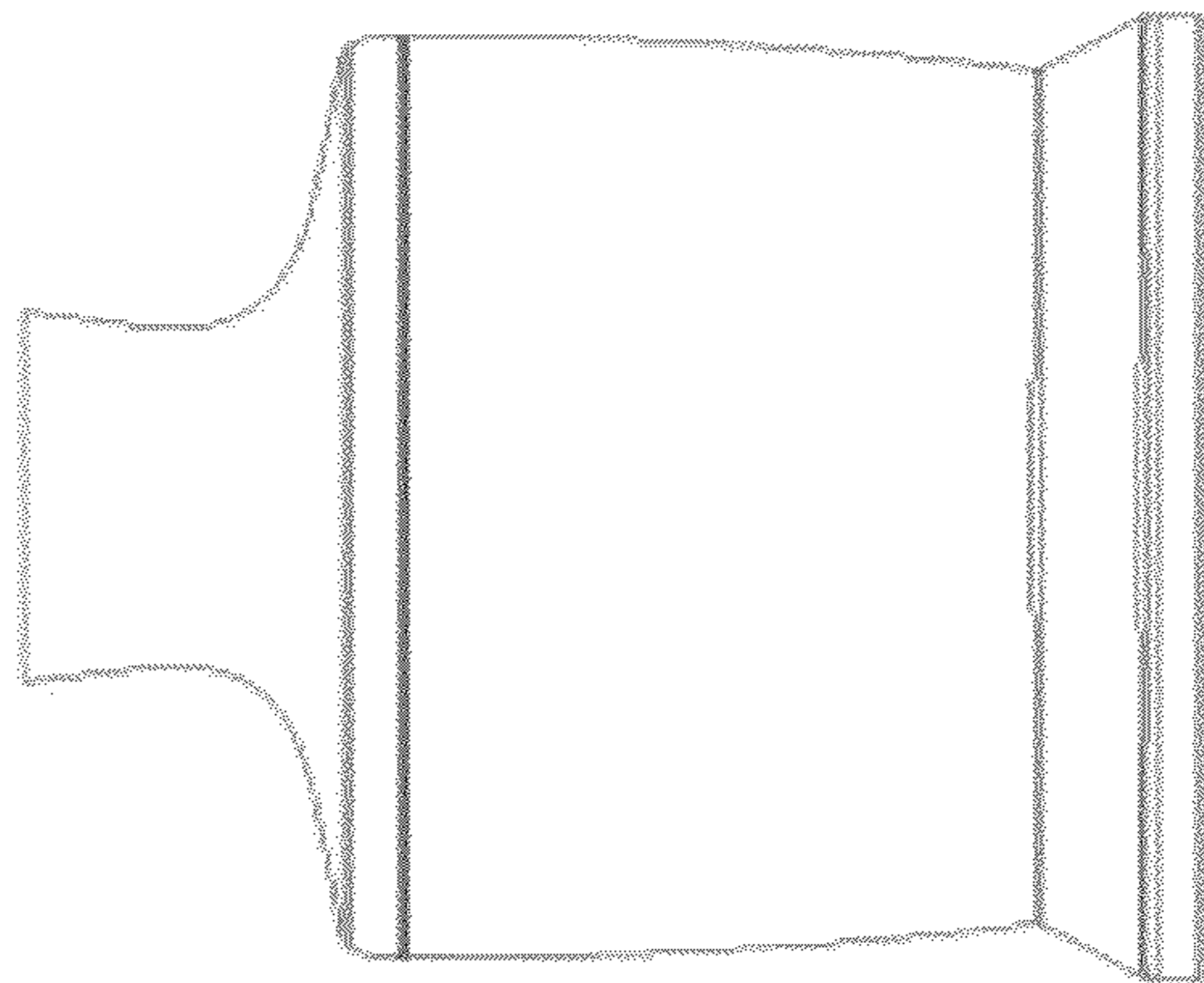


Fig. 6

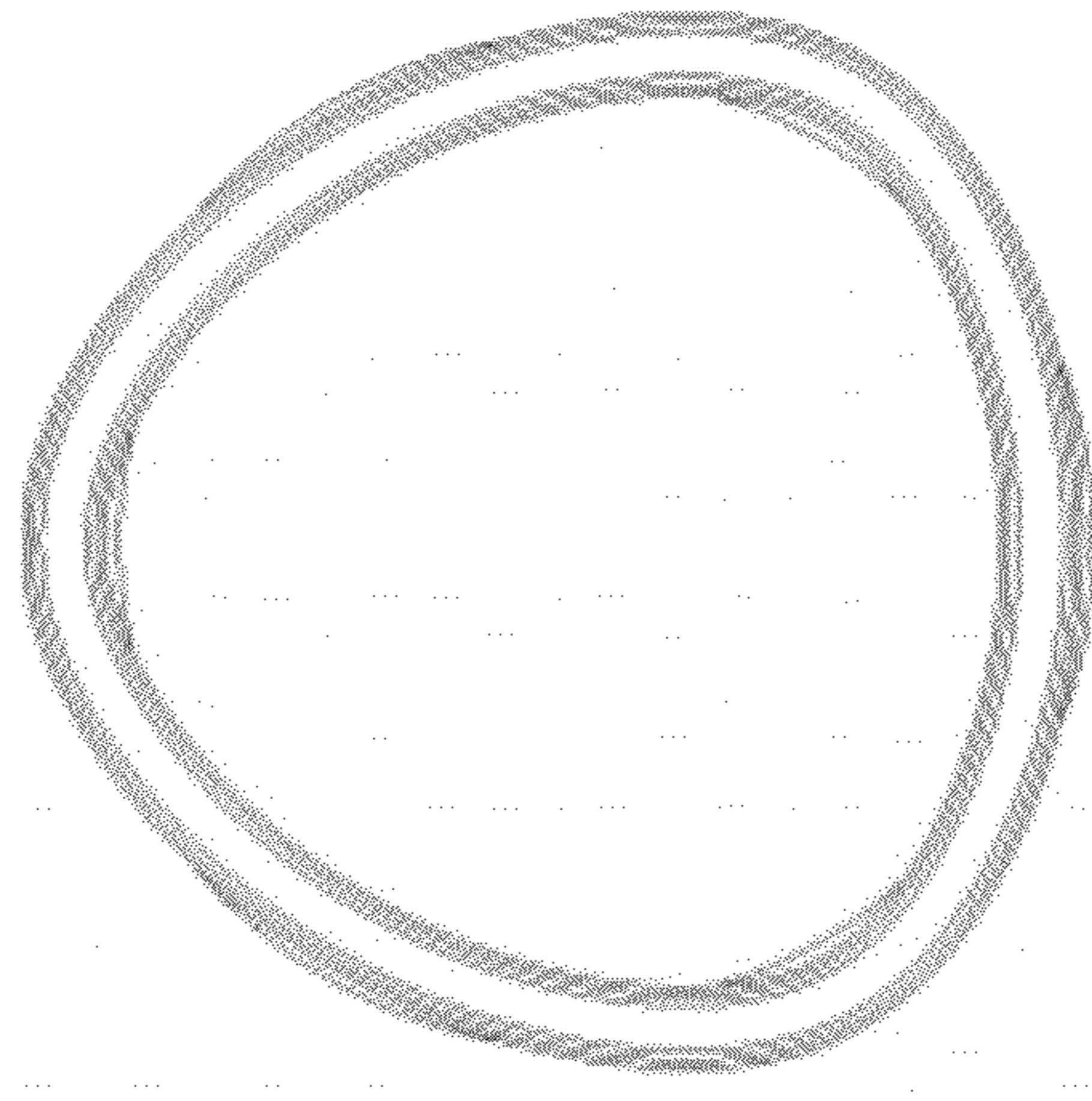


Fig. 7