



US00D663587S

(12) **United States Design Patent**  
**Nordwall**

(10) **Patent No.:** **US D663,587 S**  
(45) **Date of Patent:** **\*\* Jul. 17, 2012**

- (54) **HOLDER FOR A MIXER**
- (75) Inventor: **Joachim Nordwall**, Djursholm (SE)
- (73) Assignee: **AB Electrolux**, Stockholm (SE)
- (\*\*) Term: **14 Years**
- (21) Appl. No.: **29/409,673**
- (22) Filed: **Dec. 28, 2011**

**Related U.S. Application Data**

- (62) Division of application No. 29/343,396, filed on Sep. 11, 2009, now Pat. No. Des. 654,303.

**Foreign Application Priority Data**

- Mar. 12, 2009 (EM) ..... 001104137
- (51) **LOC (9) Cl.** ..... **07-02**
- (52) **U.S. Cl.** ..... **D7/412; D7/376; D7/379**
- (58) **Field of Classification Search** ..... D7/301-313,  
D7/316-319, 368, 372-386, 391-398, 412-415,  
D7/646, 665, 679, 691; 99/326, 348, 508-513;  
241/30-37.5, 101.01-101.2, 166-169.1,  
241/172, 285.1-285.3, 291, 292.1; 366/64-67,  
366/98, 129, 142, 197-211, 241-254, 262,  
366/279-292, 325.8, 325.92, 341-347; 416/75-77,  
416/70 R, 163  
See application file for complete search history.

**References Cited**

- U.S. PATENT DOCUMENTS
- D204,408 S \* 4/1966 Fisher ..... D7/386
- D209,461 S 12/1967 Clough

- D224,132 S \* 7/1972 Yamamoto ..... D7/379
- D234,742 S \* 4/1975 Johannes ..... D7/379
- D278,506 S 4/1985 Kafka
- 4,575,255 A 3/1986 Kafka
- D286,969 S \* 12/1986 McCloskey ..... D7/646
- D292,166 S 10/1987 McCloskey
- D390,415 S 2/1998 Hippen et al.
- D392,505 S 3/1998 Tanaka et al.
- 5,979,850 A 11/1999 Hippen et al.
- D462,569 S 9/2002 Chin
- D511,930 S 11/2005 Wong
- D572,075 S 7/2008 Wong
- D577,546 S 9/2008 Ferraby
- D579,271 S 10/2008 Ferraby
- 7,441,944 B2 \* 10/2008 Sands ..... 366/205
- D581,725 S 12/2008 Wong
- D654,303 S \* 2/2012 Nordwall ..... D7/379
- 8,122,821 B2 \* 2/2012 Sands ..... 99/513
- 2006/0153003 A1 \* 7/2006 Sands ..... 366/205

\* cited by examiner

*Primary Examiner* — Ricky Pham  
(74) *Attorney, Agent, or Firm* — Pearne & Gordon LLP

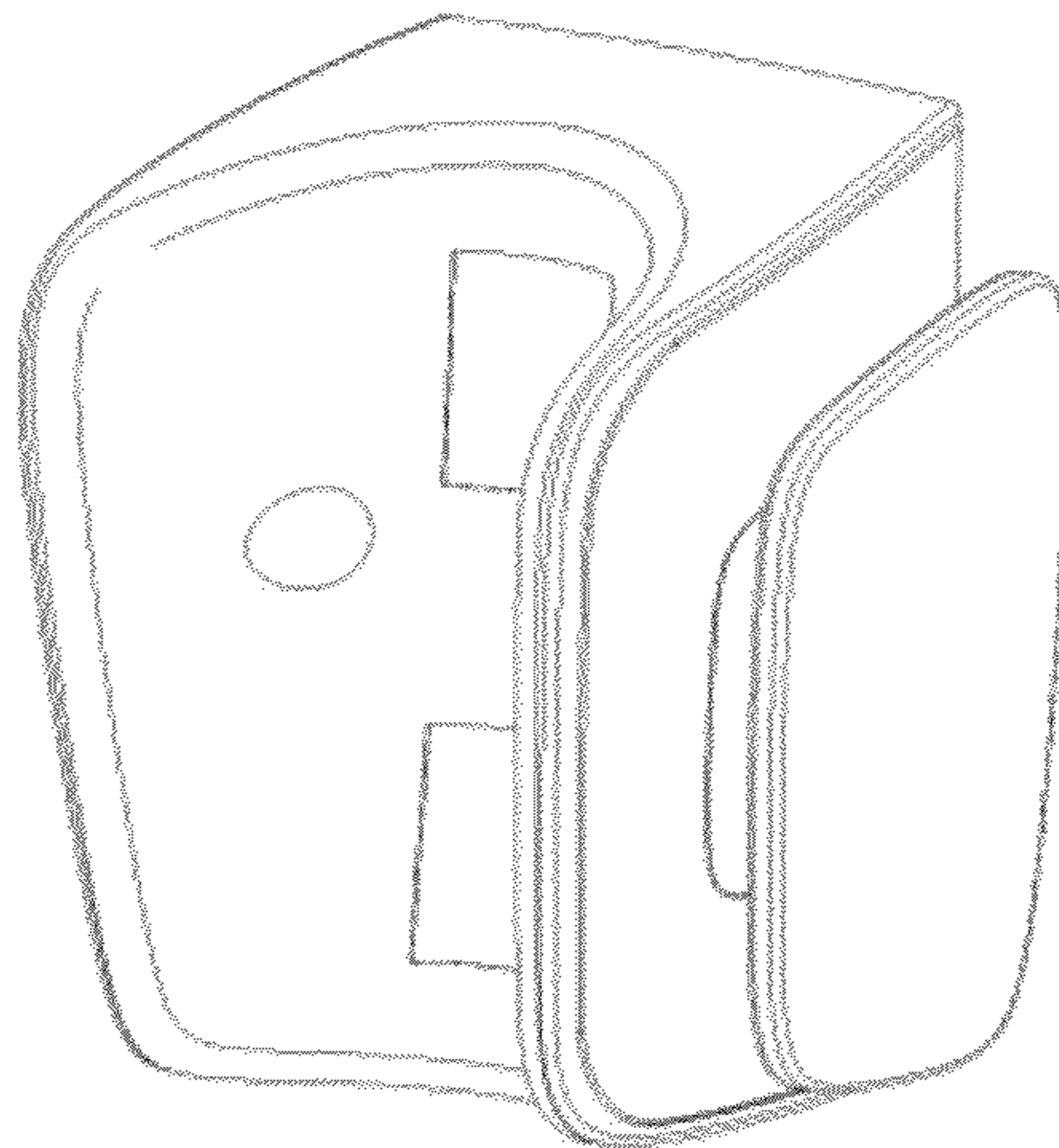
**CLAIM**

The ornamental design for a holder for a mixer, as shown and described.

**DESCRIPTION**

FIG. 1 is a front isometric view of a holder for a mixer according to my new invention;  
FIG. 2 is a top plan view thereof;  
FIG. 3 is left side view thereof;  
FIG. 4 is a right side view thereof;  
FIG. 5 is a front view thereof;  
FIG. 6 is a rear view thereof; and,  
FIG. 7 is a bottom plan view thereof.

**1 Claim, 7 Drawing Sheets**



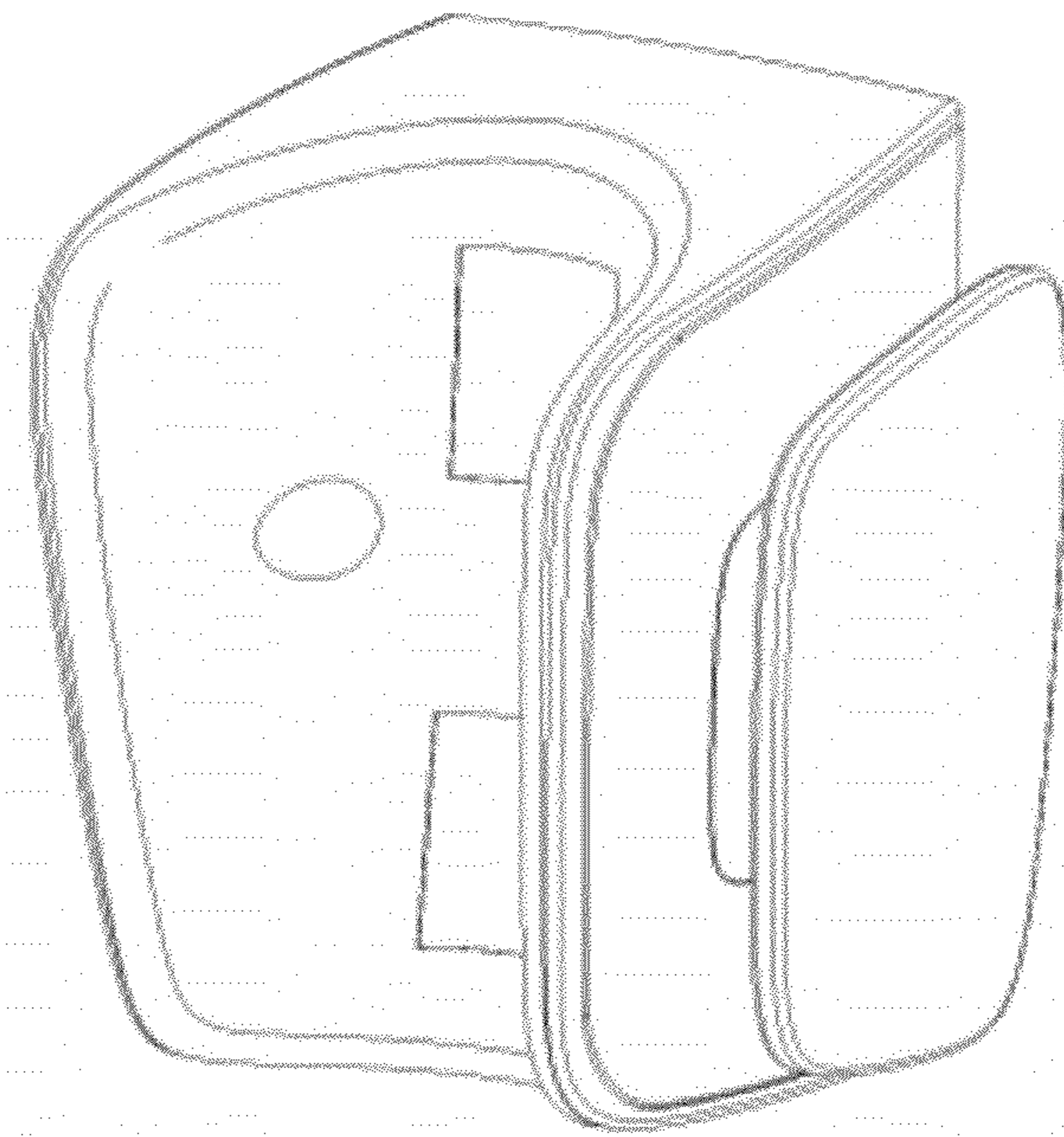


Fig. 1

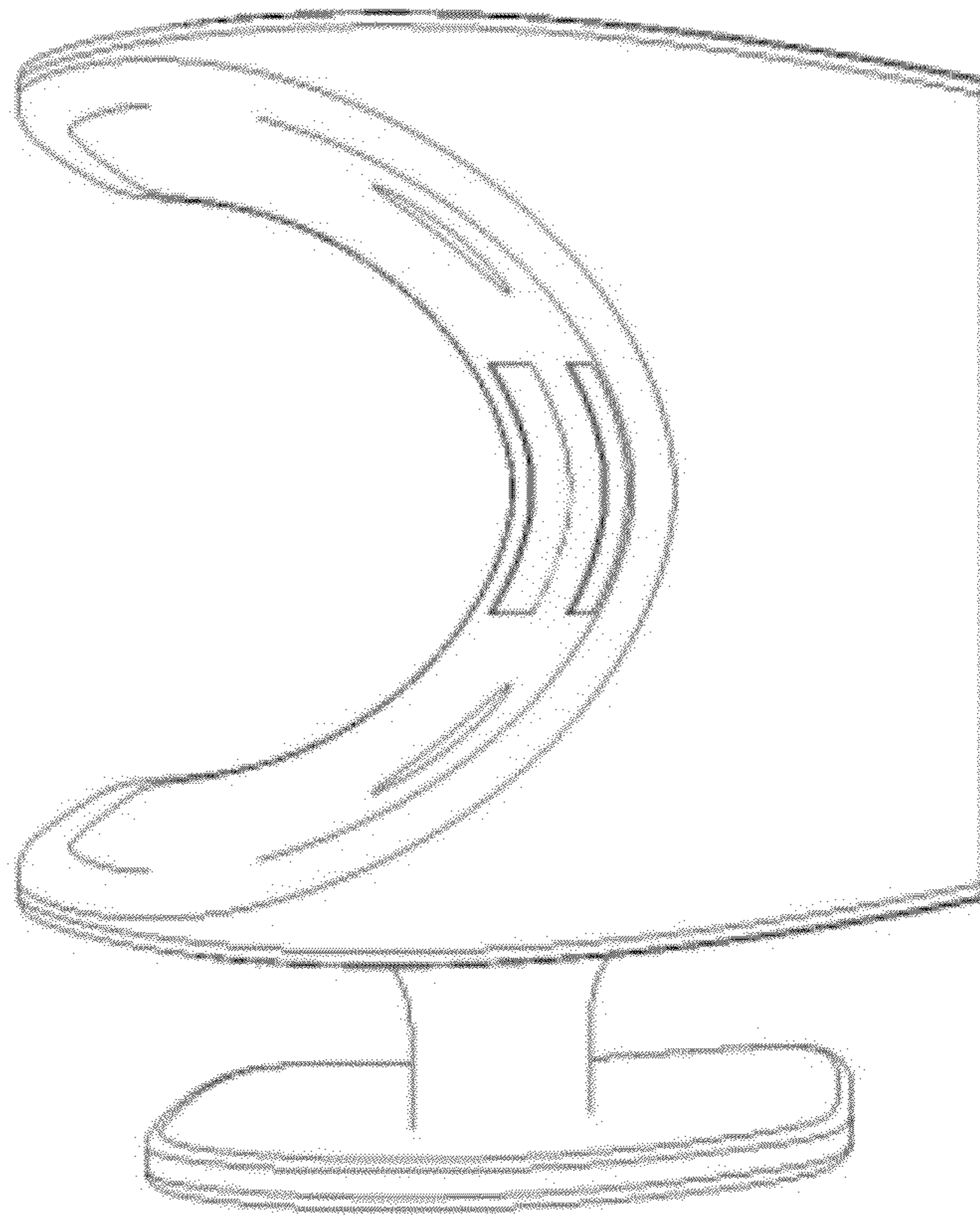


Fig. 2

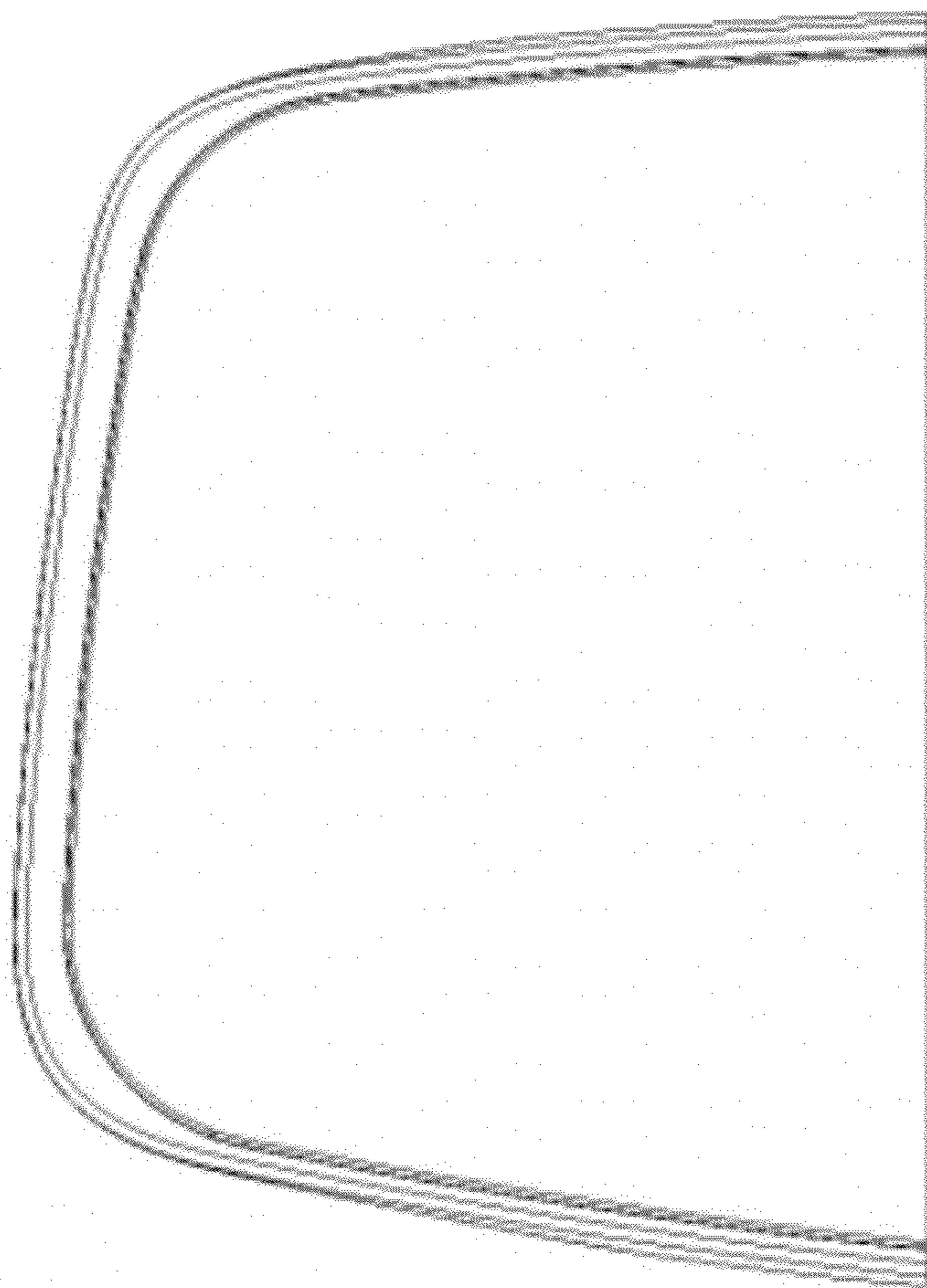


Fig. 3



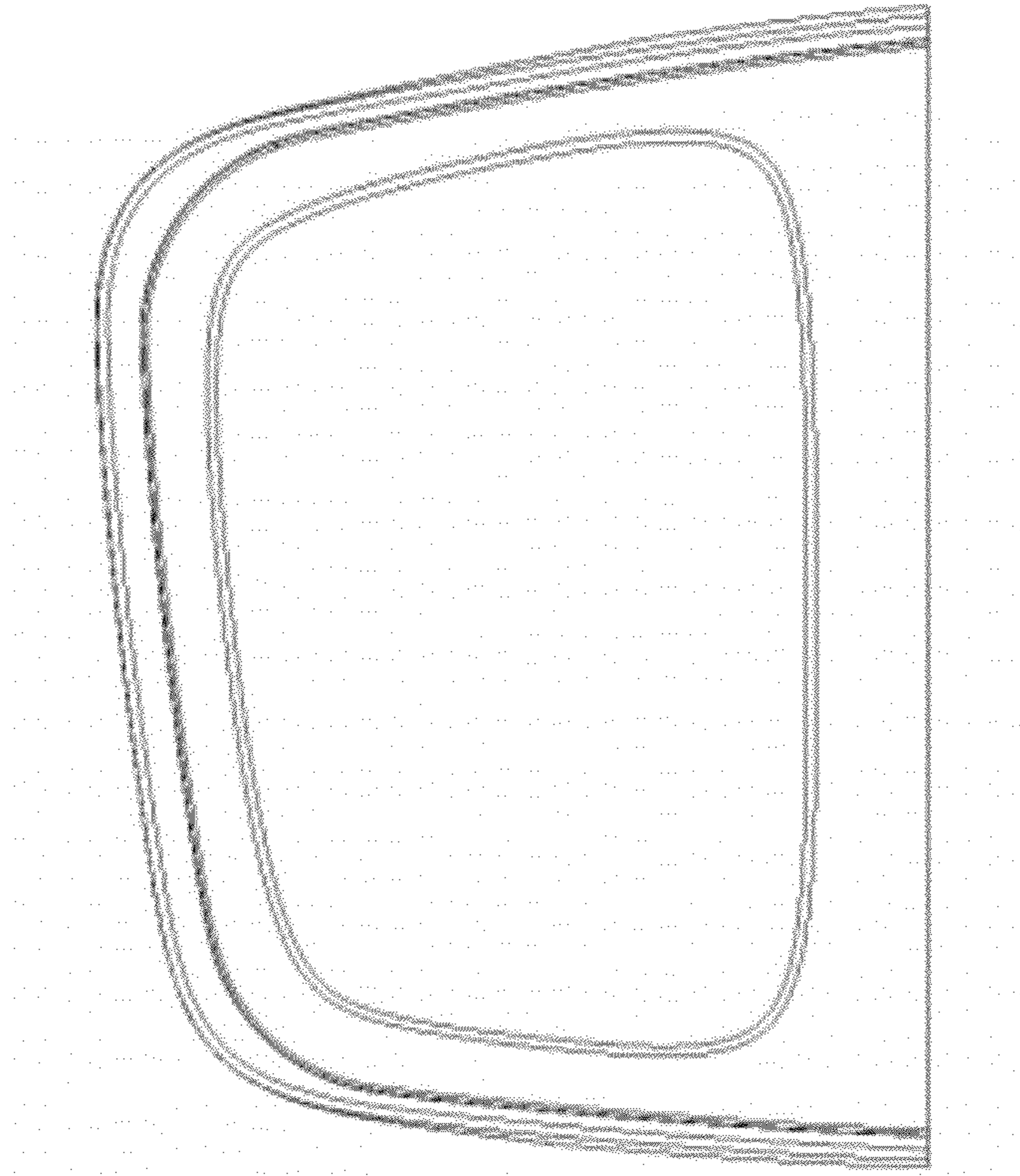


Fig. 4

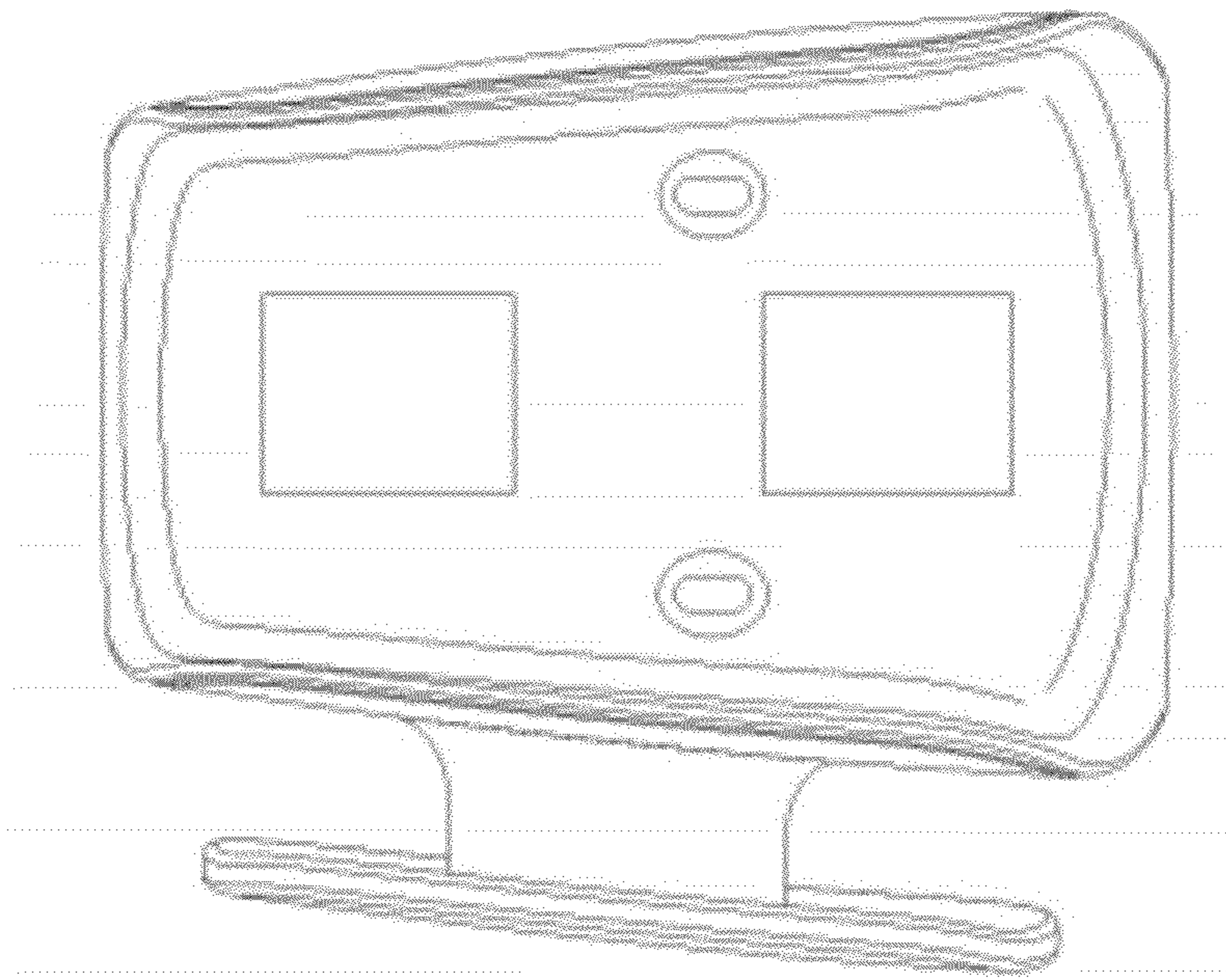


Fig. 5

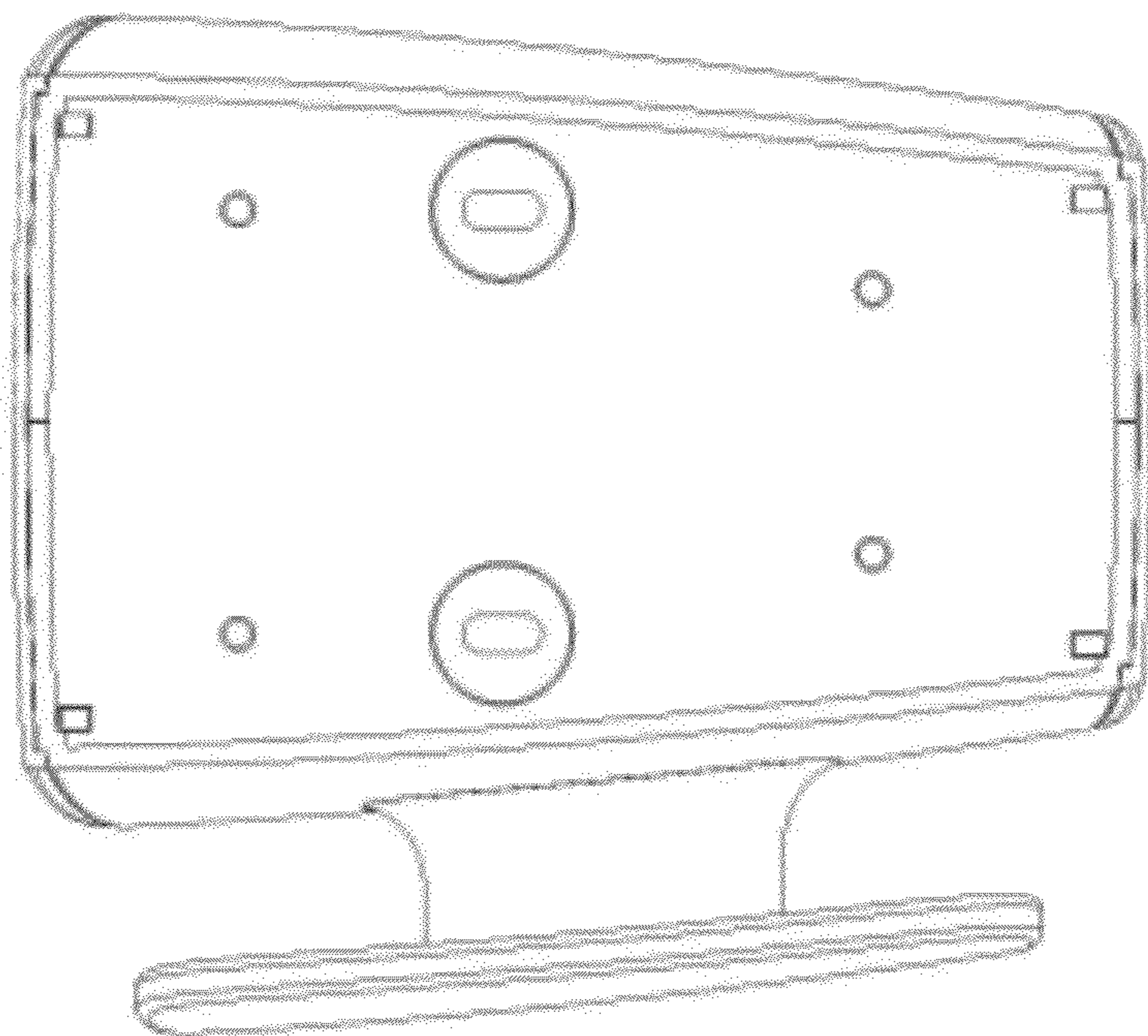


Fig. 6

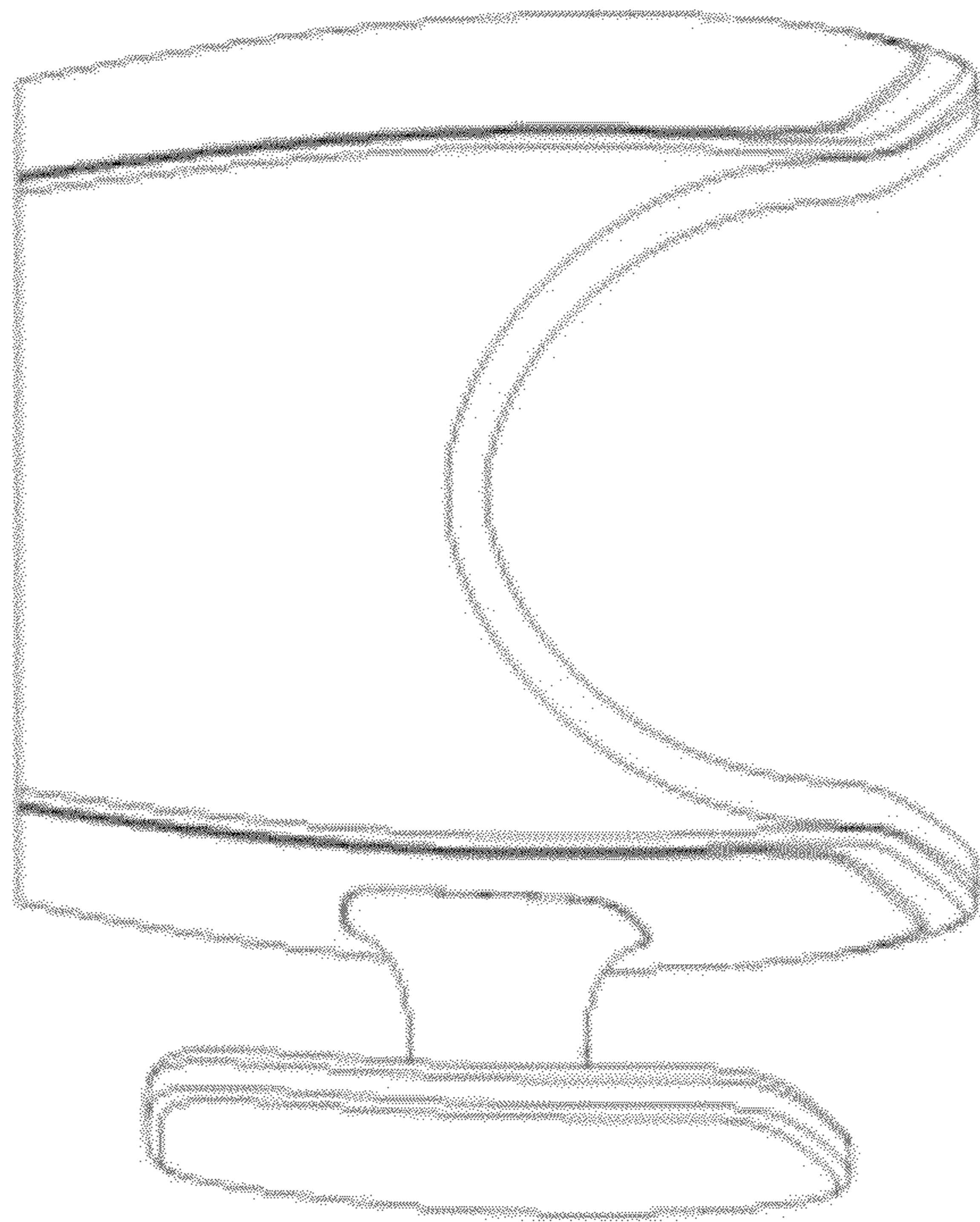


Fig. 7