

US00D663586S

(12) **United States Design Patent**
Audette

(10) **Patent No.:** **US D663,586 S**
(45) **Date of Patent:** **** Jul. 17, 2012**

(54) **BLENDER ATTACHMENT**
(75) Inventor: **David M Audette**, Webster, MA (US)
(73) Assignee: **Euro-Pro Operating LLC**, Newton, MA (US)
(**) Term: **14 Years**
(21) Appl. No.: **29/386,385**
(22) Filed: **Feb. 28, 2011**
(51) **LOC (9) Cl.** **31-00**
(52) **U.S. Cl.** **D7/412; D7/376; D7/378; D7/384**
(58) **Field of Classification Search** D7/301-313,
D7/316-319, 356-357, 368, 372-386, 391-398,
D7/412-415, 515, 665, 679, 691; 99/348,
99/467, 492, 508-512; 241/30-37.5, 101.01-101.2,
241/166-169.1, 172, 199.12, 282.1-282.2,
241/285.1-285.3, 291, 292.1; 366/64-67,
366/98, 129, 142-144, 197-211, 241-254,
366/262, 279-292, 325.8, 325.92, 341-347;
416/75-77, 70 R, 163
See application file for complete search history.

D403,920 S 1/1999 Pytlewski
D421,201 S 2/2000 Crescenzi et al.
D421,546 S * 3/2000 Ekstrom D7/412
6,446,547 B2 * 9/2002 Kubicko et al. 99/467
6,532,863 B1 * 3/2003 Lee 99/348
D499,303 S 12/2004 Huang
D501,628 S 2/2005 Feil
D503,588 S 4/2005 Feil
D506,354 S 6/2005 Nguyen
D536,577 S 2/2007 Henry et al.
D572,076 S * 7/2008 Ling D7/384
D604,101 S * 11/2009 Sands D7/412
7,677,485 B2 * 3/2010 Gursel 241/282.1
D622,095 S * 8/2010 Metaxatos et al. D7/383
D623,890 S * 9/2010 Metaxatos et al. D7/376
D647,364 S * 10/2011 Audette et al. D7/412
D647,365 S * 10/2011 Audette et al. D7/412
8,132,752 B1 * 3/2012 Hotaling et al. 241/282.1
2003/0007418 A1 * 1/2003 Safont et al. 366/247
2010/0246320 A1 * 9/2010 Sands 366/246
* cited by examiner

Primary Examiner — Ricky Pham
(74) *Attorney, Agent, or Firm* — Wolf, Greenfield & Sacks, P.C.

(57) **CLAIM**
The ornamental design of a blender attachment, substantially as shown and described.

(56) **References Cited**

U.S. PATENT DOCUMENTS

3,139,917 A * 7/1964 Elmore 241/199.12
3,156,278 A * 11/1964 Otto 241/282.2
3,461,933 A * 8/1969 Mantelet 241/199.12
D221,792 S 9/1971 Moffatt et al.
4,143,824 A * 3/1979 Shiotani 241/282.1
4,173,310 A * 11/1979 Schaeffer 241/282.1
4,331,300 A * 5/1982 Hicks et al. 241/282.1
4,733,827 A * 3/1988 Williams 241/101.2
4,817,878 A * 4/1989 Shibata 241/282.2
D366,595 S * 1/1996 Dobson et al. D7/384
D366,596 S 1/1996 Hewin
D367,800 S * 3/1996 Littmann D7/384
D395,573 S * 6/1998 Leverrier D7/381

DESCRIPTION

FIG. 1 is a perspective view of a blender attachment in accordance with the present design;
FIG. 2 is a front view thereof;
FIG. 3 is a rear view thereof;
FIG. 4 is a left side view thereof;
FIG. 5 is a right side view thereof;
FIG. 6 is a top plan view thereof; and,
FIG. 7 is a bottom plan view thereof.

1 Claim, 2 Drawing Sheets

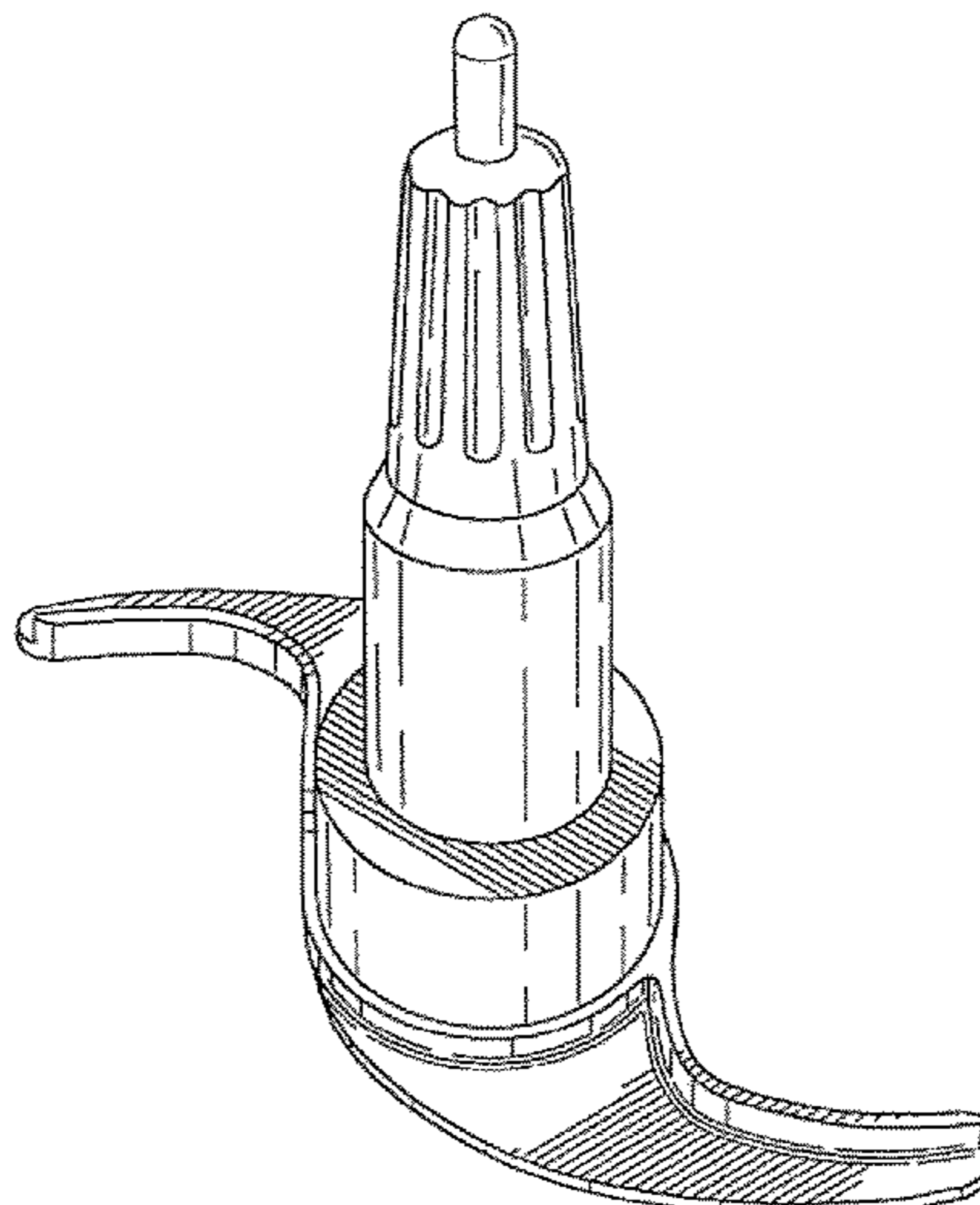


FIG. 1

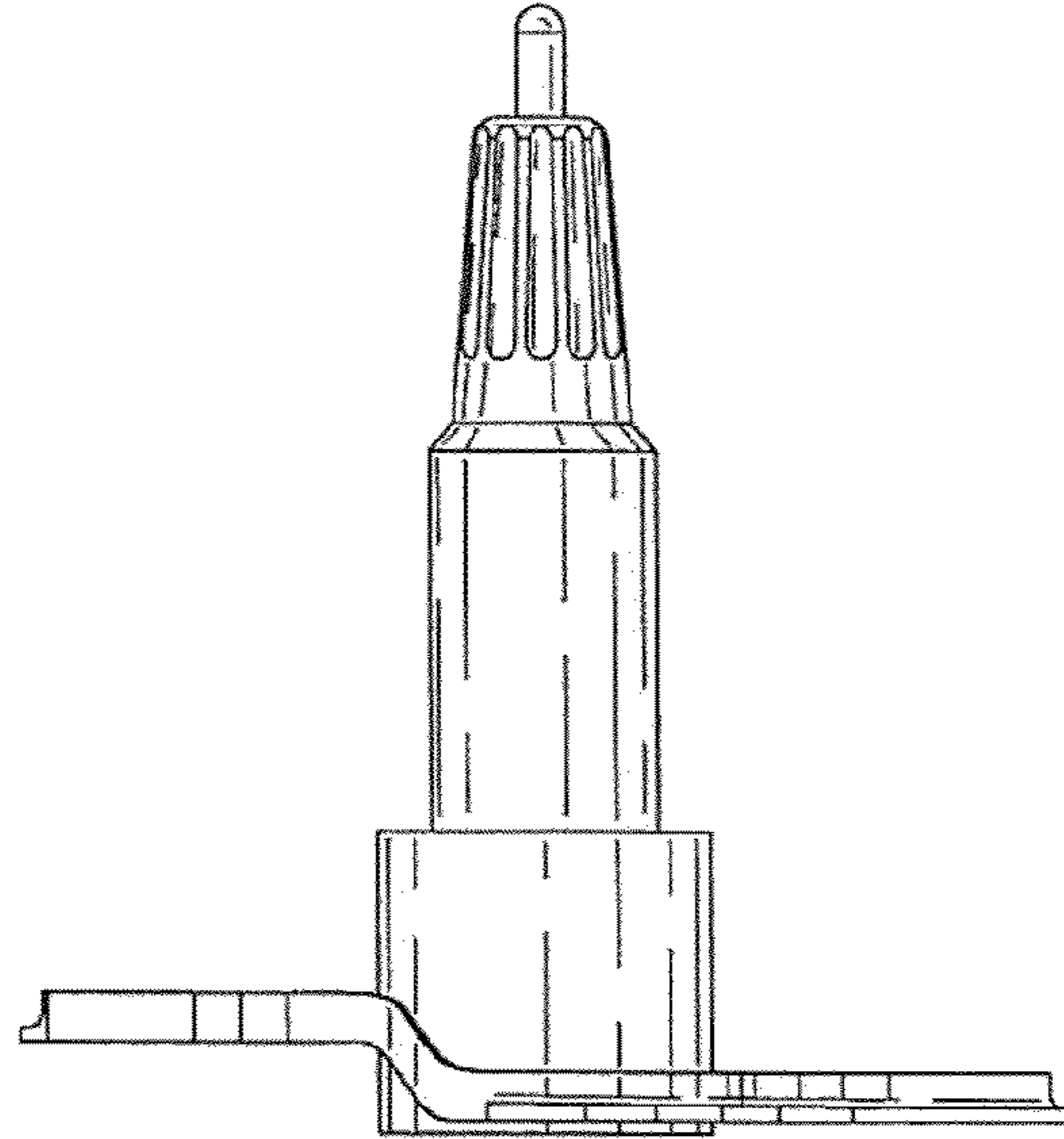
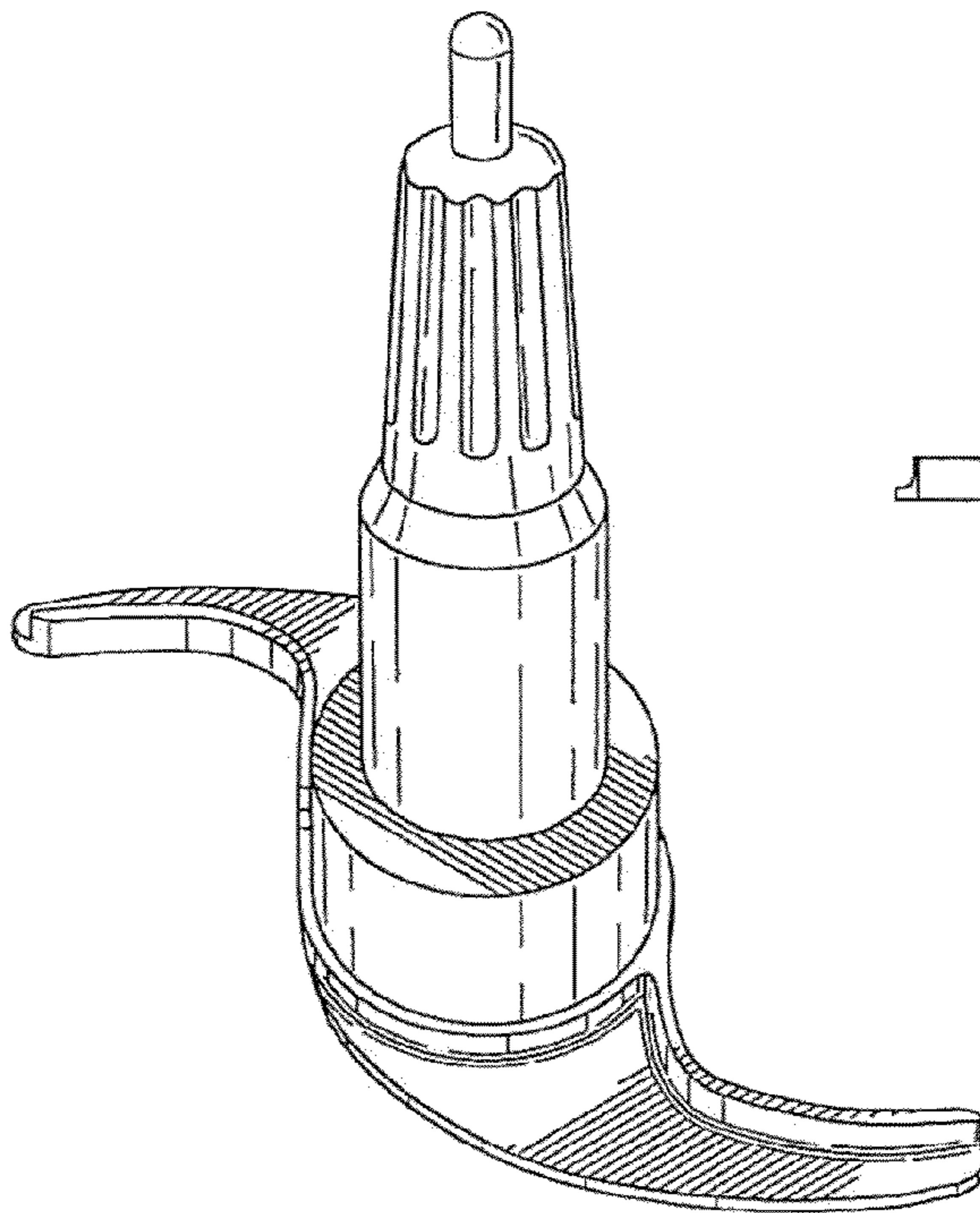


FIG. 2

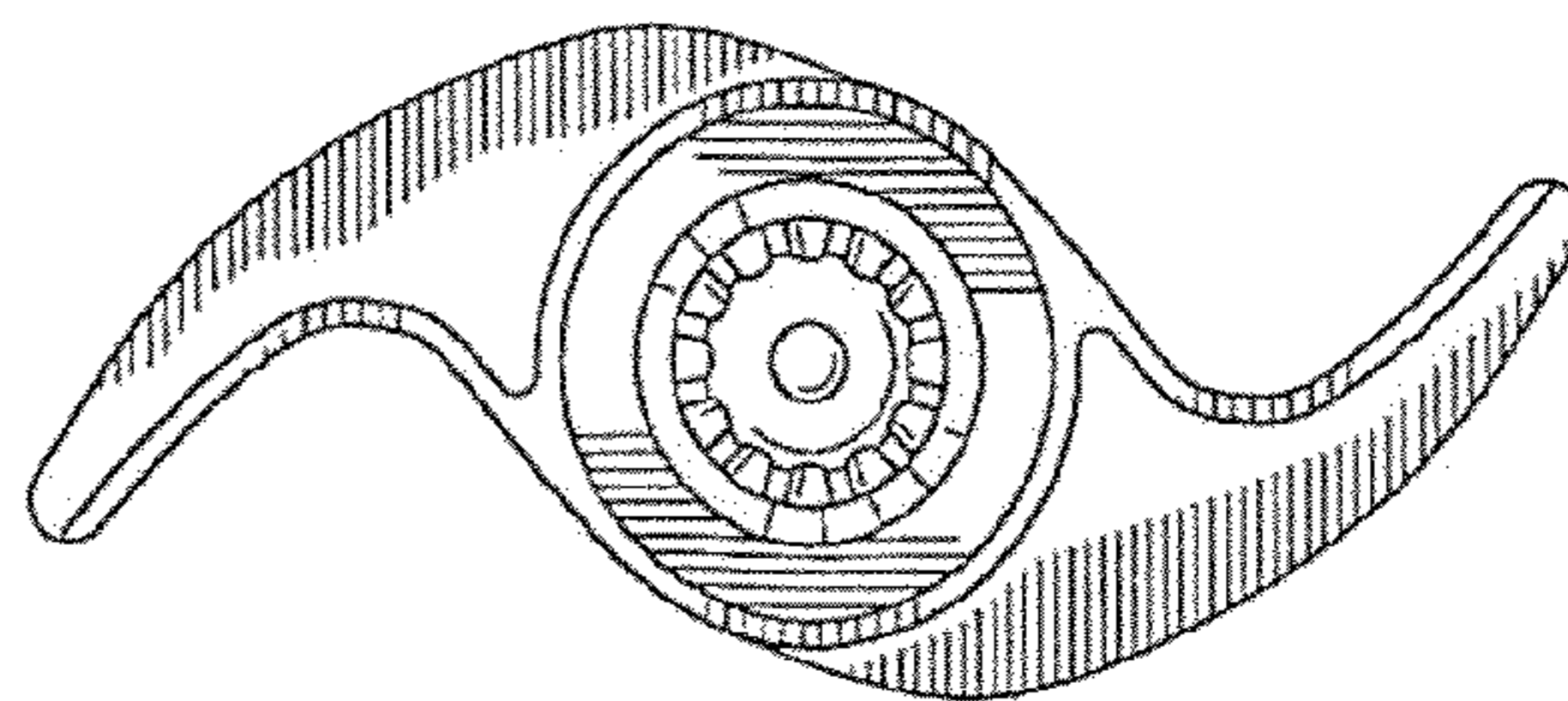


FIG. 6

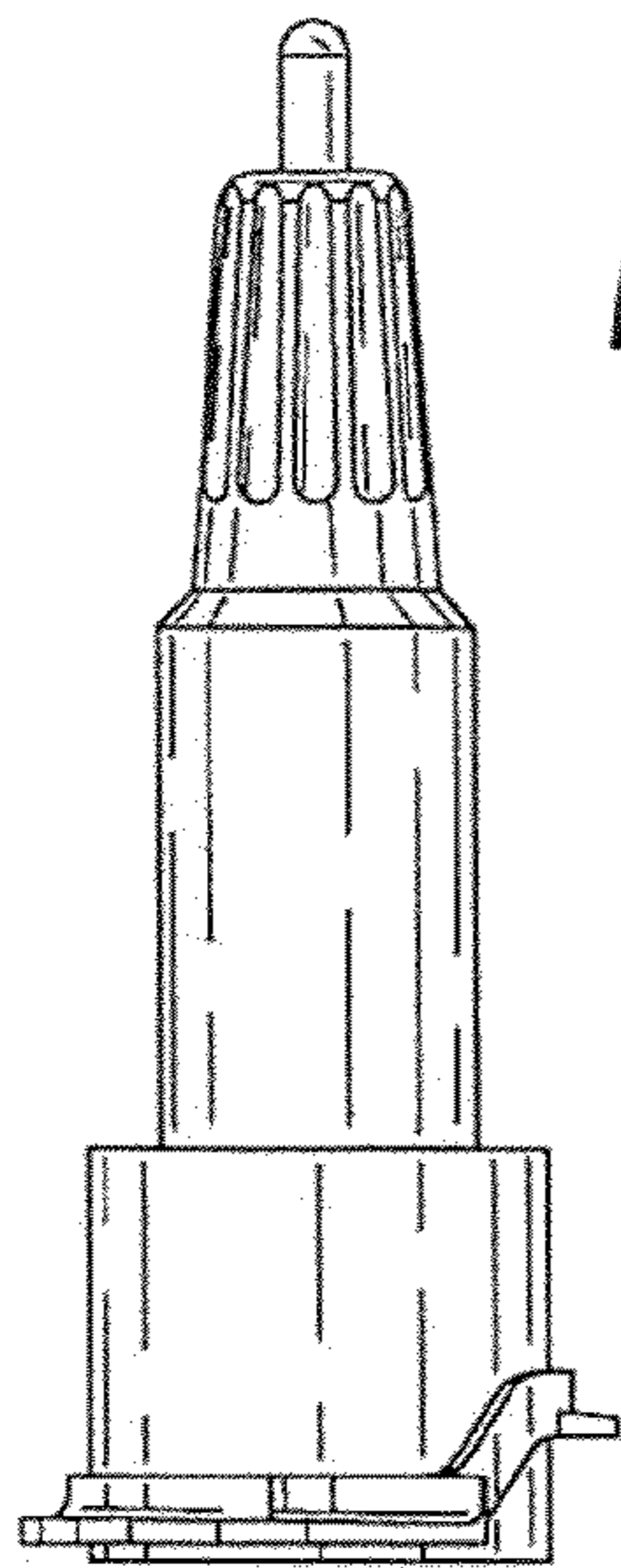


FIG. 4

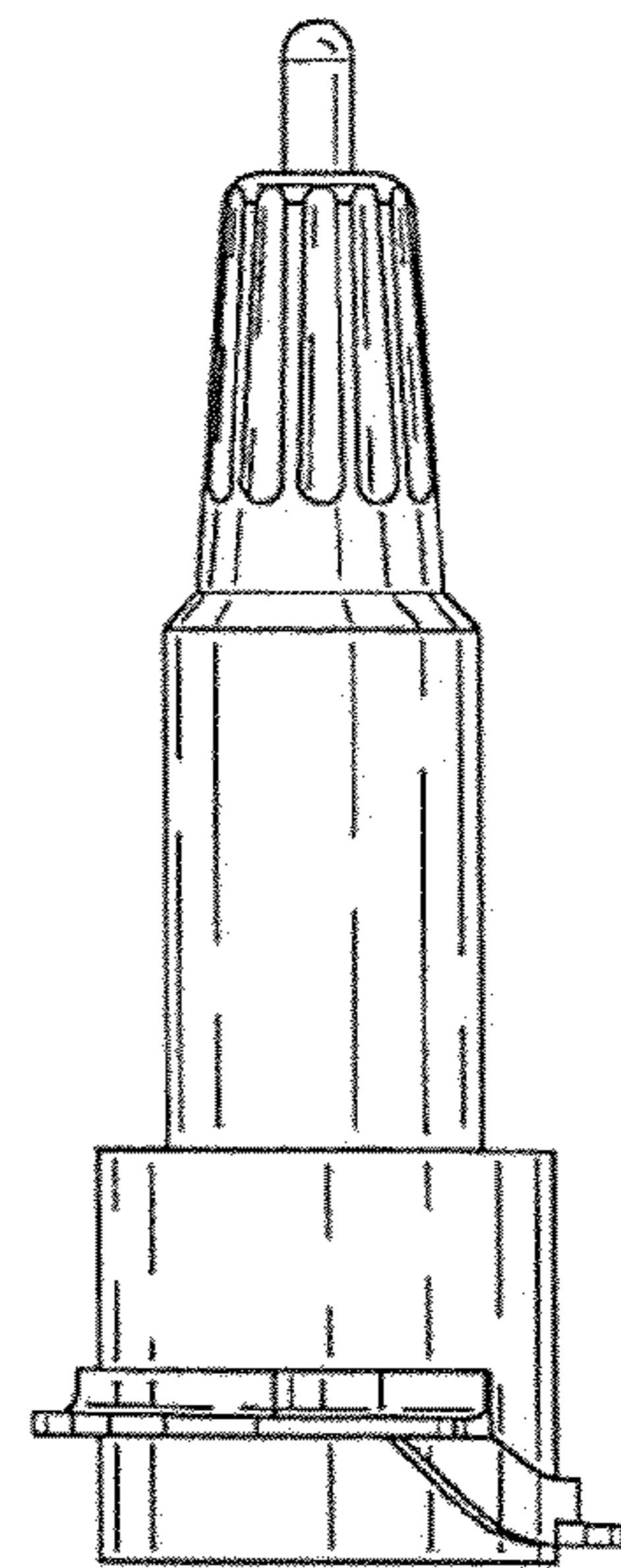


FIG. 5

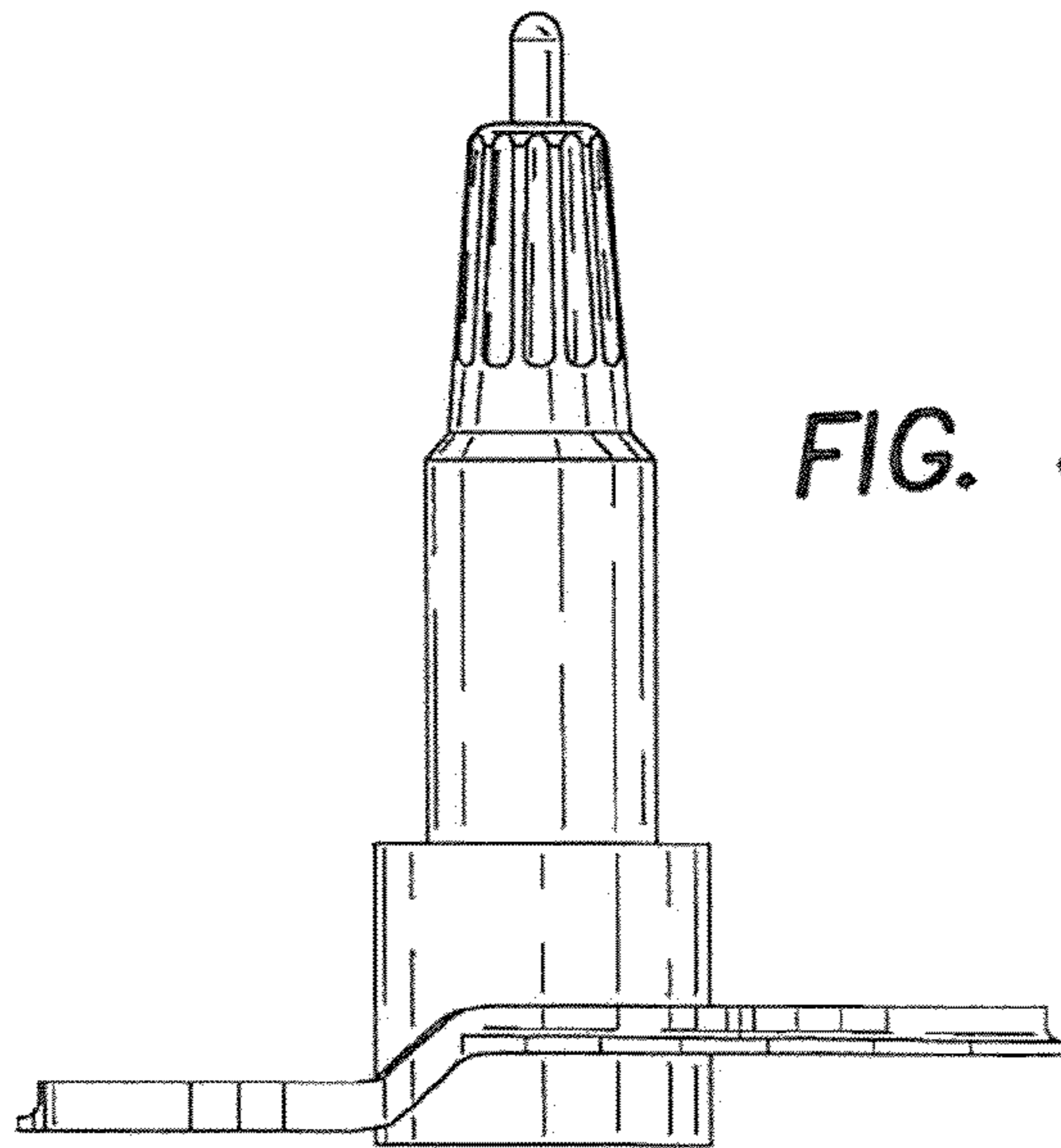


FIG. 3

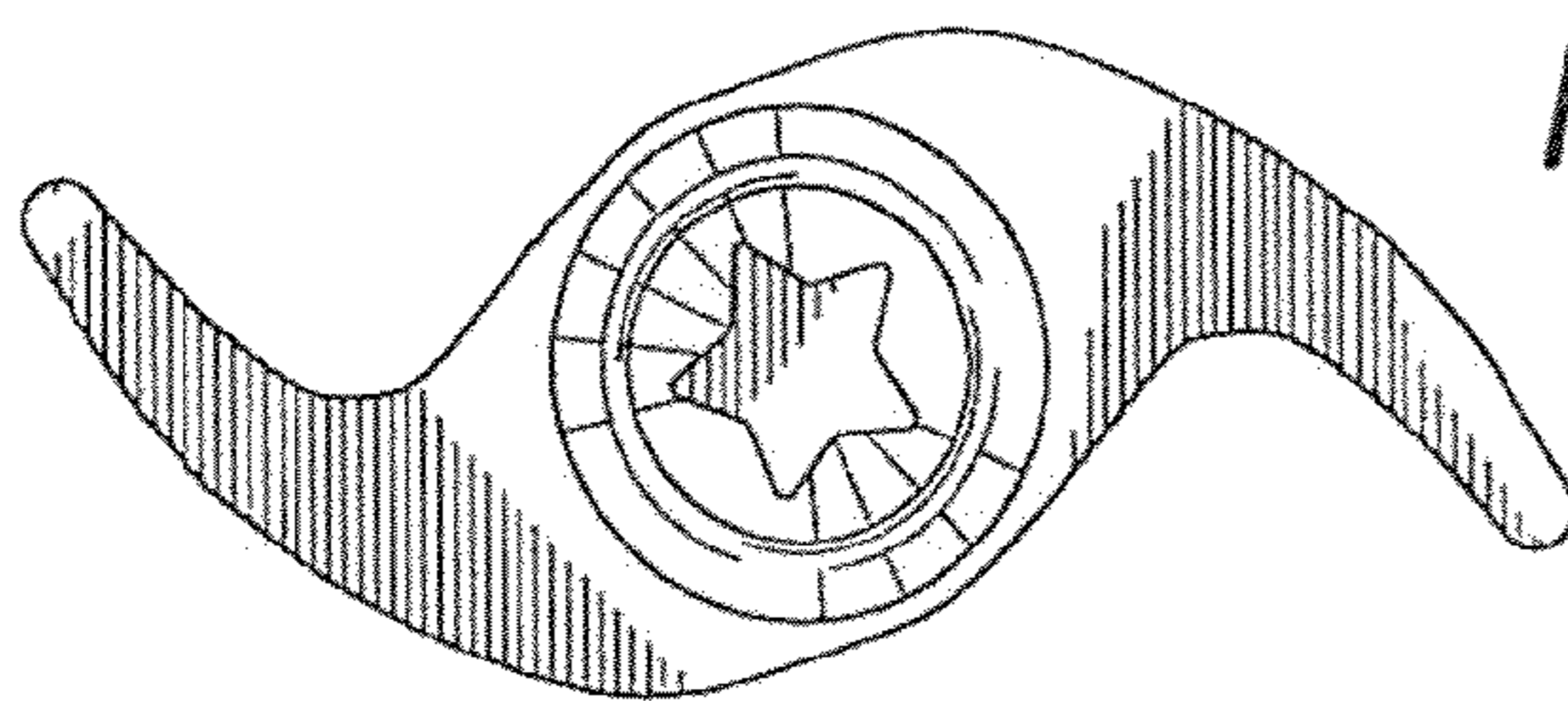


FIG. 7