



US00D663584S

(12) **United States Design Patent**
Sadtler

(10) **Patent No.:** **US D663,584 S**
(45) **Date of Patent:** **** Jul. 17, 2012**

- (54) **STEAM OVEN FRAME**
- (75) Inventor: **Graham Sadtler**, Huntington Beach, CA (US)
- (73) Assignee: **BSH Home Appliances Corporation**, Irvine, CA (US)
- (**) Term: **14 Years**
- (21) Appl. No.: **29/411,170**
- (22) Filed: **Jan. 18, 2012**

Related U.S. Application Data

- (62) Division of application No. 29/403,016, filed on Sep. 30, 2011, which is a division of application No. 29/396,027, filed on Jun. 24, 2011, now Pat. No. Des. 651,460, which is a division of application No. 29/379,578, filed on Nov. 22, 2010, now Pat. No. Des. 645,703, which is a division of application No. 29/366,174, filed on Jul. 21, 2010, now Pat. No. Des. 633,336.

- (51) **LOC (9) Cl.** **07-02**
- (52) **U.S. Cl.** **D7/405**
- (58) **Field of Classification Search** D7/349, D7/350.1-350.4, 351, 402-408; D6/446, D6/448, 470, 474, 491, 492, 494, 510, 509, D6/477, 467, 432, 442; D32/1-8, 25, 28, D32/30; D3/297, 905; D13/184; D15/79-91; D23/315, 372, 386; D25/102, 121; 174/504, 174/507; 99/327-328, 331-332, 357, 448, 99/467-468; 126/19 M, 275 R, 275 E, 386-387, 126/756-758; 62/3.1, 3.6, 3.63
See application file for complete search history.

(56) **References Cited**

U.S. PATENT DOCUMENTS

- D302,372 S * 7/1989 Mizuma et al. D7/351
- D326,197 S * 5/1992 Heiligenthal et al. D6/474
- D341,253 S * 11/1993 Ballman et al. D3/297

- D341,962 S * 12/1993 Bovermann et al. D6/492
- D361,681 S * 8/1995 Calder D6/494
- D361,835 S * 8/1995 Brandon D23/372
- D365,225 S * 12/1995 Poortvliet et al. D6/446
- D371,041 S * 6/1996 Matoba et al. D7/351
- D448,893 S * 10/2001 Costello D32/3
- D455,932 S * 4/2002 Noda et al. D7/351
- D457,354 S * 5/2002 Reese et al. D6/470
- D477,964 S * 8/2003 Kanza D7/351
- D483,206 S * 12/2003 Schweikarth D6/510
- D516,758 S * 3/2006 Kirk D32/3
- D516,848 S * 3/2006 Schweikarth D6/510
- D517,252 S * 3/2006 Kirk D32/3
- D525,830 S * 8/2006 Pryor D7/405
- D527,948 S * 9/2006 Bengtson D7/349
- D530,152 S * 10/2006 Pryor D7/405
- D539,994 S * 4/2007 Pezzetta et al. D32/3
- D549,408 S * 8/2007 Lee D32/25
- D550,726 S * 9/2007 Rand et al. D15/91
- D555,976 S * 11/2007 Baldwin D7/405
- D563,439 S * 3/2008 Rosenfelder et al. D15/91
- D564,835 S * 3/2008 Crookshanks et al. D7/405

(Continued)

Primary Examiner — T. Chase Nelson

Assistant Examiner — Mark Cavanna

(74) *Attorney, Agent, or Firm* — James E. Howard; Andre Pallapies

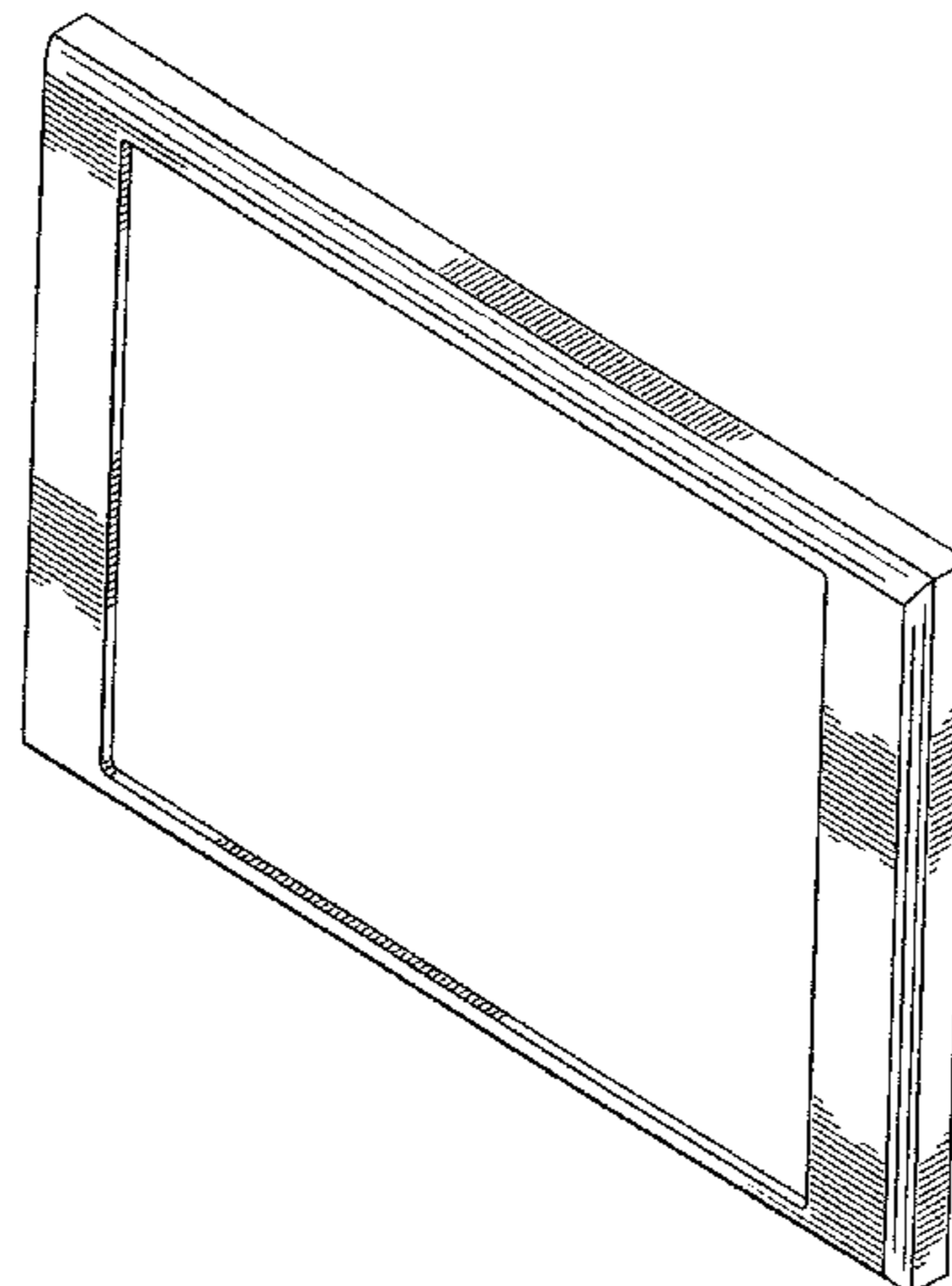
(57) **CLAIM**

The ornamental design for steam oven frame, as shown and described.

DESCRIPTION

FIG. 1 is a perspective view from the front right side of a steam oven frame showing my new ornamental design;
 FIG. 2 is a front view thereof;
 FIG. 3 is a rear view thereof;
 FIG. 4 is a left side view thereof, with the right side view being a mirror image thereof; and,
 FIG. 5 is a cross-section along line 5-5 of FIG. 2.

1 Claim, 4 Drawing Sheets



US D663,584 S

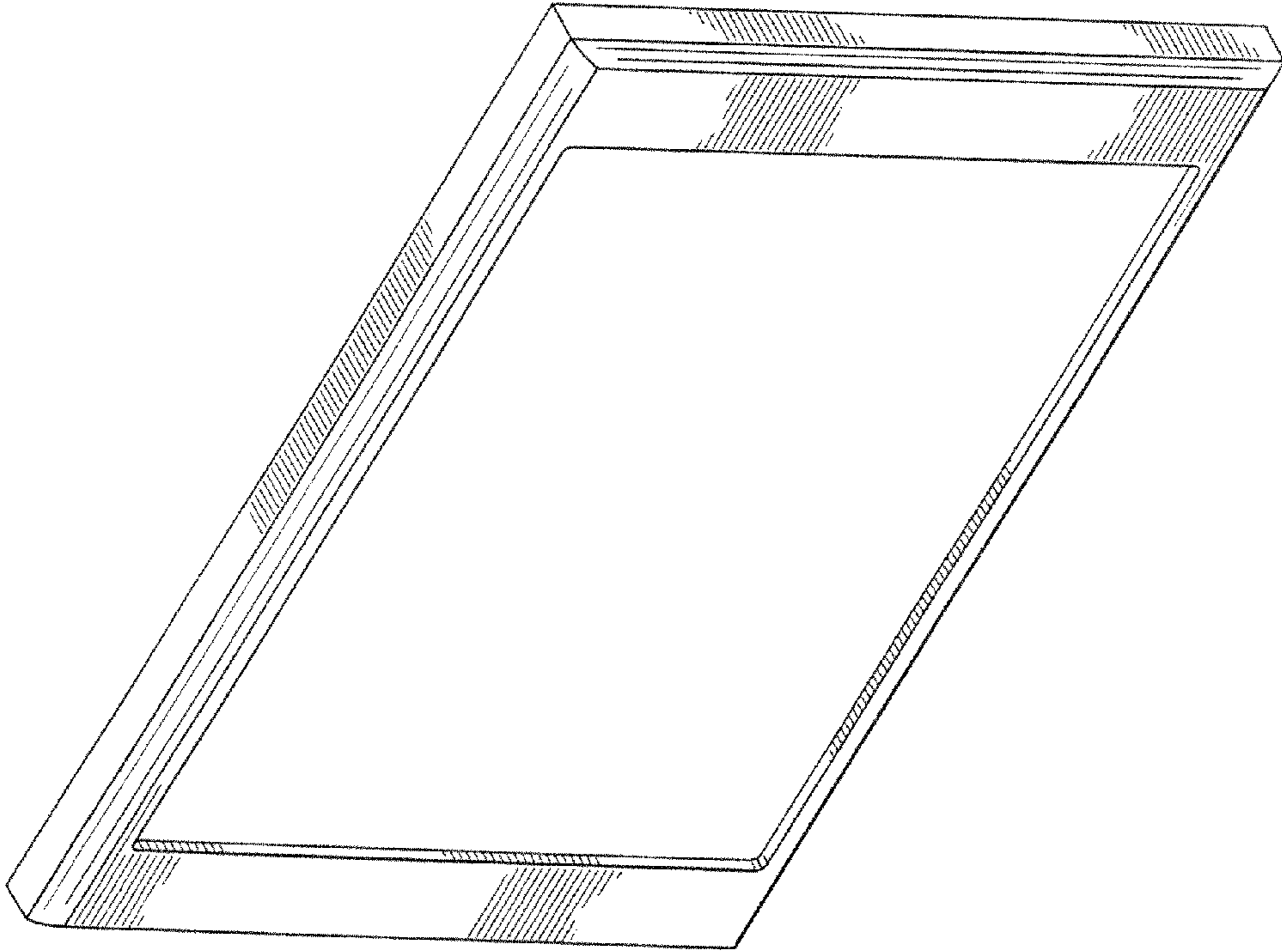
Page 2

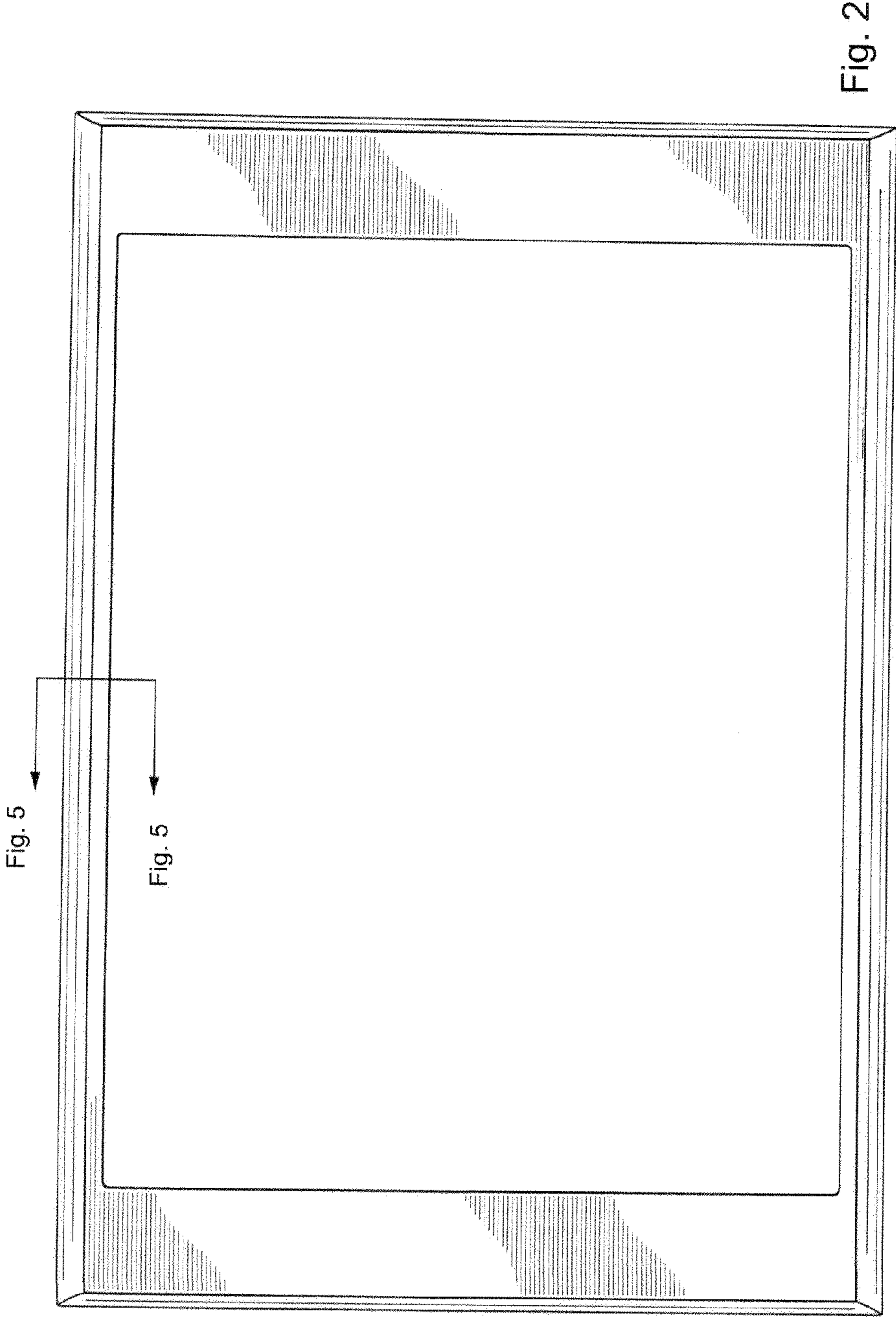
U.S. PATENT DOCUMENTS

D566,465 S *	4/2008	Crookshanks	D7/405	D613,990 S *	4/2010	Baek	D7/351
D568,682 S *	5/2008	Crookshanks	D7/405	D626,781 S *	11/2010	Busalt et al.	D7/349
D569,065 S *	5/2008	Ritterling	D32/25	D626,782 S *	11/2010	Busalt et al.	D7/349
D569,178 S *	5/2008	Crookshanks	D7/405	D643,672 S *	8/2011	Busalt et al.	D7/349
D569,686 S *	5/2008	Martin et al.	D7/405	D645,293 S *	9/2011	Busalt et al.	D7/349
D572,527 S *	7/2008	Crookshanks	D7/405	D645,701 S *	9/2011	Murphy et al.	D7/402
D572,528 S *	7/2008	Crookshanks	D7/405	D649,833 S *	12/2011	Browne et al.	D7/405
D572,529 S *	7/2008	Crookshanks et al.	D7/405	D651,461 S *	1/2012	Browne et al.	D7/405
D572,530 S *	7/2008	Crookshanks et al.	D7/405	D651,462 S *	1/2012	Browne et al.	D7/405
D575,560 S *	8/2008	English	D6/491	D652,677 S *	1/2012	Browne et al.	D7/405
D579,245 S *	10/2008	Daino et al.	D6/510	D653,908 S *	2/2012	Browne et al.	D7/405
D592,009 S *	5/2009	Crookshanks	D7/405	2003/0106702 A1 *	6/2003	Seamans et al.	174/48
D611,294 S *	3/2010	Busalt et al.	D7/349					

* cited by examiner

Fig. 1





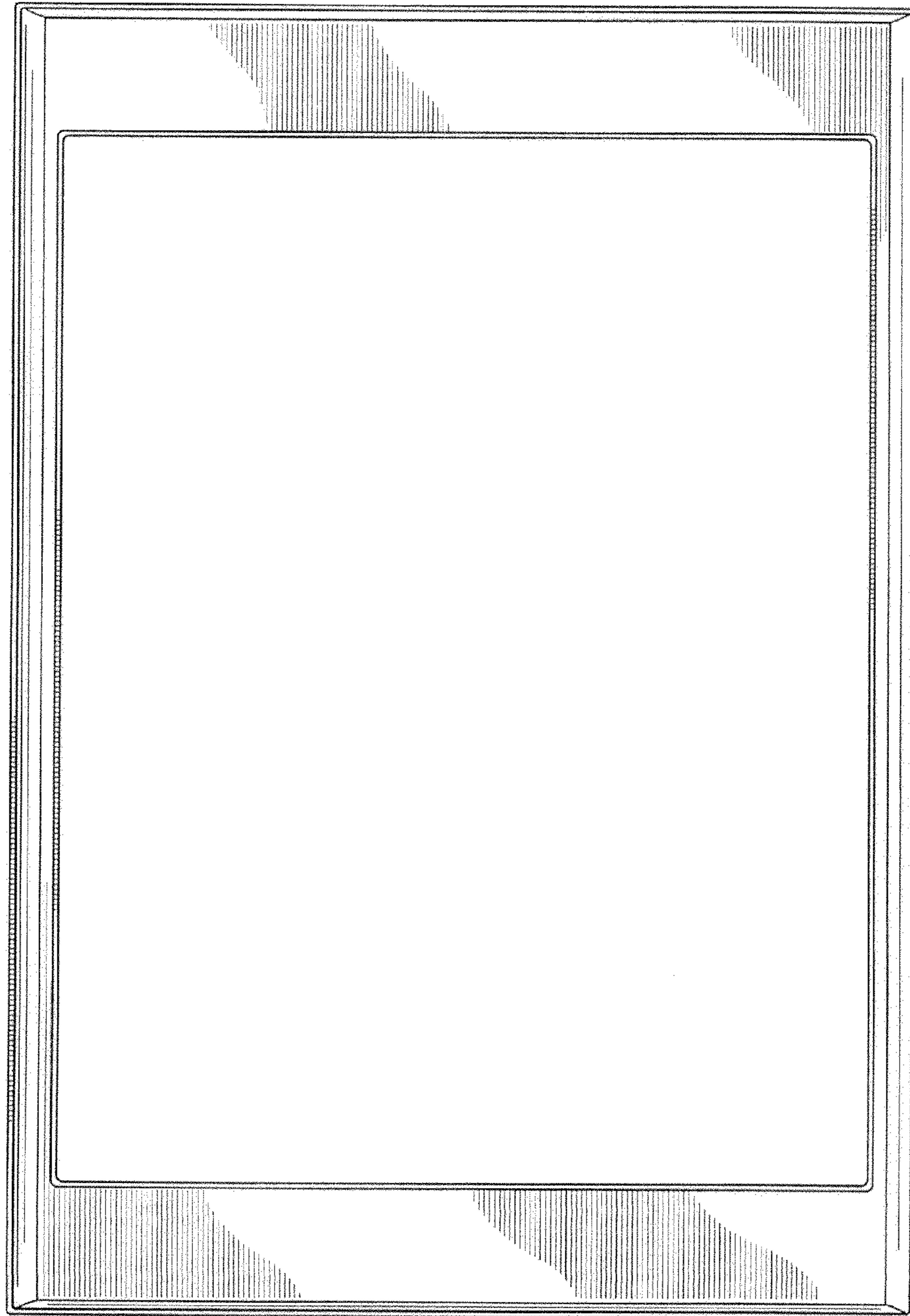


Fig. 3



Fig. 4

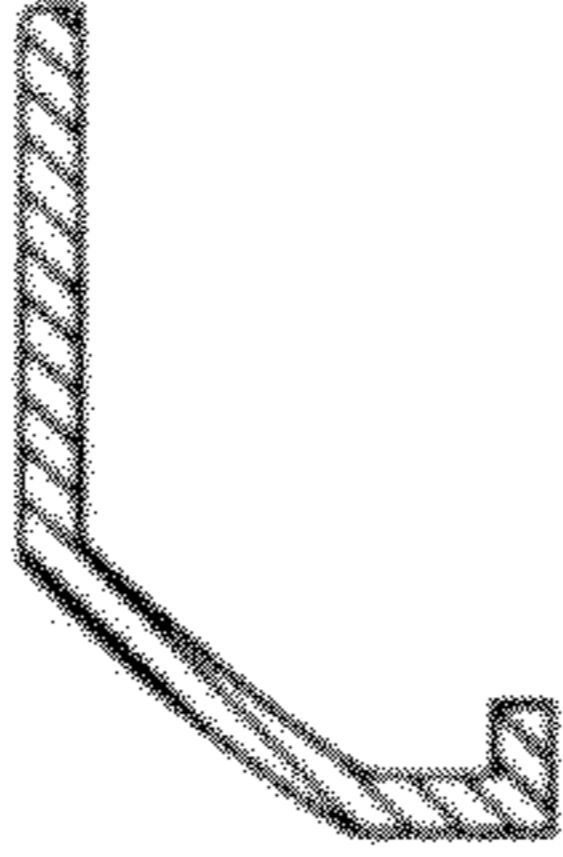


Fig. 5