

US00D663579S

(12) **United States Design Patent**  
**Yang**

(10) **Patent No.:** **US D663,579 S**

(45) **Date of Patent:** **\*\* Jul. 17, 2012**

(54) **BARREL FOR BEVERAGE MAKING DEVICE**

D507,447 S \* 7/2005 Moore et al. .... D7/300  
D516,269 S \* 2/2006 Kurauchi ..... D34/39  
D645,694 S \* 9/2011 Kusch et al. .... D7/306

(76) Inventor: **Daniel Yang**, Taoyuan County (TW)

\* cited by examiner

(\*\*) Term: **14 Years**

*Primary Examiner* — Marianne Pandozzi

(21) Appl. No.: **29/387,897**

(74) *Attorney, Agent, or Firm* — Rosenberg, Klein & Lee

(22) Filed: **Mar. 21, 2011**

(57) **CLAIM**

I claim, the ornamental design for a barrel for a beverage making device, as shown and described.

(51) **LOC (9) Cl.** ..... **07-99**

**DESCRIPTION**

(52) **U.S. Cl.** ..... **D7/397; D7/300**

(58) **Field of Classification Search** ..... D7/397,

D7/300; 99/293, 279; D34/39; 220/552.19

See application file for complete search history.

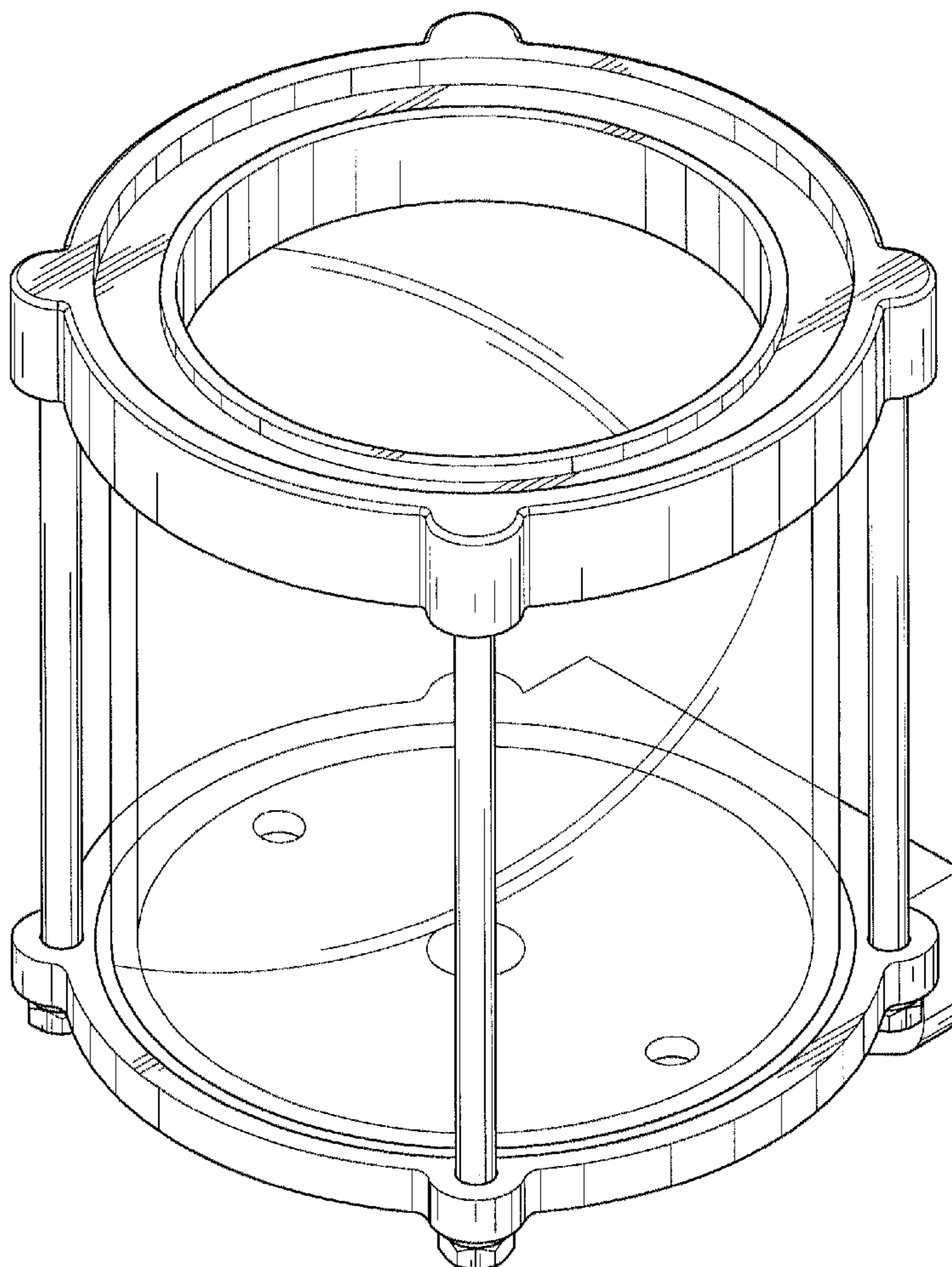
FIG. 1 is a perspective view of a barrel for a beverage making device showing my present design;  
FIG. 2 is a front view thereof;  
FIG. 3 is a rear view thereof;  
FIG. 4 is a left view thereof;  
FIG. 5 is a right view thereof;  
FIG. 6 is a top plan view thereof;  
FIG. 7 is a bottom plan view thereof; and,  
FIG. 8 is a rear-bottom perspective view thereof.

(56) **References Cited**

**U.S. PATENT DOCUMENTS**

D207,031 S \* 2/1967 Jerore ..... D7/397  
3,811,373 A \* 5/1974 Telco ..... 99/295  
D324,149 S \* 2/1992 Beeren ..... D7/309  
D331,349 S \* 12/1992 Culverson ..... D7/387  
D407,884 S \* 4/1999 Duke ..... D34/39

**1 Claim, 8 Drawing Sheets**



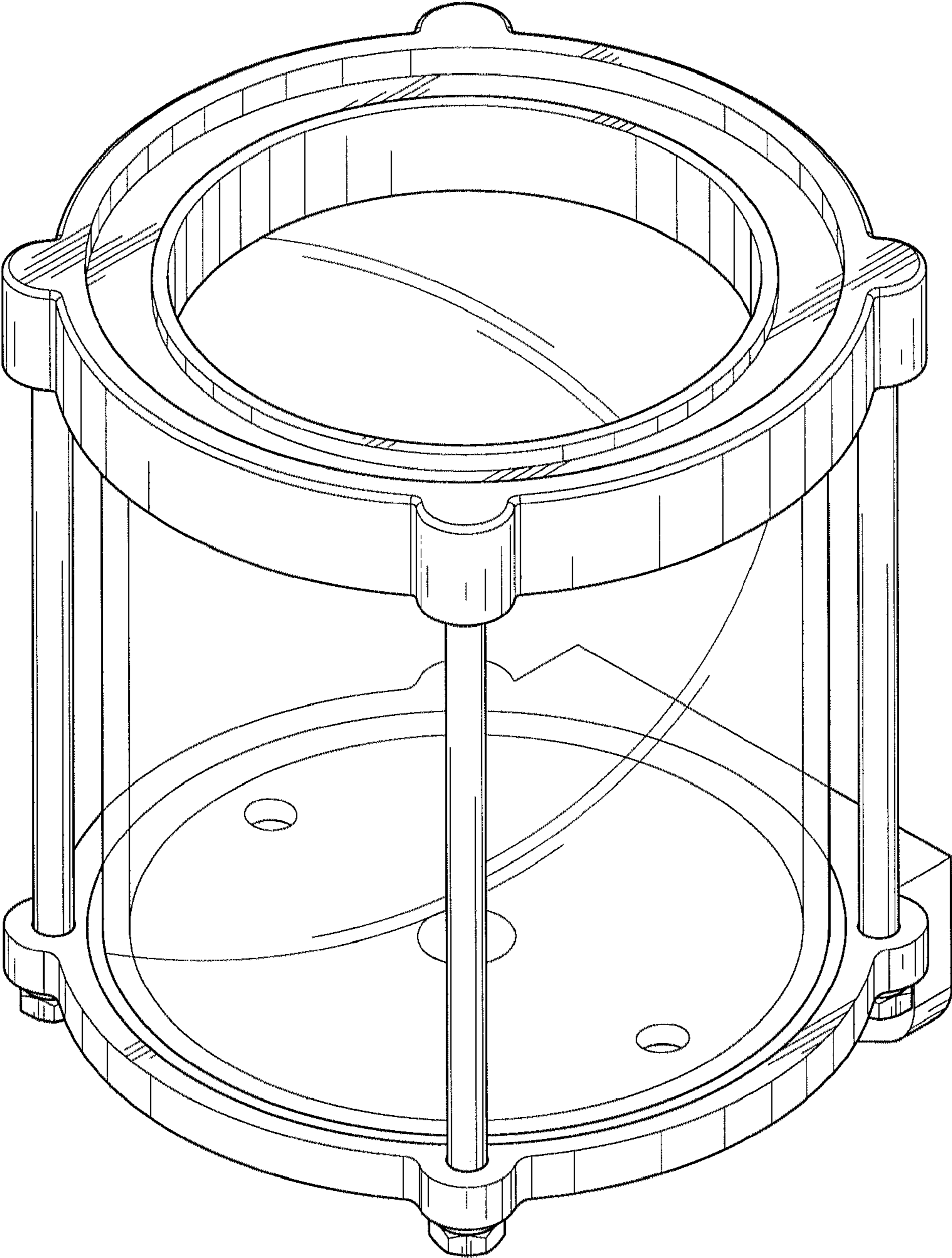


FIG . 1

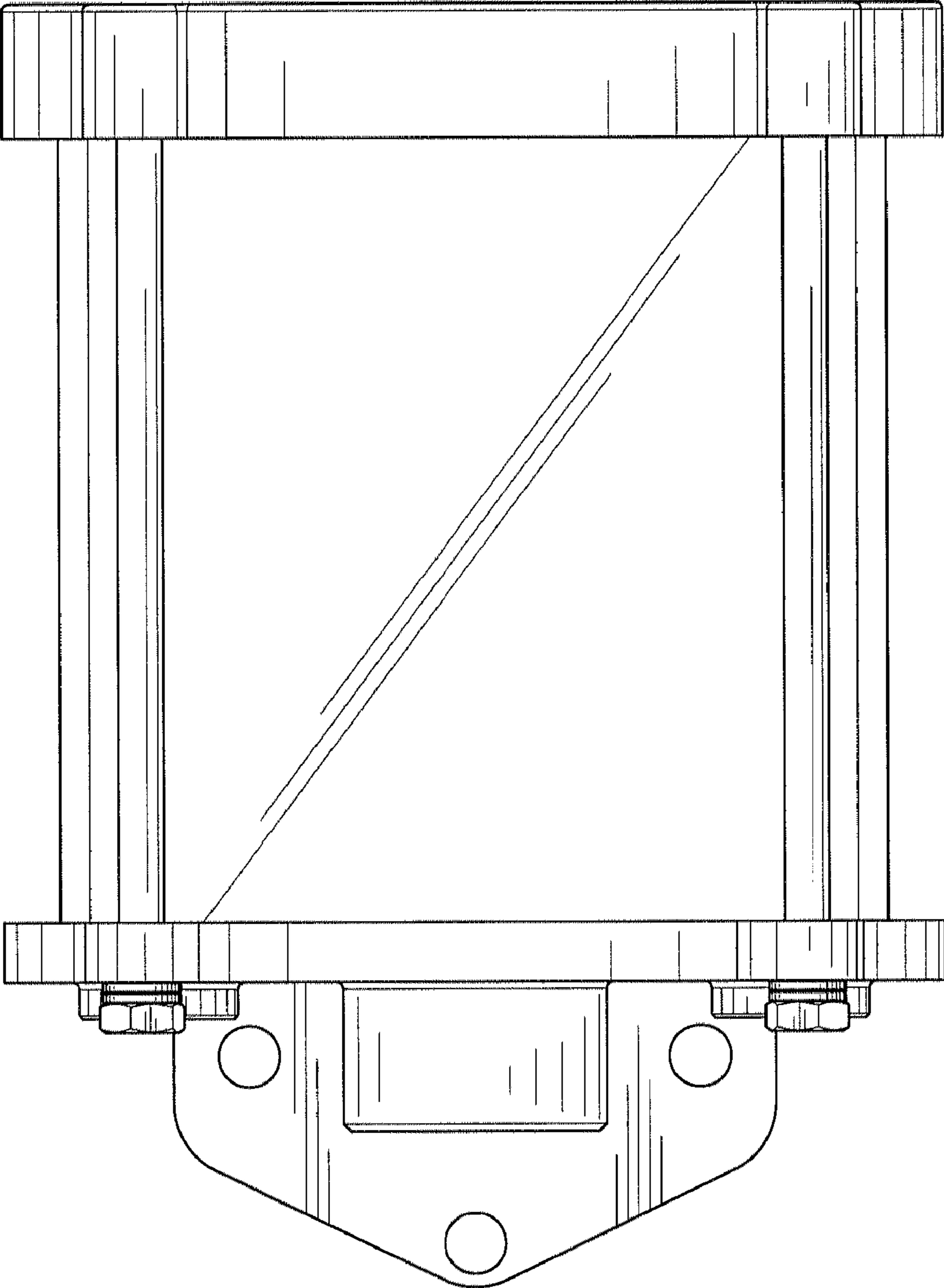


FIG . 2

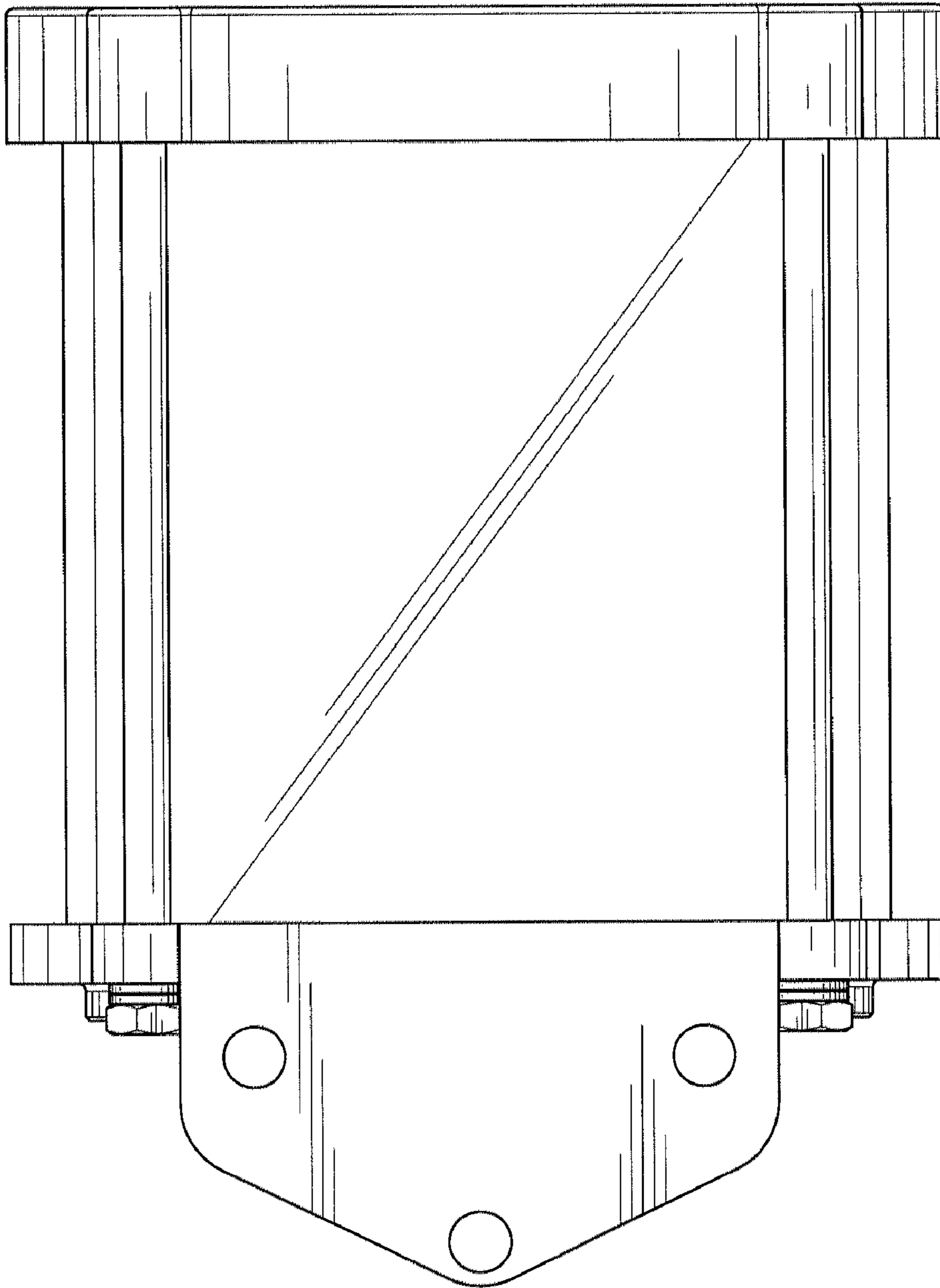


FIG. 3

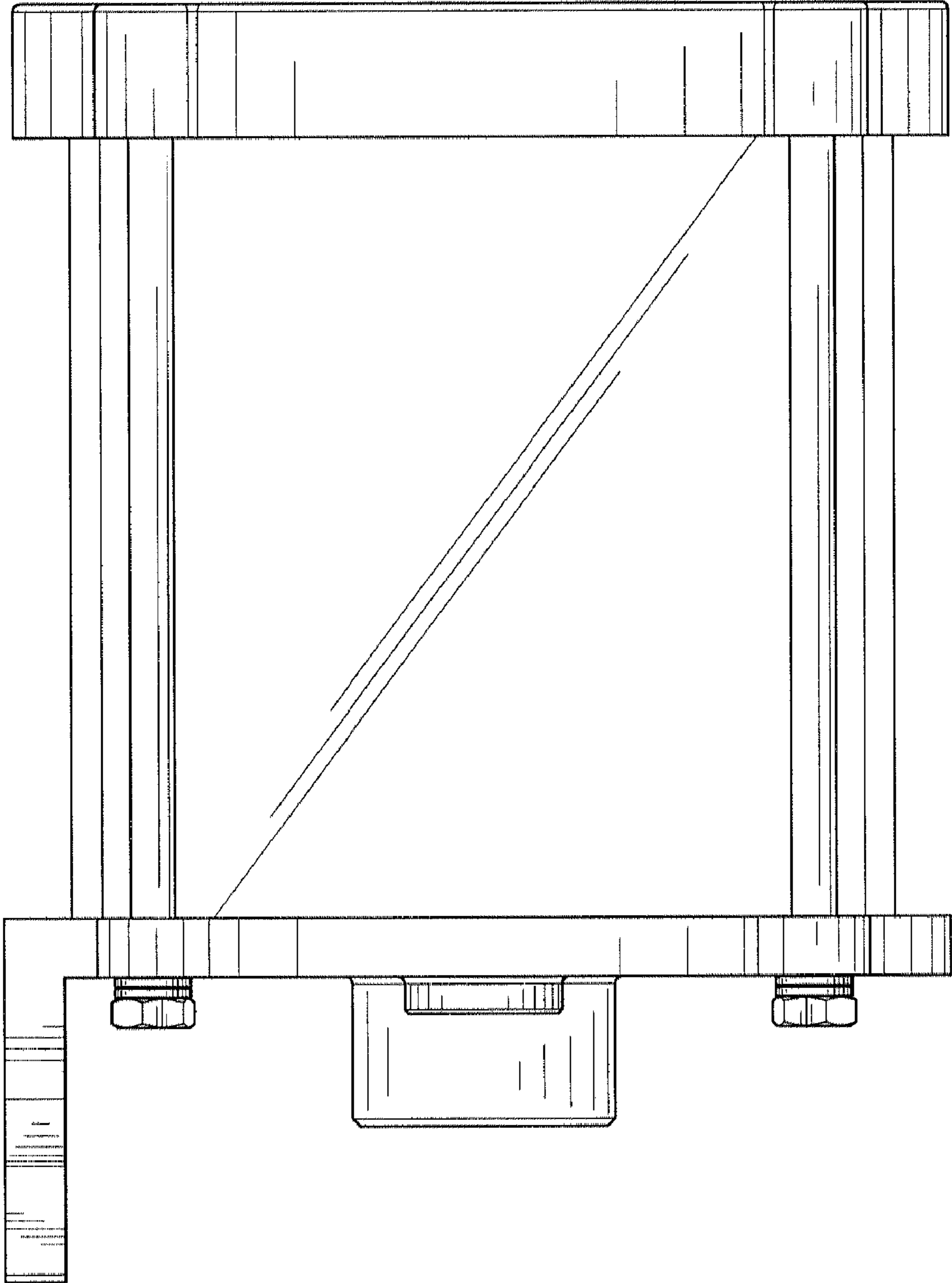


FIG . 4

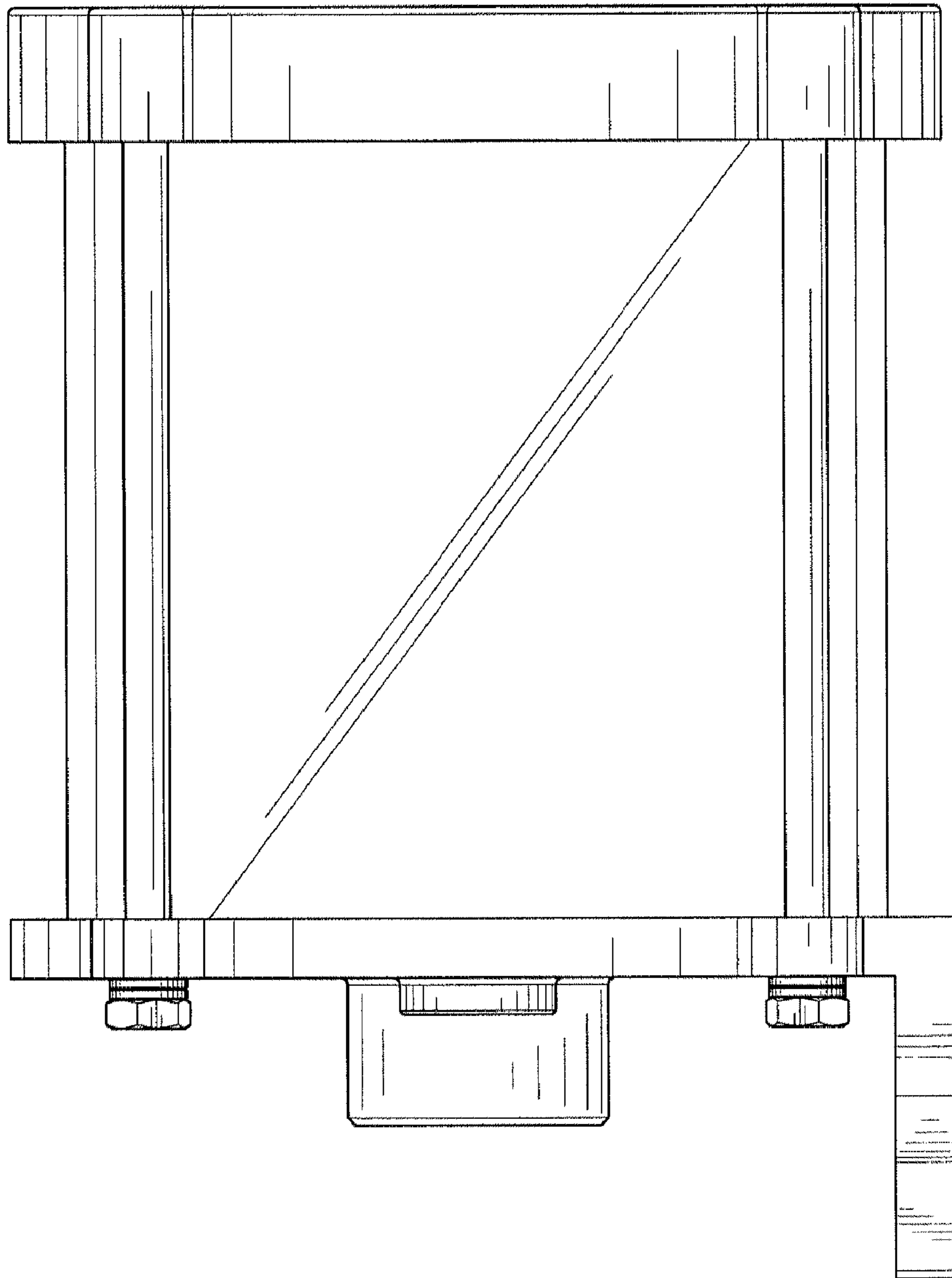


FIG. 5

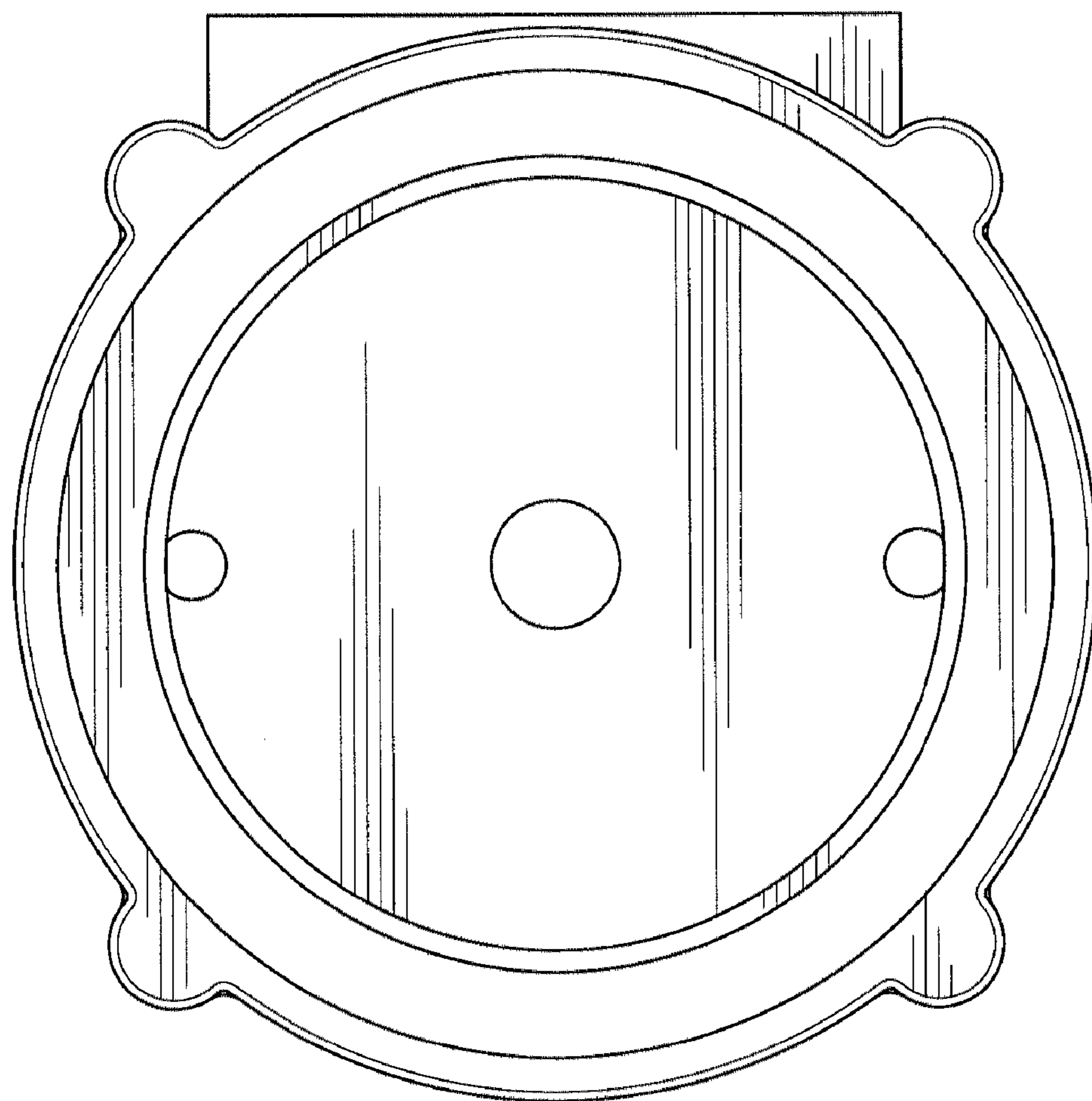


FIG. 6

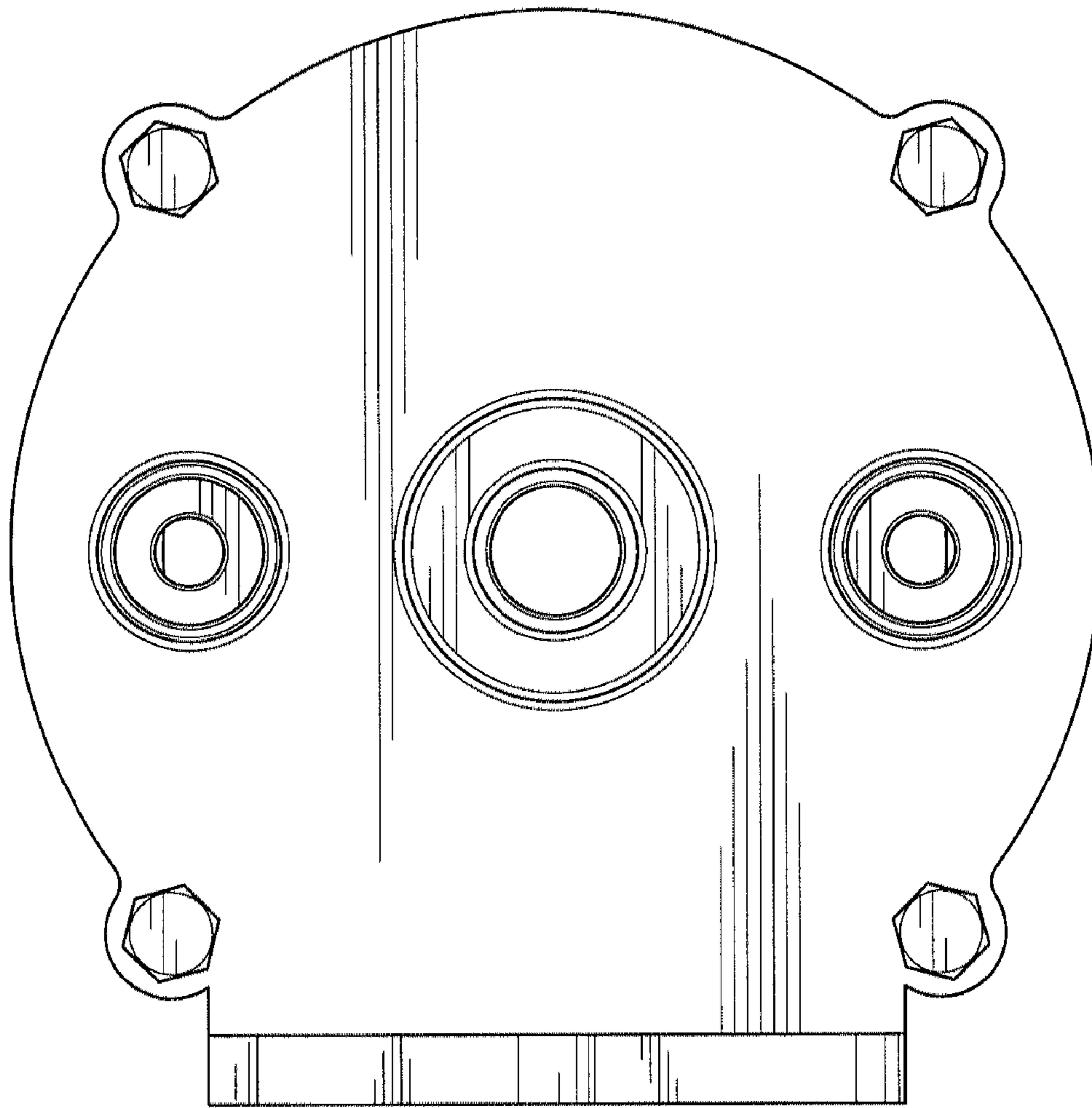


FIG. 7



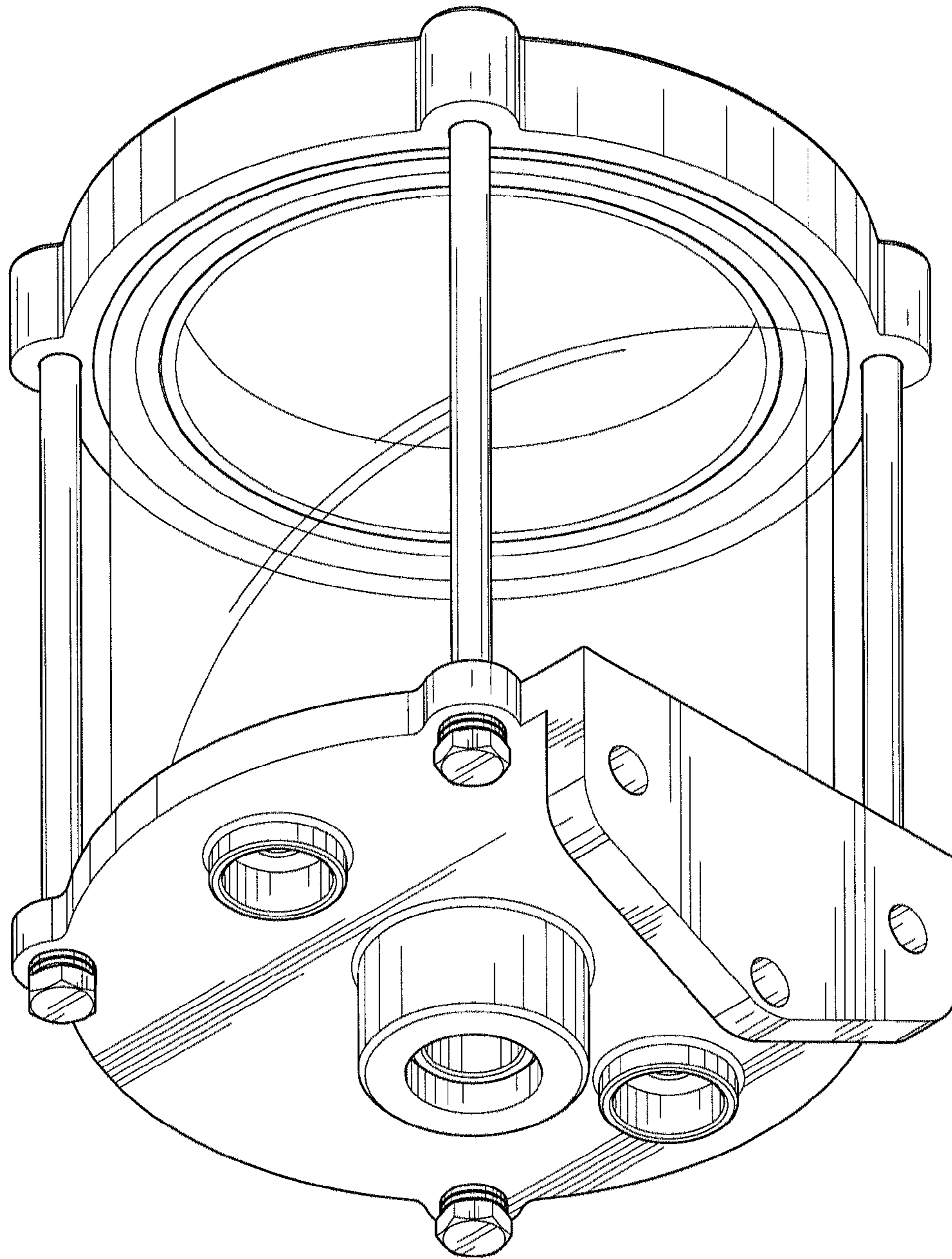


FIG . 8