



US00D663574S

(12) **United States Design Patent**
Shenkal

(10) **Patent No.:** **US D663,574 S**
(45) **Date of Patent:** **** Jul. 17, 2012**

(54) **BEVERAGE PROPHYLACTIC**

(75) Inventor: **Yuval Shenkal**, San Diego, CA (US)

(73) Assignee: **Coast Molding, Inc.**, San Diego, CA (US)

(**) Term: **14 Years**

(21) Appl. No.: **29/364,257**

(22) Filed: **Jun. 21, 2010**

(51) **LOC (9) Cl.** **07-01**

(52) **U.S. Cl.** **D7/392.1; D7/510**

(58) **Field of Classification Search** D9/452,
D9/436, 457; 220/229, 287; 215/388, 902,
215/317; 53/287; 150/154; D7/391, 400,
D7/900, 392.1, 510, 511
See application file for complete search history.

(56) **References Cited**

U.S. PATENT DOCUMENTS

2,948,453	A *	8/1960	Drown	229/103.1
3,773,243	A *	11/1973	Greene	229/103.1
3,862,614	A *	1/1975	Kovac	215/317
D274,285	S *	6/1984	Budde	D21/825
4,631,715	A *	12/1986	Hoover	369/68
4,948,009	A *	8/1990	Sawatani	220/229
D315,475	S *	3/1991	Finger et al.	D7/392
5,071,019	A *	12/1991	Sizemore	220/709
D415,027	S *	10/1999	Blazar	D9/447
D420,253	S *	2/2000	Malusek	D7/392.1
D424,376	S *	5/2000	Malusek	D7/511
6,142,335	A *	11/2000	Query, Jr.	220/707
6,276,551	B1	8/2001	Miller, II	
6,394,302	B1 *	5/2002	Query, Jr.	220/707
D476,193	S *	6/2003	Janky	D7/510
D500,228	S *	12/2004	Rossi	D7/400
D519,783	S *	5/2006	Lambert et al.	D7/510

7,051,895	B2	5/2006	Toussant et al.	
7,178,685	B2 *	2/2007	Hidalgo et al. 220/229
D573,017	S *	7/2008	Henderson D9/436
D580,708	S *	11/2008	George D7/510
D591,101	S *	4/2009	Galante D7/391
D592,505	S *	5/2009	Mobley et al. D9/436
7,644,832	B1 *	1/2010	Tsengas et al. 220/212
7,908,823	B2 *	3/2011	Edmunds 53/287
D649,395	S *	11/2011	Gehring D7/391
2004/0245250	A1 *	12/2004	Hidalgo et al. 220/229
2006/0086744	A1 *	4/2006	Li 220/709
2008/0047962	A1	2/2008	Muriel Salvador	

* cited by examiner

Primary Examiner — Cynthia Underwood

(74) *Attorney, Agent, or Firm* — Lewis Kohn & Fitzwilliam LLP; Timothy W. Fitzwilliam

(57) **CLAIM**

The ornamental design for a beverage prophylactic, as shown and described.

DESCRIPTION

FIG. 1 is a perspective illustration of tile beverage prophylactic applicable to a margarita cocktail glass;

FIG. 2 is a profile view of the beverage prophylactic of the FIG. 1 embodiment;

FIG. 3 is a perspective view of the beverage prophylactic applicable to a wine glass;

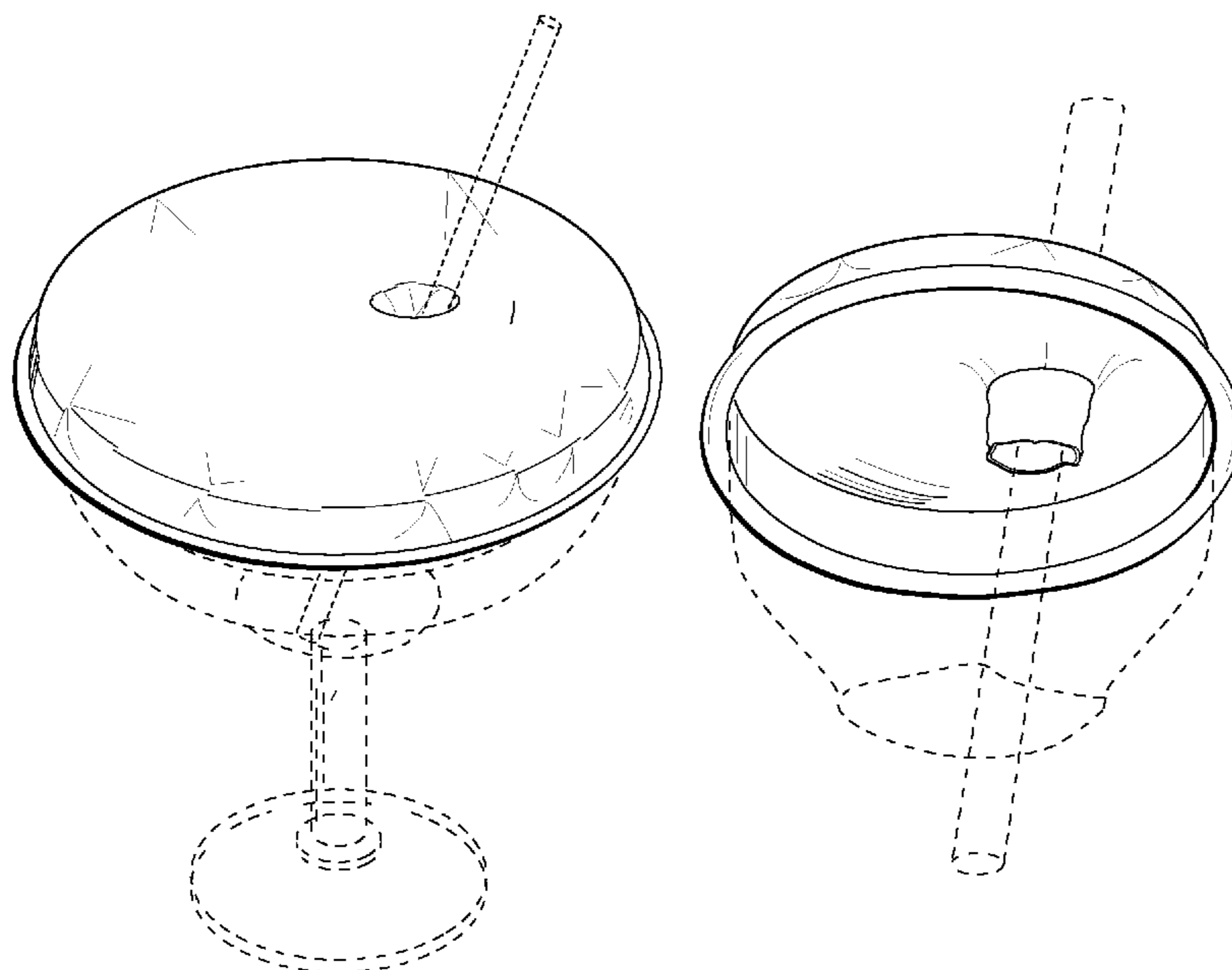
FIG. 4 is a top plan view of the beverage prophylactic illustrated in FIG. 3;

FIG. 5 is a perspective view of the beverage prophylactic applicable to a collins glass; and,

FIG. 6 is an underneath perspective view of the beverage prophylactic applicable to the collins glass.

The broken lines are included to illustrate the item in its environment of use.

1 Claim, 3 Drawing Sheets



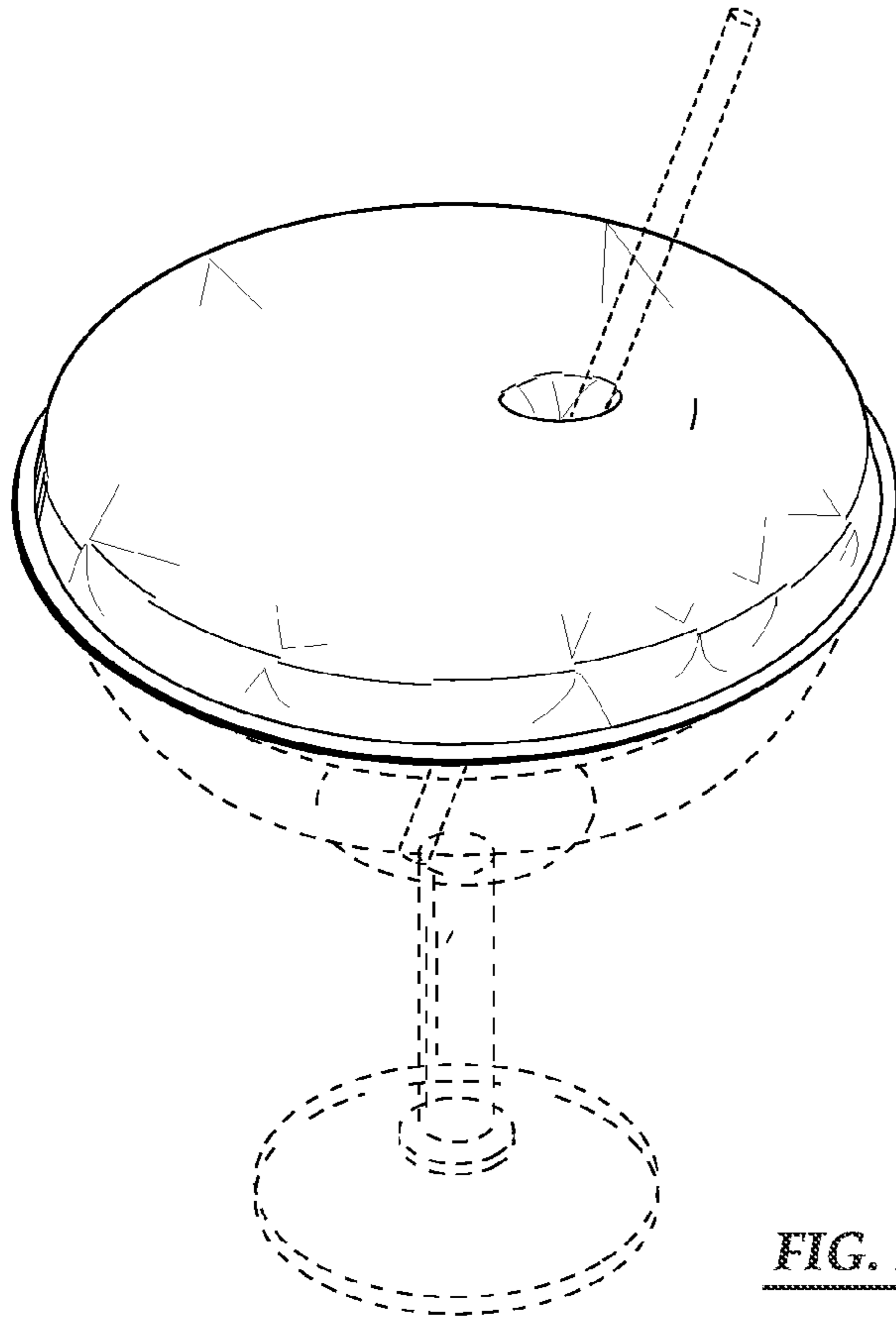


FIG. 1

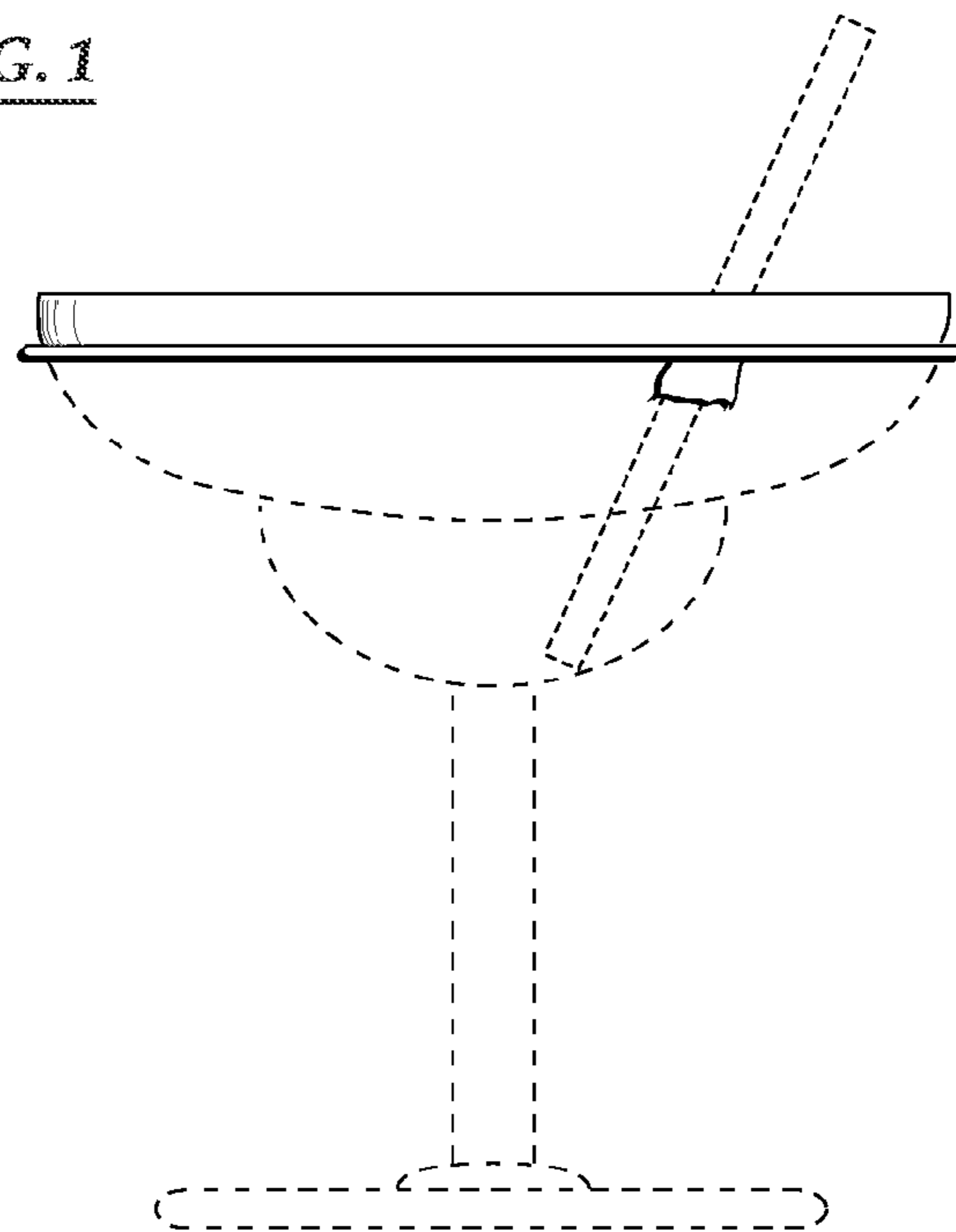


FIG. 2

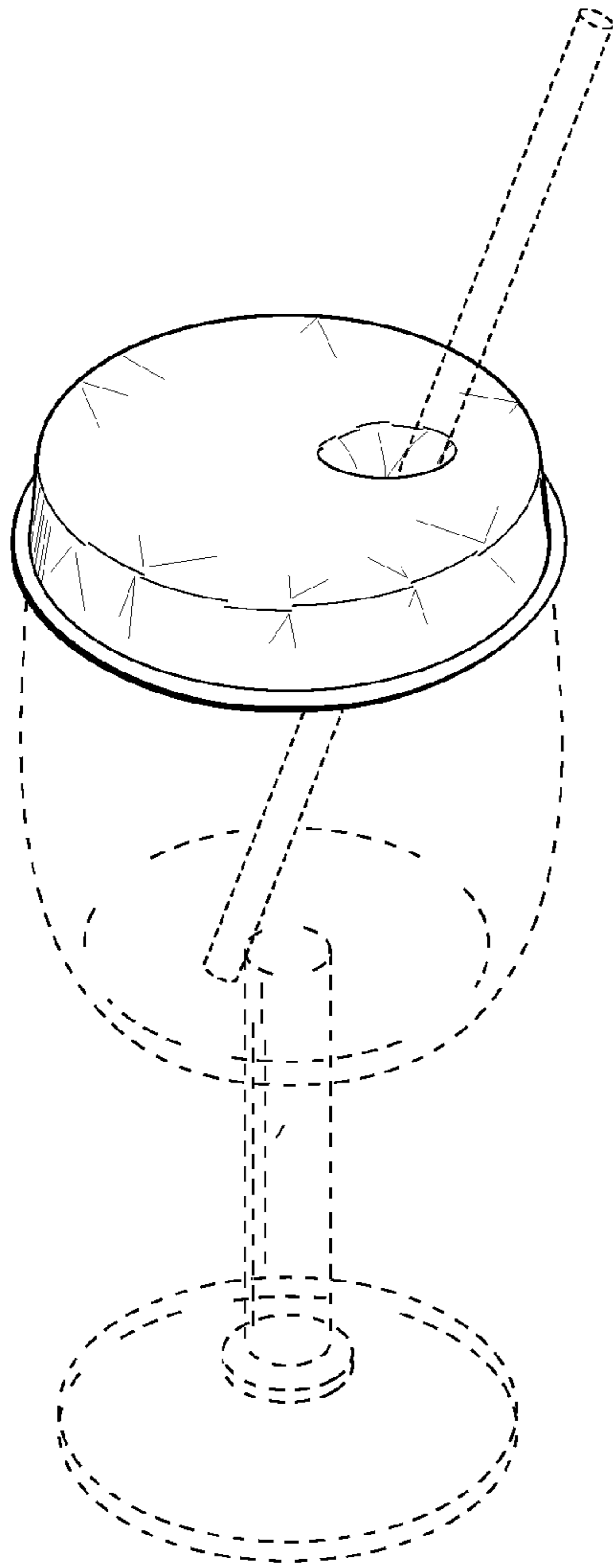


FIG. 3

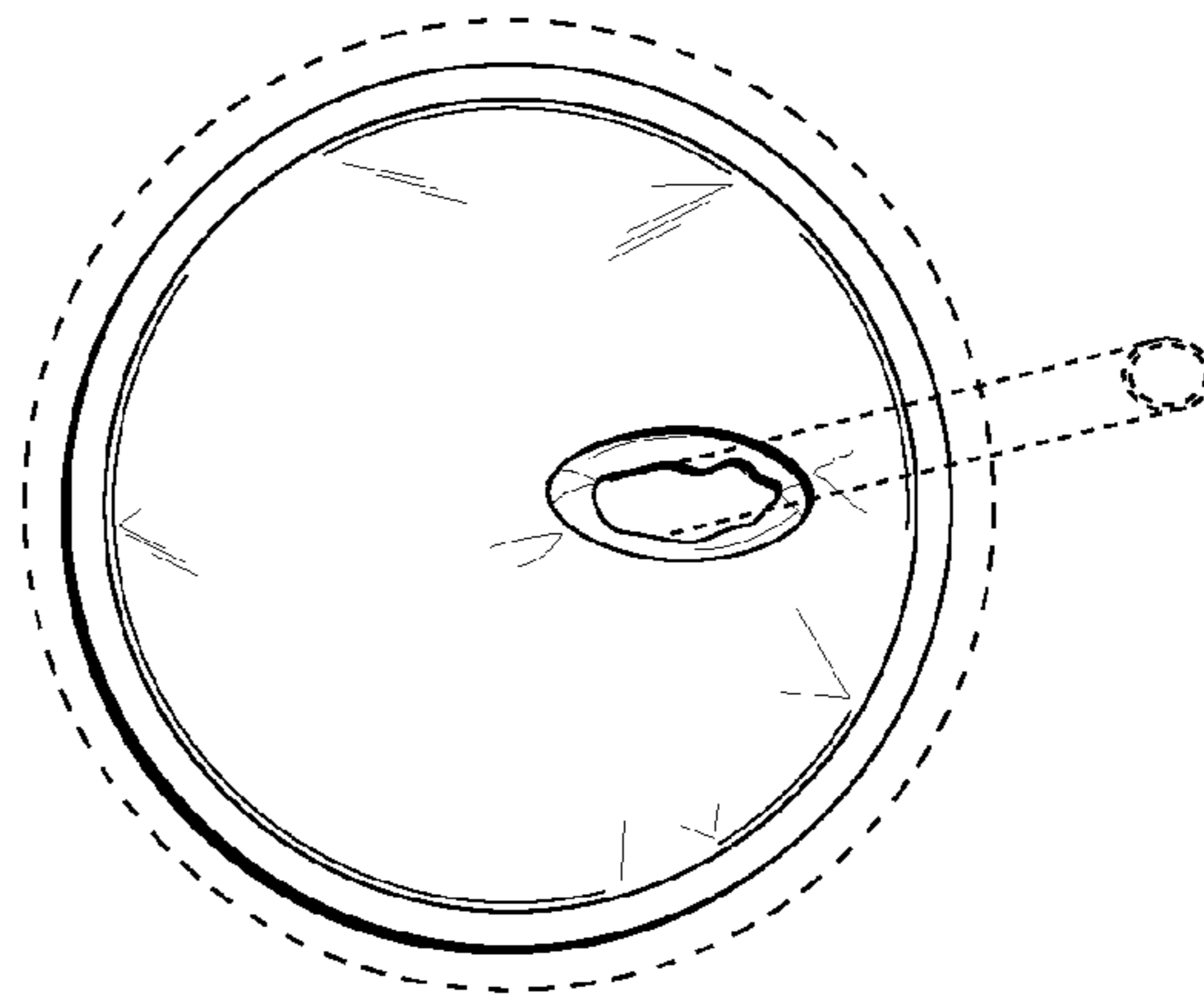


FIG. 4

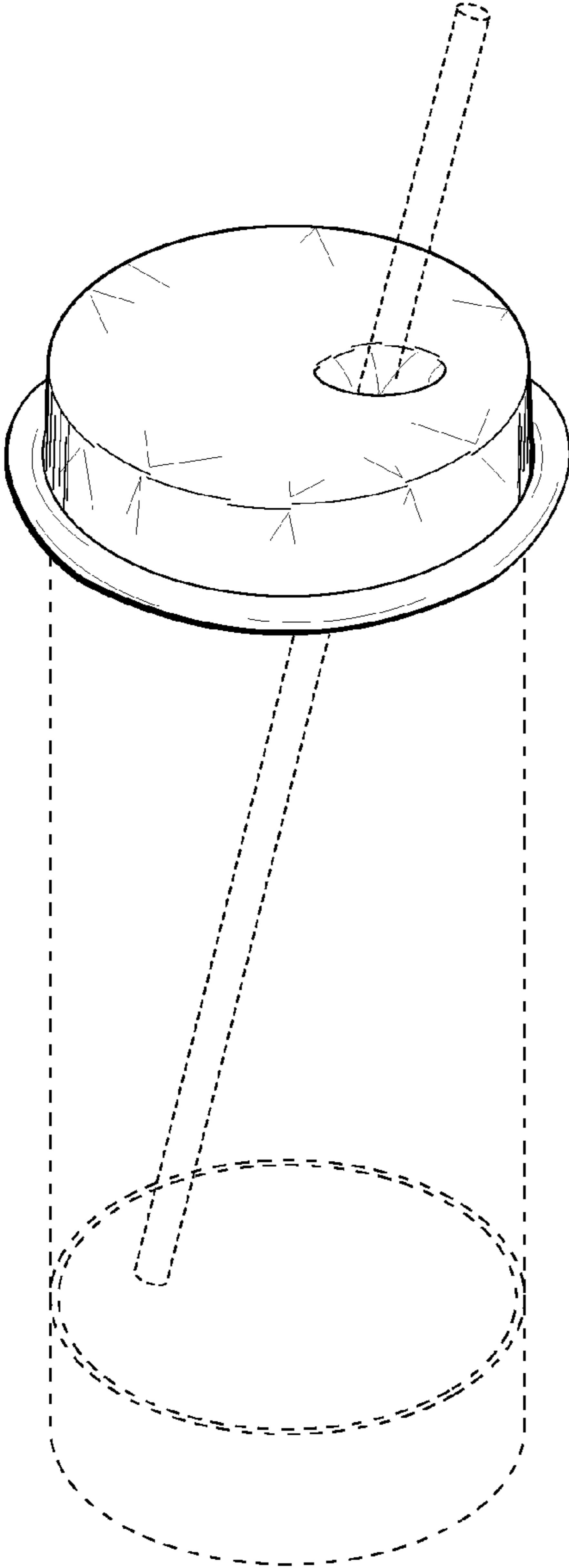


FIG. 5

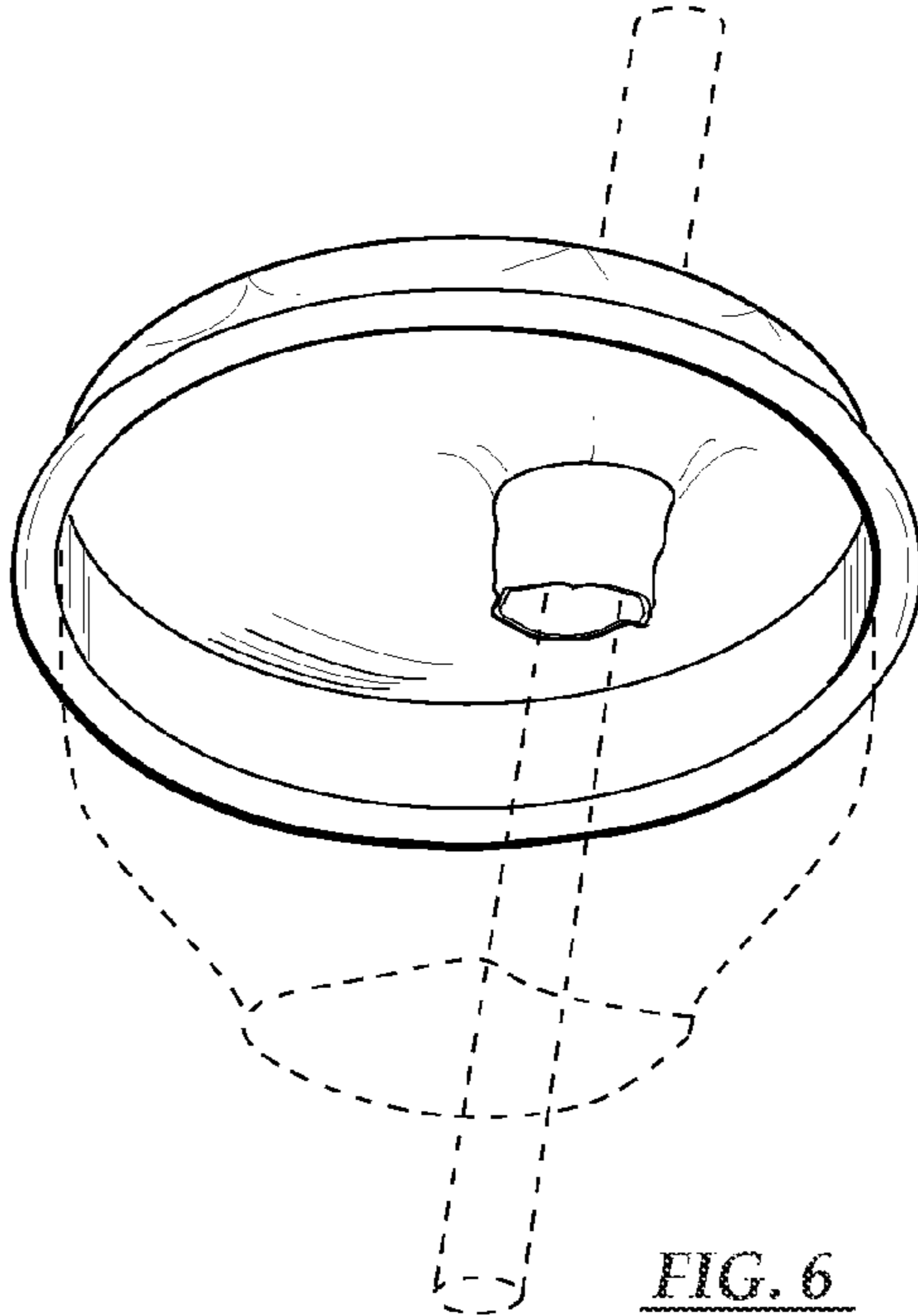


FIG. 6