



US00D663569S

(12) **United States Design Patent**
Seehoff et al.

(10) **Patent No.:** **US D663,569 S**
(45) **Date of Patent:** **** Jul. 17, 2012**

(54) **MICROWAVE CHIP MAKER**

(75) Inventors: **Gary Stanley Seehoff**, Encino, CA
(US); **Huy Kha Nguyen**, Anaheim, CA
(US); **Christopher Anzalone**, Foothill
Ranch, CA (US)

(73) Assignee: **Evriholder Products, LLC**, Anaheim,
CA (US)

(**) Term: **14 Years**

(21) Appl. No.: **29/376,678**

(22) Filed: **Oct. 9, 2010**

(51) **LOC (9) Cl.** **07-02**

(52) **U.S. Cl.** **D7/354**

(58) **Field of Classification Search** D7/323,
D7/329-331, 339, 346-347, 350.1-350.4,
D7/353-367, 391, 393, 395, 402, 406, 538,
D7/542, 629, 665; 99/324-325, 331-332,
99/337-341, 369, 400-418, 422, 425, 444,
99/495; 126/37 R, 261, 374.1, 378.1; 206/501-505,
206/507-508; 219/387, 400, 405, 417, 429-442,
219/452.11, 620-624, 725, 730-735; 220/203.05,
220/203.07, 203.09, 298, 315-316, 573.1-573.5,
220/912; 426/438, 441

See application file for complete search history.

(56) **References Cited**

U.S. PATENT DOCUMENTS

5,097,753	A *	3/1992	Naft	99/341
D344,210	S *	2/1994	Cousins et al.	D7/538
D353,303	S *	12/1994	Davis	D7/542
5,865,109	A *	2/1999	Bull	99/495
5,904,090	A *	5/1999	Lillelund et al.	99/495
6,196,115	B1 *	3/2001	Tsao	99/339
6,840,159	B1 *	1/2005	Li	99/337
D571,155	S *	6/2008	Plante et al.	D7/542
D575,114	S *	8/2008	Moghavem	D7/629
D625,149	S *	10/2010	Stamper	D7/538
D629,264	S *	12/2010	Curtin	D7/665
D641,200	S *	7/2011	Lion et al.	D7/356
D655,566	S *	3/2012	Sapire	D7/354

* cited by examiner

Primary Examiner — Ricky Pham

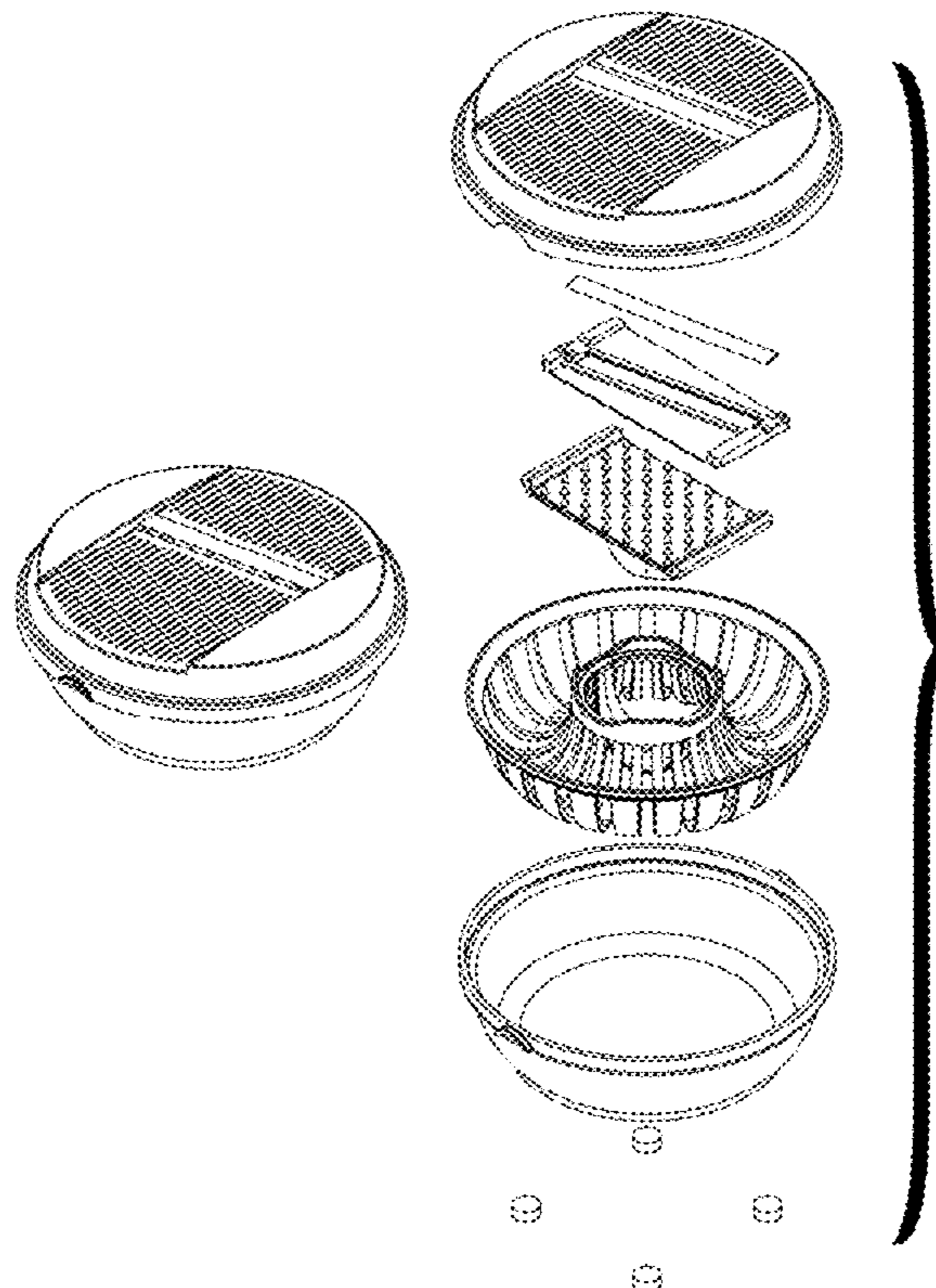
(57) **CLAIM**

The ornamental design for a microwave chip maker, as shown and described.

DESCRIPTION

FIG. 1 illustrates a top view of the claimed design for a microwave chip maker;
FIG. 2 illustrates a front view thereof;
FIG. 3 illustrates a right-side view thereof;
FIG. 4 illustrates a left-side view thereof;
FIG. 5 illustrates a rear view thereof;
FIG. 6 illustrates a bottom view thereof;
FIG. 7 illustrates a cross-sectional view thereof;
FIG. 8 illustrates a perspective view thereof; and,
FIG. 9 illustrates an exploded view thereof.

1 Claim, 9 Drawing Sheets



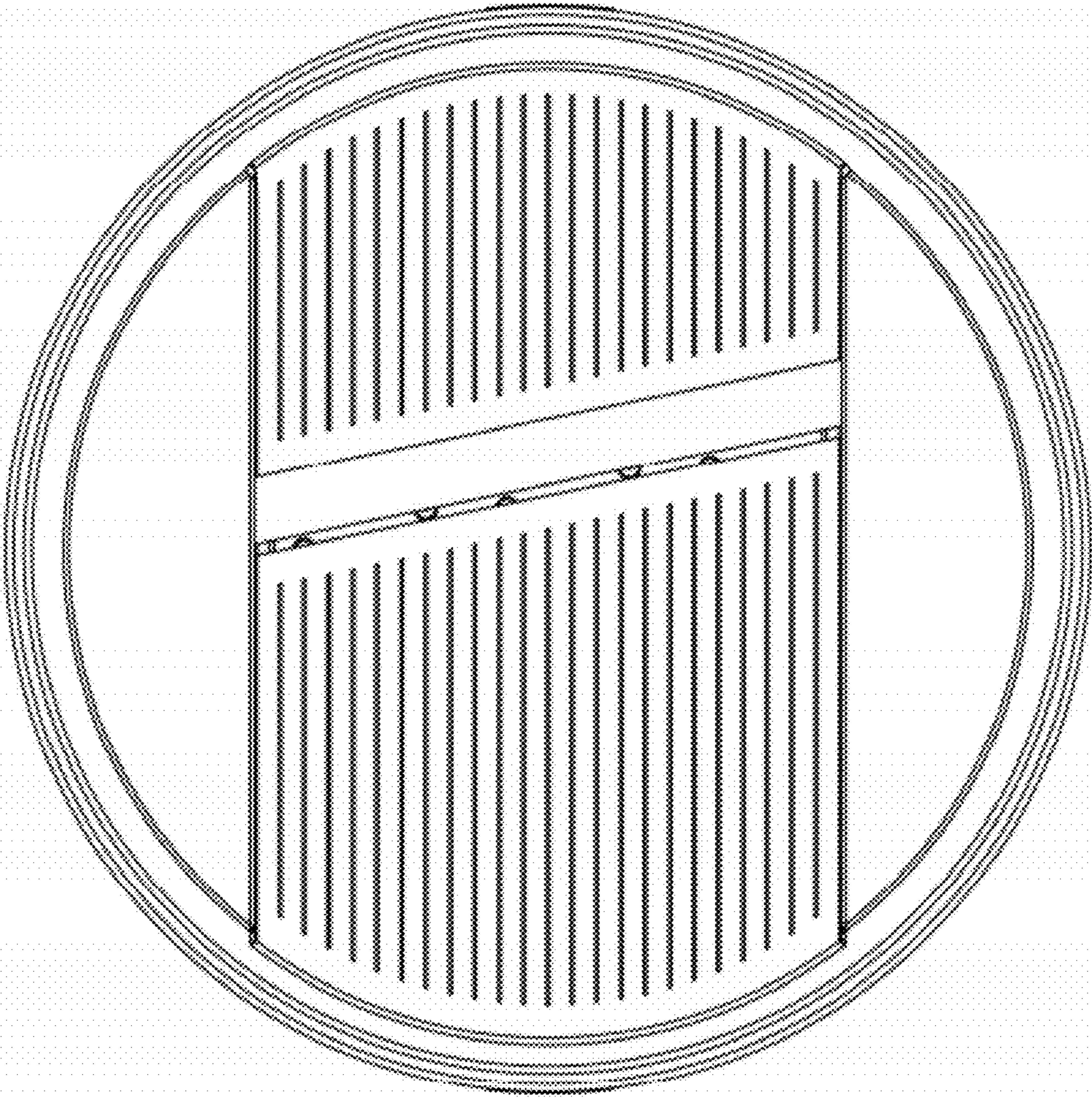


FIG. 1

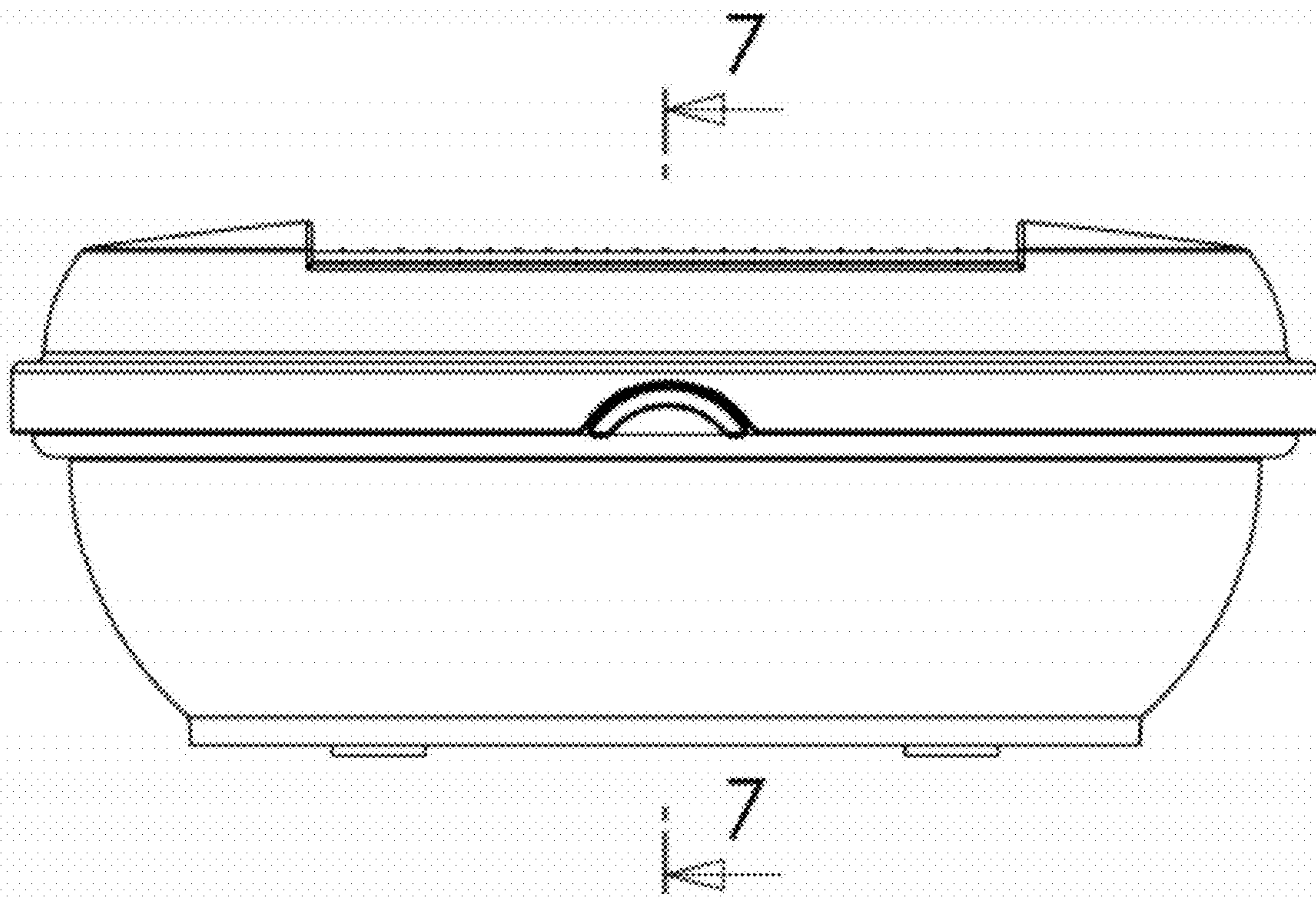


FIG. 2

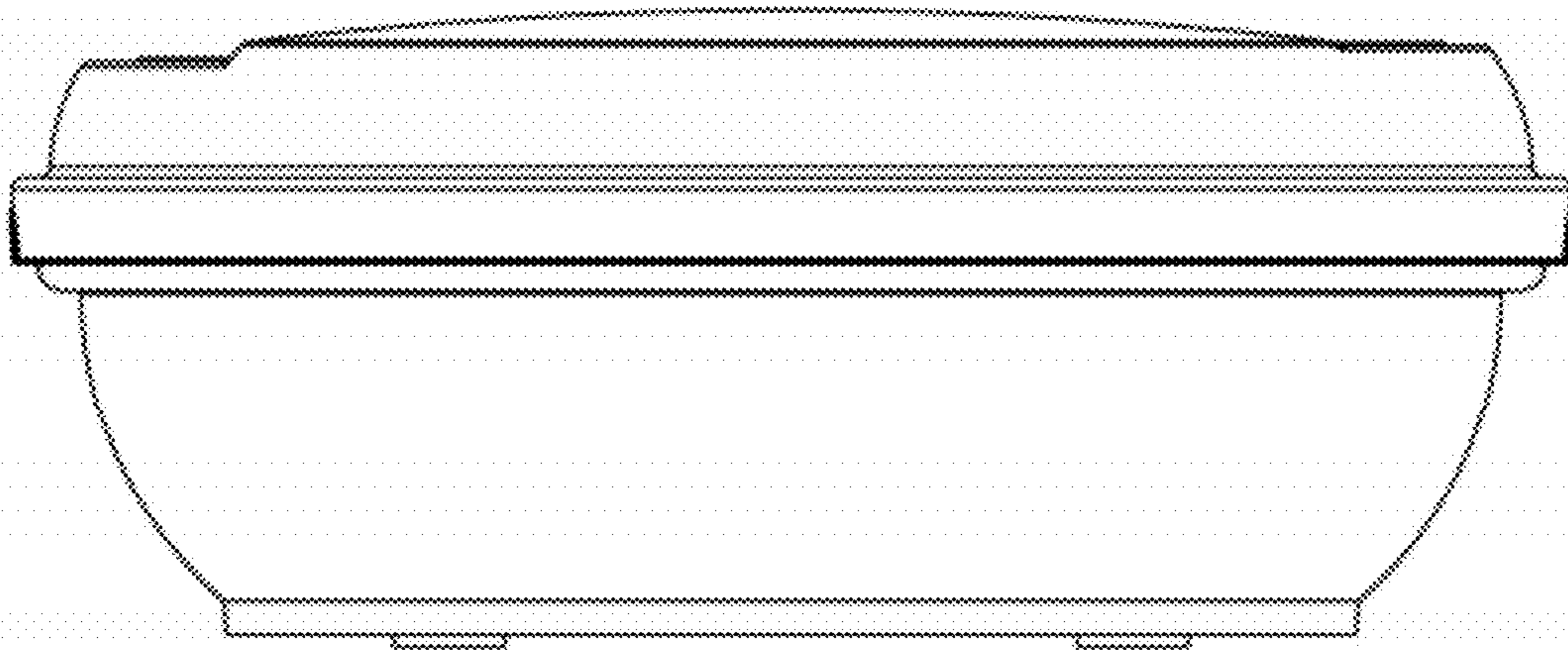


FIG. 3

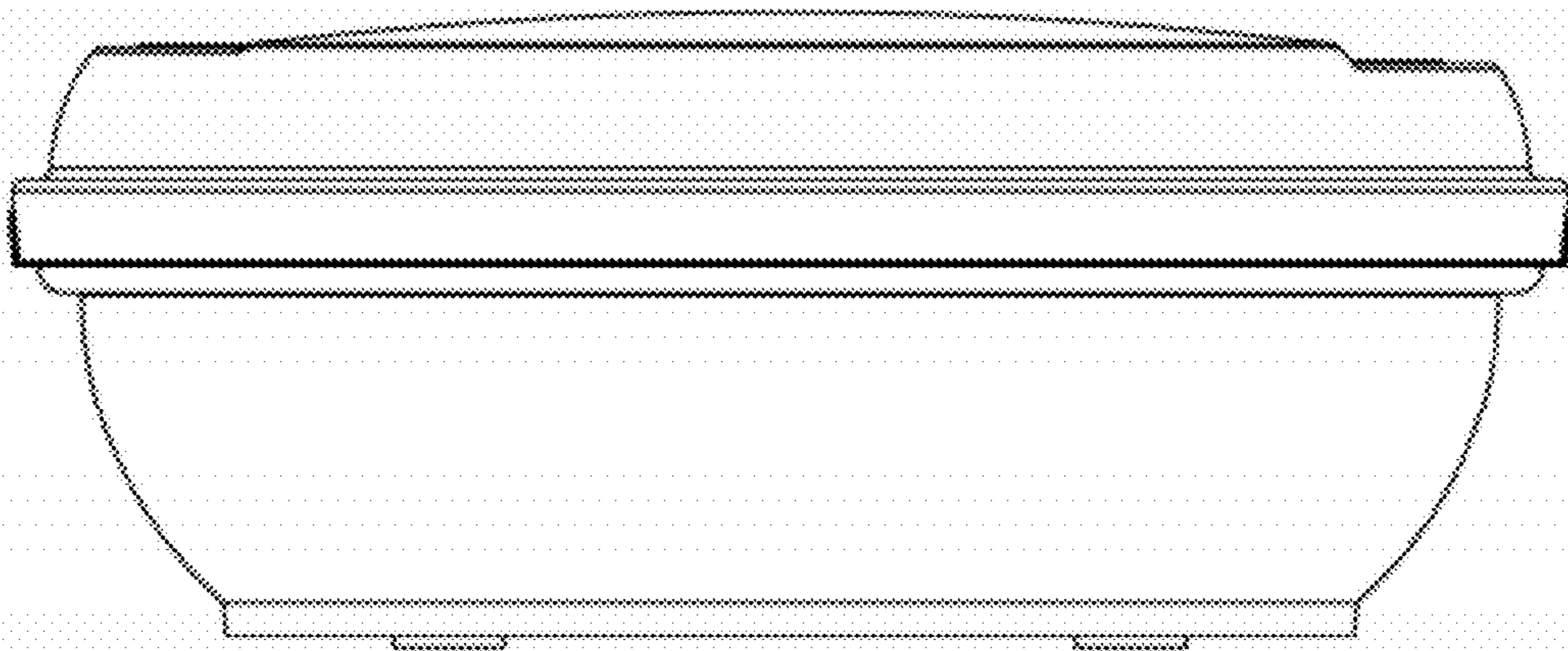


FIG. 4

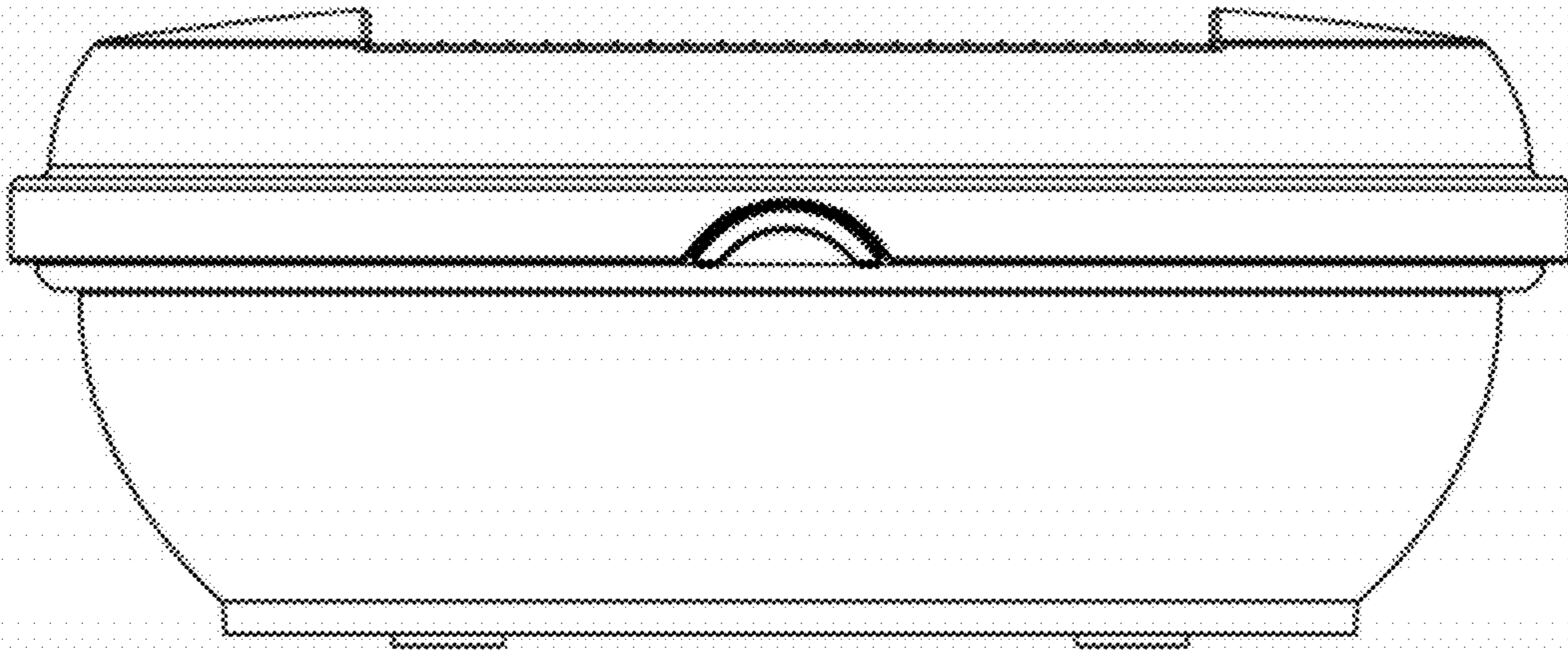


FIG. 5

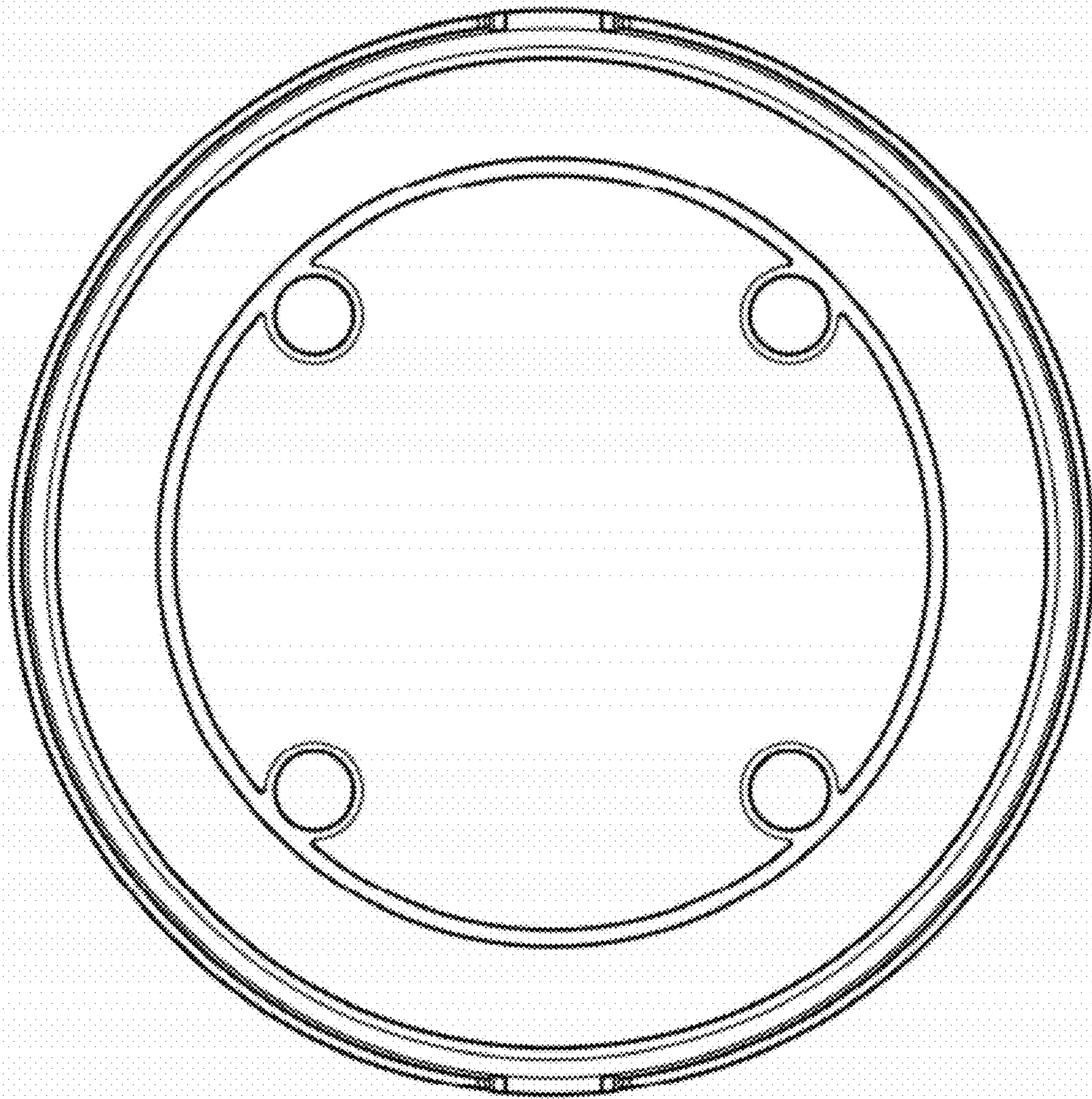


FIG. 6

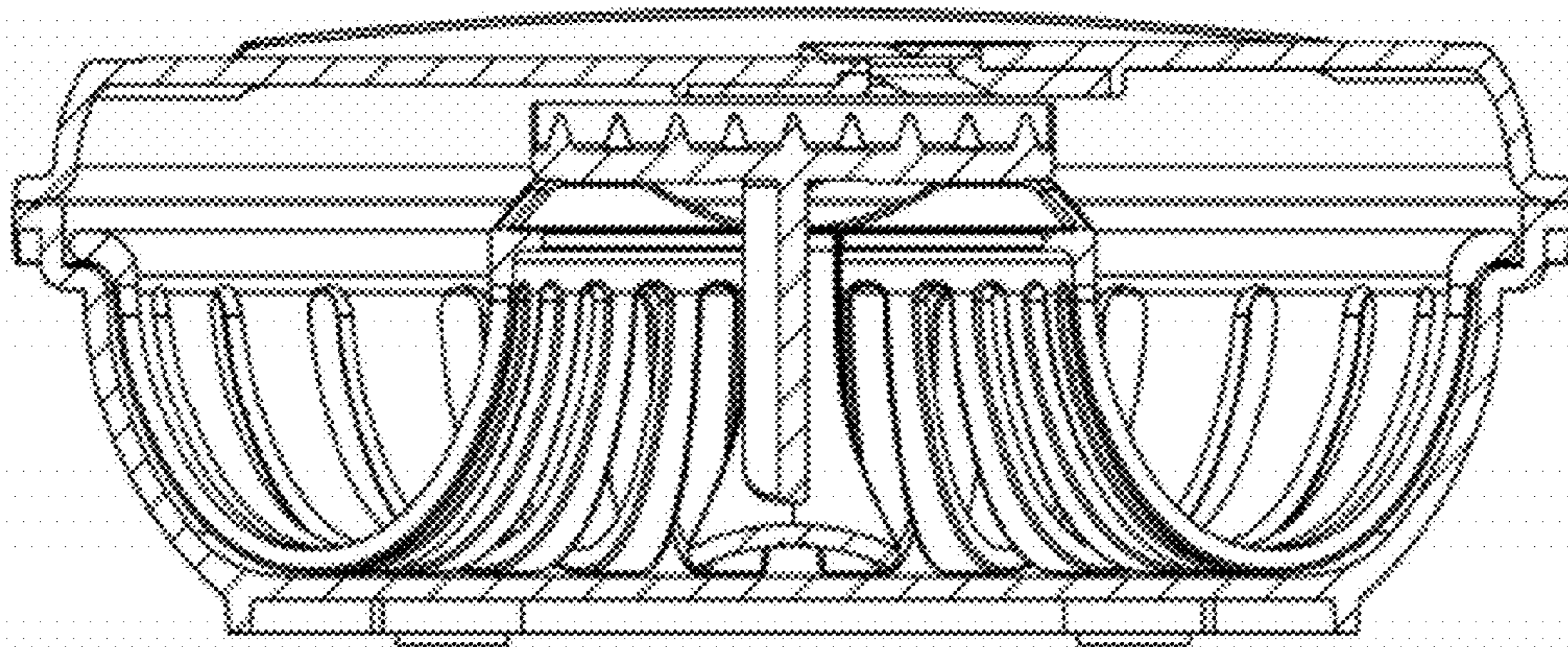


FIG. 7

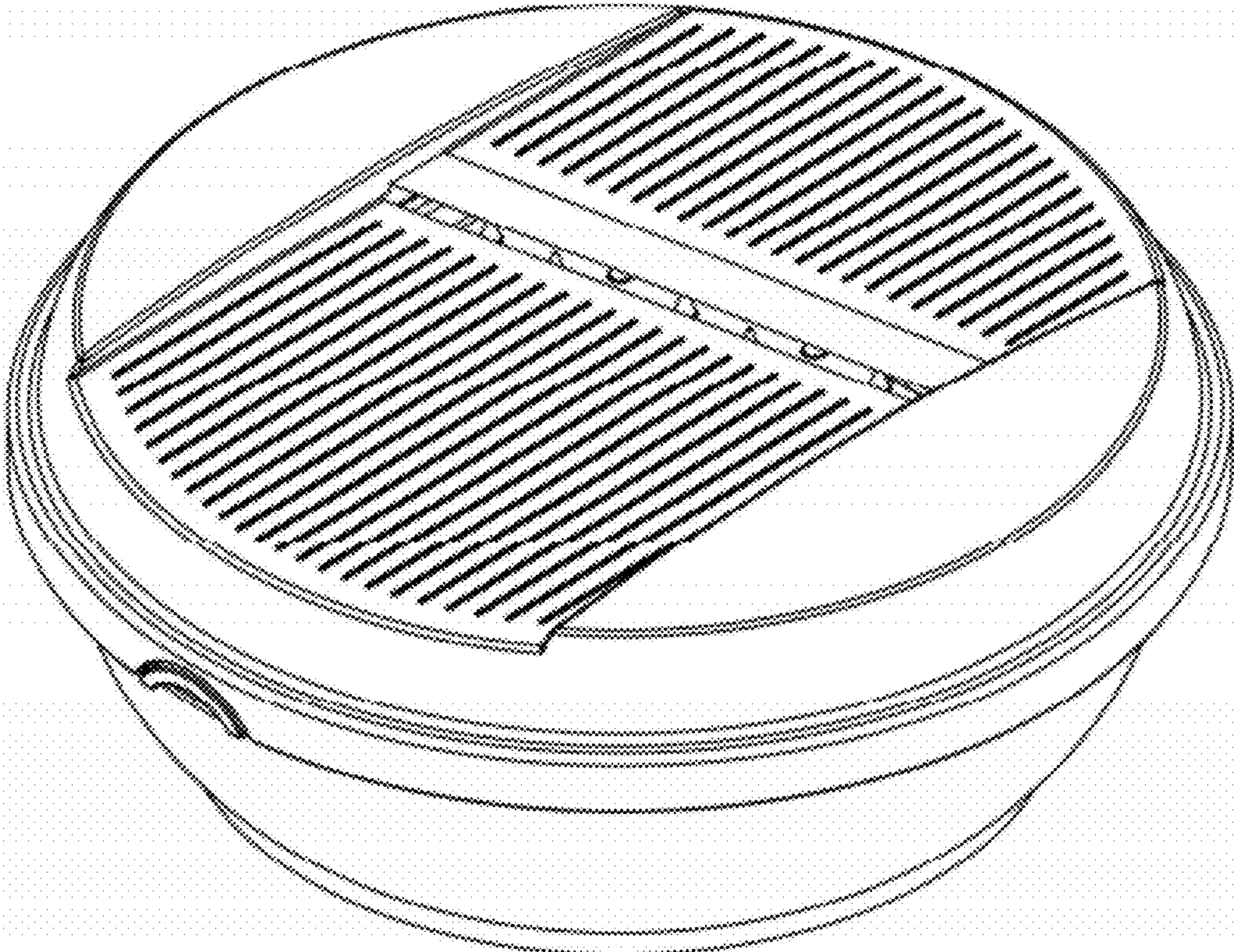


FIG. 8

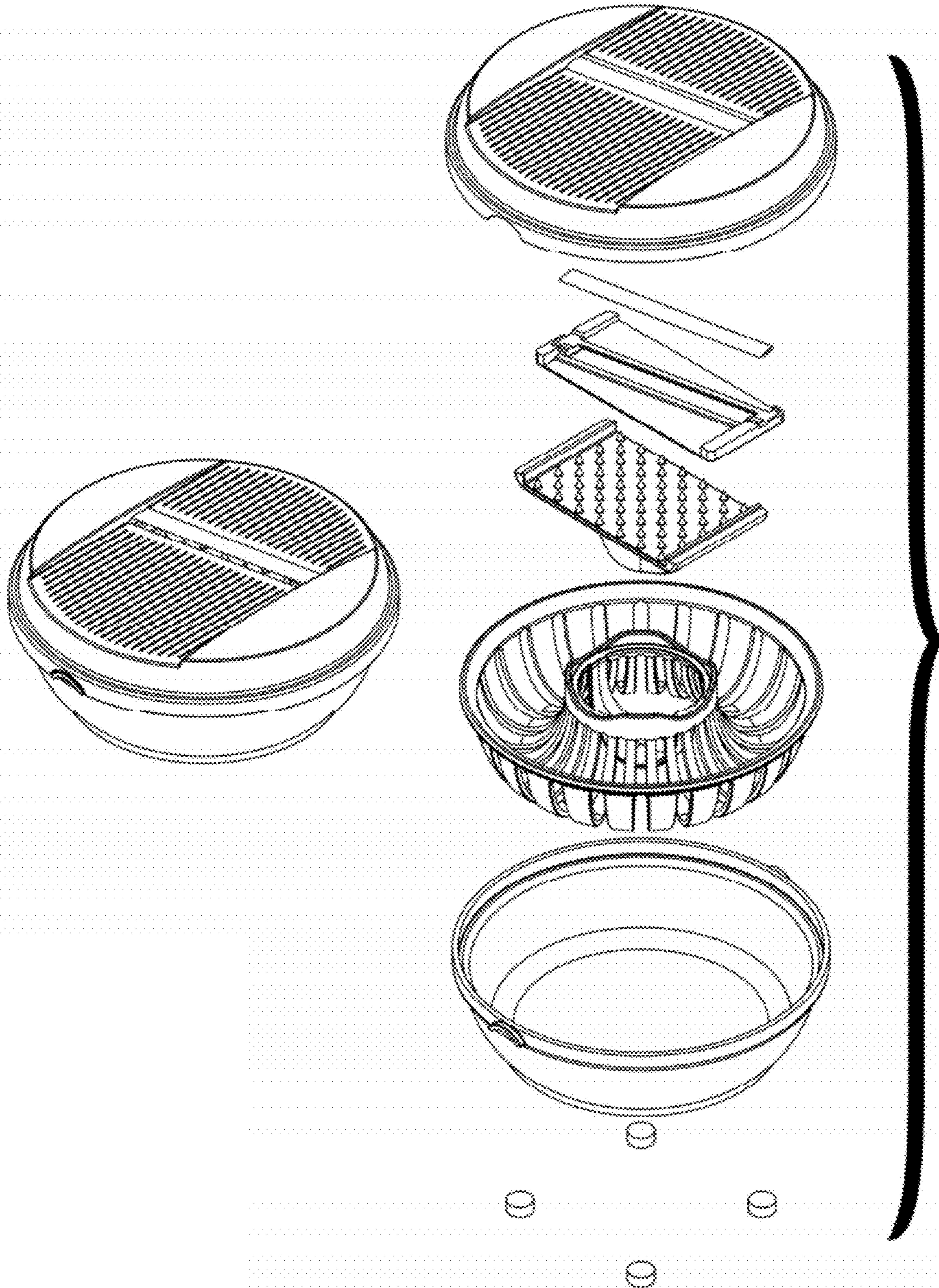


FIG. 9