

US00D663567S

(12) **United States Design Patent**
Littmann et al.

(10) **Patent No.:** **US D663,567 S**

(45) **Date of Patent:** **** Jul. 17, 2012**

(54) **KETTLE**

(75) Inventors: **Ludwig Littmann**, Kronberg (DE);
Markus Orthey, Mainz (DE)

(73) Assignee: **Braun GmbH**, Cincinnati, OH (US)

(**) Term: **14 Years**

(21) Appl. No.: **29/383,405**

(22) Filed: **Jan. 18, 2011**

(51) **LOC (9) Cl.** **07-01**

(52) **U.S. Cl.** **D7/318; D7/317**

(58) **Field of Classification Search** D7/600,
D7/589, 317, 318, 319; 215/12.1, 396; 222/131,
222/465.1, 478; 99/306

See application file for complete search history.

(56) **References Cited**

U.S. PATENT DOCUMENTS

D416,163 S	*	11/1999	Doritty et al.	D7/319
D418,714 S	*	1/2000	Fox et al.	D7/319
D427,478 S	*	7/2000	Littmann et al.	D7/318
D463,706 S	*	10/2002	Lecerf	D7/317
D480,255 S	*	10/2003	Lecerf	D7/319
D583,612 S	*	12/2008	Wu et al.	D7/317

D584,912 S	*	1/2009	Green et al.	D7/318
D586,605 S	*	2/2009	Ma et al.	D7/317
D586,606 S	*	2/2009	Ma et al.	D7/319
D626,777 S	*	11/2010	Bell et al.	D7/319
D626,779 S	*	11/2010	Bell et al.	D7/319
D630,463 S	*	1/2011	Picozza et al.	D7/318

* cited by examiner

Primary Examiner — Marianne Pandozzi

(74) *Attorney, Agent, or Firm* — Kim William Zerby; David Mattheis

(57) **CLAIM**

The ornamental design for a kettle, as shown and described.

DESCRIPTION

FIG. 1 is a perspective view of a kettle showing our new design;

FIG. 2 is a front view thereof;

FIG. 3 is a right side view thereof;

FIG. 4 is a rear view thereof;

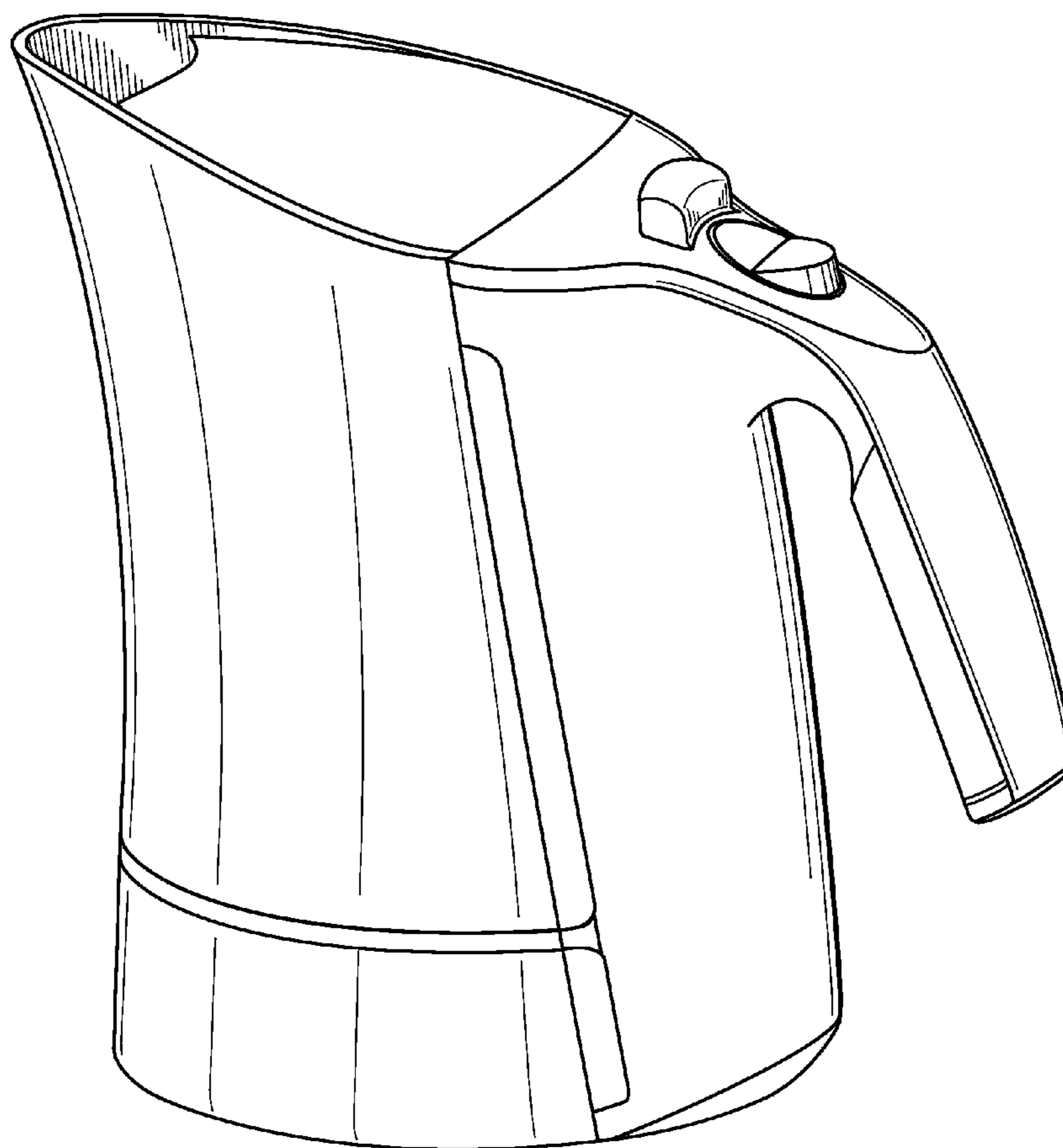
FIG. 5 is a left side view thereof;

FIG. 6 is a top plan view thereof; and,

FIG. 7 is a bottom view thereof.

The broken lines in the drawings are included for the purpose of illustration and form no part of the claimed design.

1 Claim, 6 Drawing Sheets



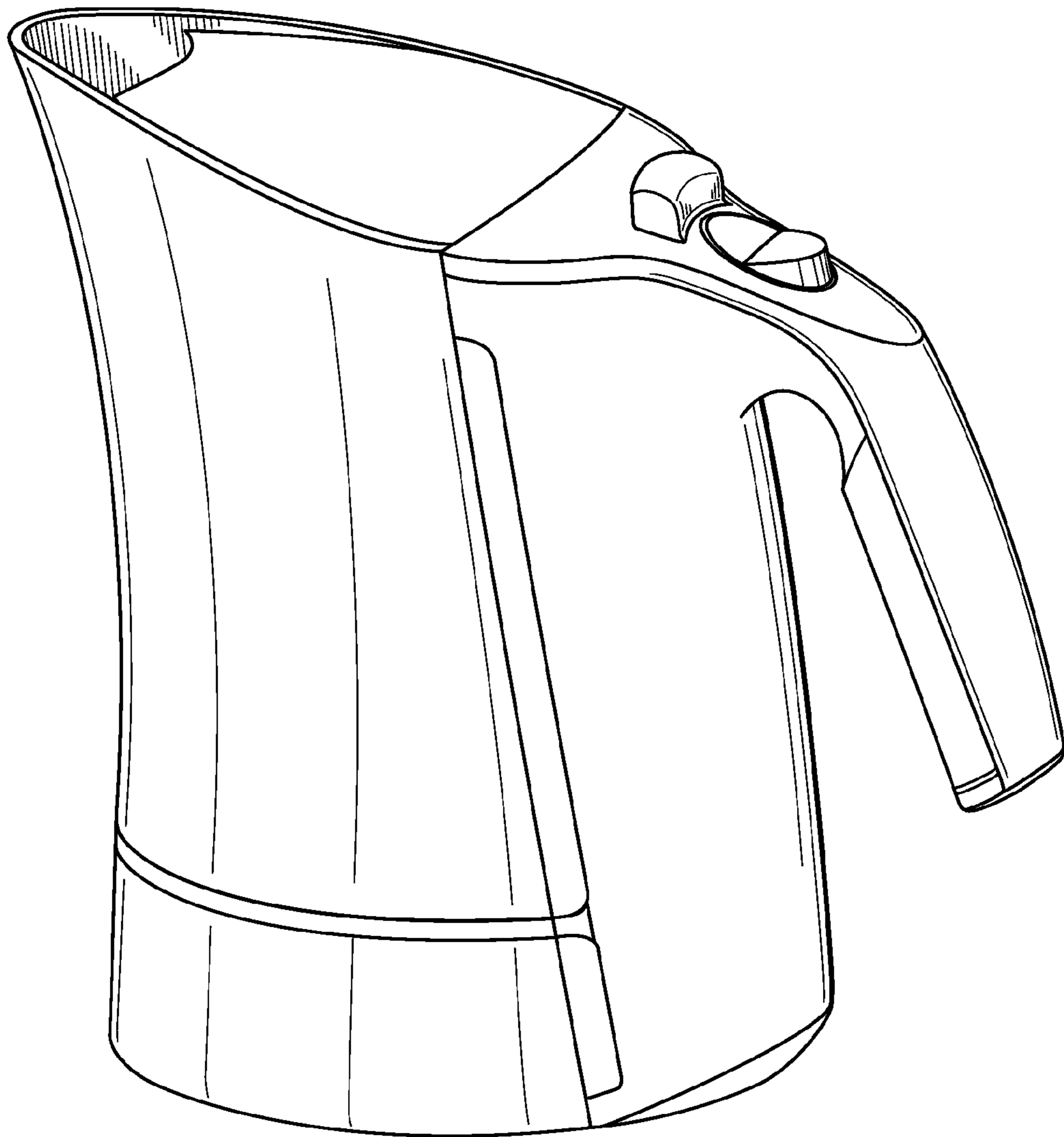


Fig. 1

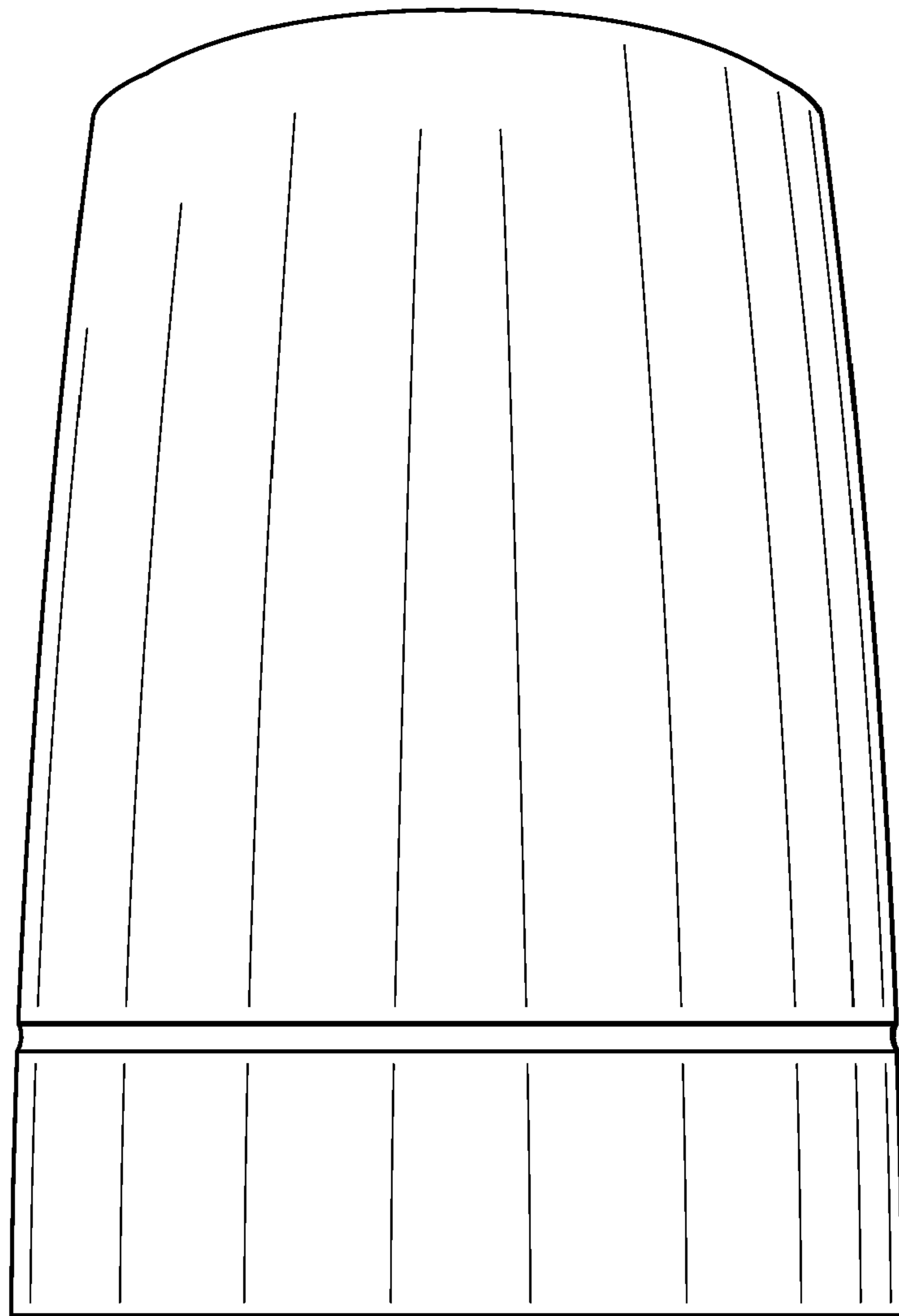


Fig. 2

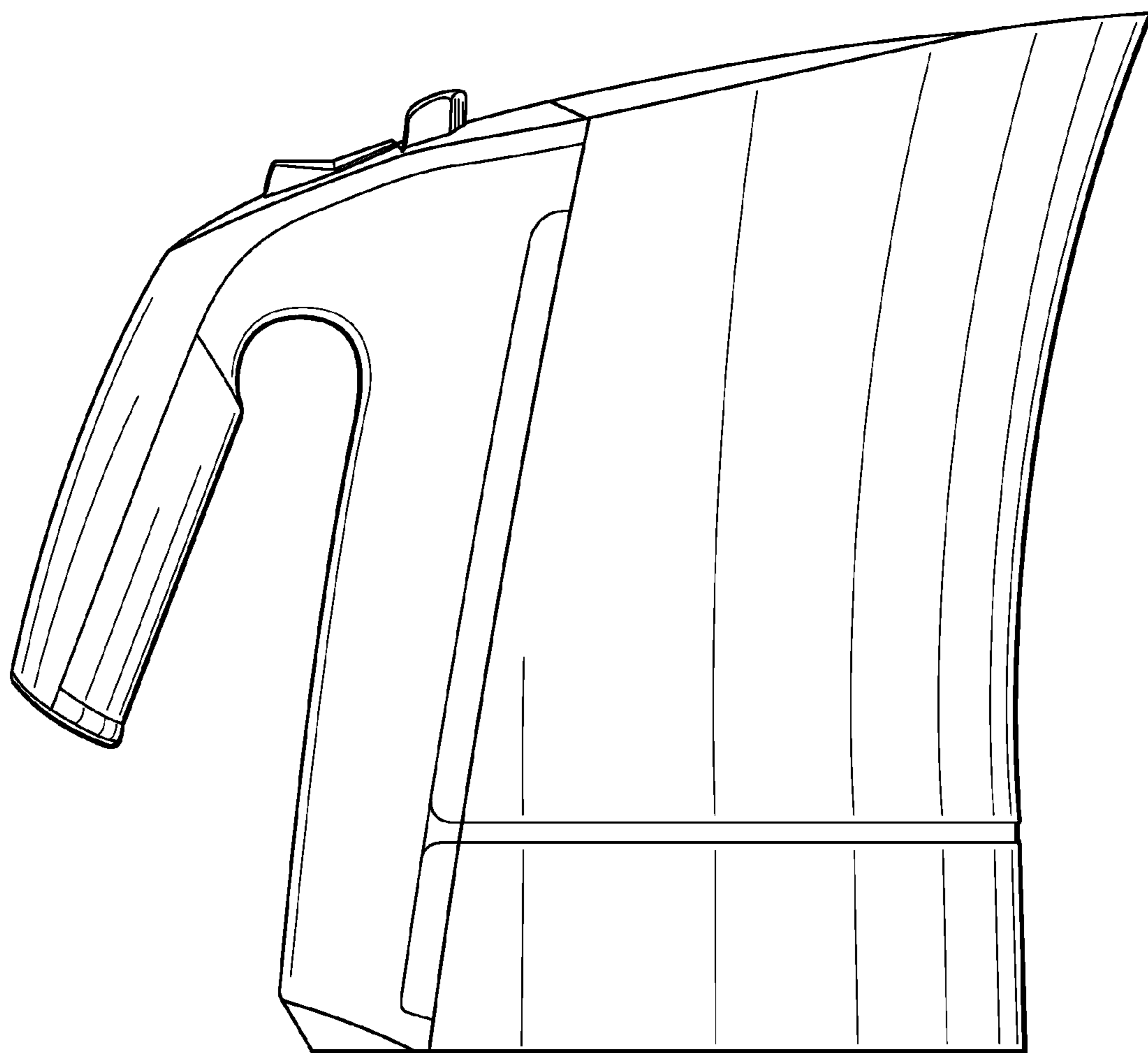


Fig. 3

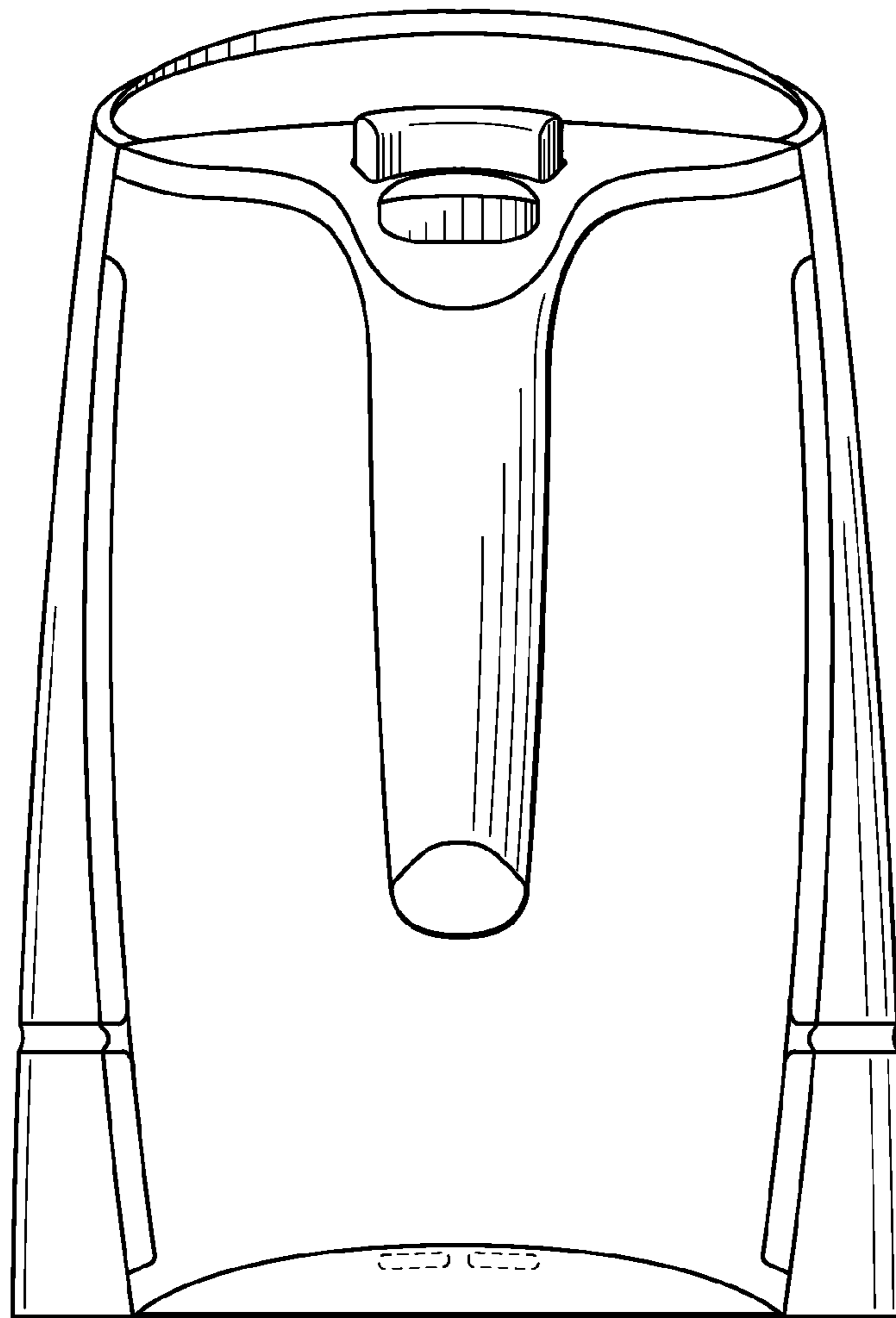


Fig. 4

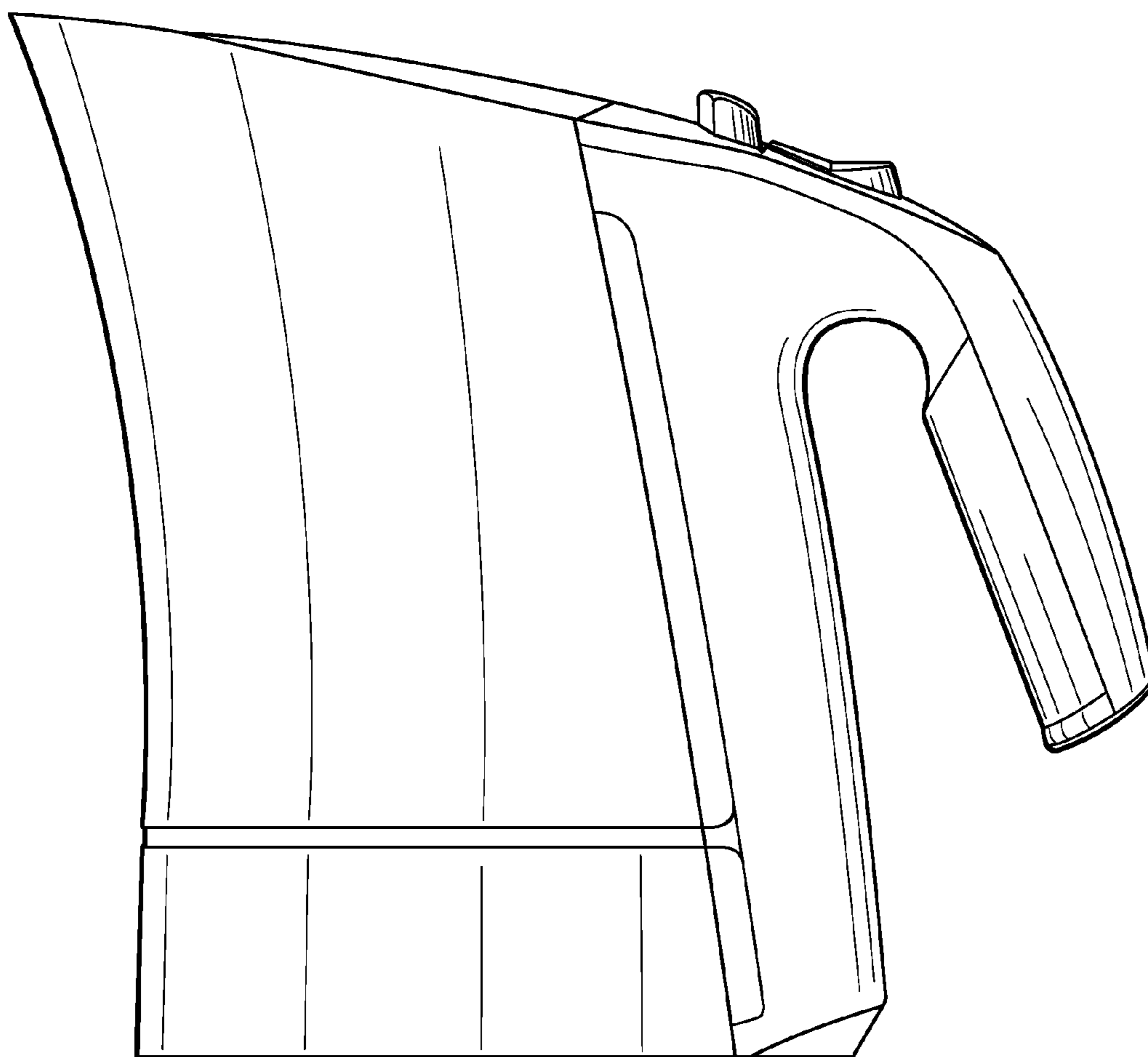


Fig. 5

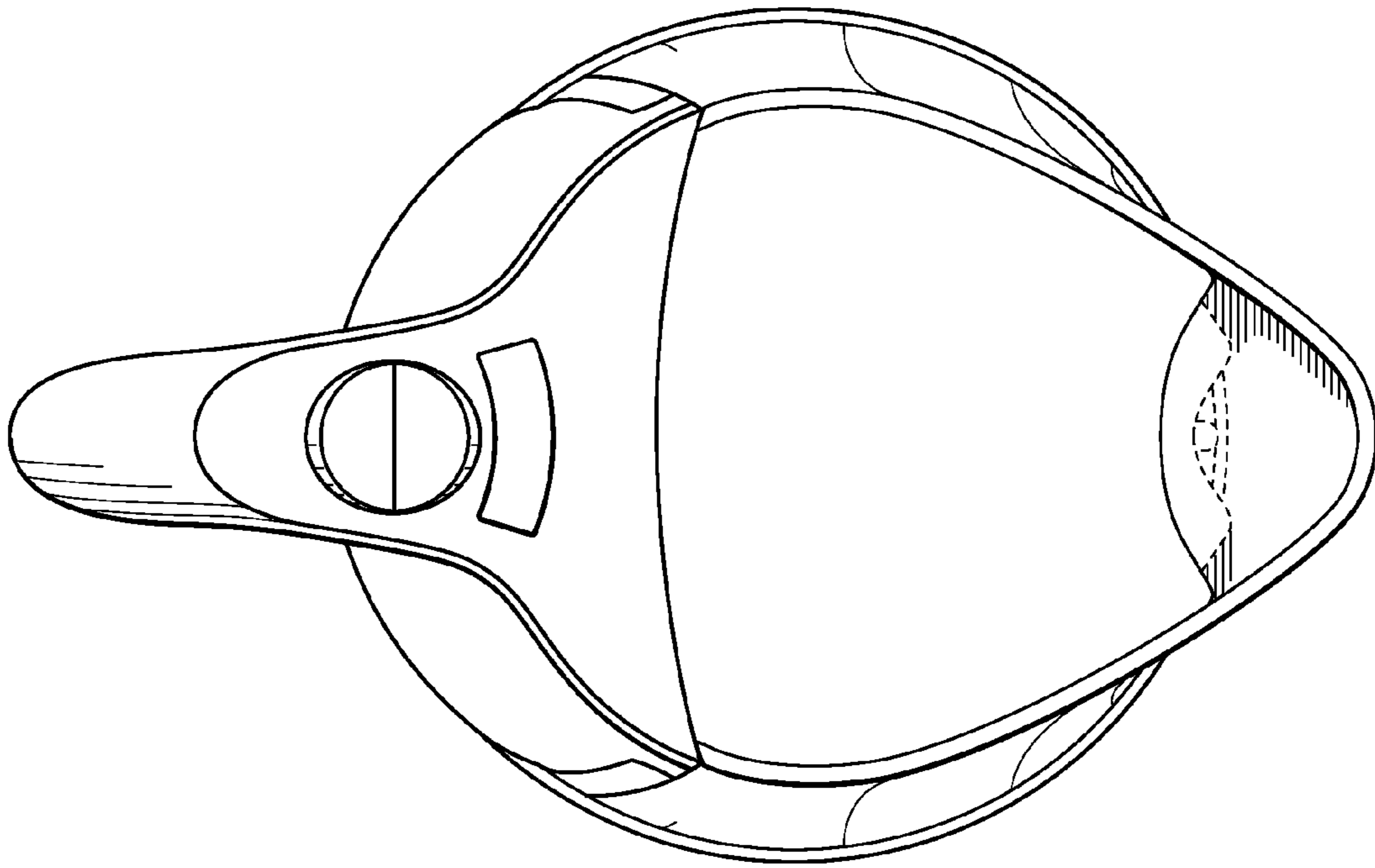


Fig. 6

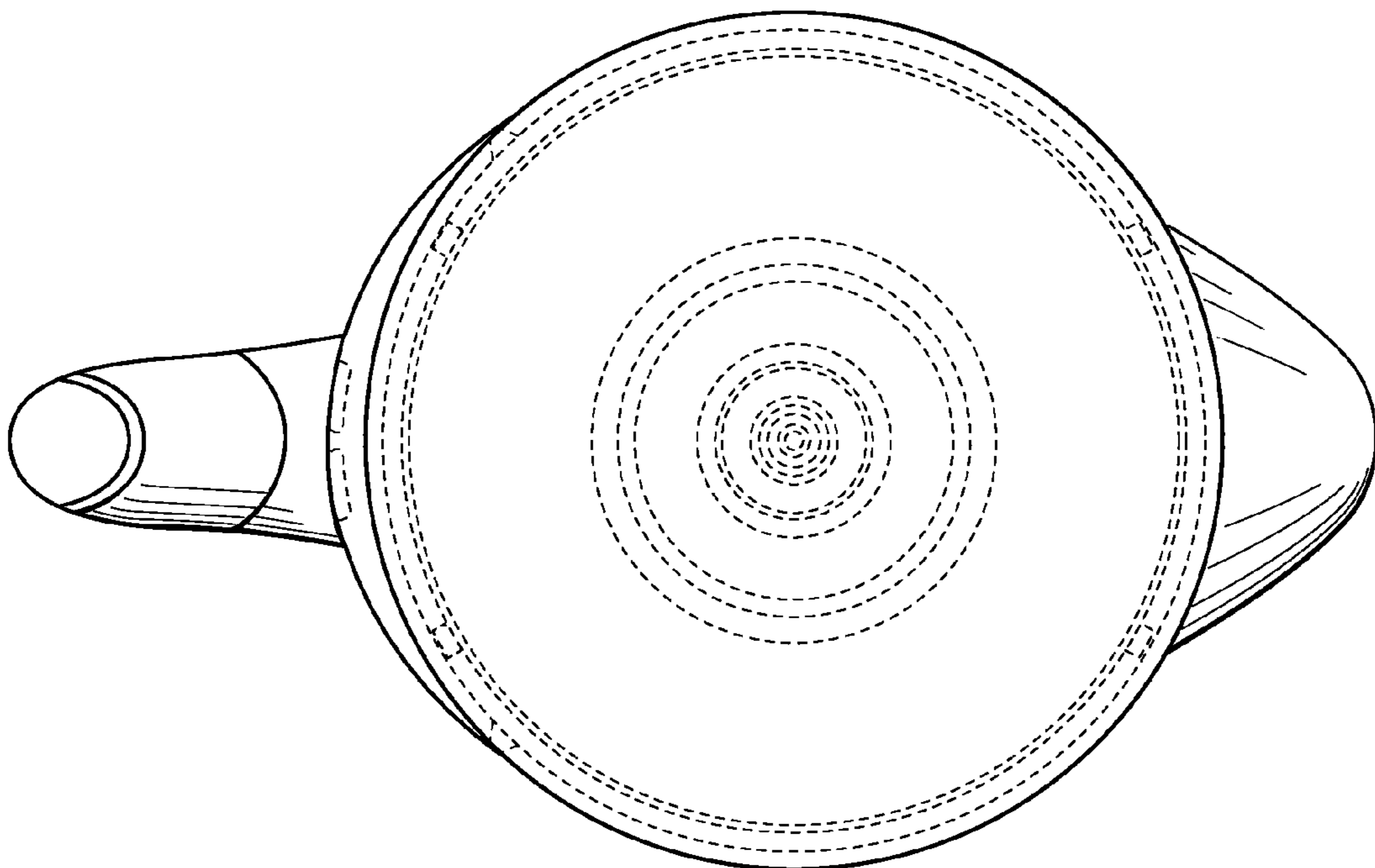


Fig. 7