



US00D663561S

(12) **United States Design Patent**
Rosaen

(10) **Patent No.:** **US D663,561 S**
(45) **Date of Patent:** **** Jul. 17, 2012**

(54) **ROLLER APPARATUS**

D364,062 S * 11/1995 Garcia D6/541
6,247,618 B1 6/2001 Liberatore

(76) Inventor: **Lars Rosaen**, Plymouth, MI (US)

* cited by examiner

(**) Term: **14 Years**

Primary Examiner — Brian N Vinson

(21) Appl. No.: **29/389,781**

(74) *Attorney, Agent, or Firm* — Gifford, Krass, Sprinkle,
Anderson & Citkowski, P.C.

(22) Filed: **Apr. 15, 2011**

(57) **CLAIM**

I claim the ornamental design for a roller apparatus, as shown
and described.

(51) **LOC (9) Cl.** **23-02**

(52) **U.S. Cl.** **D6/541**

DESCRIPTION

(58) **Field of Classification Search** D6/541;
211/13.1; 222/101, 102, 103, 95, 96, 97,
222/98, 99; 248/108

FIG. 1 is a perspective view of a roller apparatus according to
the design;

FIG. 2 is a planar view of one side of the roller apparatus
according to the design;

FIG. 3 is a planar view of the opposite side of the design for
the roller apparatus;

FIG. 4 is a planar view of one end of the design for the roller
apparatus; and,

FIG. 5 is a planar view of the opposite end of the design for the
roller apparatus.

See application file for complete search history.

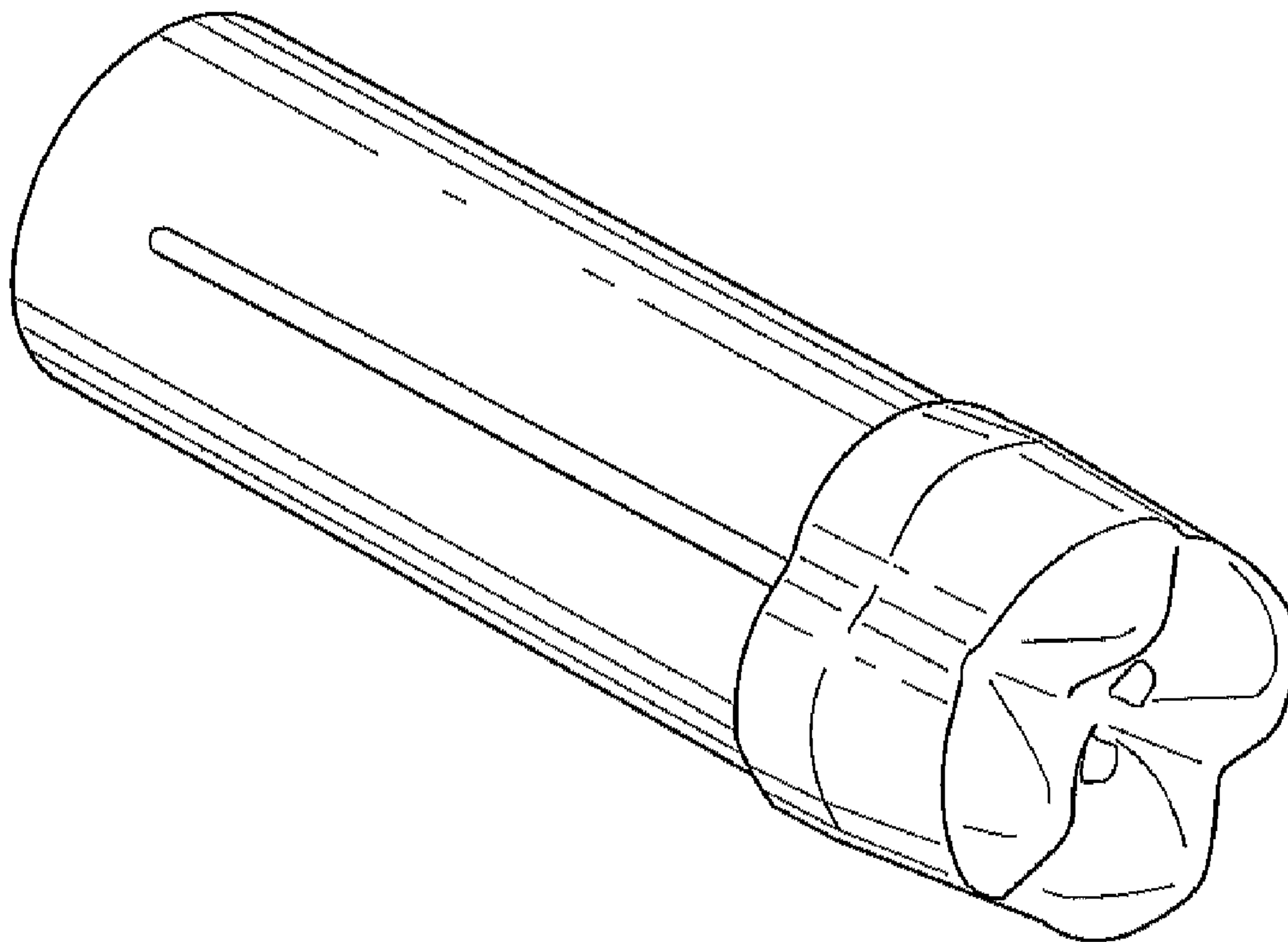
The broken-line disclosure in the views is understood to
represent a portion of the article in which the claimed design
is embodied, but which forms no part of the claimed design.

(56) **References Cited**

U.S. PATENT DOCUMENTS

1,770,946	A	7/1930	Rostiser	
2,531,060	A	11/1950	Krueger	
D274,772	S	* 7/1984	Obland D6/541
D317,689	S	* 6/1991	Curtis D6/541
D331,364	S	* 12/1992	Barker et al. D6/541
D351,521	S	* 10/1994	Knight, III D6/541
D351,961	S	* 11/1994	Bergamo D6/541

1 Claim, 1 Drawing Sheet



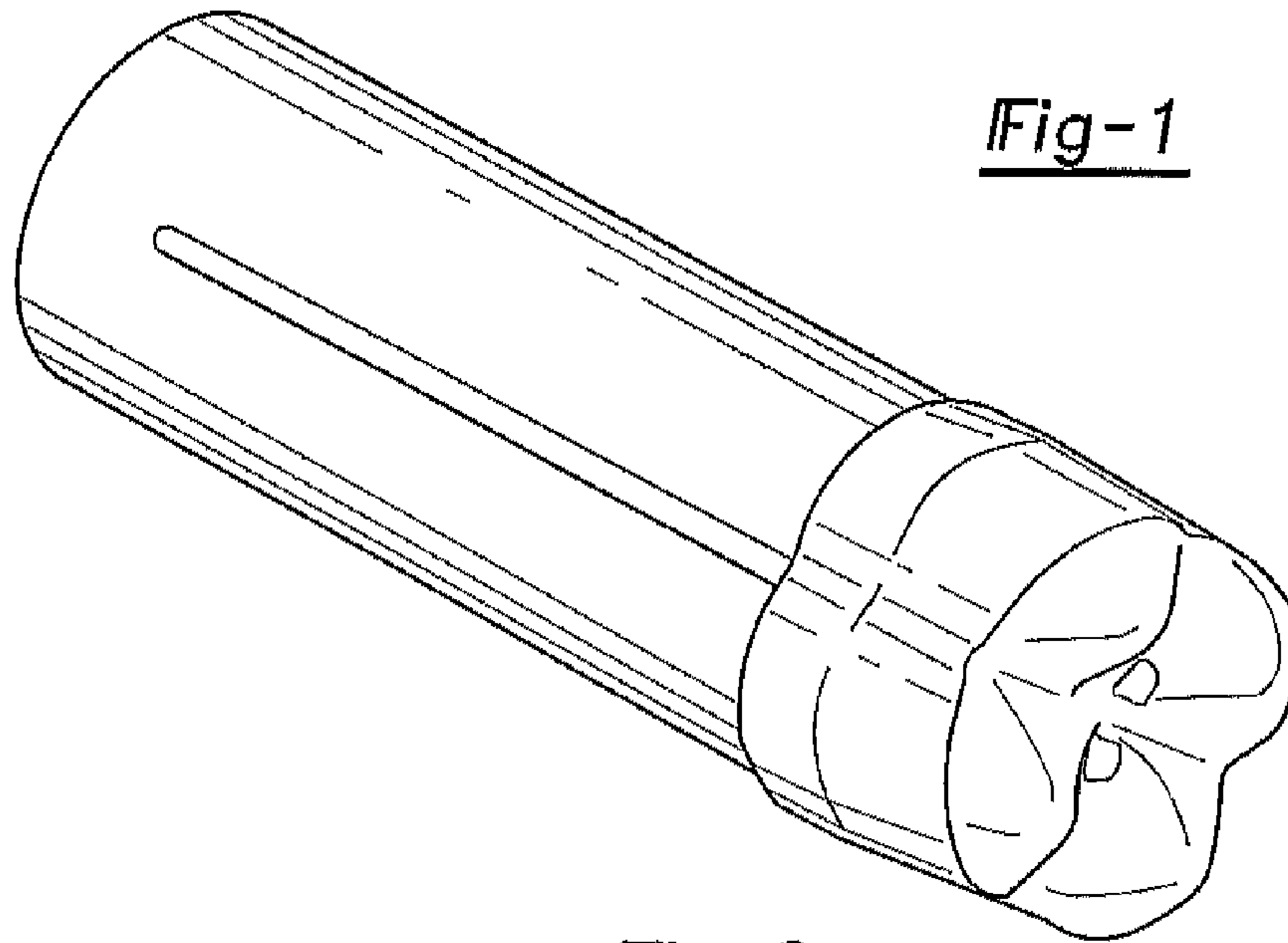


Fig-1

Fig-2

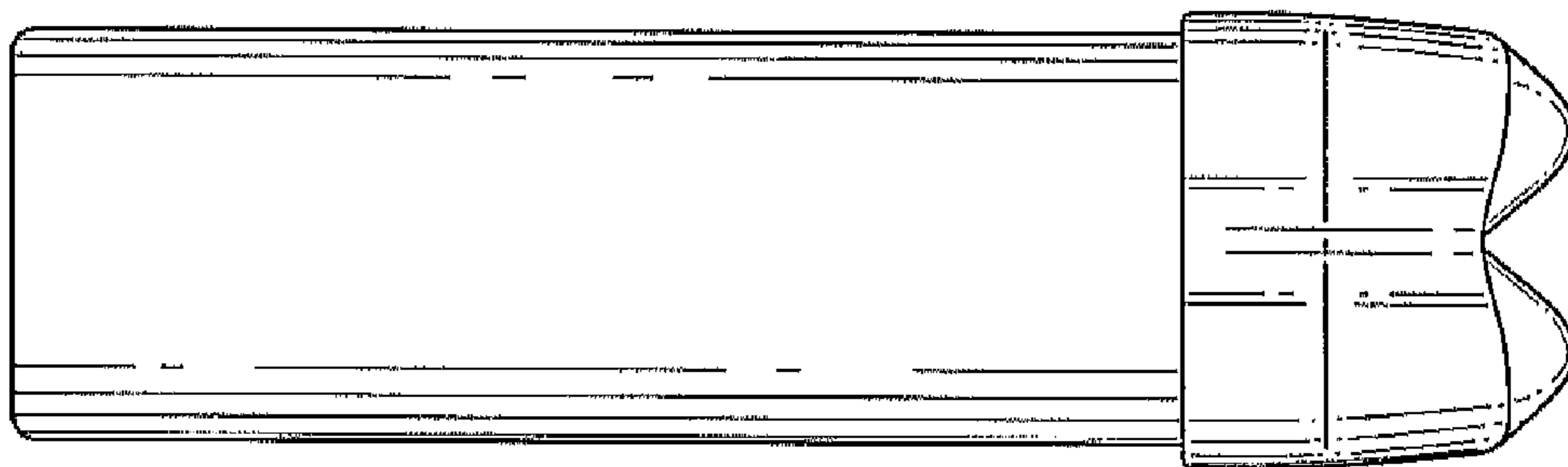
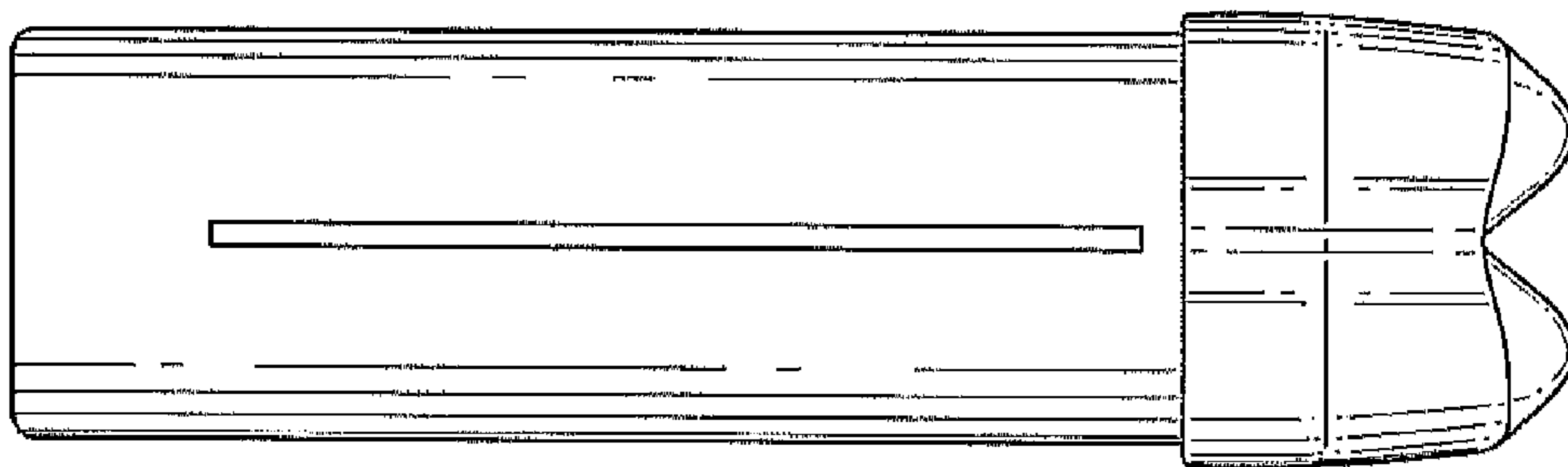


Fig-3

Fig-4

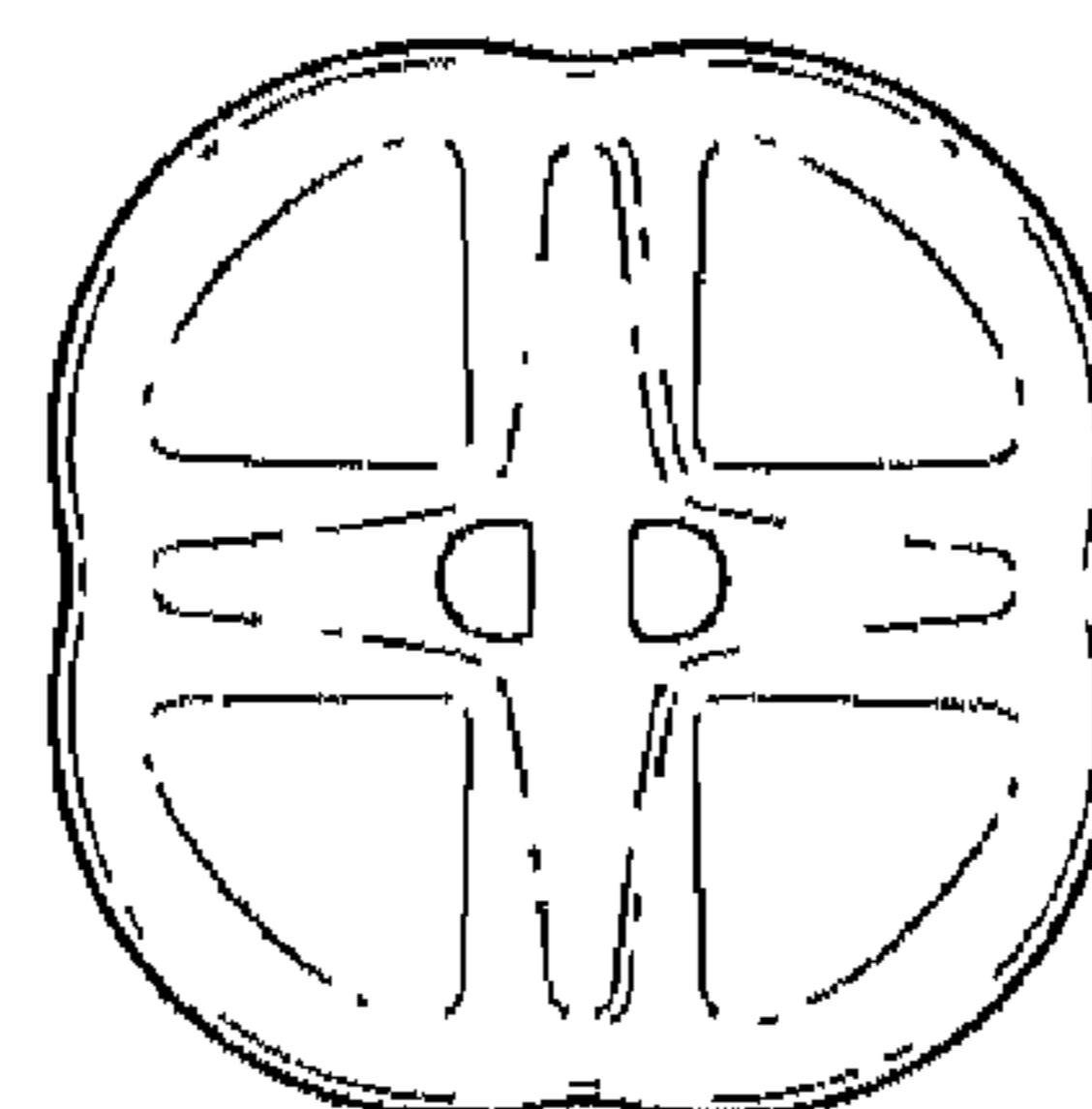
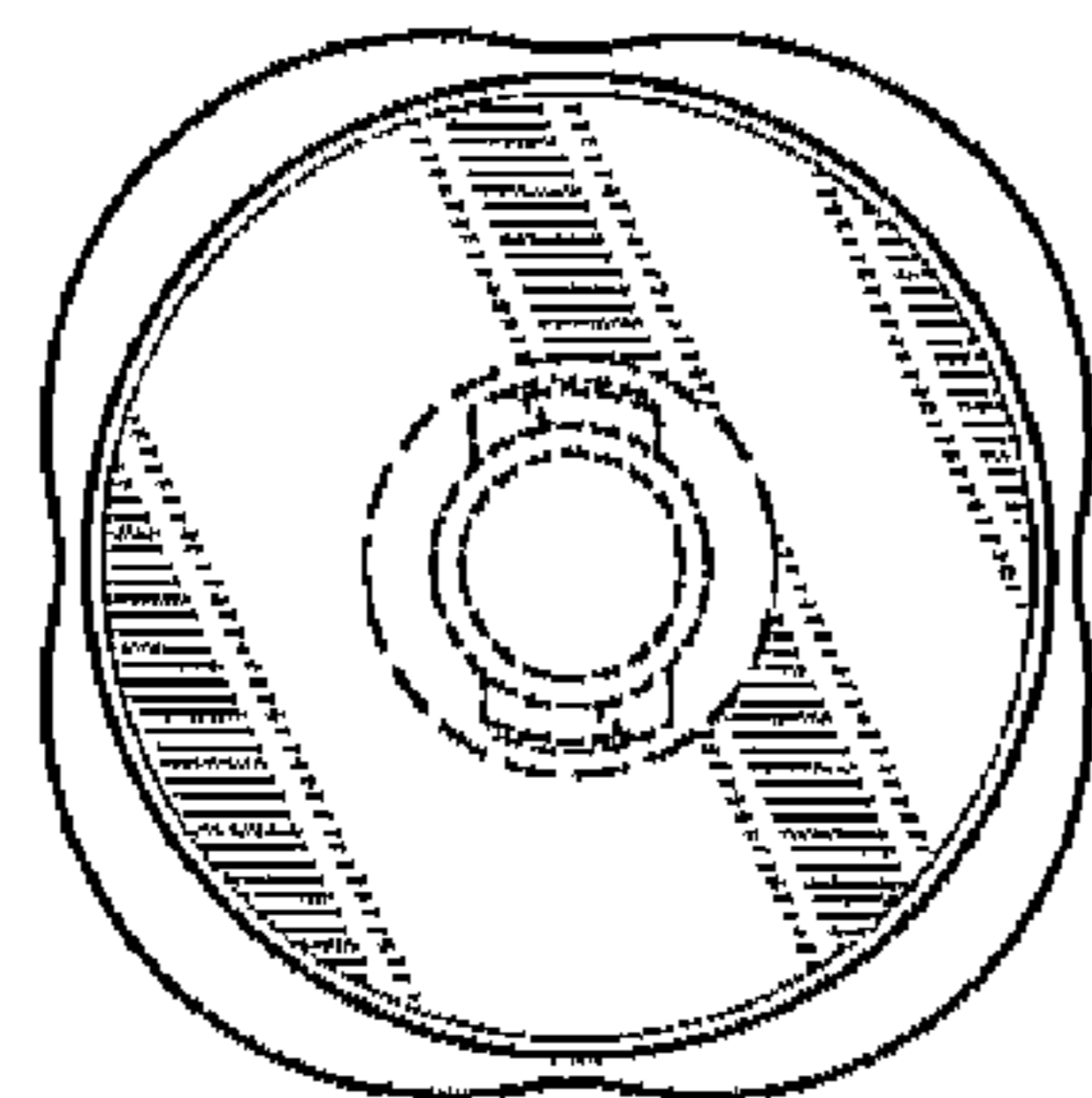


Fig-5