



US00D663560S

(12) **United States Design Patent**
Kluck

(10) **Patent No.:** **US D663,560 S**

(45) **Date of Patent:** **** Jul. 17, 2012**

(54) **DISPENSER**

(75) Inventor: **Scott M. Kluck**, Mequon, WI (US)

(73) Assignee: **Bradley Corporation**, Menomonee Falls, WI (US)

(**) Term: **14 Years**

(21) Appl. No.: **29/412,082**

(22) Filed: **Jan. 30, 2012**

5,226,625 A	7/1993	Hanna	
D338,361 S *	8/1993	Hines	D6/524
D340,374 S *	10/1993	Hines	D6/519
D341,724 S *	11/1993	Hines	D6/519
5,261,619 A	11/1993	Merriweather, Jr.	
D342,175 S *	12/1993	Hines	D6/519
5,605,265 A	2/1997	Hanna	
D385,445 S	10/1997	Arbak et al.	
D401,708 S	11/1998	Arbak et al.	
5,957,324 A	9/1999	Gettelman et al.	
D416,726 S	11/1999	Kurti et al.	
5,988,451 A	11/1999	Hanna	
D426,412 S	6/2000	Cameron	
6,119,901 A	9/2000	Hanna	

(Continued)

Related U.S. Application Data

(60) Division of application No. 29/385,916, filed on Feb. 22, 2011, now Pat. No. Des. 655,960, which is a continuation-in-part of application No. 29/379,126, filed on Nov. 15, 2010, now Pat. No. Des. 655,959.

(51) **LOC (9) Cl.** **20-02**

(52) **U.S. Cl.** **D6/515**

(58) **Field of Classification Search** D6/515-524;
D34/1, 11; 211/13.1, 71.01, 85.19, 88.01;
221/33, 45, 282-283; 248/905; 312/34.1,
312/34.4

See application file for complete search history.

OTHER PUBLICATIONS

Big Willy Toilet Paper Dispenser, believed to have been publicly available before Nov. 15, 2010, 1 page.

(Continued)

Primary Examiner — Brian N Vinson

(74) *Attorney, Agent, or Firm* — Foley & Lardner LLP

(57) **CLAIM**

The ornamental design for a dispenser, as shown and described.

(56) **References Cited**

U.S. PATENT DOCUMENTS

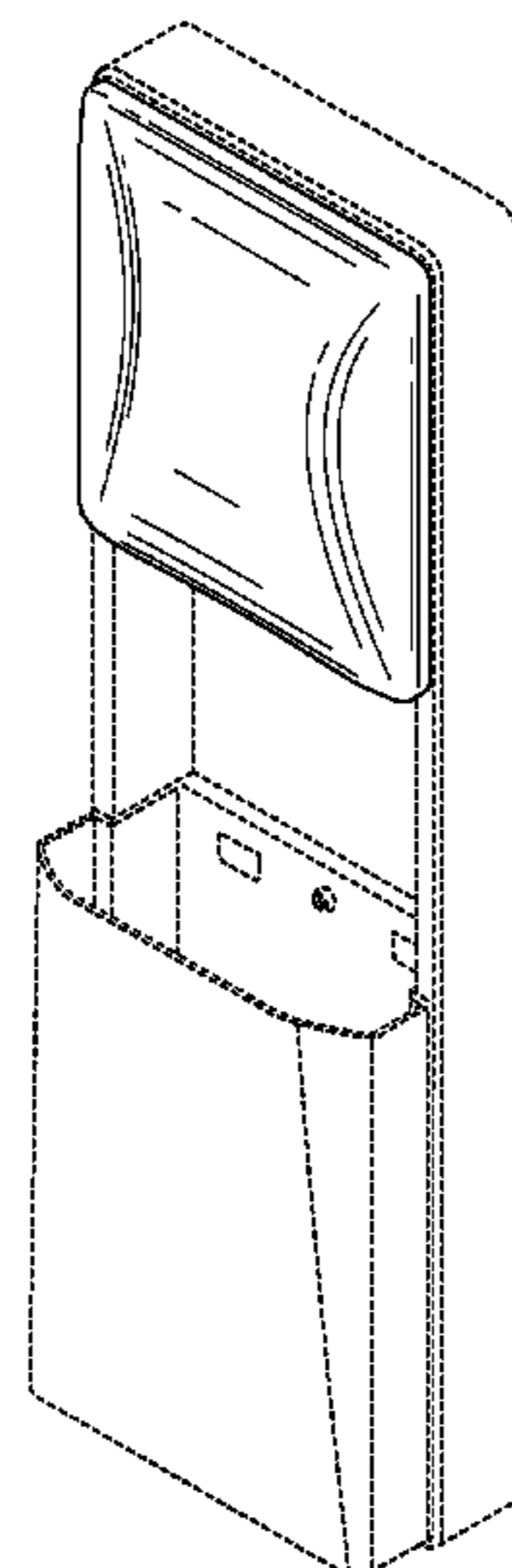
1,800,826 A *	4/1931	Feltault	312/242
D219,066 S *	10/1970	Biggar	D6/519
D283,573 S *	4/1986	Bernard	D6/519
4,617,655 A	10/1986	Aldenhoven	
4,707,933 A	11/1987	Keck et al.	
4,949,877 A	8/1990	Hanna et al.	
4,964,544 A	10/1990	Hanna et al.	
D332,194 S	1/1993	Hines	
D332,195 S	1/1993	Hines	
D332,196 S	1/1993	Hines	
D332,365 S	1/1993	Hines	
D332,542 S	1/1993	Hines	
D332,679 S	1/1993	Hines	
D332,849 S	1/1993	Hines	
D334,266 S	3/1993	Hines	

DESCRIPTION

FIG. 1 is a top, front, and right side perspective view of a dispenser showing my new design;
FIG. 2 is front and left side perspective view thereof;
FIG. 3 is a front elevational view thereof;
FIG. 4 is a rear elevational view thereof;
FIG. 5 is a right side elevational view thereof;
FIG. 6 is a left side elevational view thereof;
FIG. 7 is a top plan view thereof; and,
FIG. 8 is a bottom view thereof.

The broken-line disclosure is understood to represent portions of the article in which the claimed design is embodied, but which form no part of the claimed design.

1 Claim, 6 Drawing Sheets



U.S. PATENT DOCUMENTS

6,129,245	A	10/2000	Redman et al.	
6,131,771	A	10/2000	Hanna	
6,276,027	B1	8/2001	Hanna	
6,502,721	B2	1/2003	Redman et al.	
D483,207	S *	12/2003	Winslow	D6/519
D546,081	S	7/2007	Babikian et al.	
D551,476	S *	9/2007	Cittadino et al.	D6/519
2002/0100771	A1	8/2002	Redman et al.	
2003/0071074	A1	4/2003	Redman et al.	
2004/0164093	A1	8/2004	Redman et al.	
2005/0133529	A1	6/2005	Redman et al.	
2007/0023565	A1	2/2007	Babikian	
2007/0075579	A1	4/2007	Babikian et al.	
2007/0151980	A1	7/2007	Babikian et al.	
2008/0251528	A1	10/2008	Babikian et al.	

OTHER PUBLICATIONS

Columbia Accessories: A Division of PSiSC, 2009 Washroom Accessories Catalog, <http://www.psis.com/catalogs/acc.pdf>, Accessed Mar. 3, 2011, 2 pages.

Durchdacht bis ins Detail, Photos of Trash Receptacle, Paper Towel Dispenser, Toilet Paper Dispenser, Soap Dispenser, believed to have been publicly available before Nov. 15, 2010, 2 pages.
 Ille Folded Paper And Soap Dispenser, believed to have been publicly available before Nov. 15, 2010, 1 pages.
 Palmer Fixture, Blustorm Hands Free High Speed Dryer, Hands-Free Universal Roll Towel Dispensers, <http://palmerfixture.com/product.php?id=194492>, Accessed Jul. 15, 2009, 1 page.
 Palmer Fixture, Soap Dispenser Bulk Electronic SE800, <http://www.palmerfixture.com/product.php?id=191859>, Accessed Jul. 15, 2009, 1 page.
 Paper Towel Dispenser and Tissue Dispenser, ABS Plastic, http://www.allproducts.com/household/fanda/16-pull_towel_dispenser.html, Accessed Jul. 15, 2009, 1 pages.
 Pro Cleaning Solutions: Paper Products: Sofpull Centrepull Towel Di, <http://procleaning.com/xcart/product.php?productid=176&cat=3&page=5>, Accessed Jul. 15, 2009, 1 page.
 The Royal Connection, American Specialties, Inc., bearing a designation, © 2009, 8 pages.
 Washroom Accessories Bobrick Color Catalog, believed to have been publicly available before Nov. 15, 2010. 52 pages.

* cited by examiner

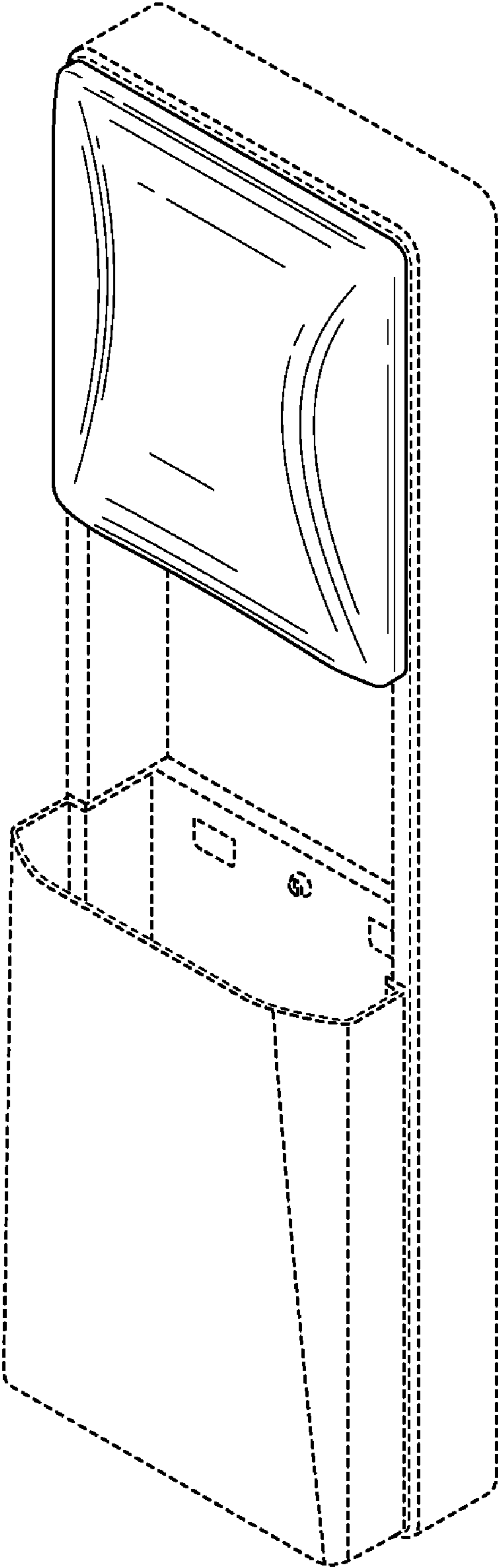


FIG. 1

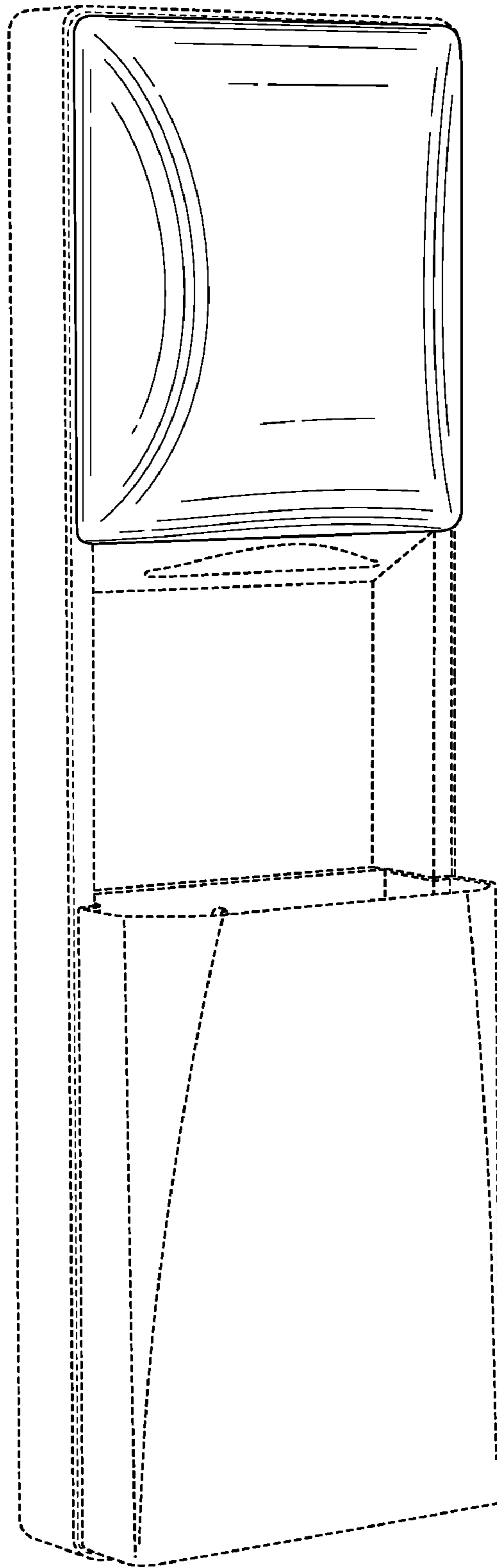


FIG. 2

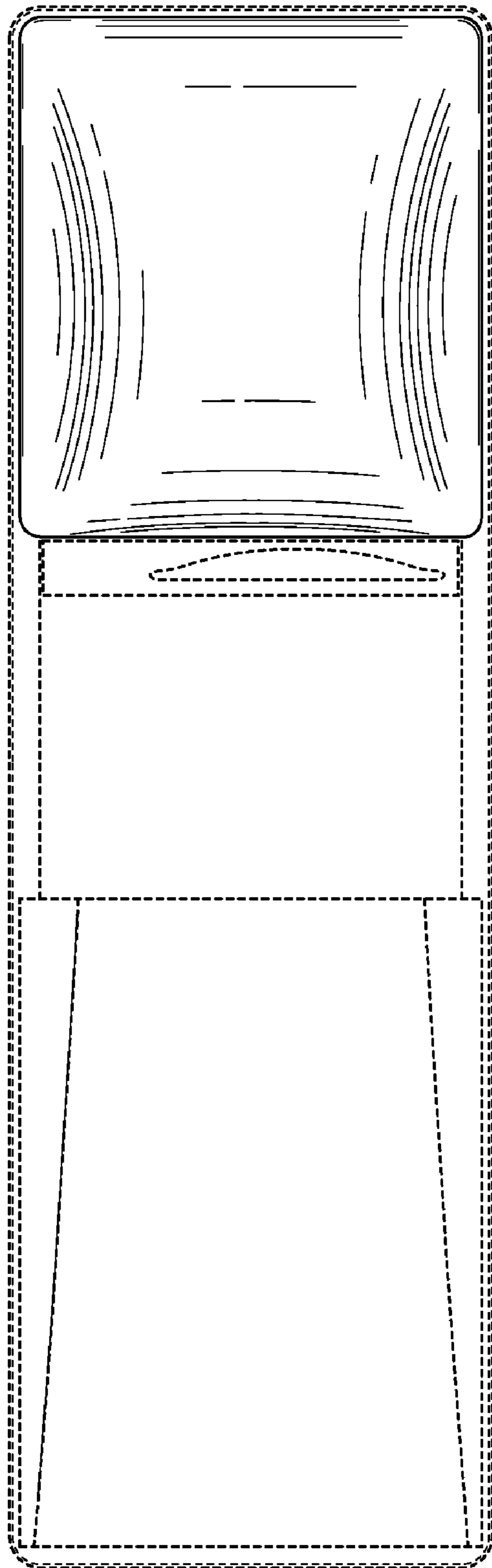


FIG. 3

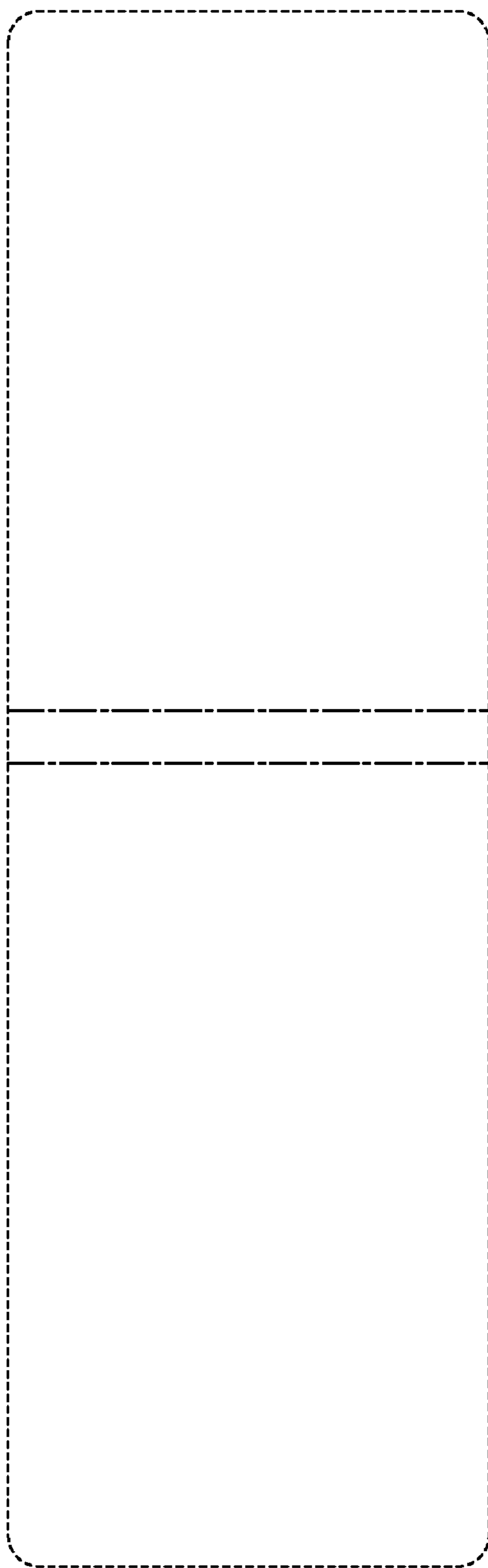


FIG. 4

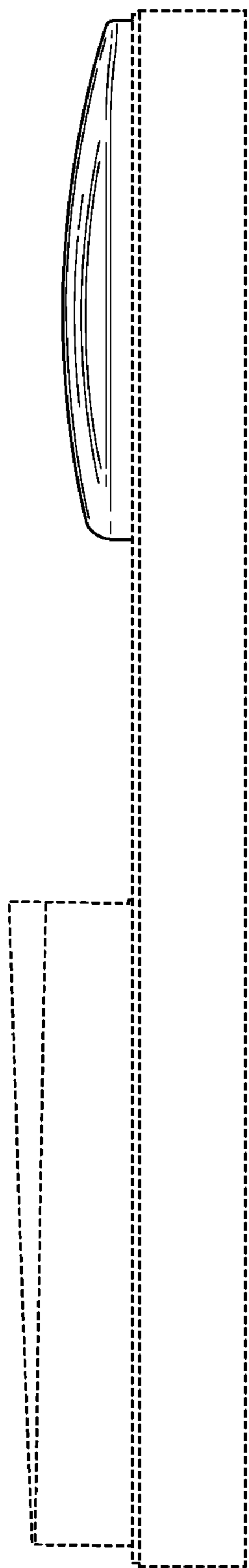


FIG. 5

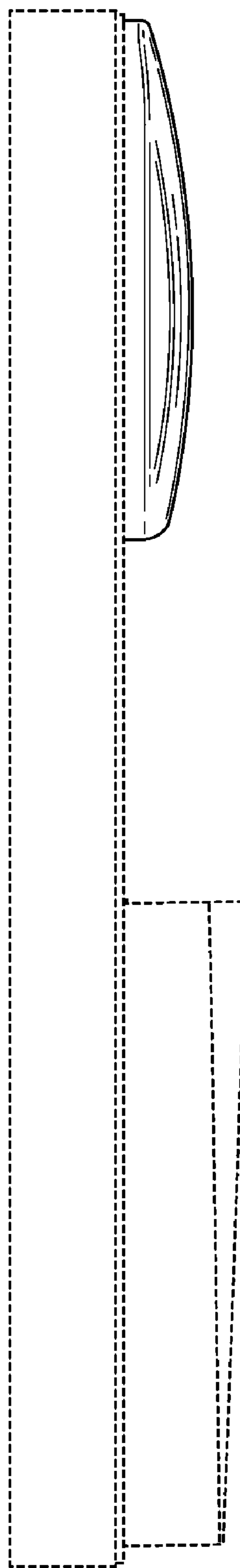


FIG. 6

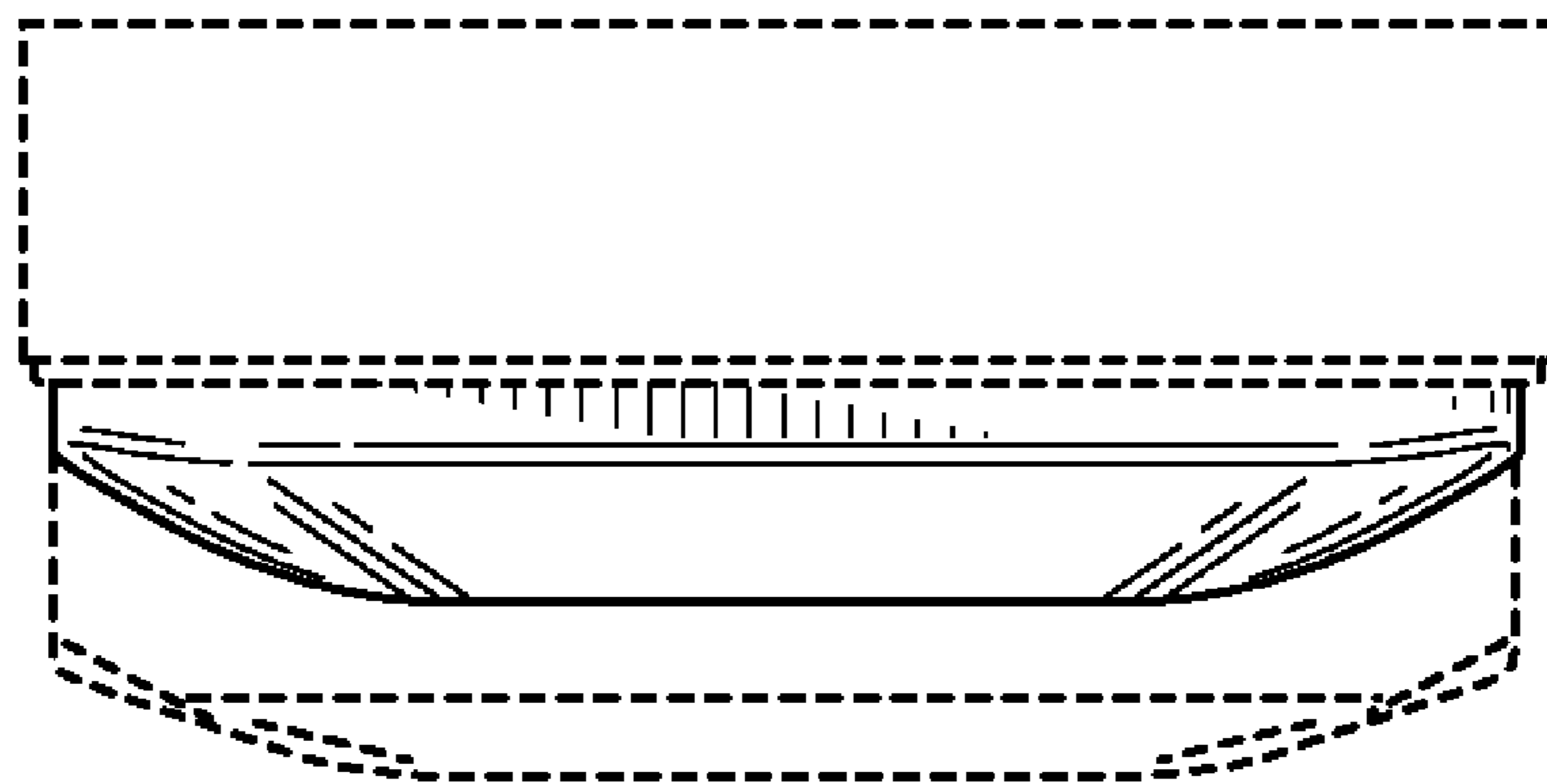


FIG. 7

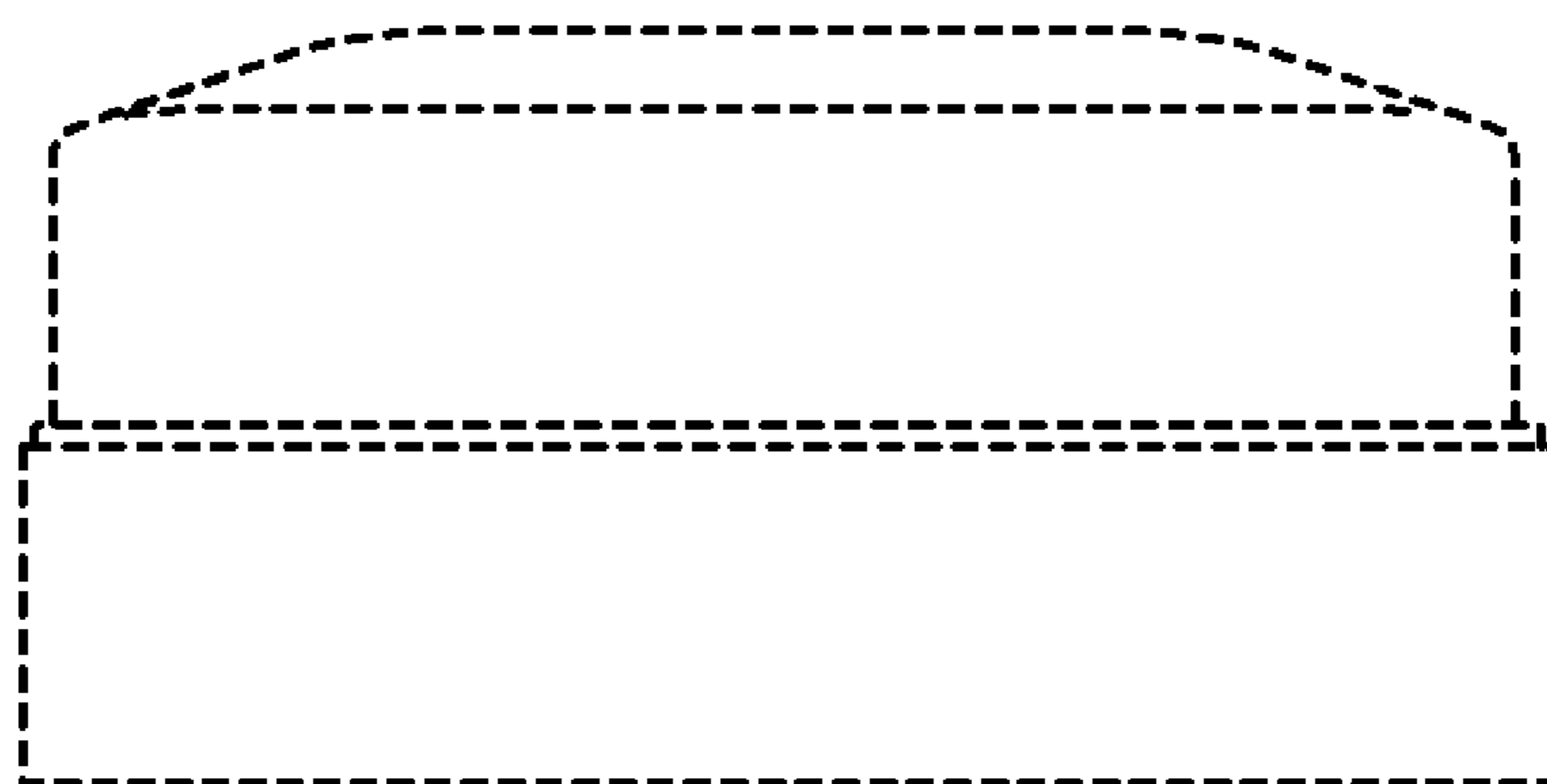


FIG. 8