



US00D663557S

(12) **United States Design Patent**  
**Marler**

(10) **Patent No.:** **US D663,557 S**  
(45) **Date of Patent:** **\*\* Jul. 17, 2012**

(54) **BARRIER DEVICE**

(75) Inventor: **Theresa Marler**, Los Gatos, CA (US)

(73) Assignee: **PupGear Corporation**, Los Gatos, CA (US)

(\*\*) Term: **14 Years**

(21) Appl. No.: **29/358,142**

(22) Filed: **Mar. 23, 2010**

(51) **LOC (9) Cl.** ..... **06-01**

(52) **U.S. Cl.** ..... **D6/500**

(58) **Field of Classification Search** ..... D6/334,  
D6/335, 337, 349, 353, 380, 381, 500-502,  
D6/601, 491; 297/14, 43, 44, 118, 140, 245,  
297/300.1, 311, 353, 354.1, 445.1, 446.1,  
297/446.2, 447.4, 465, 900, DIG. 7, DIG. 2;  
5/12.1, 12.2

See application file for complete search history.

(56) **References Cited**

U.S. PATENT DOCUMENTS

2,087,574	A	*	7/1937	Kauffer	.....	297/113
D243,217	S	*	2/1977	Warsaw	.....	D6/381
D246,143	S	*	10/1977	Nash	.....	D6/381
D246,144	S	*	10/1977	Nash	.....	D6/381
D256,634	S	*	9/1980	Nash	.....	D6/381
D257,301	S	*	10/1980	Nash	.....	D6/381
D258,401	S	*	3/1981	Beall, Jr.	.....	D6/381

D292,196	S	*	10/1987	Dooley	.....	D12/97
D306,662	S	*	3/1990	Gera	.....	D6/381
D329,543	S	*	9/1992	Shields	.....	D6/334
D345,658	S	*	4/1994	Jordan	.....	D6/381
D424,317	S	*	5/2000	Natuzzi et al.	.....	D6/381
D495,892	S	*	9/2004	Ricci	.....	D6/381
D562,582	S	*	2/2008	Hackethal et al.	.....	D6/381
D580,664	S	*	11/2008	Cramer et al.	.....	D6/334
D603,192	S	*	11/2009	Priddle	.....	D6/491

\* cited by examiner

*Primary Examiner* — Sandra Snapp

(74) *Attorney, Agent, or Firm* — LaRiviere, Grubman & Payne, LLP

(57) **CLAIM**

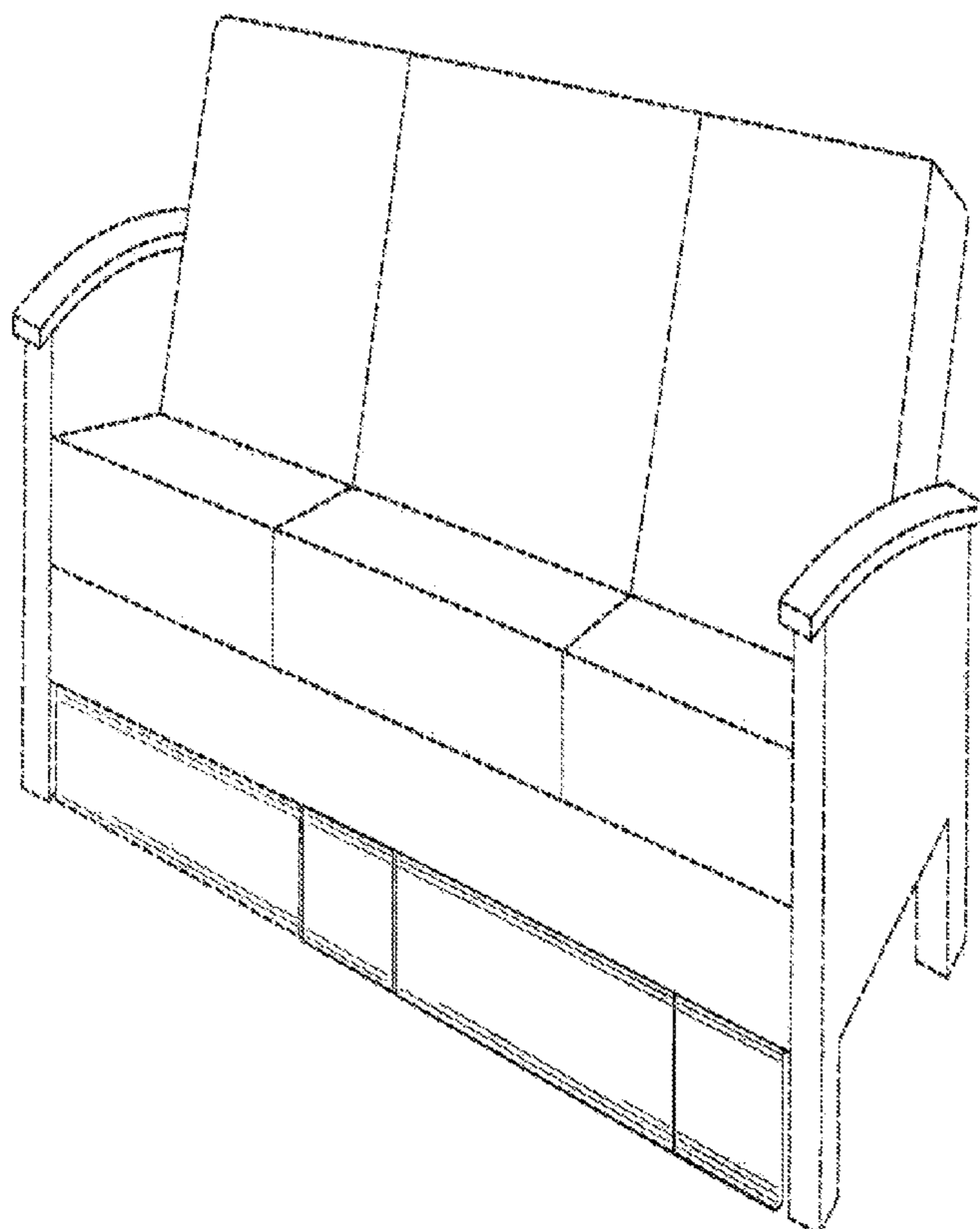
The ornamental design for a barrier device, as shown and described.

**DESCRIPTION**

FIG. 1 illustrates a perspective view of the barrier device, located under the front of a generic (unclaimed) couch.  
FIG. 2 illustrates a perspective view of the front/top thereof;  
FIG. 3 illustrates a top view thereof;  
FIG. 4 illustrates a front view thereof;  
FIG. 5 illustrates a bottom view thereof;  
FIG. 6 illustrates a rear view thereof;  
FIG. 7 illustrates a side view thereof; and,  
FIG. 8 illustrates a side view thereof.

The broken lines showing the environment are for illustrative purposes only and form no part of the claimed design.

**1 Claim, 4 Drawing Sheets**



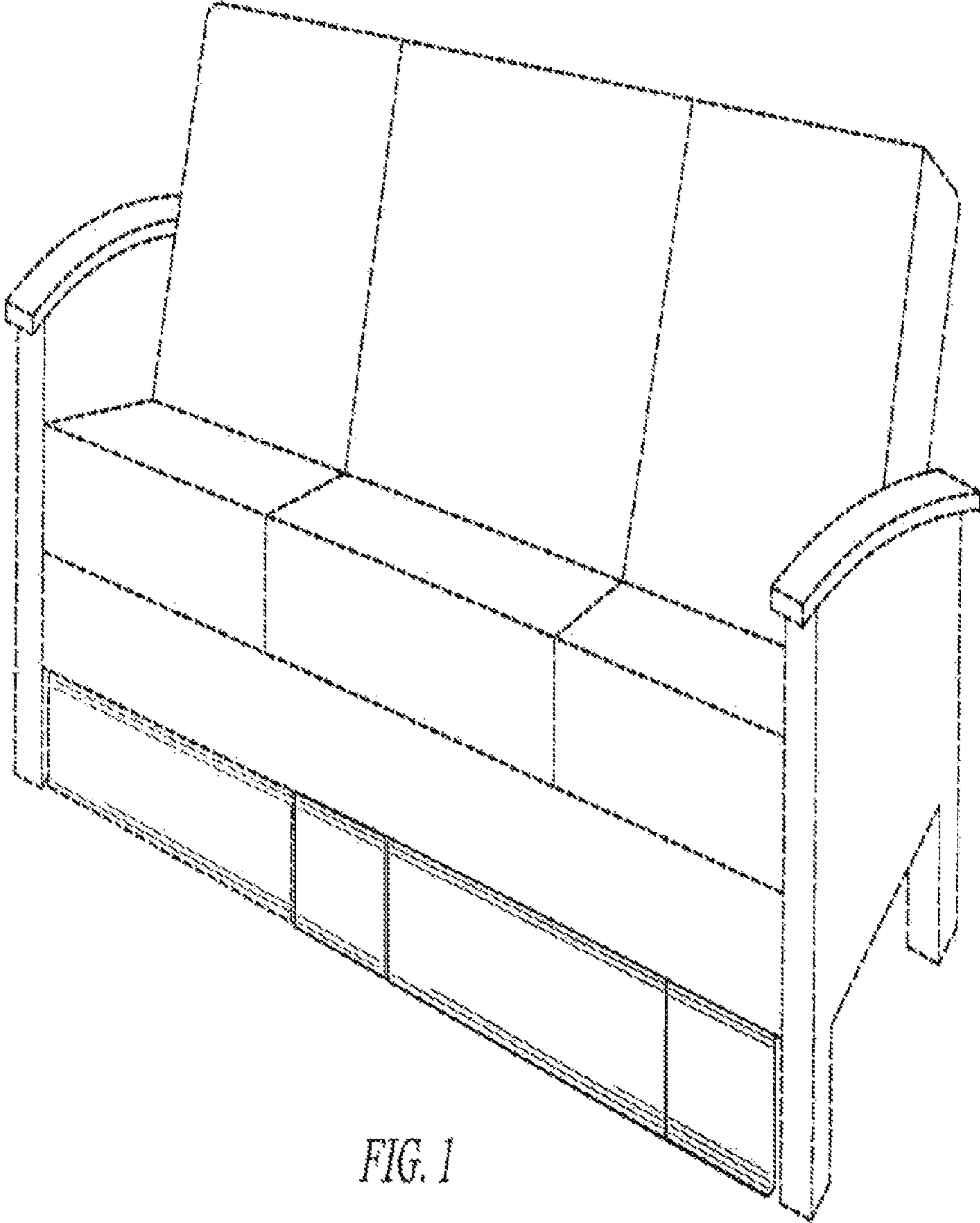


FIG. 1

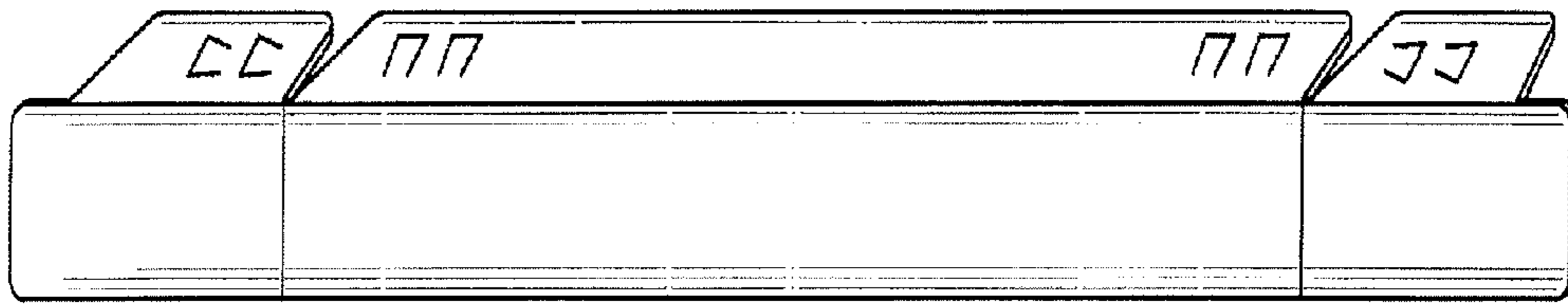


FIG. 2

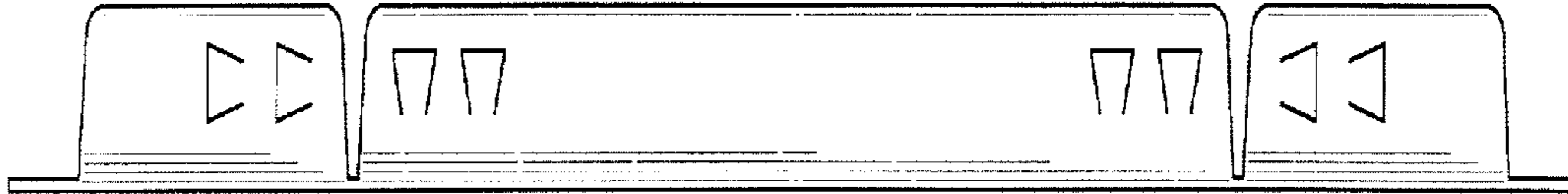


FIG. 3

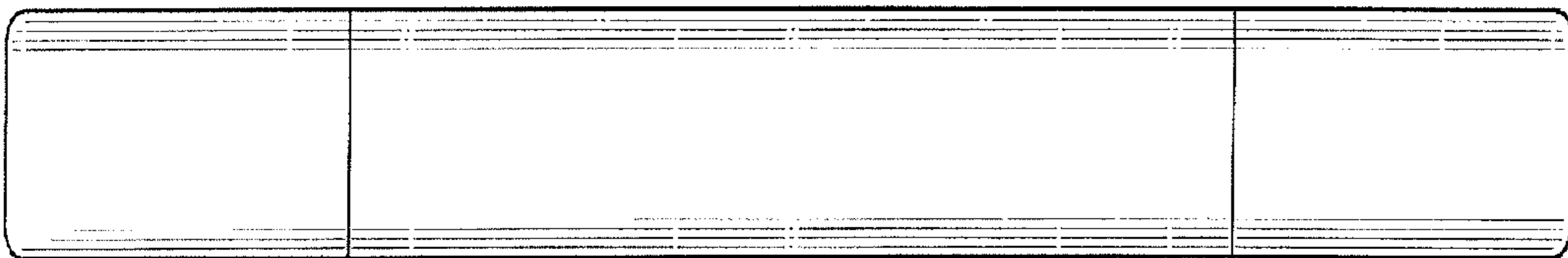


FIG. 4

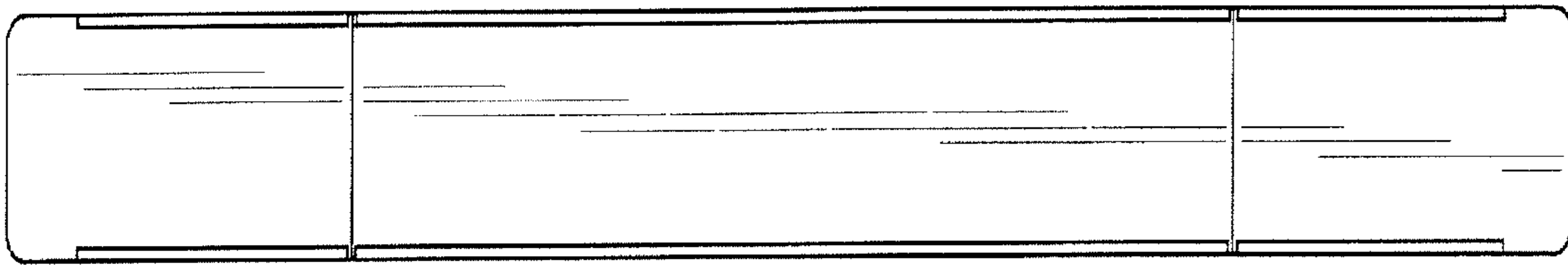


FIG. 5

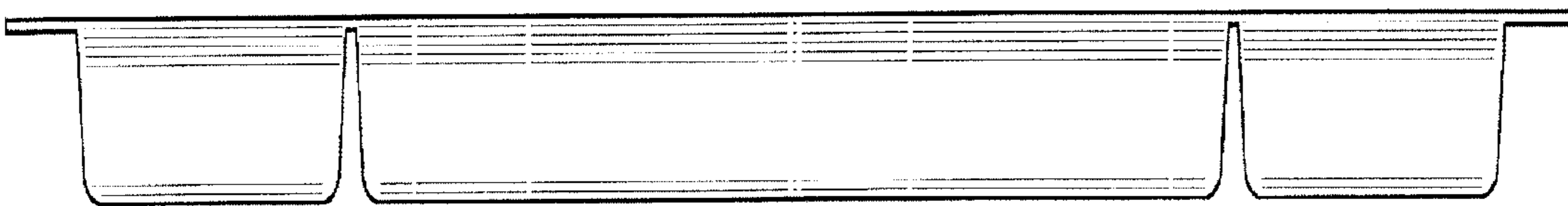
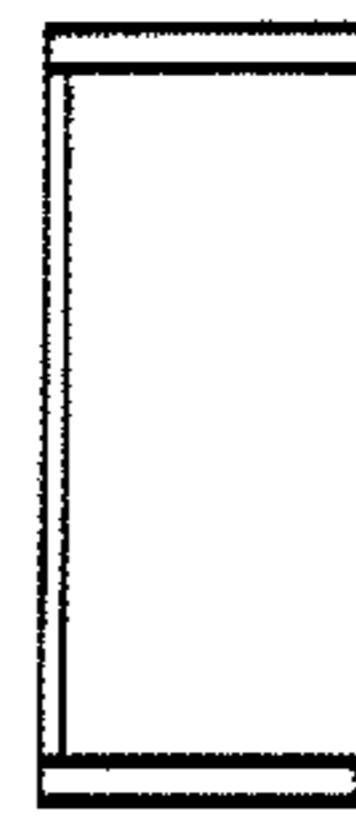


FIG. 6



*FIG. 7*



*FIG. 8*