

US00D663556S

(12) **United States Design Patent**  
**McShane**

(10) **Patent No.:** **US D663,556 S**

(45) **Date of Patent:** **\*\* Jul. 17, 2012**

(54) **PUZZLE SUPPORT LEGS**

(75) Inventor: **Arthur E. McShane**, Port Jefferson Station, NY (US)

(73) Assignee: **Art Works and Design, Inc.**, Port Jefferson Station, NY (US)

(\*\*) Term: **14 Years**

(21) Appl. No.: **29/403,585**

(22) Filed: **Oct. 7, 2011**

(51) **LOC (9) Cl.** ..... **06-06**

(52) **U.S. Cl.** ..... **D6/495**

(58) **Field of Classification Search** ..... D6/480-489,  
D6/495-499, 429, 450, 451; 108/150, 153.1,  
108/156, 157, 161; 248/188, 118.1, 188.5,  
248/188.7, 188.8; D21/397, 480

See application file for complete search history.

(56) **References Cited**

**U.S. PATENT DOCUMENTS**

D237,572 S \* 11/1975 Koyama ..... D6/495  
D239,678 S \* 4/1976 Blake ..... D6/466

D254,994 S \* 5/1980 Mioreanu et al. .... D30/106  
D286,345 S \* 10/1986 Stanislawski et al. .... D6/349  
D473,066 S \* 4/2003 Kwok ..... D6/407

\* cited by examiner

*Primary Examiner* — Janice Seeger

(74) *Attorney, Agent, or Firm* — Richard A. Castellano;  
Prass LLP

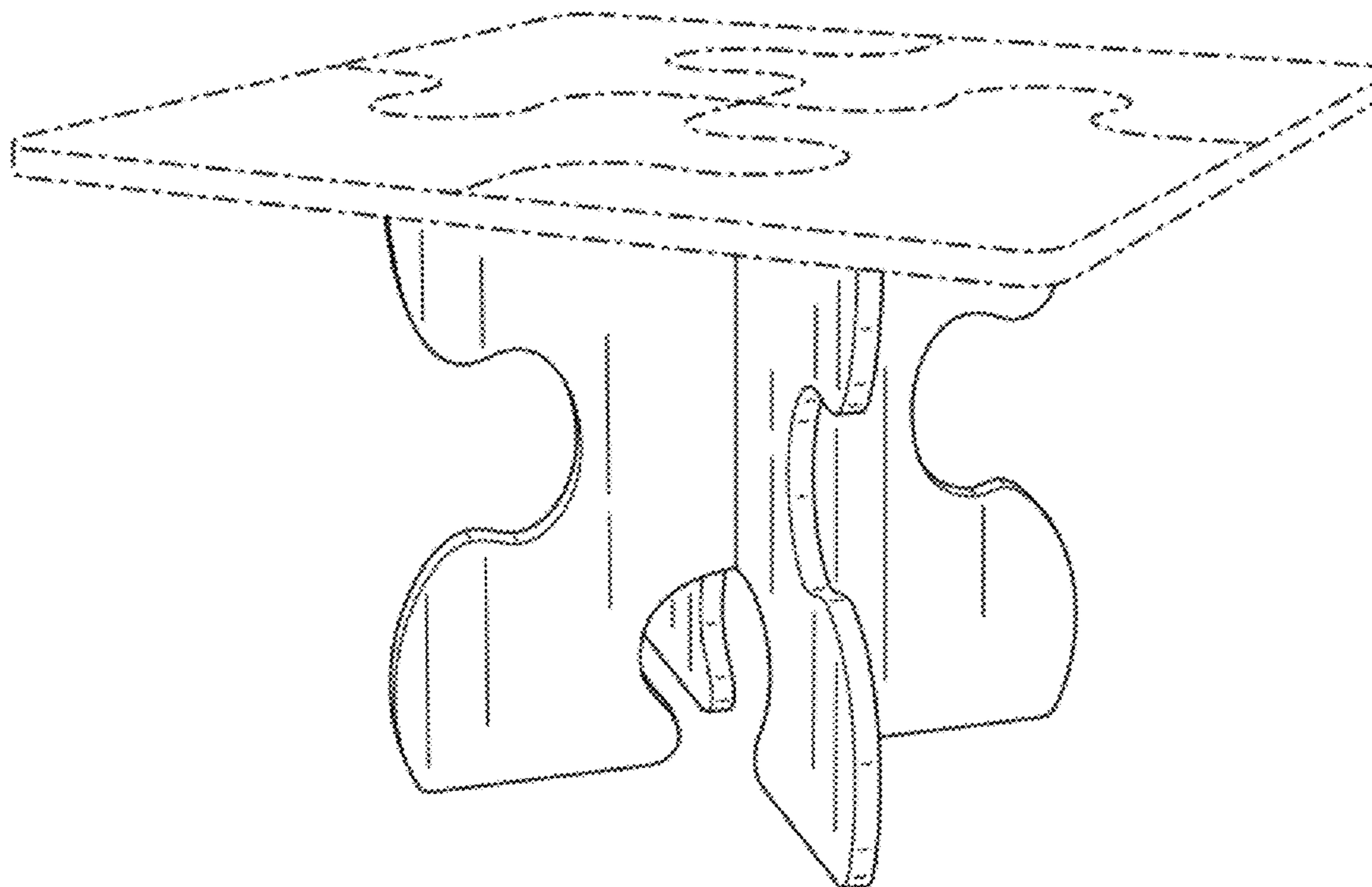
(57) **CLAIM**

The ornamental design for puzzle support legs, as shown and described.

**DESCRIPTION**

FIG. 1 is a front perspective view of puzzle support legs showing my new design;  
FIG. 2 is front view thereof;  
FIG. 3 is a right side view thereof;  
FIG. 4 is a left side view thereof;  
FIG. 5 is a rear view thereof;  
FIG. 6 is a bottom elevation view thereof; and,  
FIG. 7 is a top view thereof.  
The broken lines shown in all views are to illustrate environment only and form no part of the claimed design.

**1 Claim, 5 Drawing Sheets**



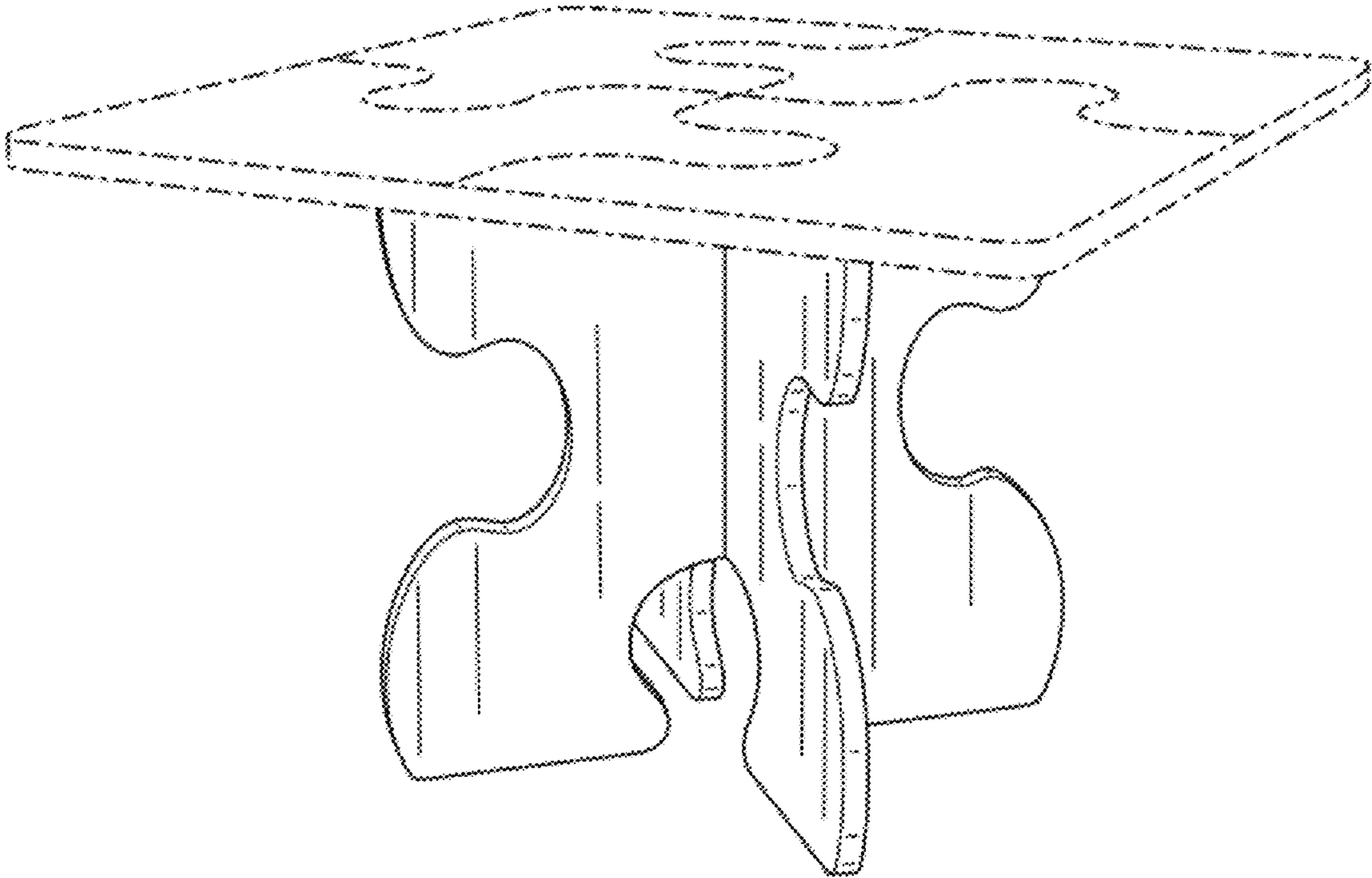


FIG. 1

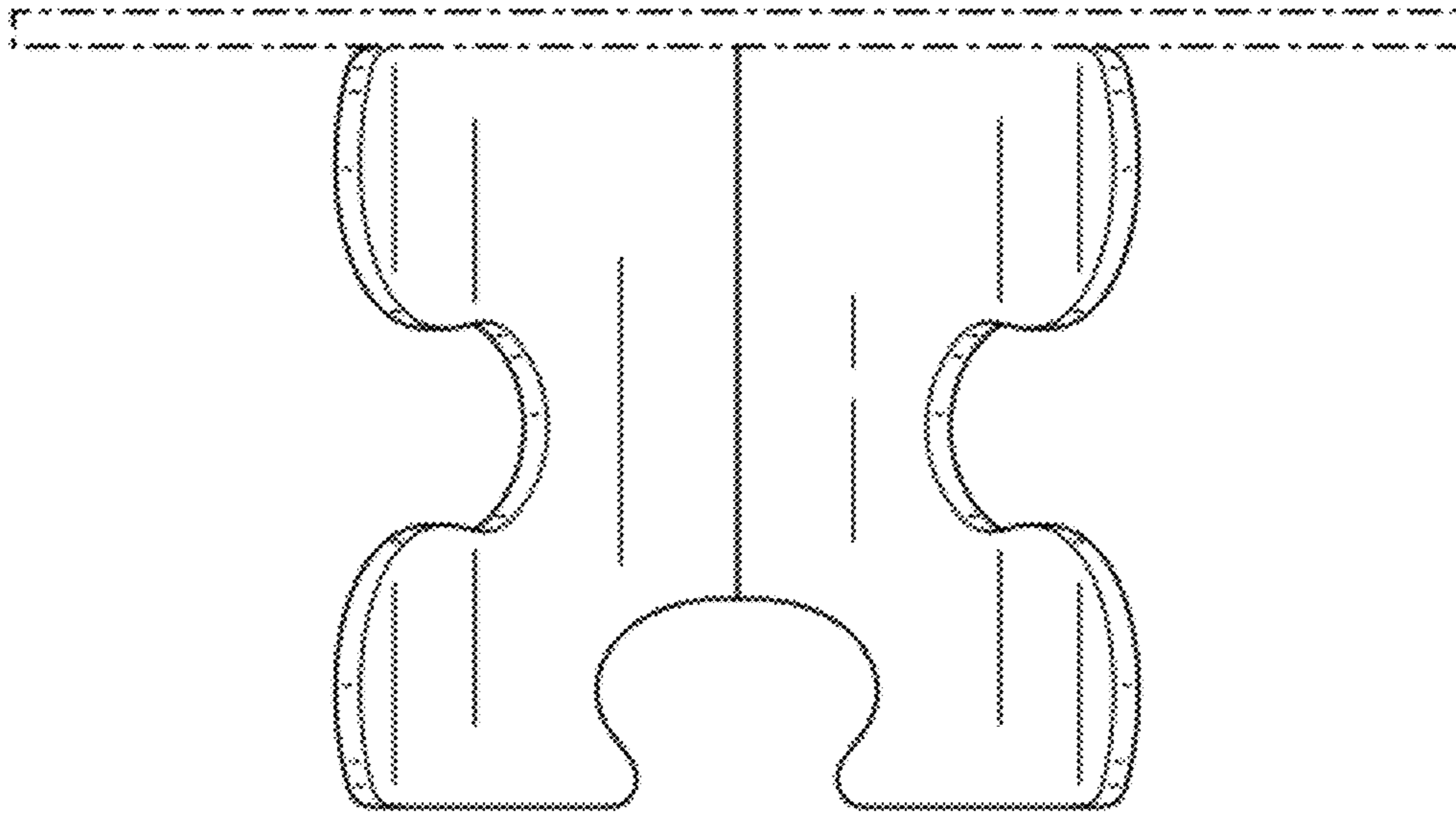


FIG. 2

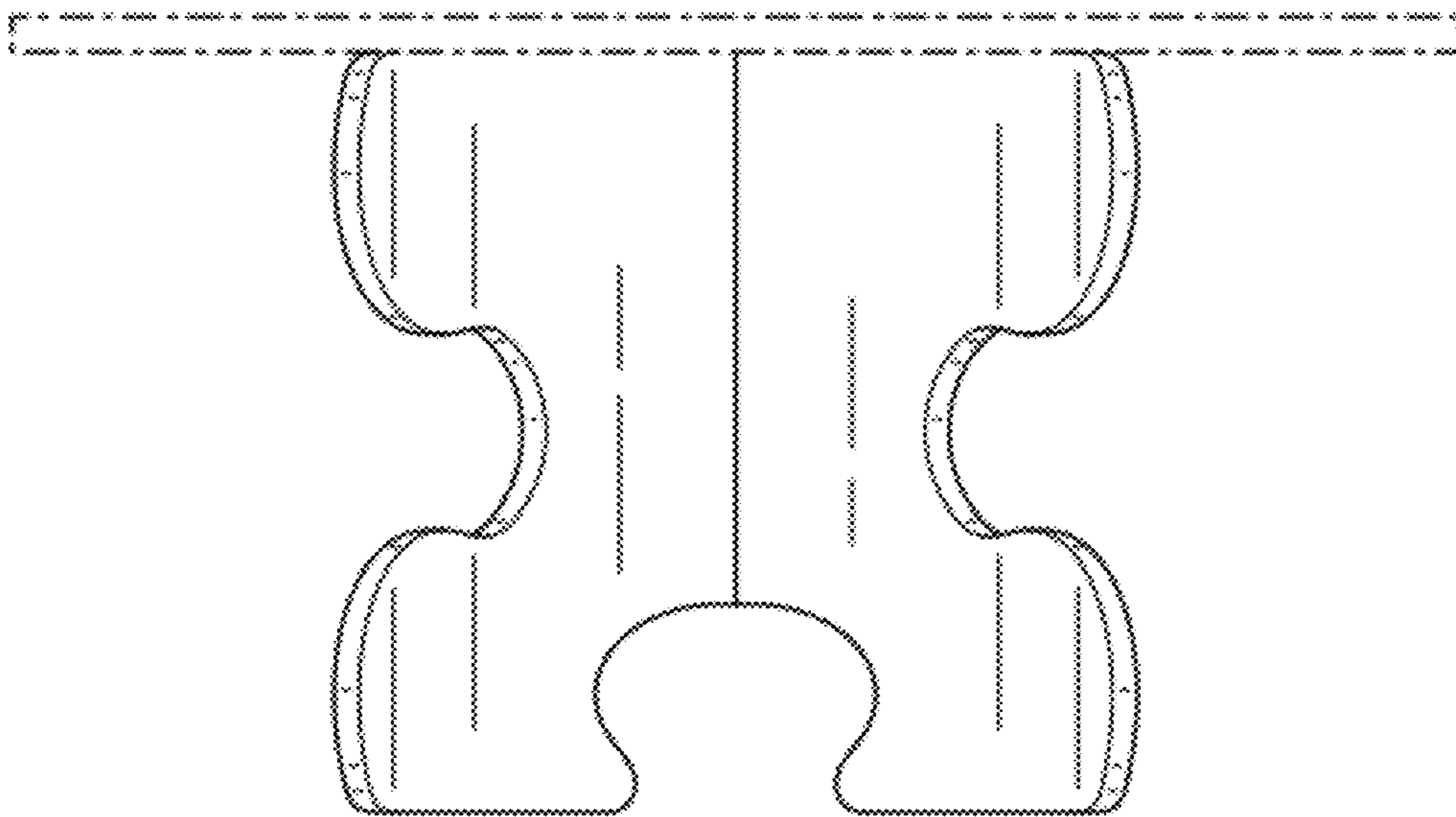


FIG. 3

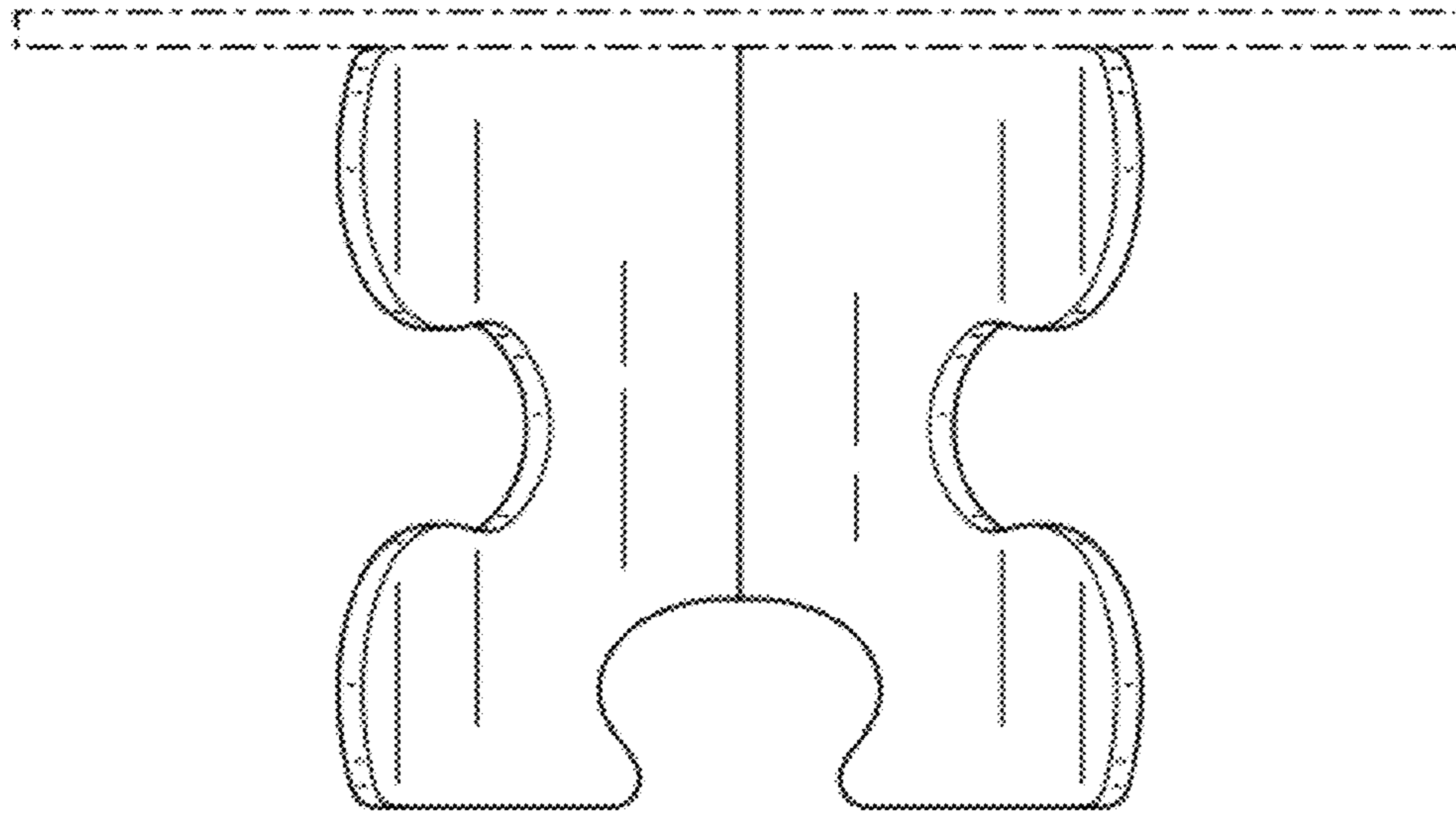


FIG. 4

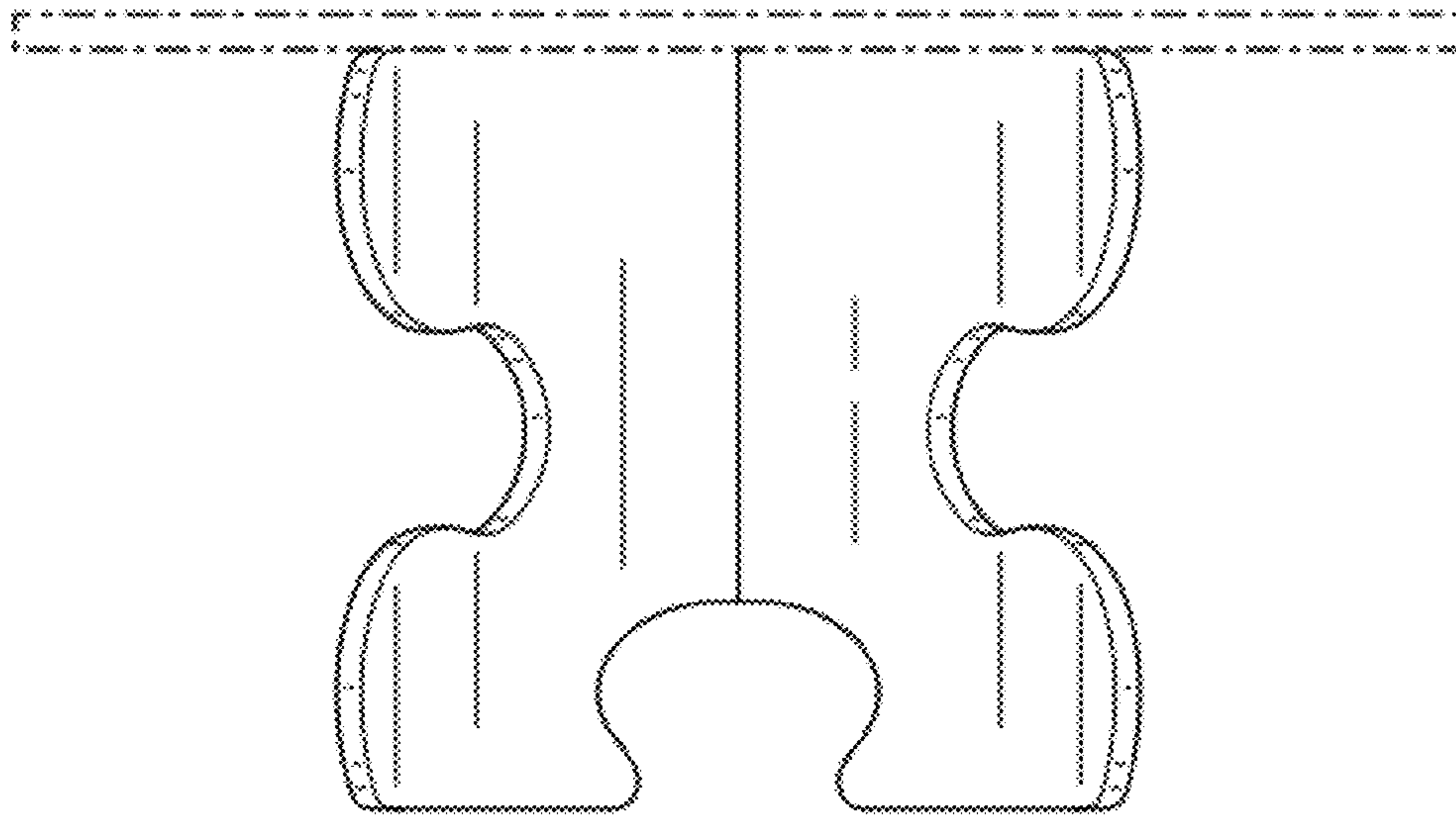


FIG. 5

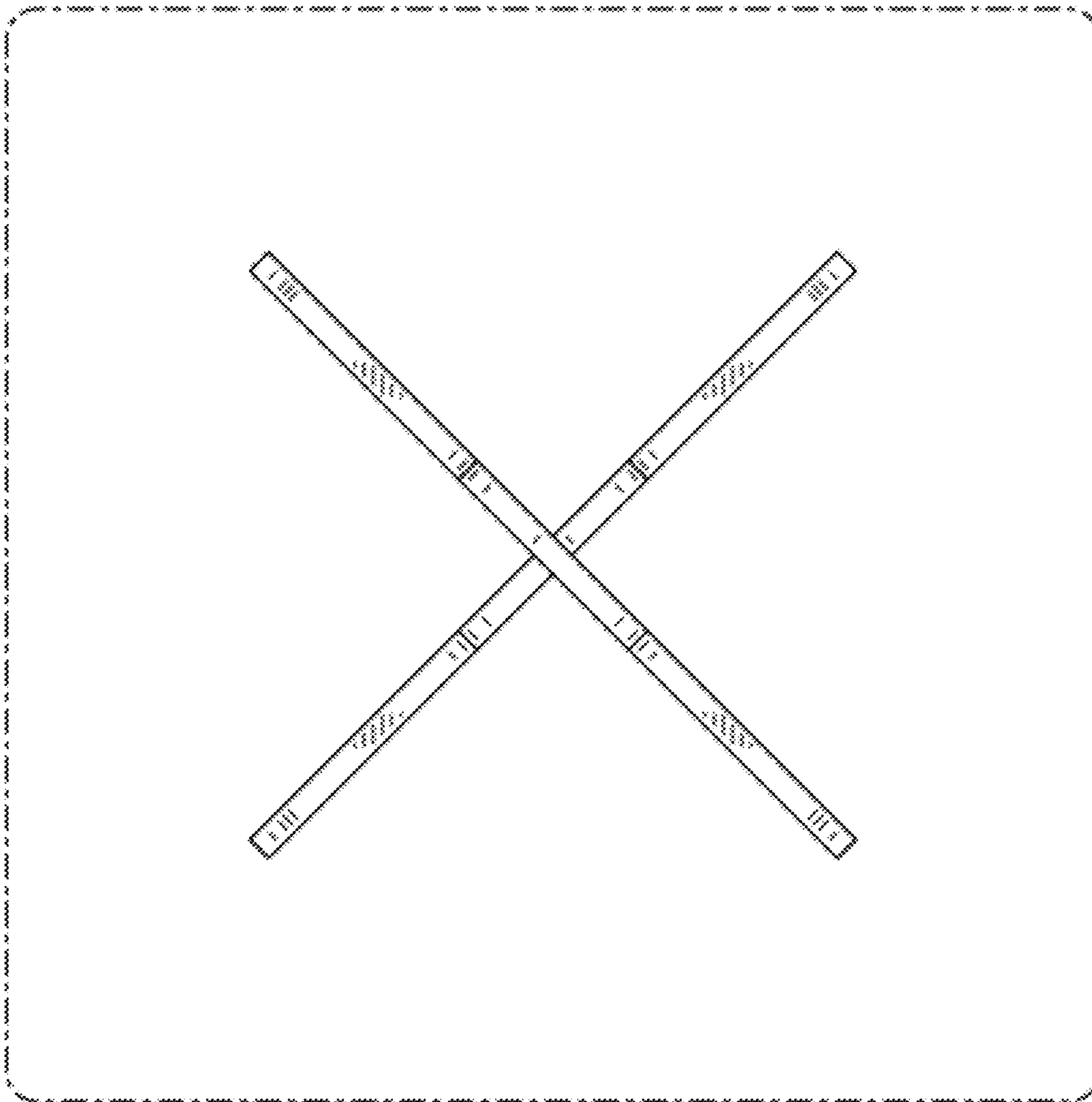


FIG. 6

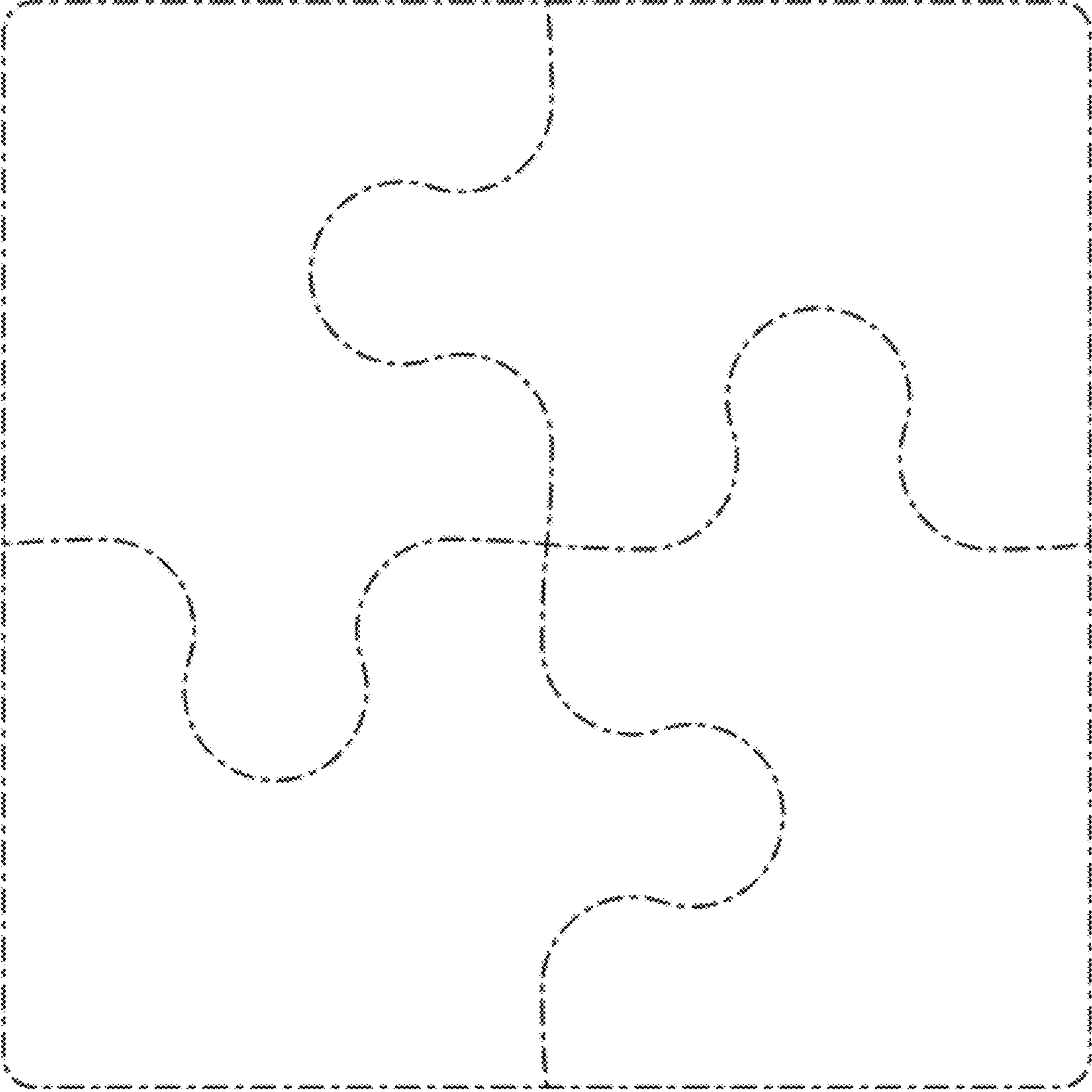


FIG. 7