

US00D663554S

(12) **United States Design Patent**
Siekmann

(10) **Patent No.:** **US D663,554 S**

(45) **Date of Patent:** **** Jul. 17, 2012**

(54) **FURNITURE FRONT**

(75) Inventor: **Ulrich-Wilhelm Siekmann, Löhne (DE)**

(73) Assignee: **Siekmann Möbelwerke GmbH & Co. KG (DE)**

(**) Term: **14 Years**

(21) Appl. No.: **29/356,750**

(22) Filed: **Mar. 2, 2010**

Related U.S. Application Data

(63) Continuation of application No. 29/277,843, filed on Mar. 12, 2007, now abandoned.

(30) **Foreign Application Priority Data**

Sep. 12, 2006 (EM) 000587670

(51) **LOC (9) Cl.** **06-04**

(52) **U.S. Cl.** **D6/492**

(58) **Field of Classification Search** D6/300,
D6/308, 420-437, 440-448, 460-468, 474-479,
D6/486, 494-495, 509-510; D8/353, 401;
D13/184; D14/341; D19/52; D34/17, 19;
52/309.11, 455; 312/194, 198, 204, 213,
312/224, 278-279

See application file for complete search history.

(56) **References Cited**

U.S. PATENT DOCUMENTS

1,548,235 A * 8/1925 Zahner 52/455
4,546,585 A * 10/1985 Governale 52/309.11
D287,006 S * 12/1986 Fletcher et al. D13/184
D327,527 S * 6/1992 Walker et al. D25/48
D438,636 S * 3/2001 Stuart D25/48
D450,665 S * 11/2001 Isely et al. D13/184

6,487,827 B2 * 12/2002 Hollman 52/455
D476,176 S * 6/2003 Lenger D6/494
D480,221 S * 10/2003 Luciano D6/300
D488,015 S * 4/2004 Brandon D6/510
D492,141 S * 6/2004 Brandon D6/494
D501,565 S * 2/2005 Malicki et al. D25/138
D516,224 S * 2/2006 Brandon D25/48
D541,137 S * 4/2007 Fabrizi D8/353
D548,981 S * 8/2007 Ernetoft D6/300
D566,296 S * 4/2008 Walsh et al. D25/48
D576,432 S * 9/2008 Siekmann D6/509
D576,740 S * 9/2008 Steiber et al. D25/48
D587,816 S * 3/2009 Steiber et al. D25/48
D588,383 S * 3/2009 Thompson D6/494
D588,708 S * 3/2009 Steiber et al. D25/48
D610,354 S * 2/2010 Kuo D6/300

(Continued)

Primary Examiner — Ricky Pham

(74) *Attorney, Agent, or Firm* — Bourque and Associates, PA

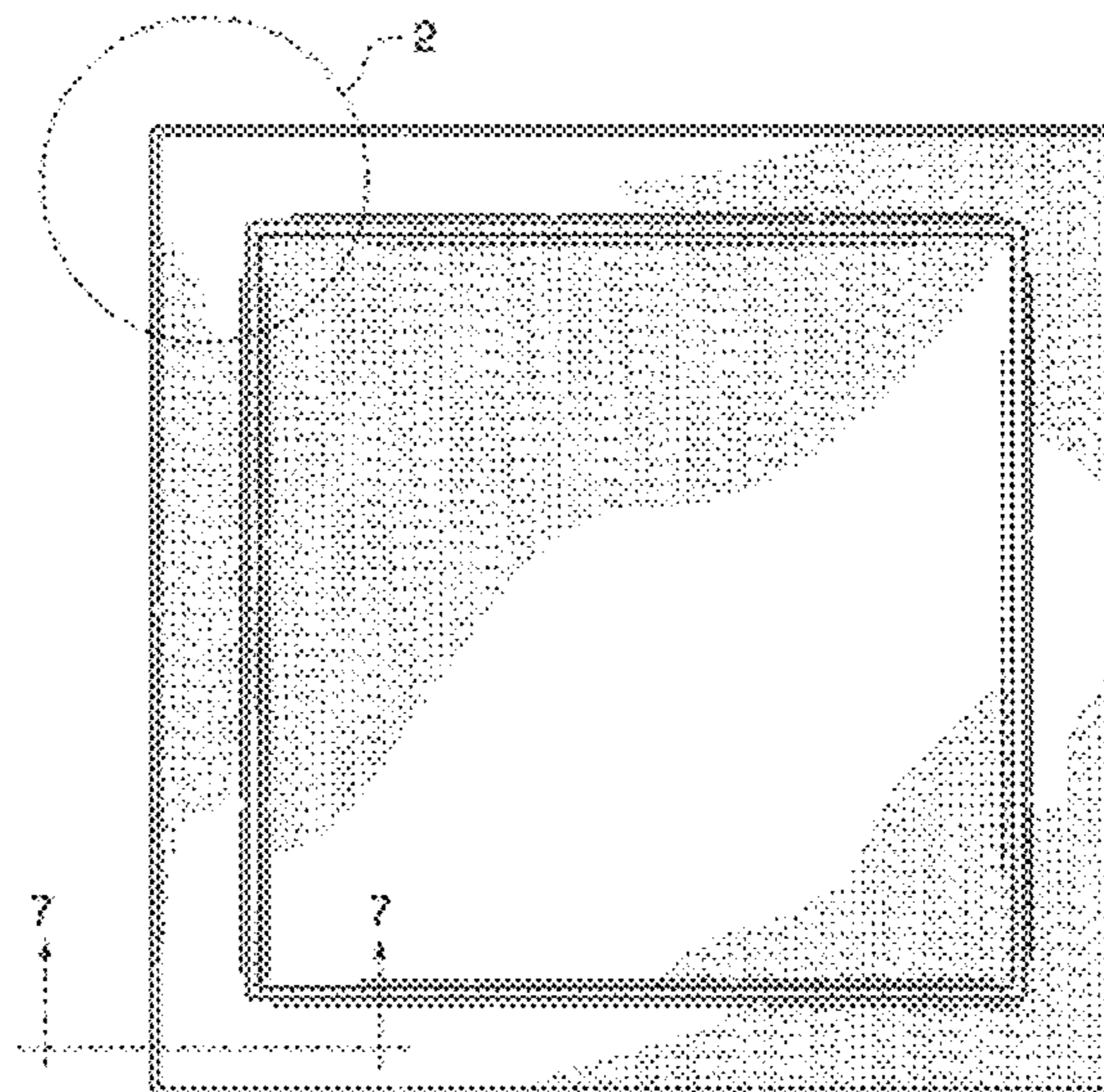
(57) **CLAIM**

The ornamental design for a furniture front, as shown and described.

DESCRIPTION

FIG. 1 is a front view of a furniture front showing a brushed metal finish as part of the design of the present invention; FIG. 2 is an enlarged corner view of the furniture front of FIG. 1; FIG. 3 is a rear view of the furniture front of FIG. 1; FIG. 4 is a top view of the furniture front of FIG. 1; the bottom view being a mirror image thereof; FIG. 5 is a left side view of the furniture front of FIG. 1; FIG. 6 is a right side view of the furniture front of FIG. 1; and, FIG. 7 is an enlarged cross-sectional view taken along lines 7-7 of the furniture front of FIG. 1.

1 Claim, 4 Drawing Sheets



US D663,554 S

Page 2

U.S. PATENT DOCUMENTS

D623,226 S *	9/2010	Hoch et al.	D19/52	D627,779 S *	11/2010	Liao	D14/341
D623,425 S *	9/2010	Mischel et al.	D6/308	D641,232 S *	7/2011	Stevens	D8/401

* cited by examiner

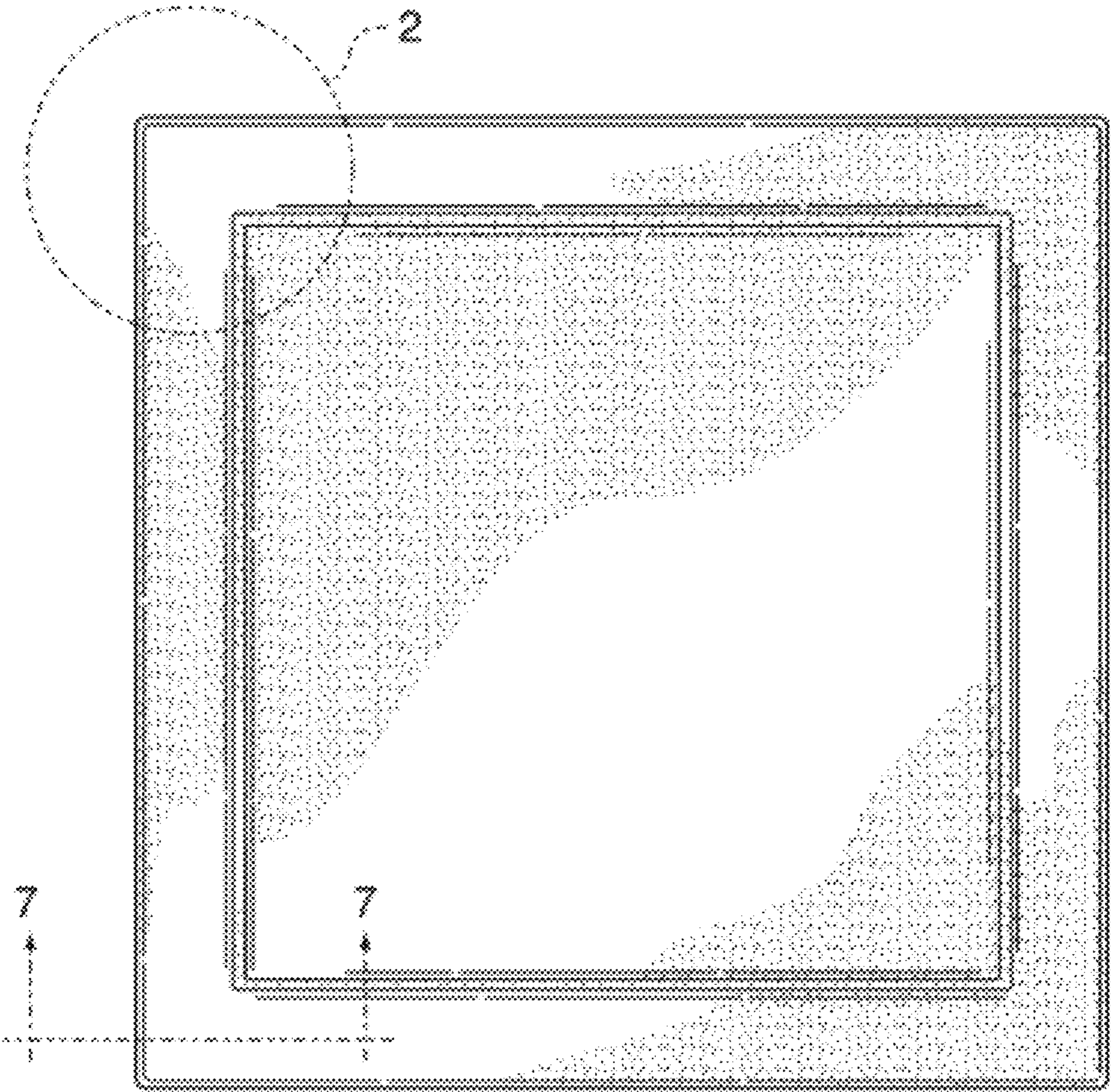


FIG. 1

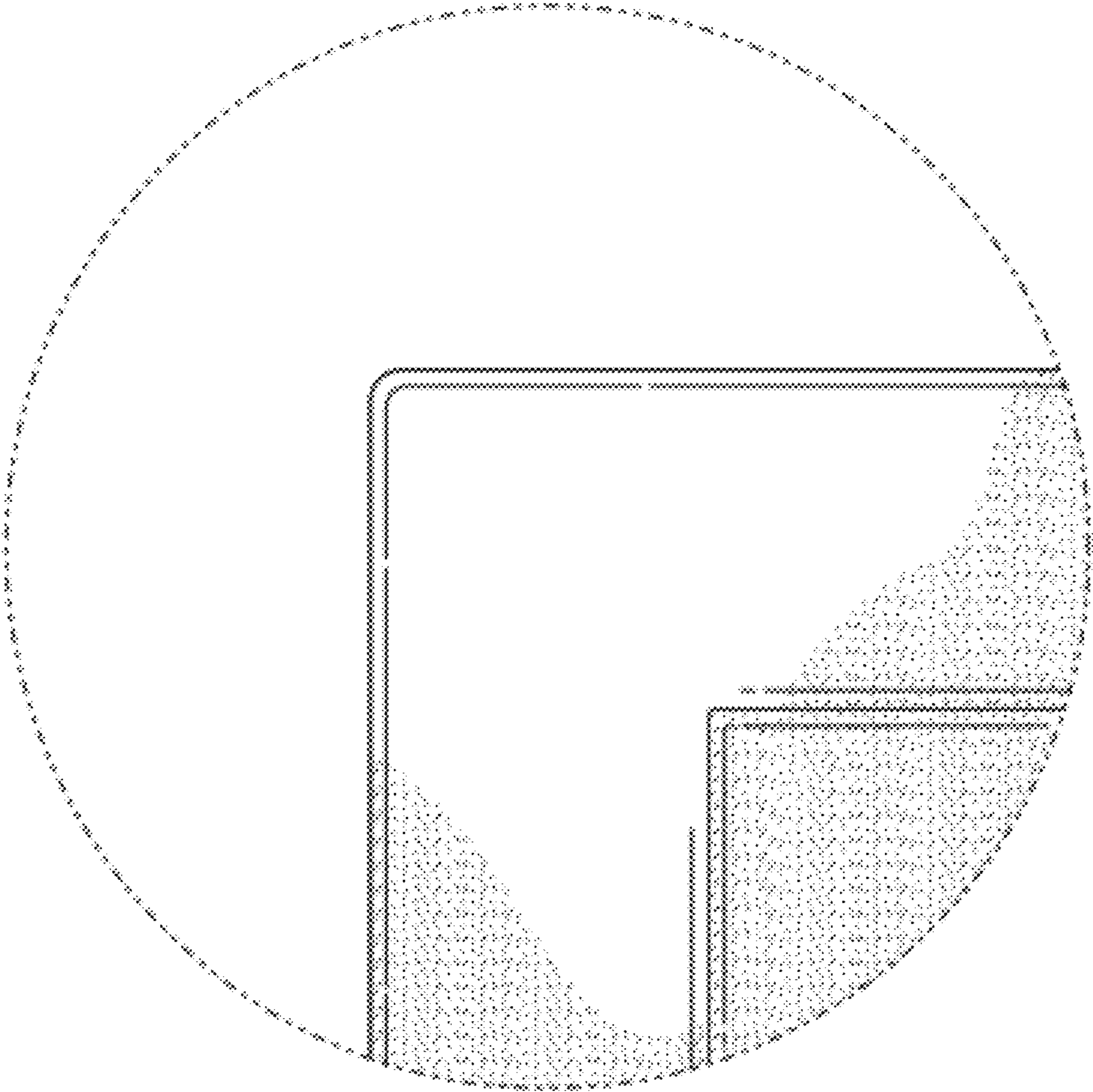


FIG. 2

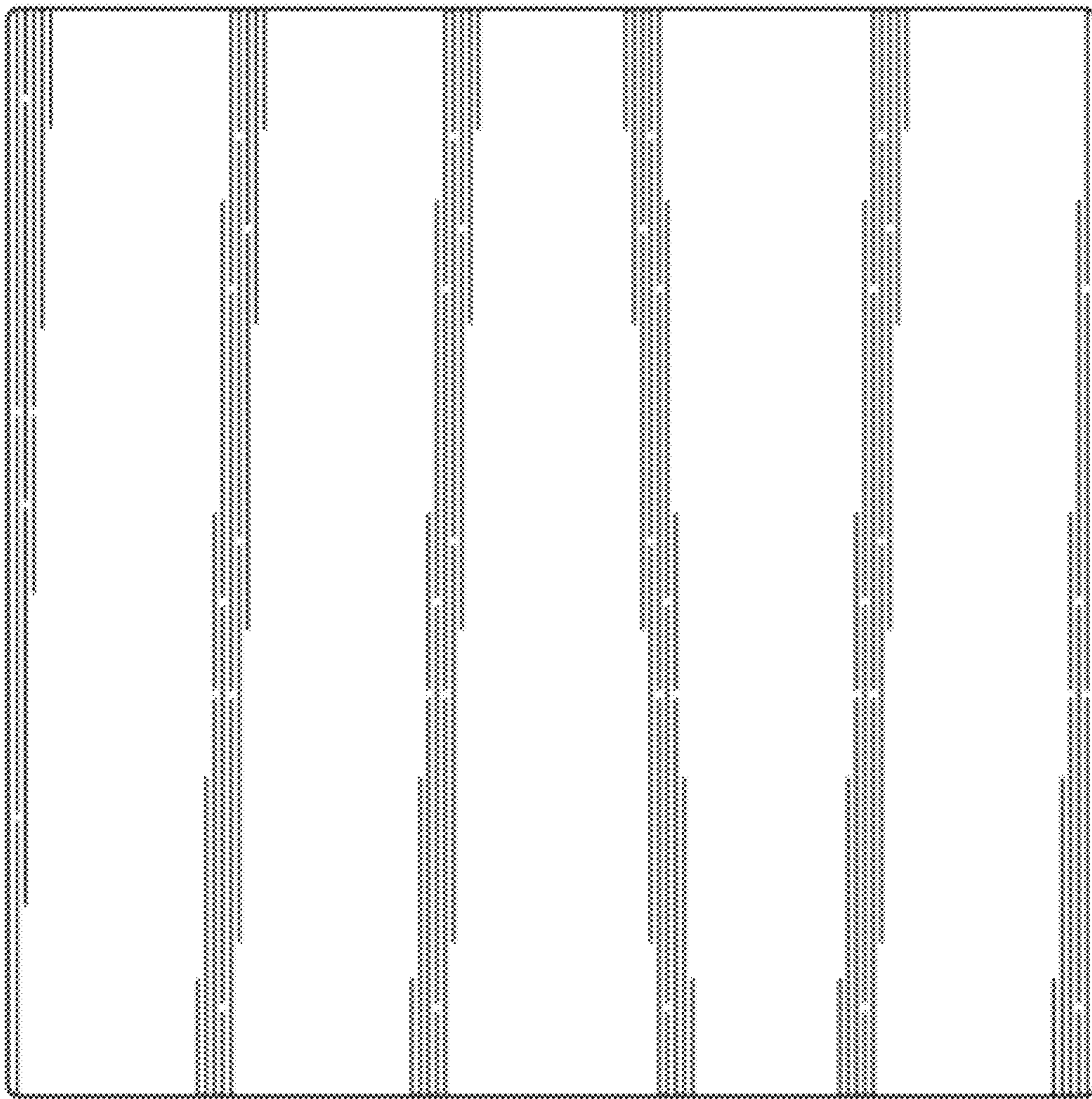


FIG. 3



FIG. 4



FIG. 6



FIG. 5

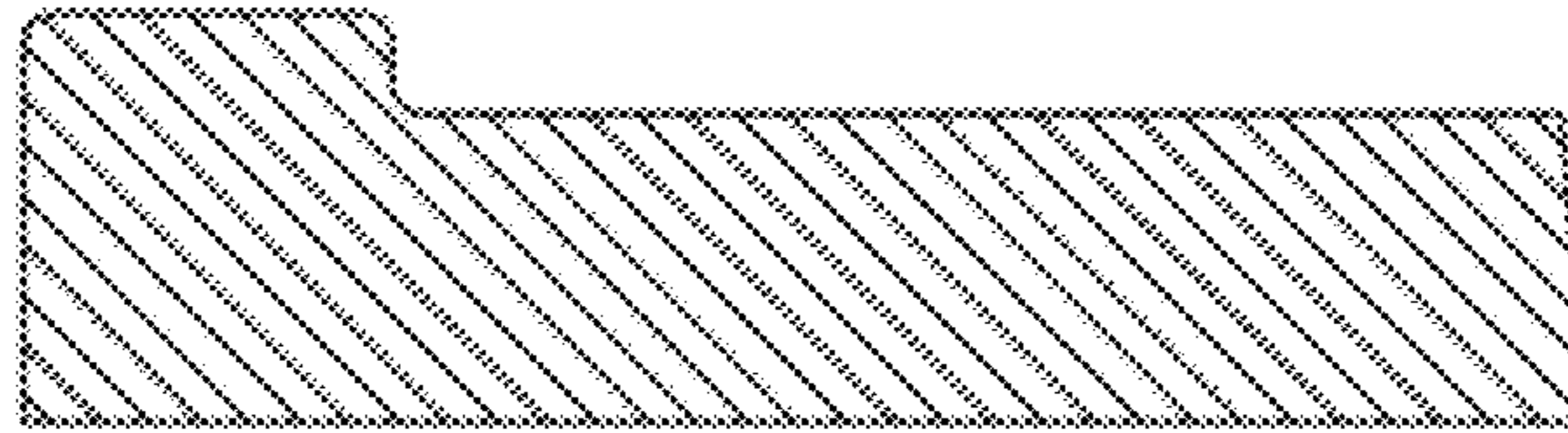


FIG. 7