



US00D663546S

(12) **United States Design Patent**
Jennings

(10) **Patent No.:** **US D663,546 S**
(45) **Date of Patent:** **** Jul. 17, 2012**

(54) **LAP DESK**

(75) Inventor: **Don Micheal Jennings**, Arlington, TX
(US)

(73) Assignee: **Creative Essentials, LLC**, Arlington,
TX (US)

(**) Term: **14 Years**

(21) Appl. No.: **29/389,473**

(22) Filed: **Apr. 12, 2011**

(51) **LOC (9) Cl.** **06-06**

(52) **U.S. Cl.** **D6/406.3**

(58) **Field of Classification Search** D6/406.1-406.6,
D6/426, 429, 440, 451, 489, 510-511; D7/552.1,
D7/552.2, 554.1, 554.4, 550.1, 554.2, 554.3,
D7/566; 211/133.1, 85.31, 126.8, 126; 108/43,
108/157.1, 157.13

See application file for complete search history.

(56) **References Cited**

U.S. PATENT DOCUMENTS

D418,327 S *	1/2000	Sullins et al.	D6/406.3
6,050,200 A *	4/2000	Sullins et al.	108/43
D443,999 S *	6/2001	Cable	D6/406.4
D467,933 S *	12/2002	Hovsepian	D14/458
D499,575 S *	12/2004	Chan	D6/406.3
D512,245 S *	12/2005	Bean et al.	D6/406.3
D517,833 S *	3/2006	Jennings	D6/406.5
D526,810 S *	8/2006	Lorr et al.	D6/406.5
7,207,540 B2 *	4/2007	Thomas	248/346.01

D575,077 S *	8/2008	Kessels	D6/406.3
D583,164 S *	12/2008	Jennings	D6/406.6
D609,027 S *	2/2010	Jennings	D6/406.5
D619,823 S *	7/2010	Jennings	D6/406.3
D624,922 S *	10/2010	Hui et al.	D14/447

* cited by examiner

Primary Examiner — Elizabeth Albert

Assistant Examiner — Kelley Donnelly

(74) *Attorney, Agent, or Firm* — Locke Lord, LLP

(57) **CLAIM**

The ornamental design for a lap desk, as shown and described.

DESCRIPTION

FIG. 1 is a top side perspective view of a “lap desk” in a closed position;

FIG. 2 is a front and top view thereof with the top lid and hatch in an open position;

FIG. 3 is a side view thereof with the top lid in an open position;

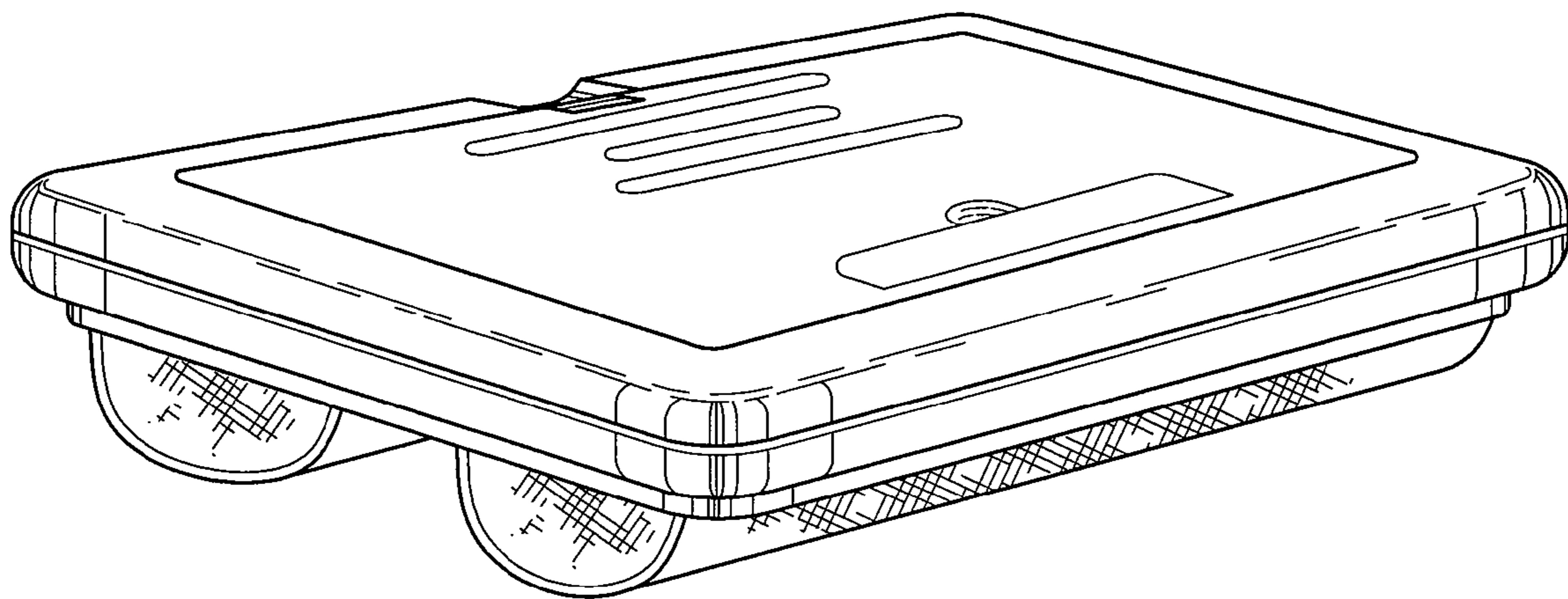
FIG. 4 is a front view thereof with the top lid in a partially open position; and,

FIG. 5 is a bottom view thereof in a closed position.

The cross-hatched shading illustrated on the bottom of the lap desk in FIGS. 1-5 represents a type of surface material and is understood to be distributed uniformly over the surfaces on which it is only partially shown.

The broken lines are included for the purpose of illustrating the environment of the design only and form no part of the claimed design.

1 Claim, 4 Drawing Sheets



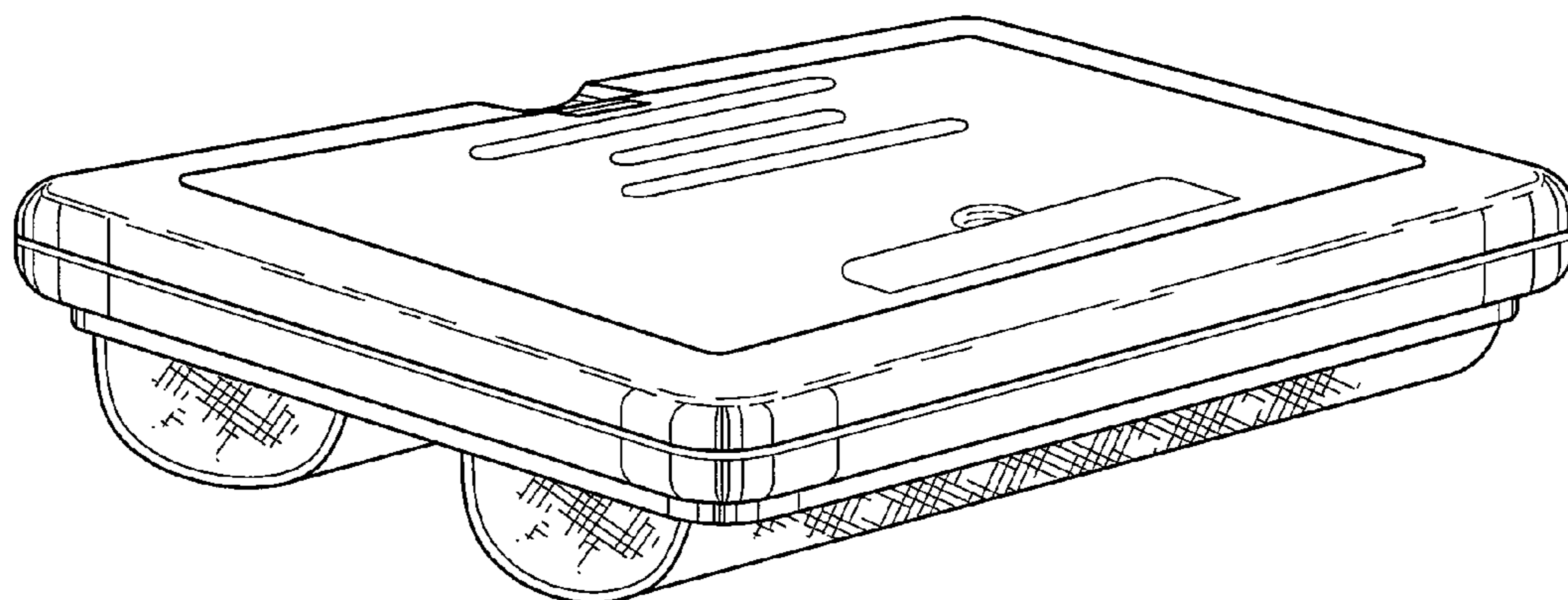


FIG. 1

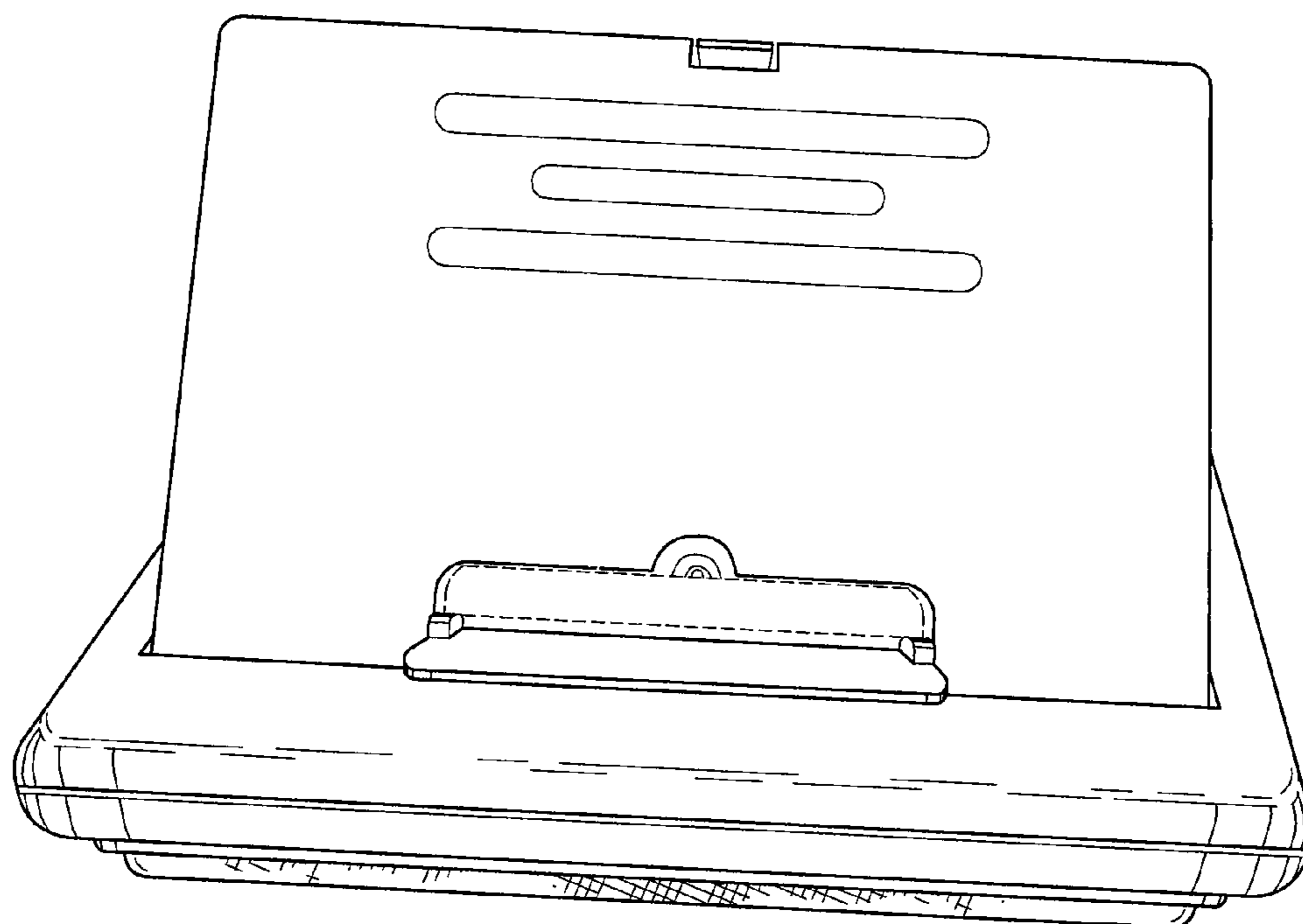


FIG. 2

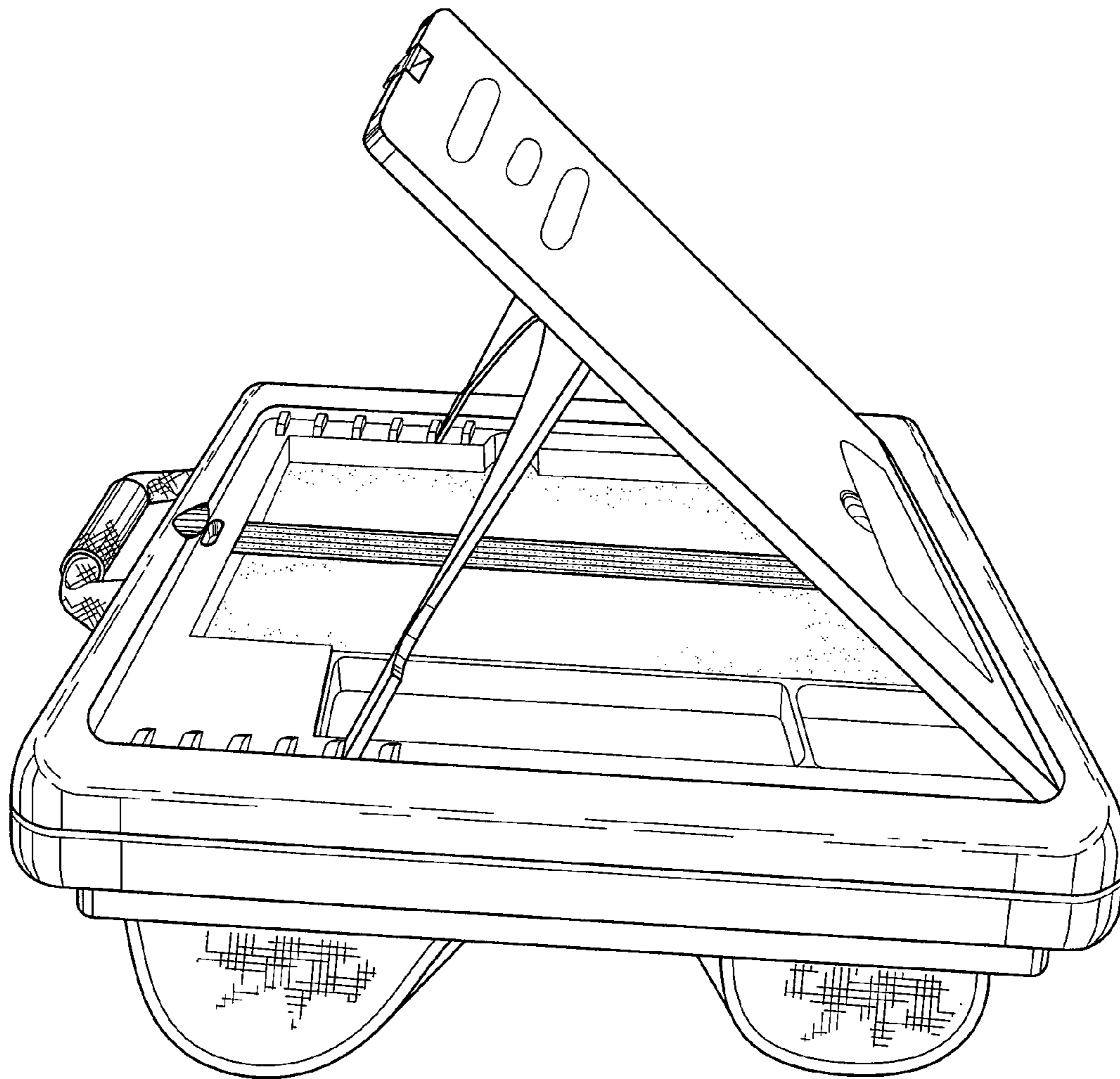


FIG. 3

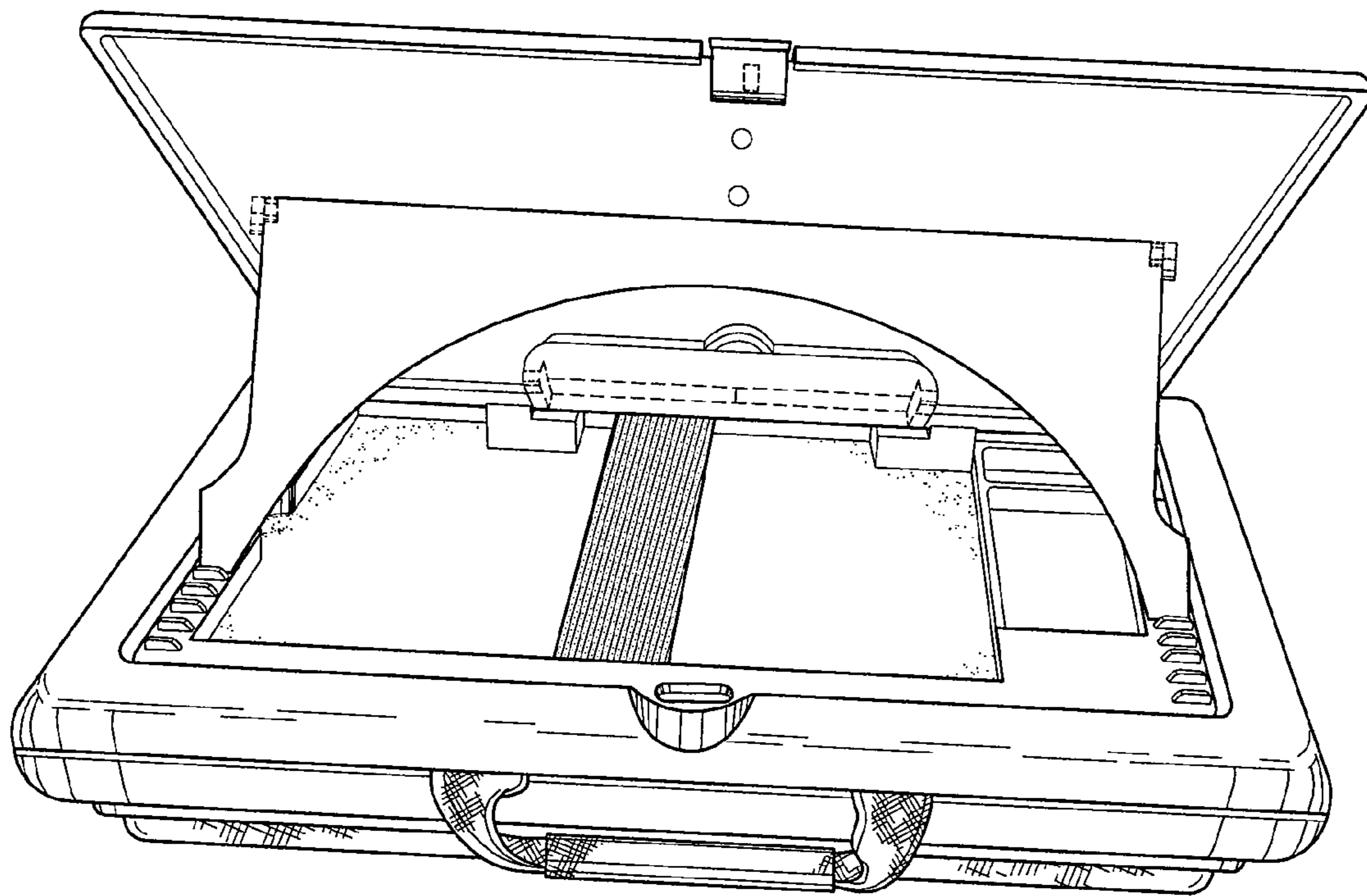


FIG. 4

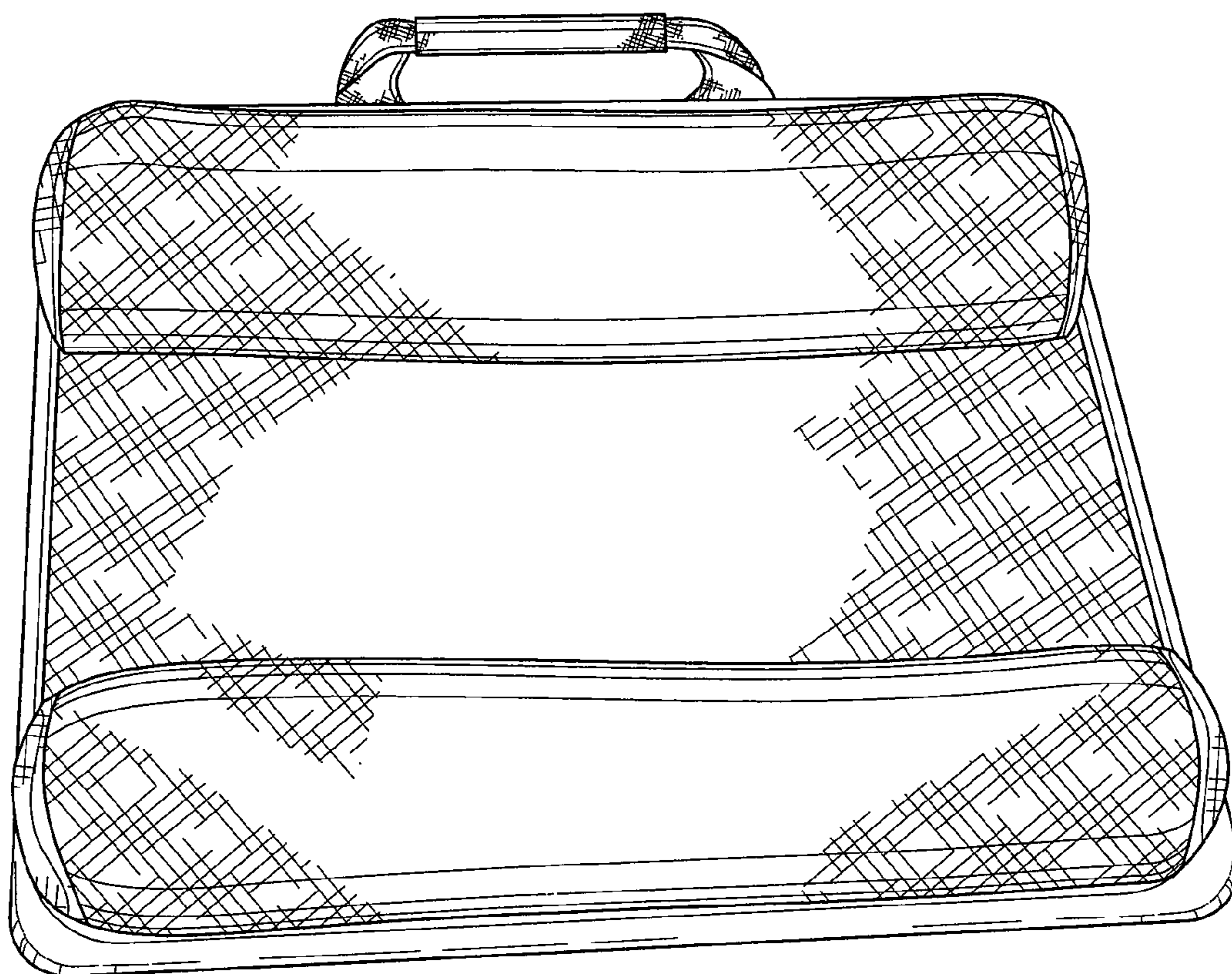


FIG. 5