



US00D663544S

(12) **United States Design Patent**
McCarty et al.

(10) **Patent No.:** **US D663,544 S**

(45) **Date of Patent:** **** *Jul. 17, 2012**

(54) **ADJUSTABLE ELECTRICAL BED**

(56) **References Cited**

(75) Inventors: **Philip Woods McCarty**, Natick, MA
(US); **Philip Reid Sherman**, Melville,
NY (US); **Chuan-Hang Shih**, Changhua
County (TW)

U.S. PATENT DOCUMENTS

1,153,120	A *	9/1915	Lackey	5/722
1,592,146	A *	7/1926	Miller et al.	5/722
4,275,473	A *	6/1981	Poirier	5/420
5,109,558	A *	5/1992	Di Blasi	5/611
5,669,089	A *	9/1997	Dees	5/419
2004/0074002	A1 *	4/2004	Bannister	5/613
2008/0120777	A1 *	5/2008	Rawls-Meehan	5/600

(73) Assignees: **Ruoey Lung Enterprise Corp.**,
Changhua County (TW); **PPJ. LLC**,
Natick, MA (US)

* cited by examiner

(*) Notice: This patent is subject to a terminal disclaimer.

Primary Examiner — Janice Seeger

(**) Term: **14 Years**

(57) **CLAIM**

The ornamental design for an adjustable electrical bed, as shown and described.

(21) Appl. No.: **29/405,881**

DESCRIPTION

(22) Filed: **Nov. 8, 2011**

(51) **LOC (9) Cl.** **06-02**

(52) **U.S. Cl.** **D6/392**

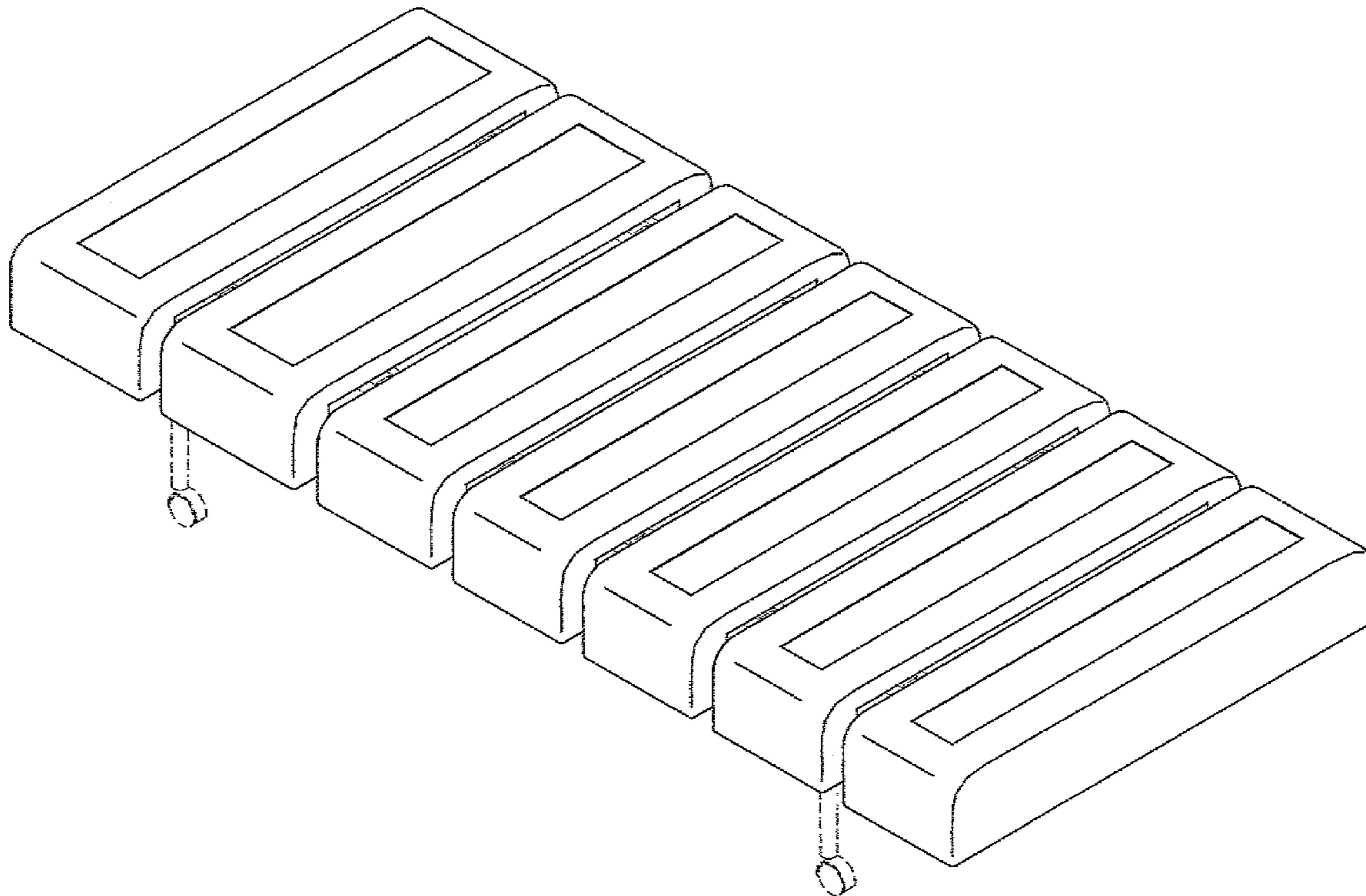
(58) **Field of Classification Search** D6/595,
D6/596, 601, 605, 382-384, 392, 361; 5/600,
5/607, 613, 616, 618, 620, 149, 420, 722

FIG. 1 shows a perspective view of the present design.
FIG. 2 shows a top view of the present design.
FIG. 3 shows a front view of the present design.
FIG. 4 shows a right view of the present design; and,
FIG. 5 is a perspective view showing the bed in a folded condition.

The broken lines are for environmental purposes only and form no part of the claimed design.

See application file for complete search history.

1 Claim, 5 Drawing Sheets



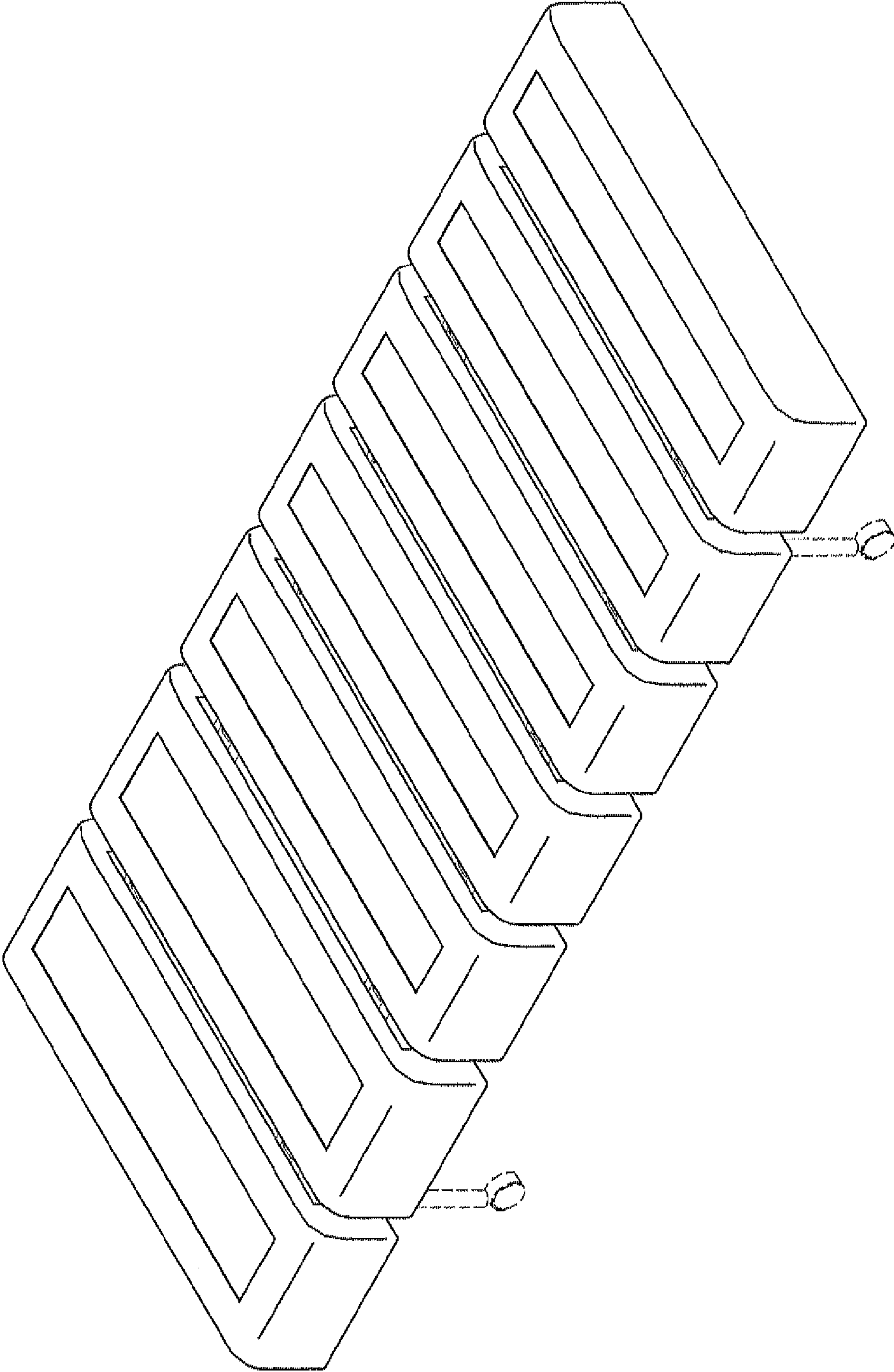


FIG. 1

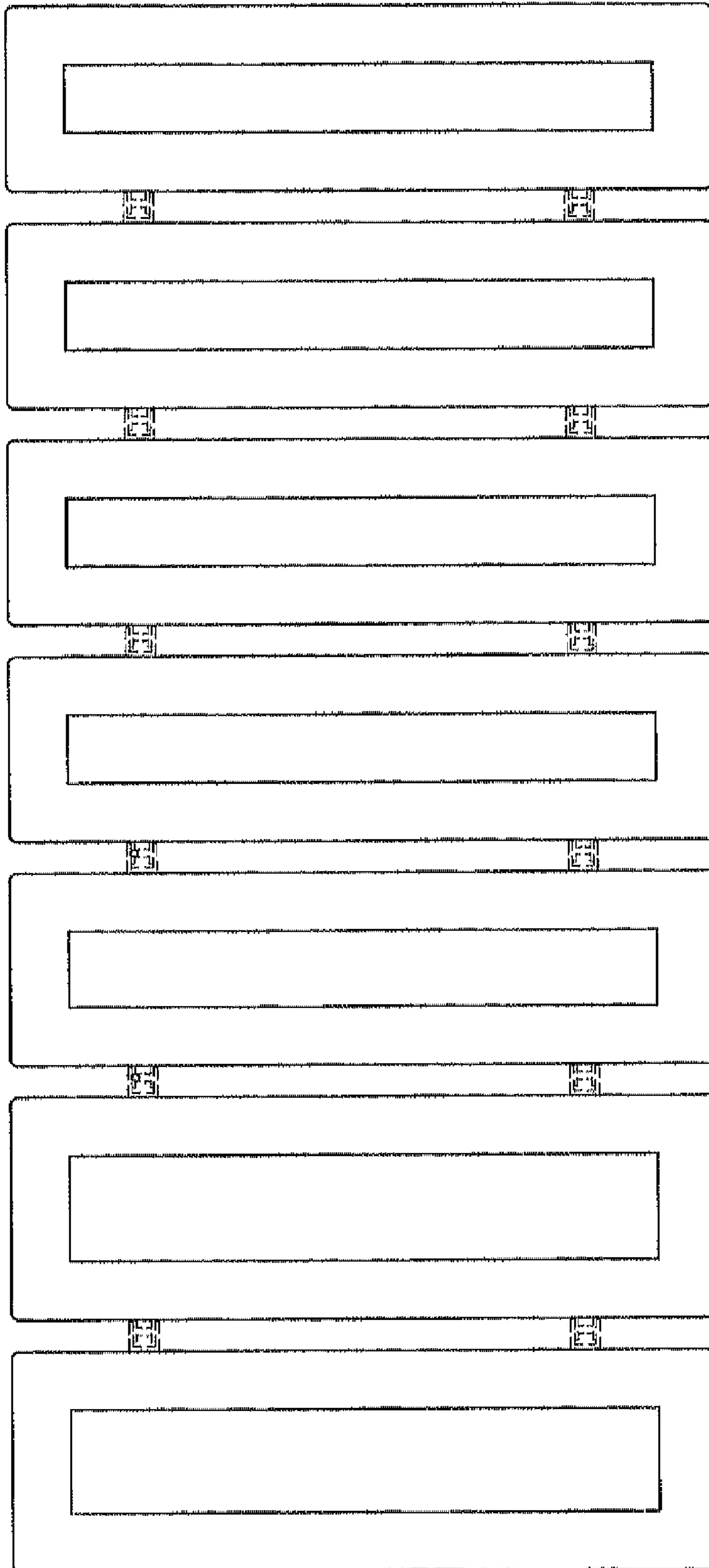


FIG. 2

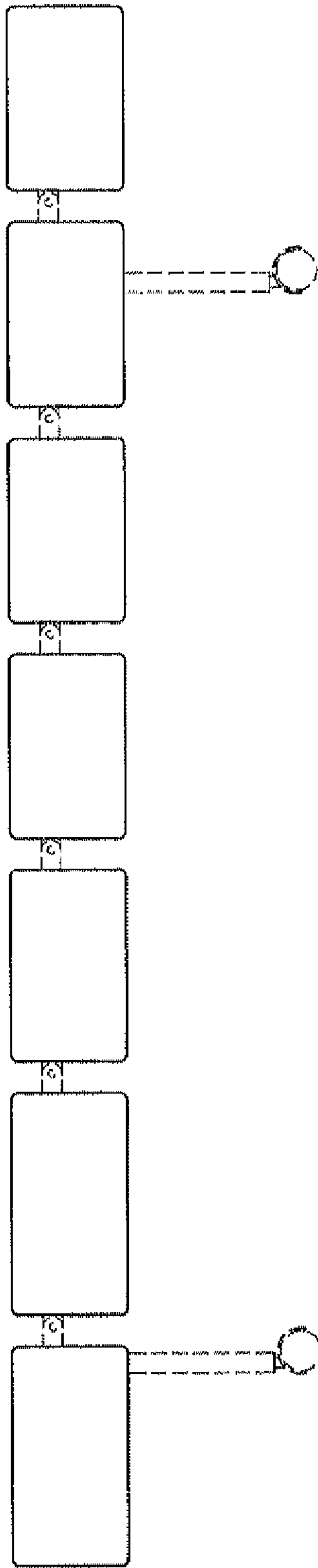


FIG. 3

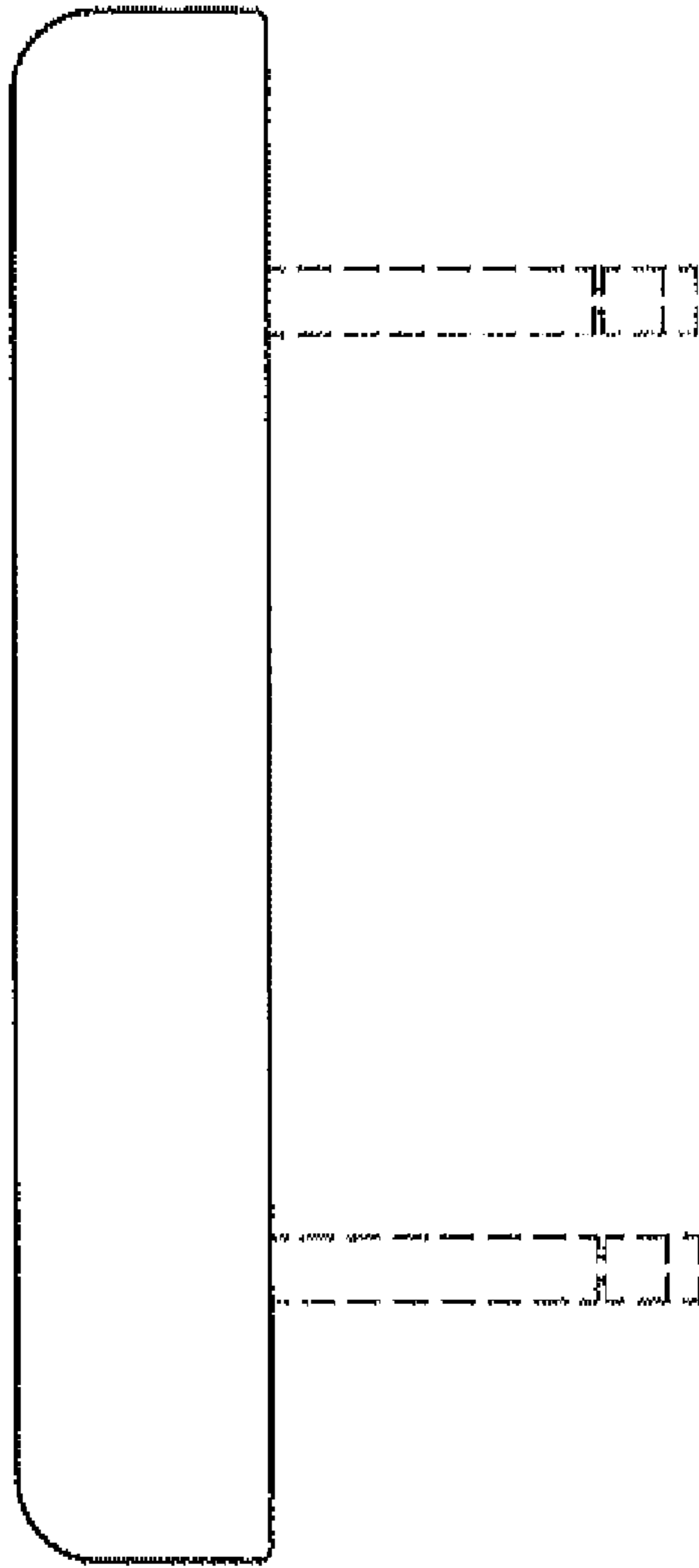


FIG. 4

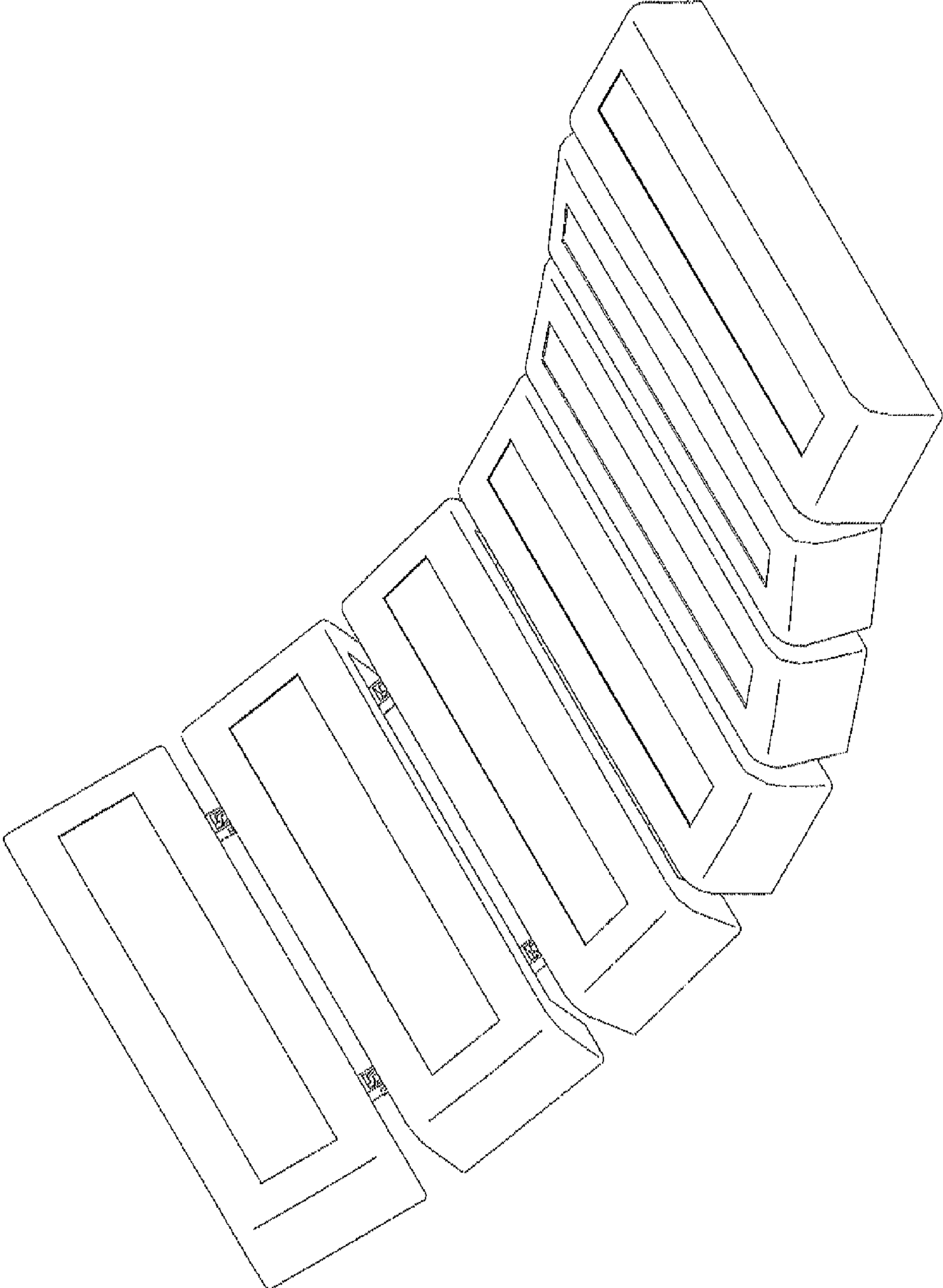


FIG. 5

UNITED STATES PATENT AND TRADEMARK OFFICE
CERTIFICATE OF CORRECTION

PATENT NO. : D663,544 S
APPLICATION NO. : 29/405881
DATED : July 17, 2012
INVENTOR(S) : Philip W. McCarty, Philip R. Sherman and Chuan-Hang Shih

Page 1 of 1

It is certified that error appears in the above-identified patent and that said Letters Patent is hereby corrected as shown below:

Title Page, (73) Assignee should read:

Ruoey Lung Enterprise Corp., Changhua County, Taiwan

Signed and Sealed this
Sixth Day of January, 2015



Michelle K. Lee
Deputy Director of the United States Patent and Trademark Office