



US00D663541S

(12) **United States Design Patent**
Onopa

(10) **Patent No.:** **US D663,541 S**

(45) **Date of Patent:** **** Jul. 17, 2012**

(54) **COMBINATION SITTING AND STANDING CHAIR**

(76) Inventor: **Paul Onopa**, Vulcan, MI (US)

(**) Term: **14 Years**

(21) Appl. No.: **29/394,161**

(22) Filed: **Jun. 14, 2011**

(51) **LOC (9) Cl.** **06-01**

(52) **U.S. Cl.** **D6/360**

(58) **Field of Classification Search** D6/334-336,
D6/360, 364, 366, 367, 374, 495, 499, 500-502;
297/344.18, 344.19, 344.21, 423.1, 445.1,
297/446.1, 452.2; 601/23, 24; D21/690
See application file for complete search history.

(56) **References Cited**

U.S. PATENT DOCUMENTS

4,349,195	A	9/1982	Johnston	
4,366,981	A	1/1983	Ziegler et al.	
4,690,459	A *	9/1987	Ullman	297/423.1
4,768,831	A *	9/1988	Liedberg et al.	297/344.19
4,932,719	A	6/1990	Gonzalez y. Rojas	
5,060,754	A	10/1991	Feick	
D329,538	S	9/1992	Rau	
5,199,763	A	4/1993	Wilder et al.	
D336,790	S	6/1993	Louers	
D369,246	S *	4/1996	Schaevitz	D6/364
D374,559	S *	10/1996	Oelke	D6/360
D530,932	S *	10/2006	Hieshetter	D6/360

D540,048 S * 4/2007 Llusca D6/360
7,594,696 B2 9/2009 Girard
2002/0171283 A1 11/2002 Liebeskind

* cited by examiner

Primary Examiner — Mimoso De

(74) *Attorney, Agent, or Firm* — Absolute Technology Law Group, LLC

(57) **CLAIM**

The ornamental design for a combination sitting and standing chair, as shown and described.

DESCRIPTION

FIG. 1 is a perspective view of a combination sitting and standing chair showing my new design with the floor plate extended;

FIG. 2 is a perspective view thereof with the floor plate folded;

FIG. 3 is a left side elevational view thereof with the floor plate extended, the right side being a substantial image;

FIG. 4 is a left side elevational view thereof with the floor plate folded, the right side being a substantial image;

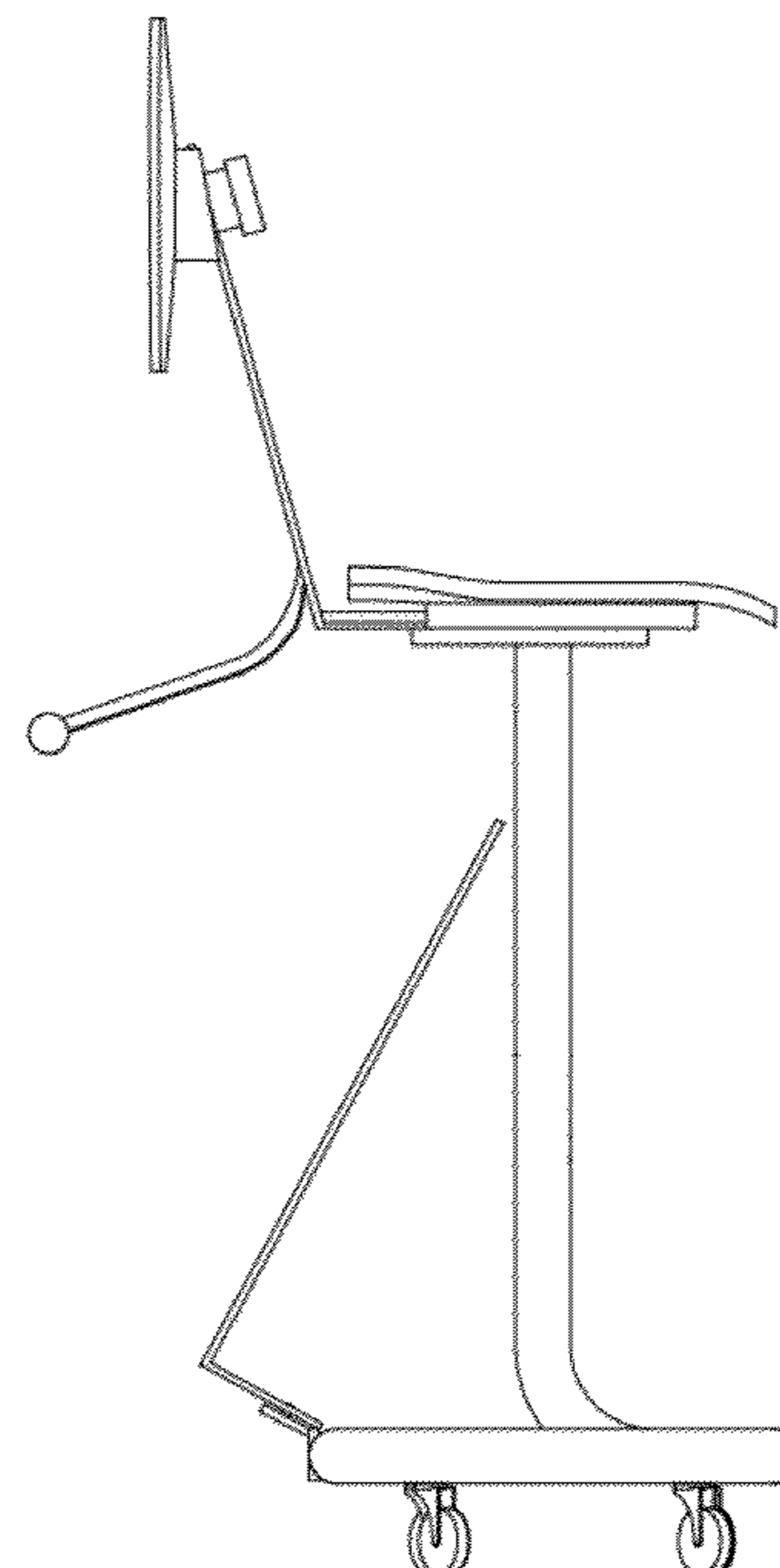
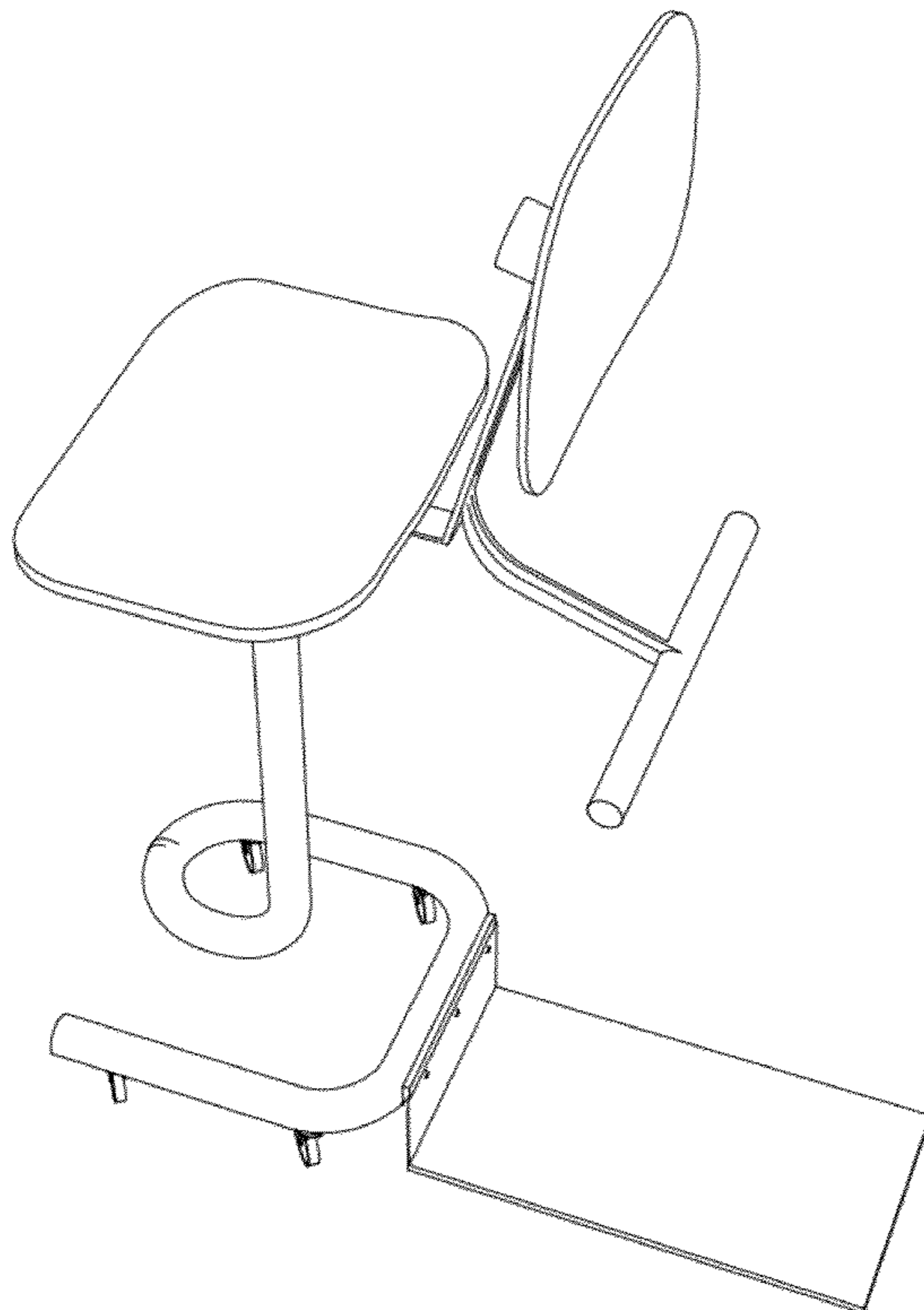
FIG. 5 is a front elevational view thereof with the floor plate extended;

FIG. 6 is a rear elevational view thereof;

FIG. 7 is a top plan view thereof; and,

FIG. 8 is a left side elevational view thereof with the chair back reversed.

1 Claim, 8 Drawing Sheets



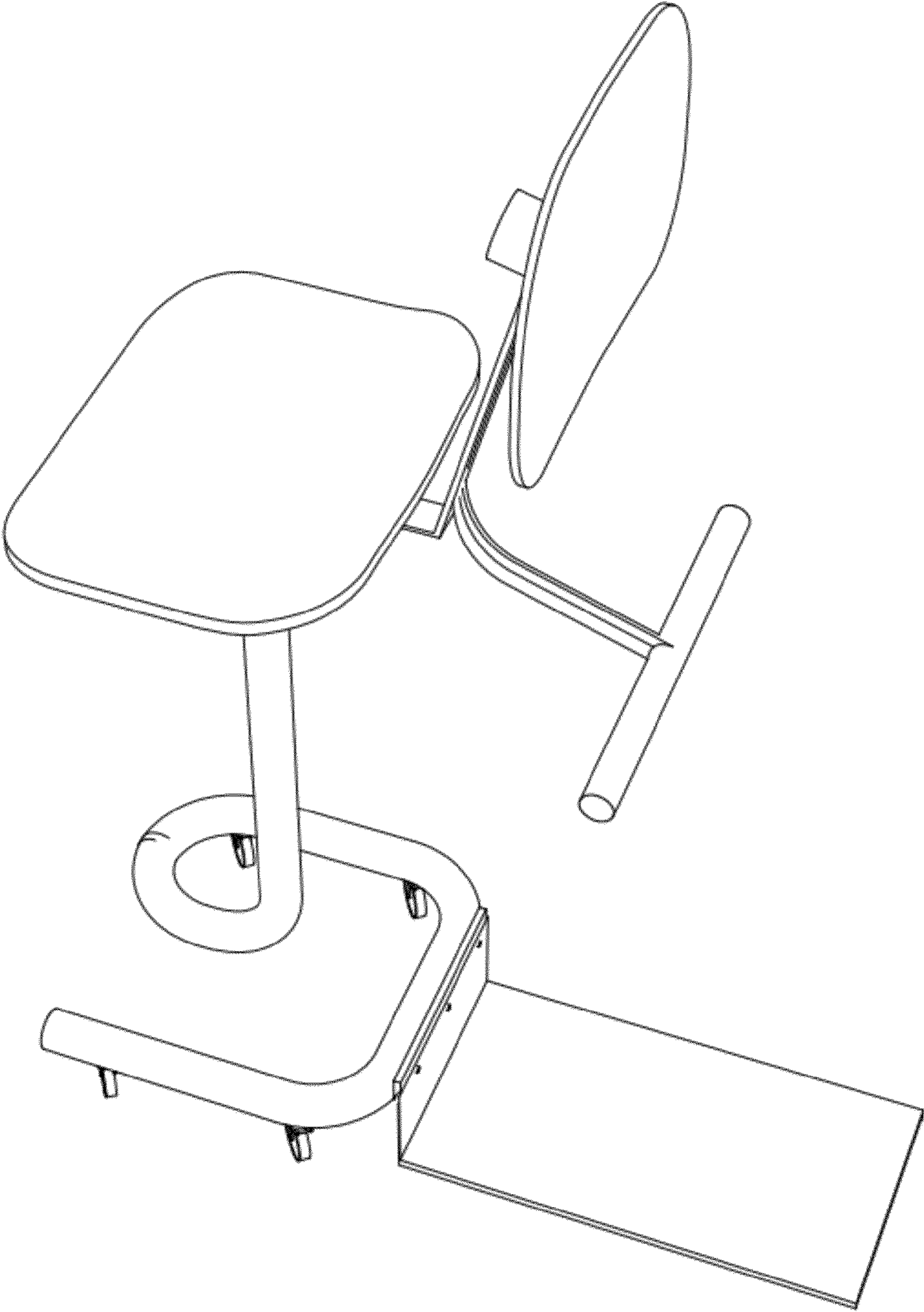


FIG. 1

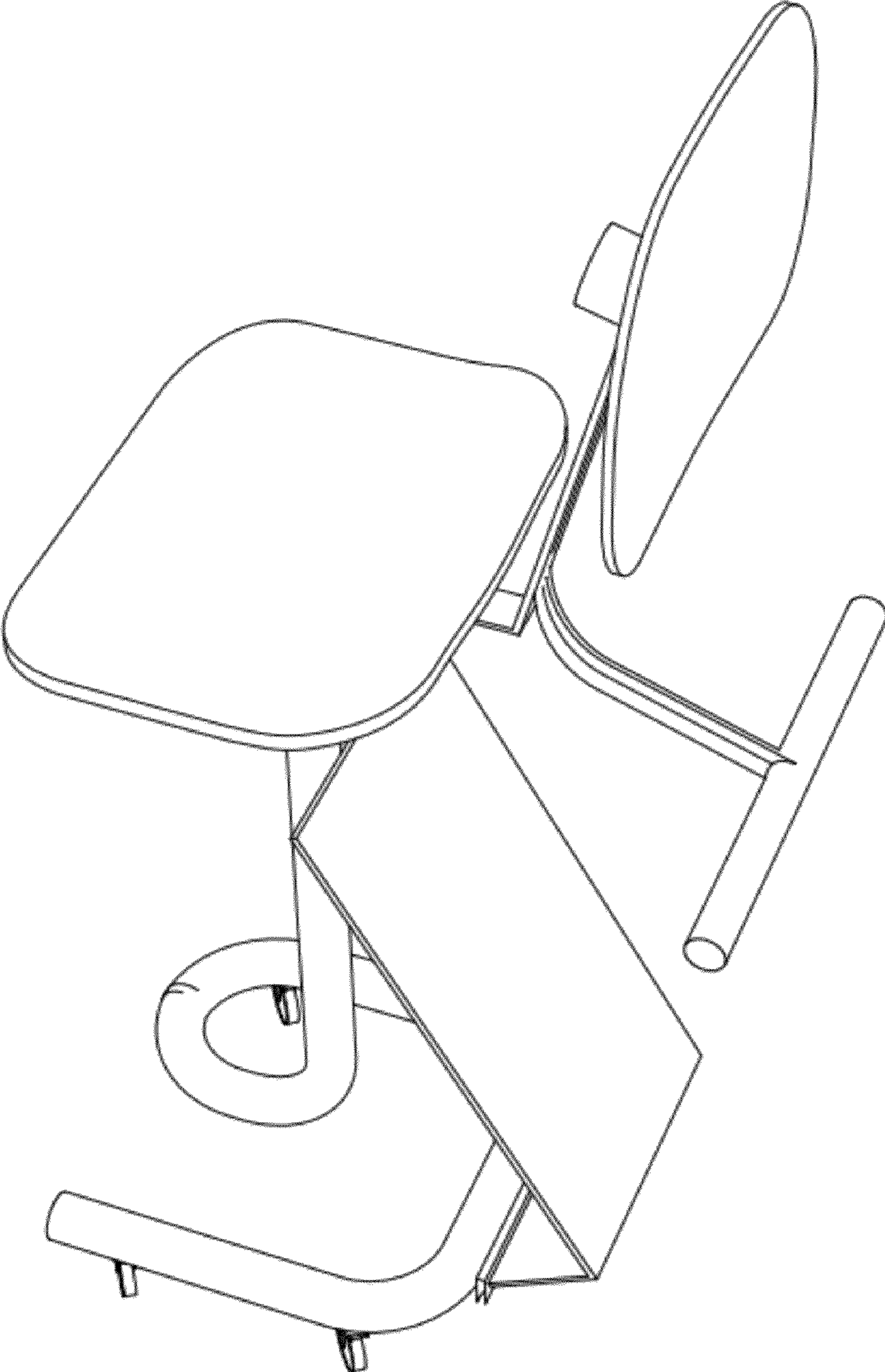


FIG. 2

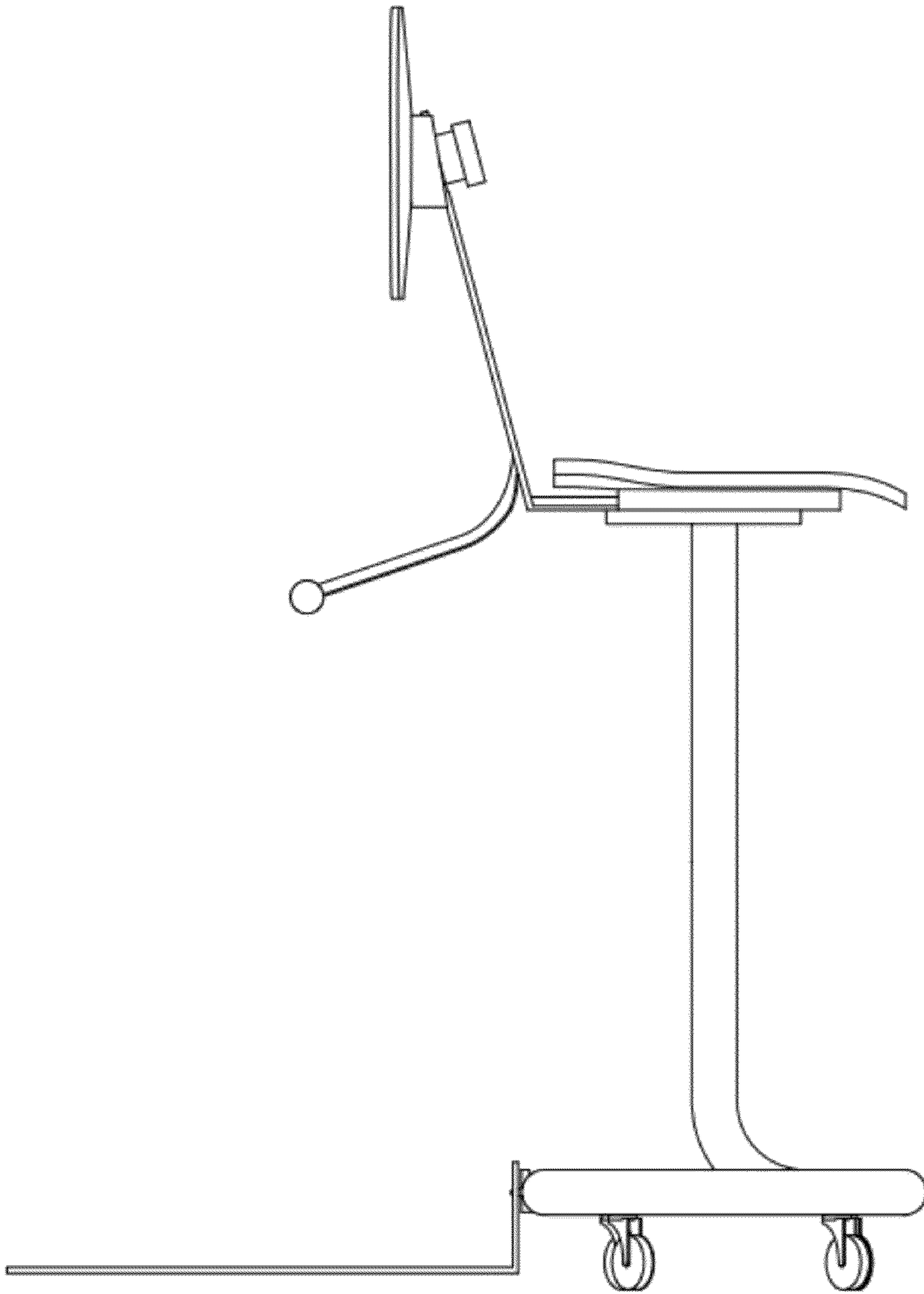


FIG. 3

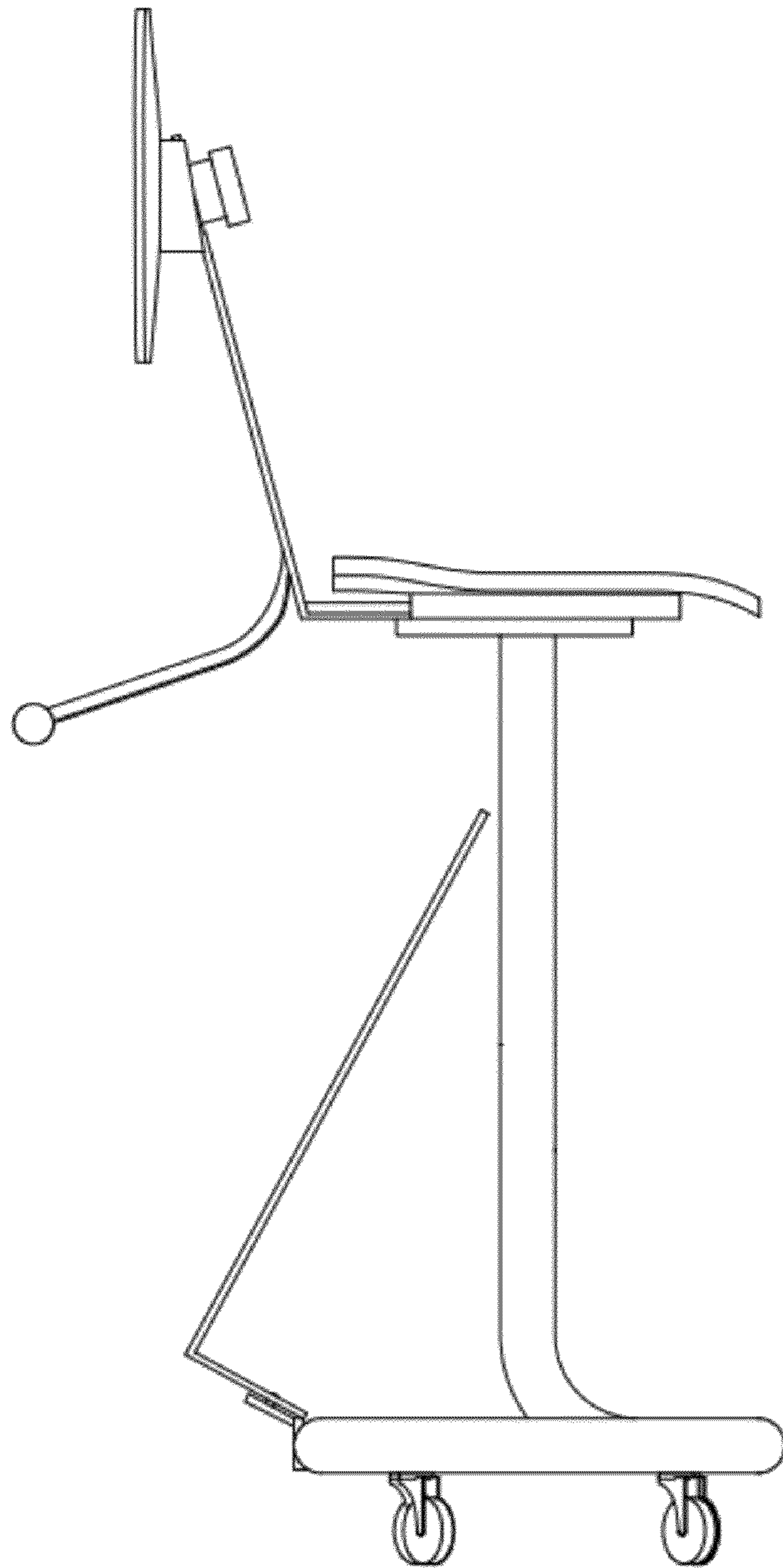


FIG. 4

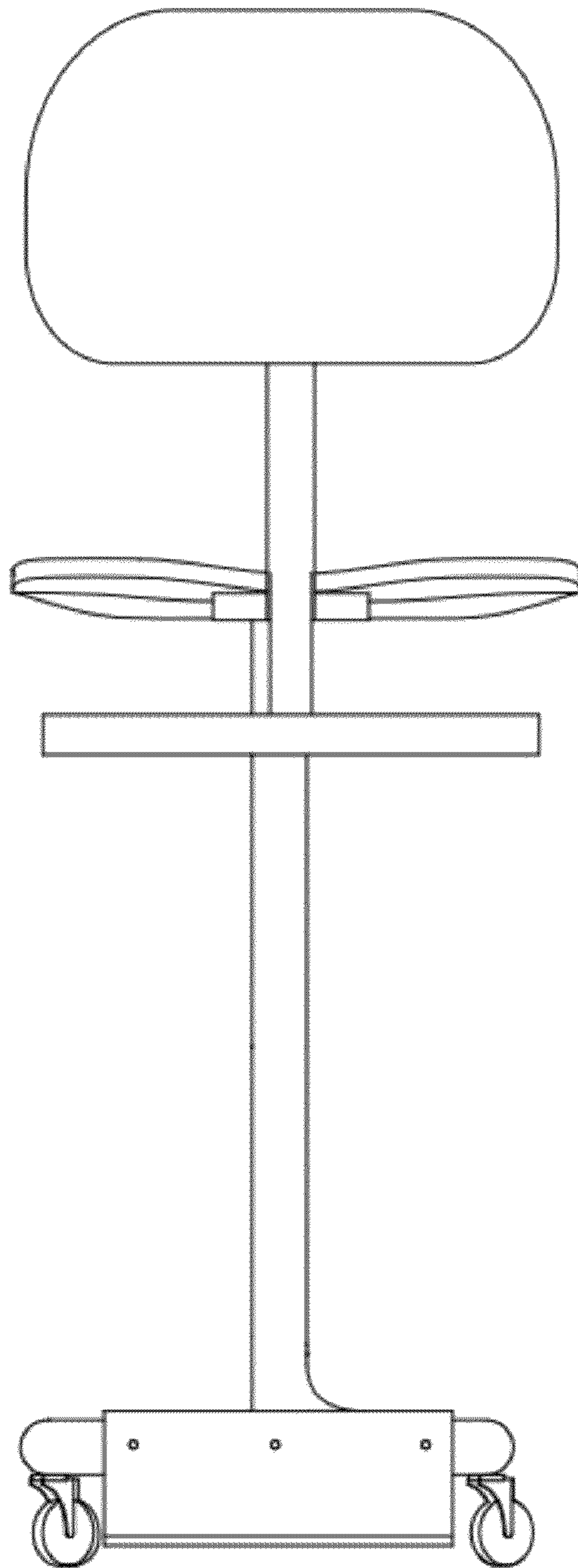


FIG. 5

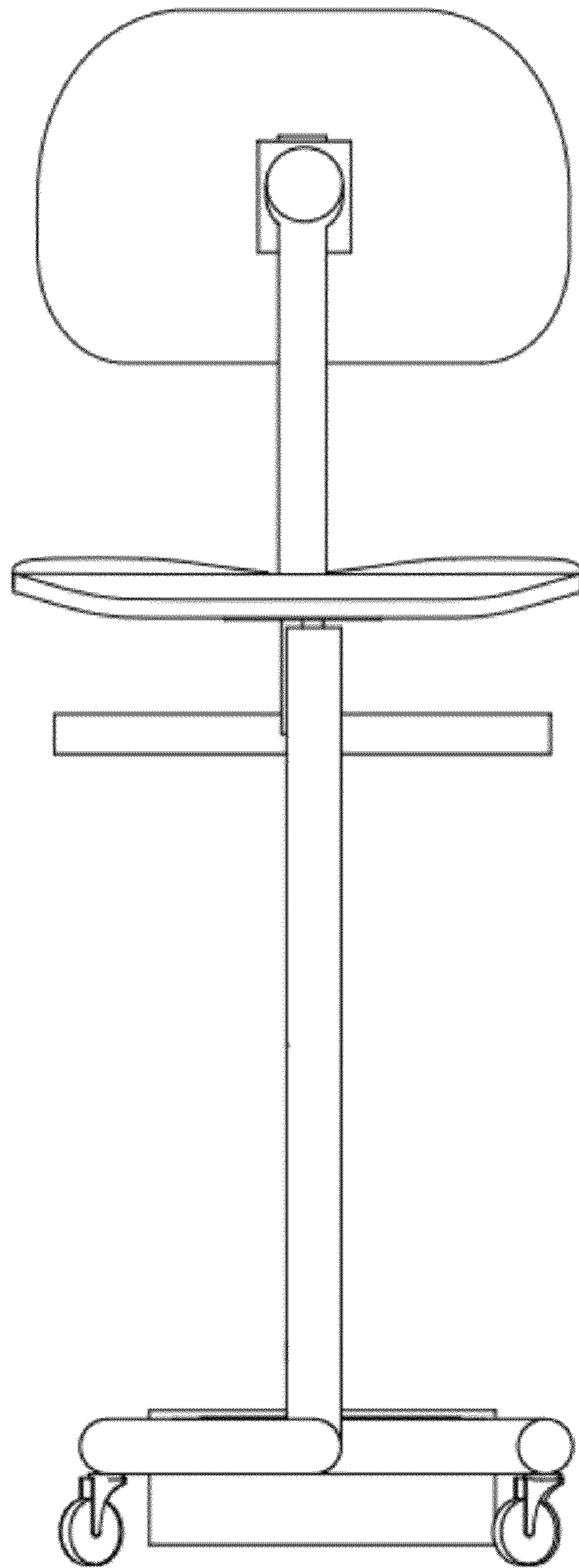


FIG. 6

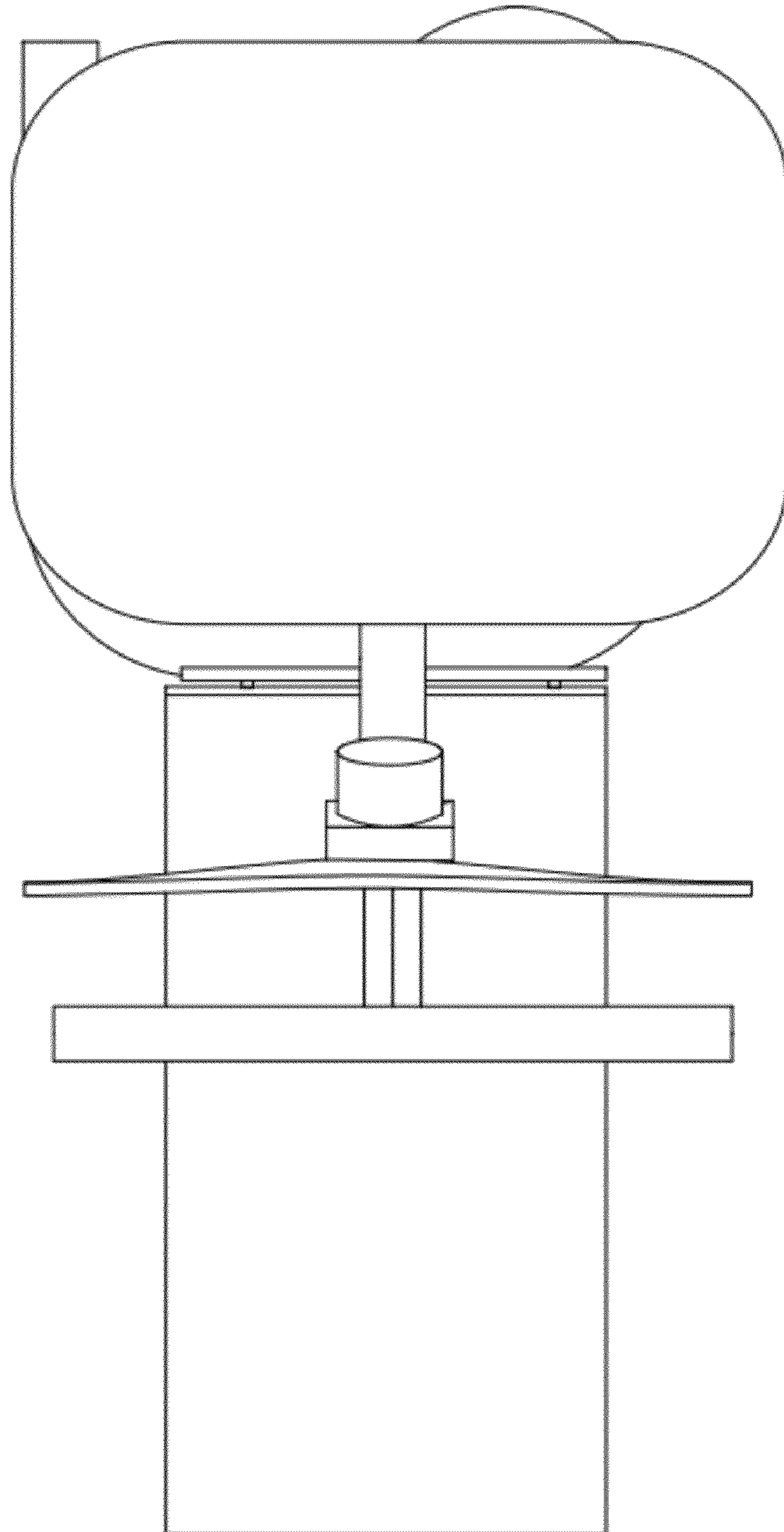


FIG. 7

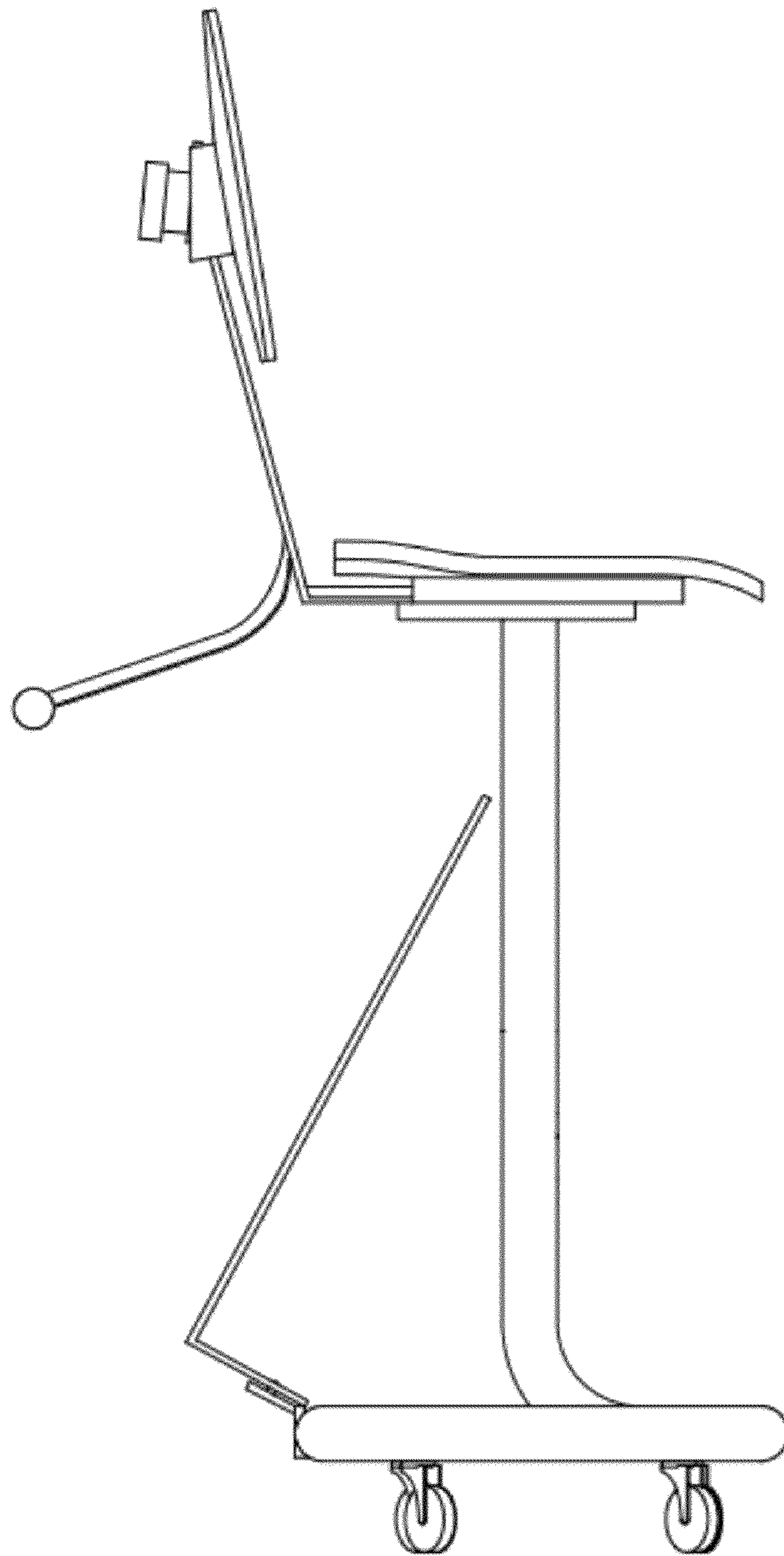


FIG. 8