



US00D663538S

(12) **United States Design Patent**
Urwin

(10) **Patent No.:** **US D663,538 S**

(45) **Date of Patent:** **** Jul. 17, 2012**

(54) **WOODEN TOY WITH MULTIPLE USES**

(75) Inventor: **Nick Urwin**, Cornwall (GB)

(73) Assignee: **Rokka Play Ltd.**, Plymouth (GB)

(**) Term: **14 Years**

(21) Appl. No.: **29/378,982**

(22) Filed: **Nov. 12, 2010**

(51) **LOC (9) Cl.** **06-01**

(52) **U.S. Cl.** **D6/338; D6/348; D21/412; D21/419**

(58) **Field of Classification Search** D21/398,
D21/412, 414-418, 419, 424-434, 519-522,
D21/811, 814, 823, 828-833; D6/329, 333-338,
D6/344-348, 353, 357-360, 371, 374, 383-386,
D6/397, 405, 421, 429, 449-453, 474; 446/71,
446/228, 396, 491; 297/1-3, 92, 93, 118-123,
297/130, 131, 157.1, 158.1, 181, 217.1, 245,
297/247, 258.1, 270.1, 270.5, 271.1, 271.5,
297/271.6, 283.1; 472/95, 101, 102, 106,
472/108, 114, 125, 135

See application file for complete search history.

(56) **References Cited**

U.S. PATENT DOCUMENTS

1,441,940	A *	1/1923	Nafe	472/114
1,536,467	A *	5/1925	Beavers	472/114
D72,874	S *	6/1927	Sundbeck	D21/414
2,097,905	A *	11/1937	Weaver	297/245
2,225,723	A *	12/1940	Spitzwieser	297/158.3
D136,165	S *	8/1943	Reach	D6/348

2,362,685	A *	11/1944	Damsted	297/243
D142,266	S *	8/1945	Vandevanter	D6/384
D248,516	S *	7/1978	Johansson	D6/335
D269,566	S *	7/1983	Sexton	D6/348
D278,293	S *	4/1985	Strang	D6/348
4,783,118	A *	11/1988	Ryan et al.	297/3
5,085,486	A *	2/1992	Johnson	297/3
D441,553	S *	5/2001	Ware, Sr.	D6/335

* cited by examiner

Primary Examiner — Catherine Tuttle

(74) *Attorney, Agent, or Firm* — Kimberly A. Chasteen

(57) **CLAIM**

The ornamental design for a wooden toy with multiple uses, as shown.

DESCRIPTION

FIG. 1 is a side view of the wooden toy with multiple uses showing my new design, the opposite side being a mirror image thereof;

FIG. 2 is an inverted bottom and side perspective view of FIG. 1;

FIG. 3 is an end, top and side perspective view of FIG. 1;

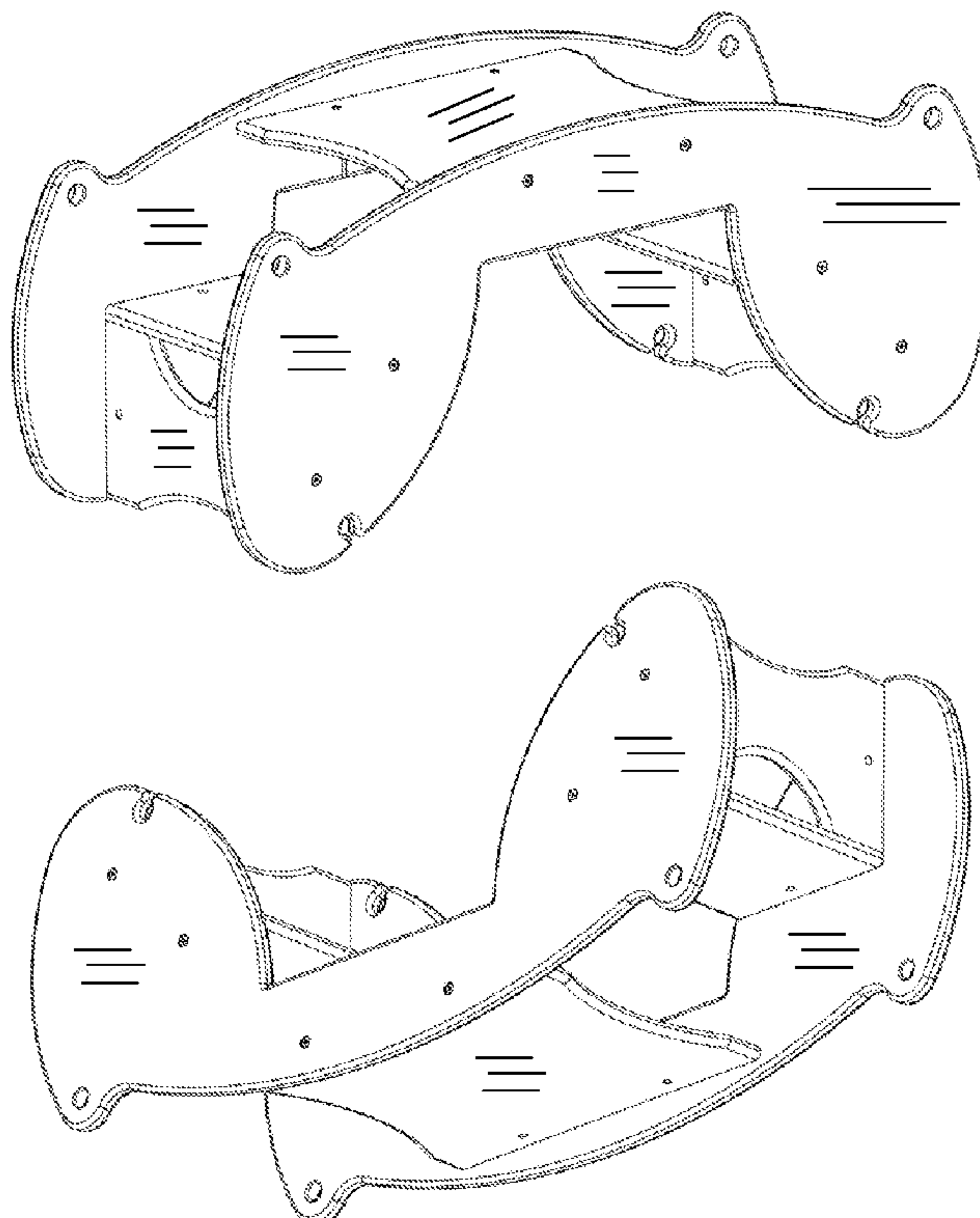
FIG. 4 is a bottom view of FIG. 1;

FIG. 5 is another bottom and side perspective view of FIG. 1;

FIG. 6 is an inverted end view of FIG. 1, the opposite end view being identical thereto; and,

FIG. 7 is an inverted side, top and end perspective view of FIG. 1.

1 Claim, 4 Drawing Sheets



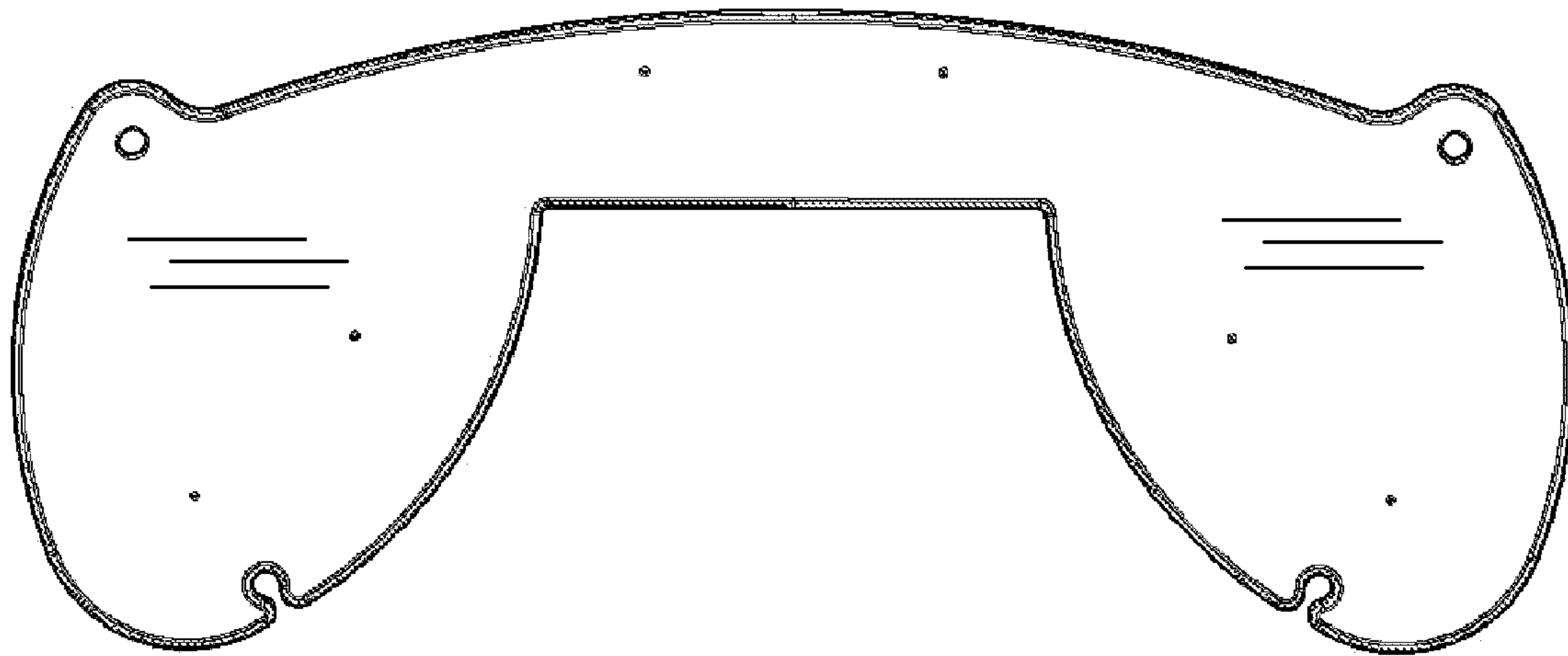


FIG. 1

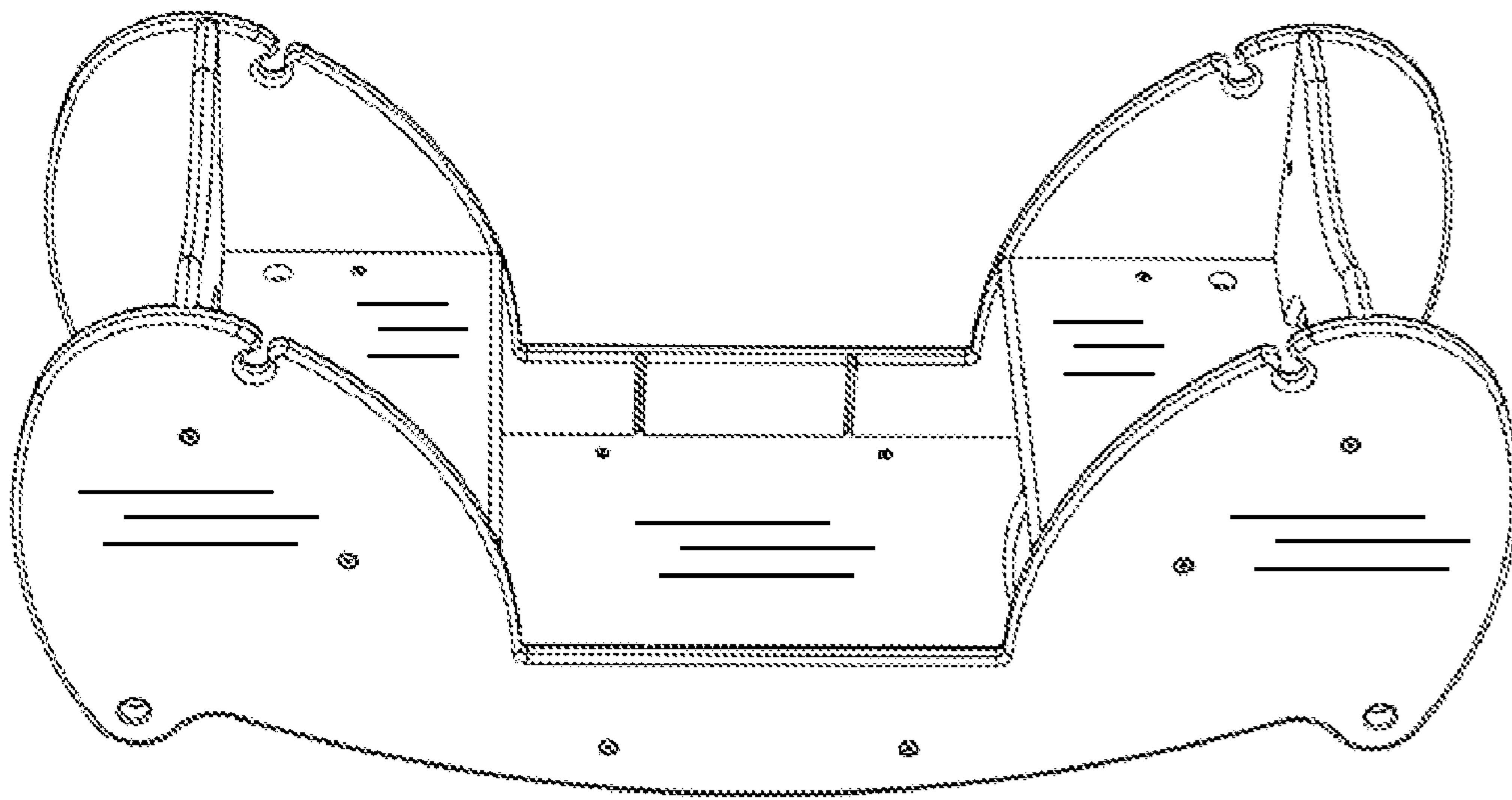


FIG. 2

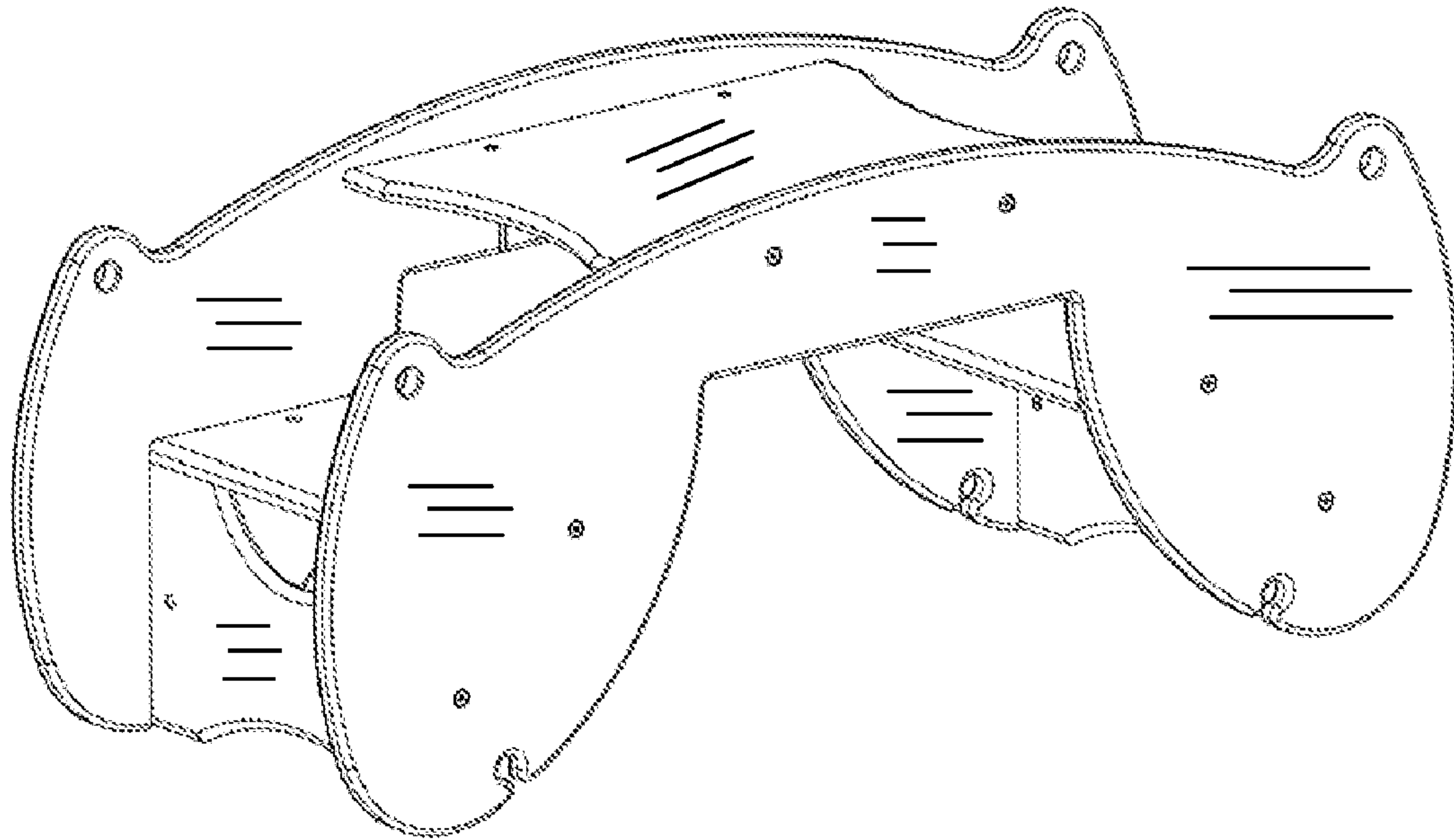


FIG. 3

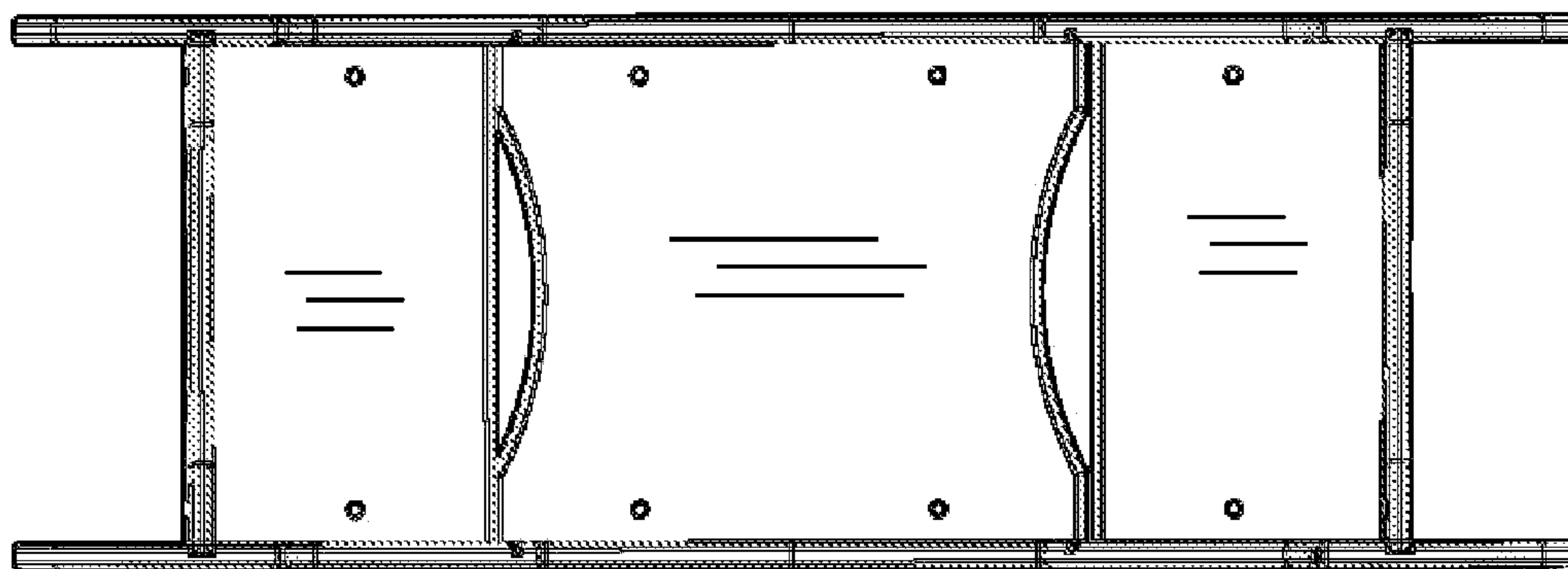


FIG. 4

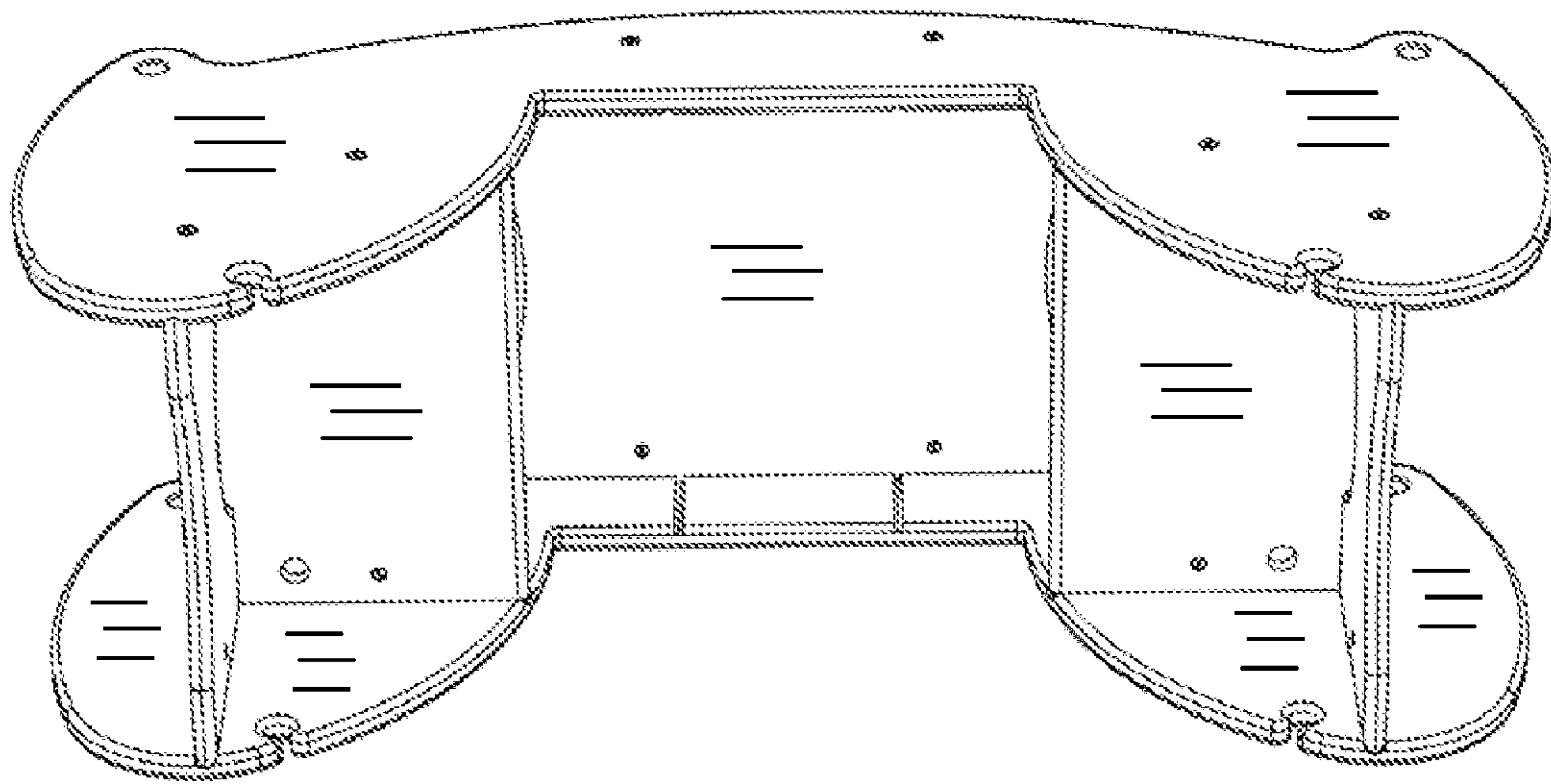


FIG. 5

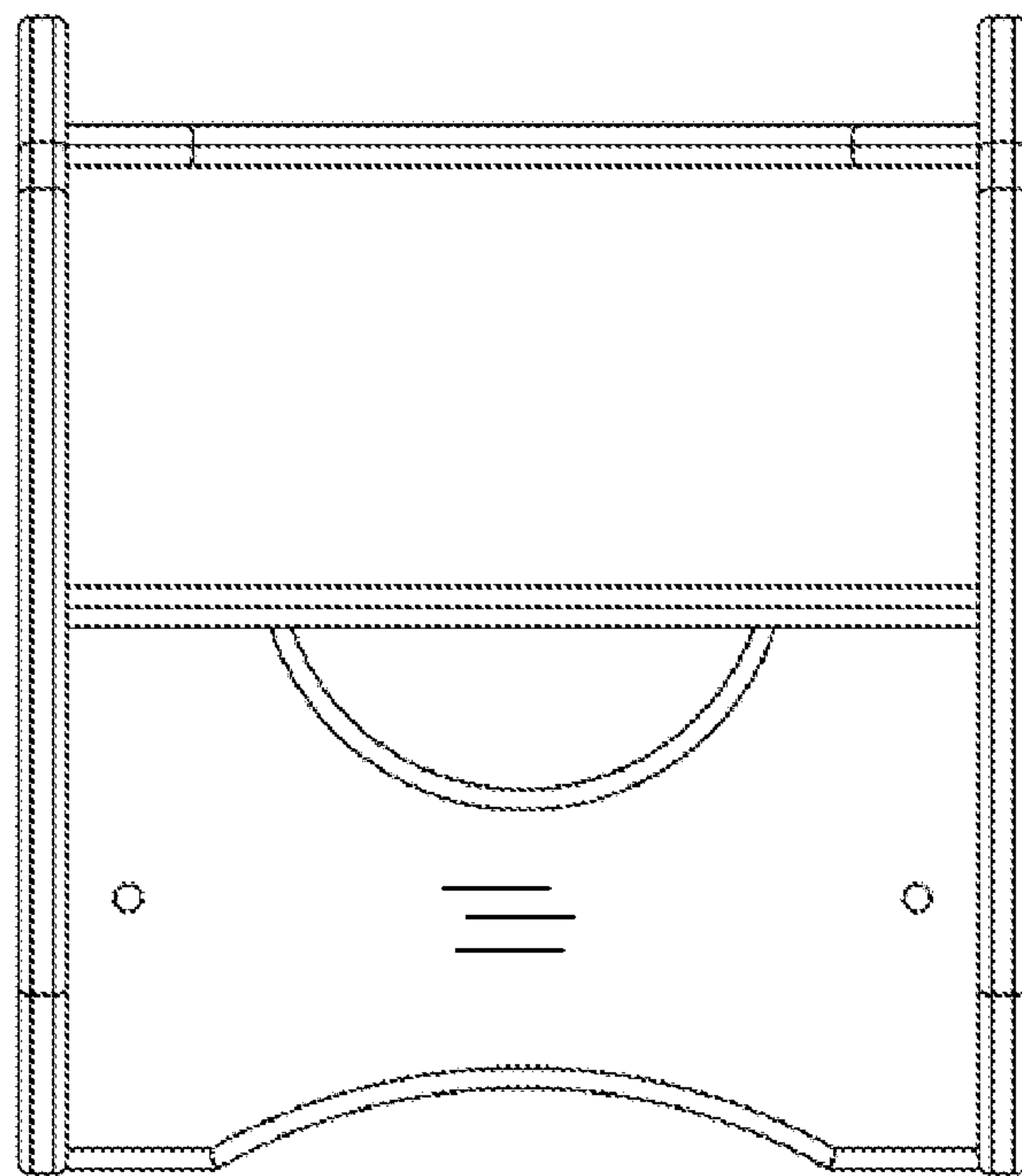


FIG. 6

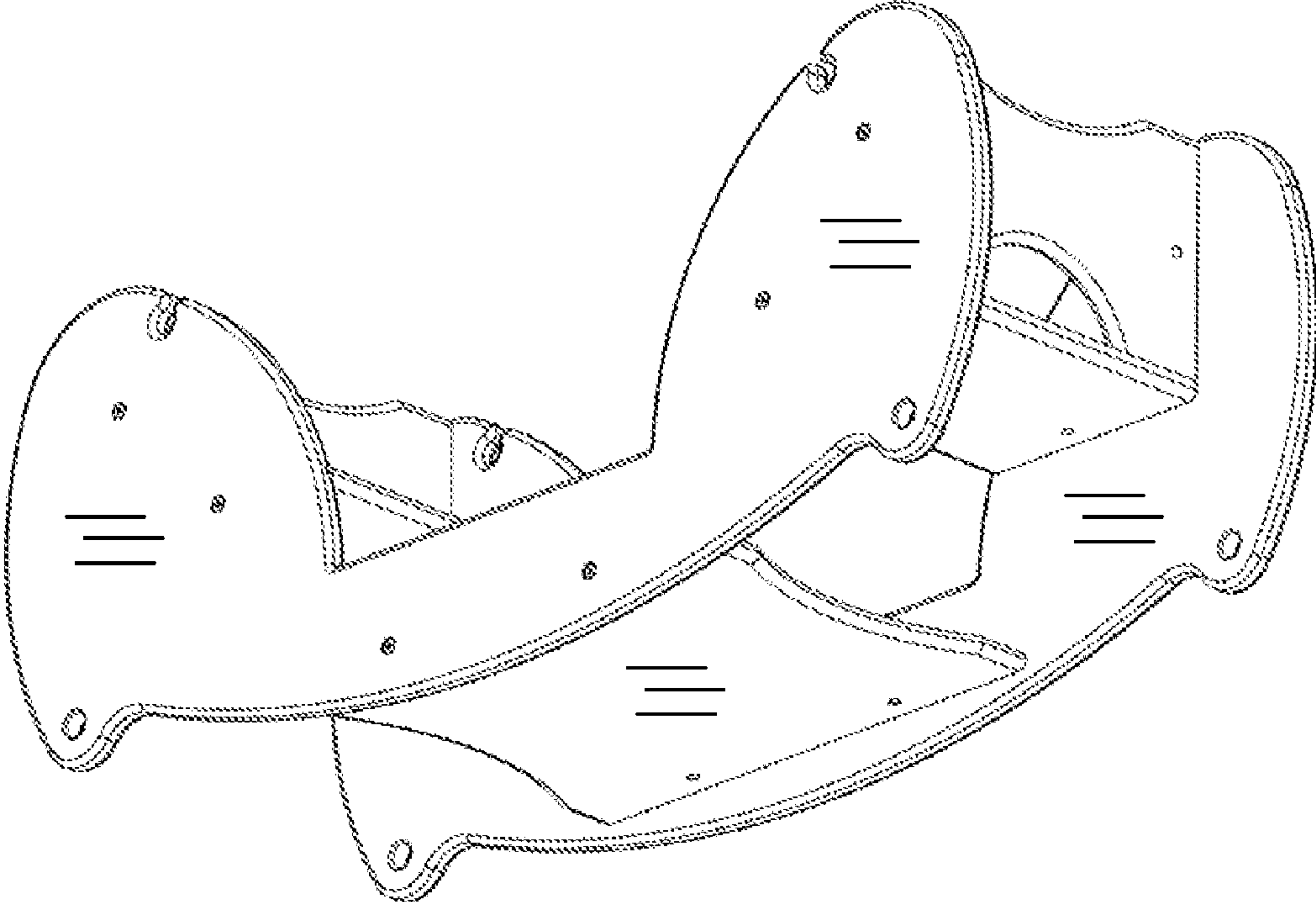


FIG. 7