

US00D663533S

(12) **United States Design Patent**
Pottes

(10) **Patent No.:** **US D663,533 S**

(45) **Date of Patent:** **** Jul. 17, 2012**

(54) **BROOM**

(75) Inventor: **Fabiano G. Pottes**, Sao Paulo (BR)

(73) Assignee: **3M Innovative Properties Company**,
St. Paul, MN (US)

(**) Term: **14 Years**

(21) Appl. No.: **29/406,821**

(22) Filed: **Nov. 18, 2011**

(51) **LOC (9) Cl.** **04-99**

(52) **U.S. Cl.** **D4/199**

(58) **Field of Classification Search** D4/130,
D4/132, 135, 137, 138, 199; D32/50-52;
15/145, 146, 159.1, 160, 167.3, 171, 176.1,
15/176.2, 191.1, 192, 193
See application file for complete search history.

(56) **References Cited**

U.S. PATENT DOCUMENTS

D99,111 S *	3/1936	Bickel	D4/132
D293,165 S *	12/1987	Machacek	D4/135
D417,325 S *	11/1999	Tintelnot	D32/50
D455,562 S *	4/2002	Libman	D4/199
D456,617 S *	5/2002	Libman	D4/199
D456,618 S *	5/2002	Libman	D4/199
D472,716 S *	4/2003	Hay	D4/199
D499,555 S *	12/2004	Molek et al.	D4/199
D501,088 S *	1/2005	Libman et al.	D4/199
D537,255 S *	2/2007	Berti	D4/199

D549,465 S *	8/2007	Hay et al.	D4/199
D572,013 S *	7/2008	Weis et al.	D4/199
D591,514 S *	5/2009	McNeil et al.	D4/135
D597,719 S *	8/2009	McNeil et al.	D32/51
D601,350 S *	10/2009	Wales	D4/199
D621,622 S *	8/2010	Giacolo et al.	D4/199
D627,978 S *	11/2010	Libman	D4/199
D630,022 S *	1/2011	Giacolo et al.	D4/199

* cited by examiner

Primary Examiner — Austin Murphy

(74) *Attorney, Agent, or Firm* — Trisha D. Adamson

(57) **CLAIM**

The ornamental design for a broom, as shown and described.

DESCRIPTION

FIG. 1 is a perspective view showing the new design for a broom;

FIG. 2 is a front view thereof;

FIG. 3 is a rear view thereof;

FIG. 4 is a top view thereof;

FIG. 5 is a bottom view thereof;

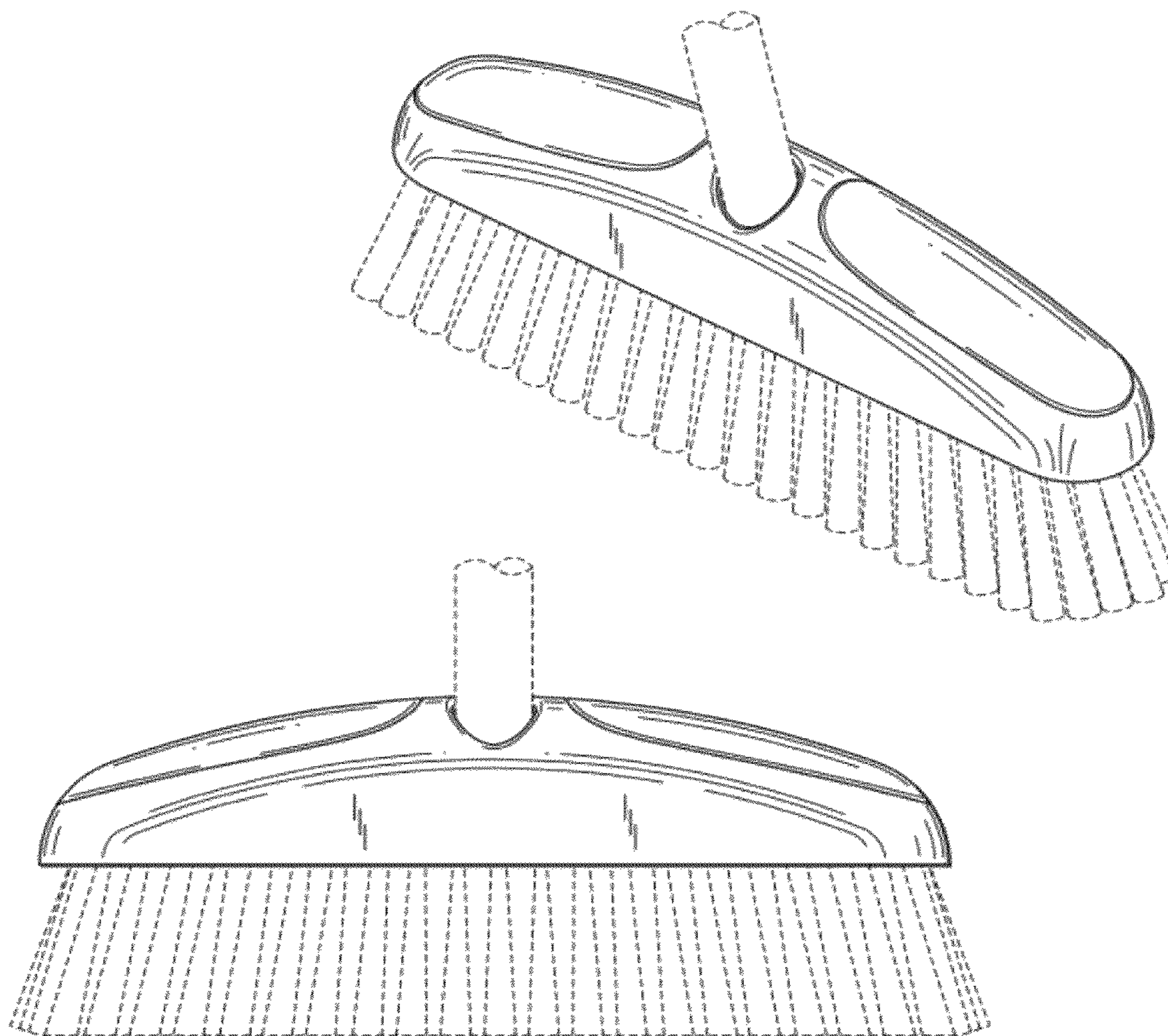
FIG. 6 is a right side view thereof;

FIG. 7 is a left side view thereof; and,

FIG. 8 is a perspective view thereof showing the Broom with a long handle.

The broken lines in the drawings are shown for illustrative purposes only and form no part of the claimed design. In addition, the surface shading illustrated in the drawings is provided merely to highlight the contour of design; it is not intended to be illustrative of texture or gloss.

1 Claim, 3 Drawing Sheets



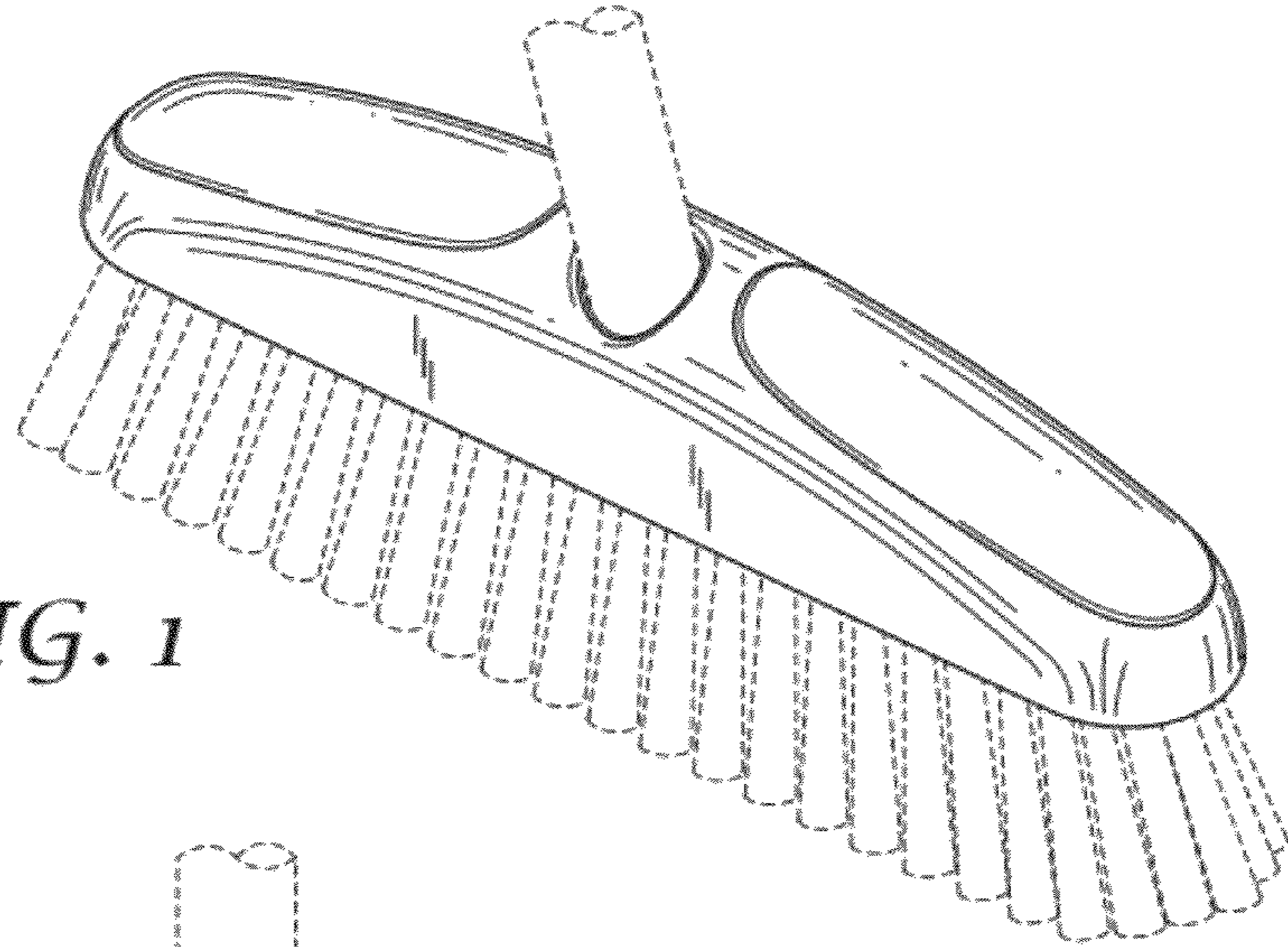


FIG. 1

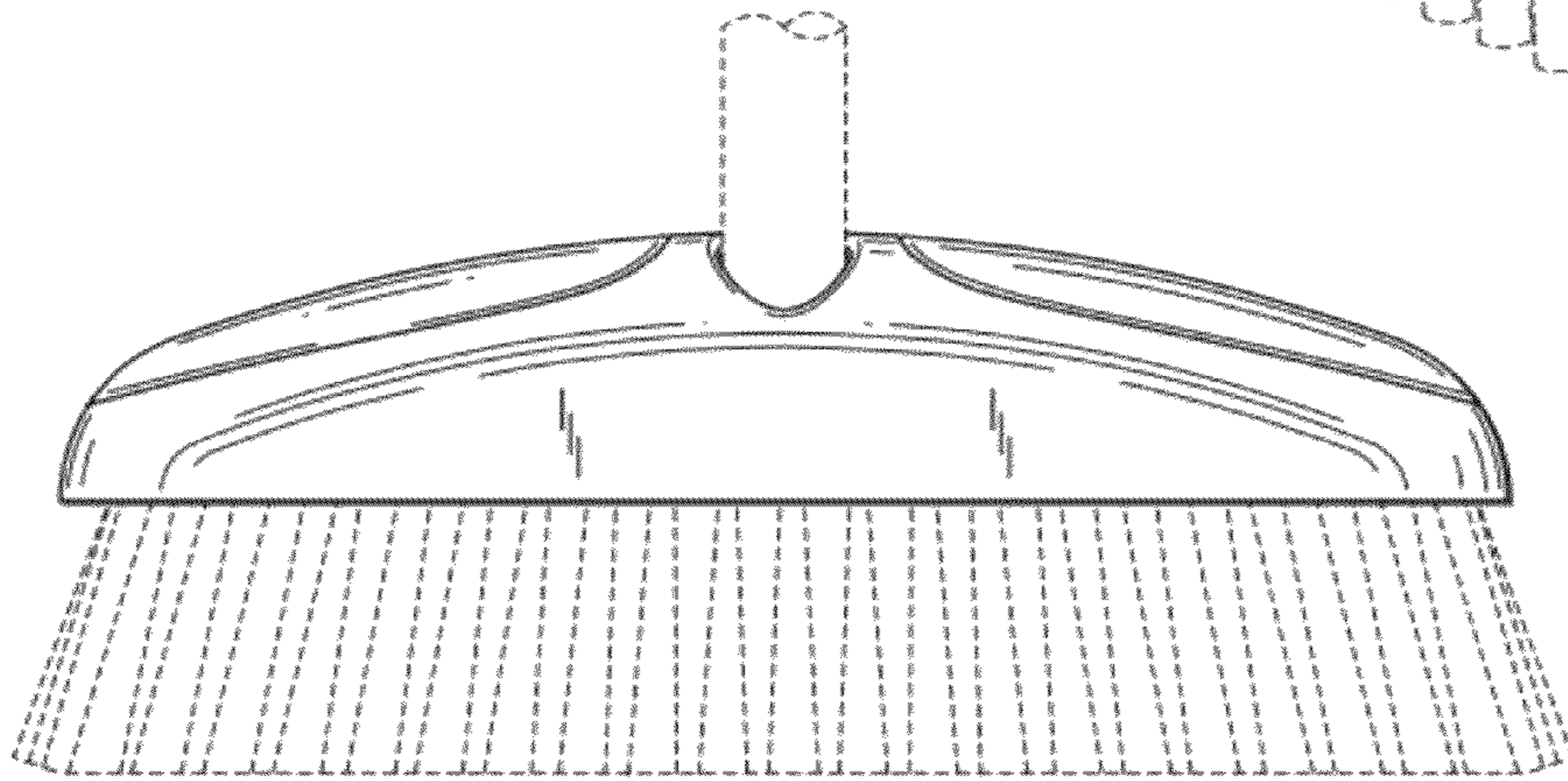


FIG. 2

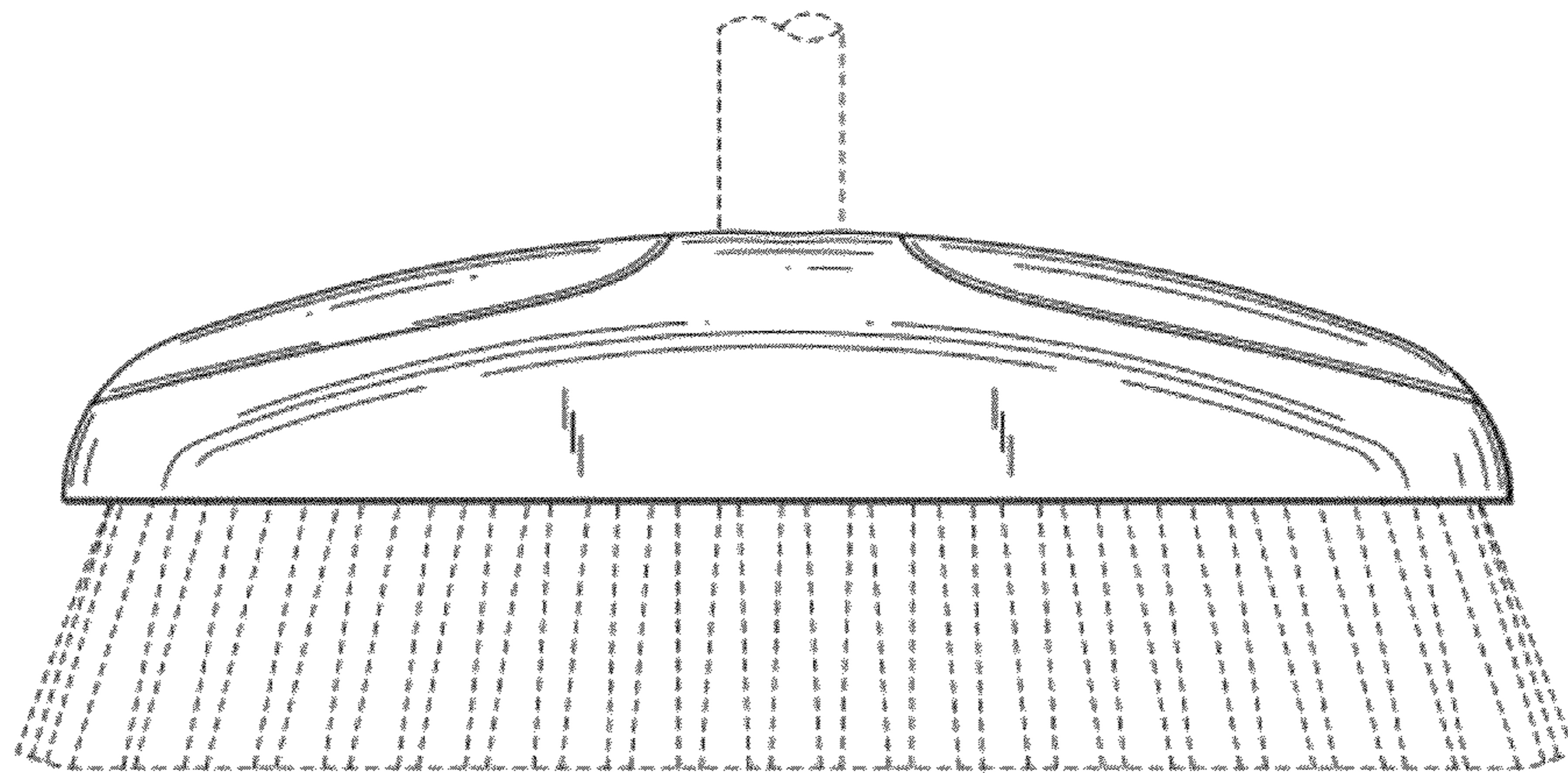


FIG. 3

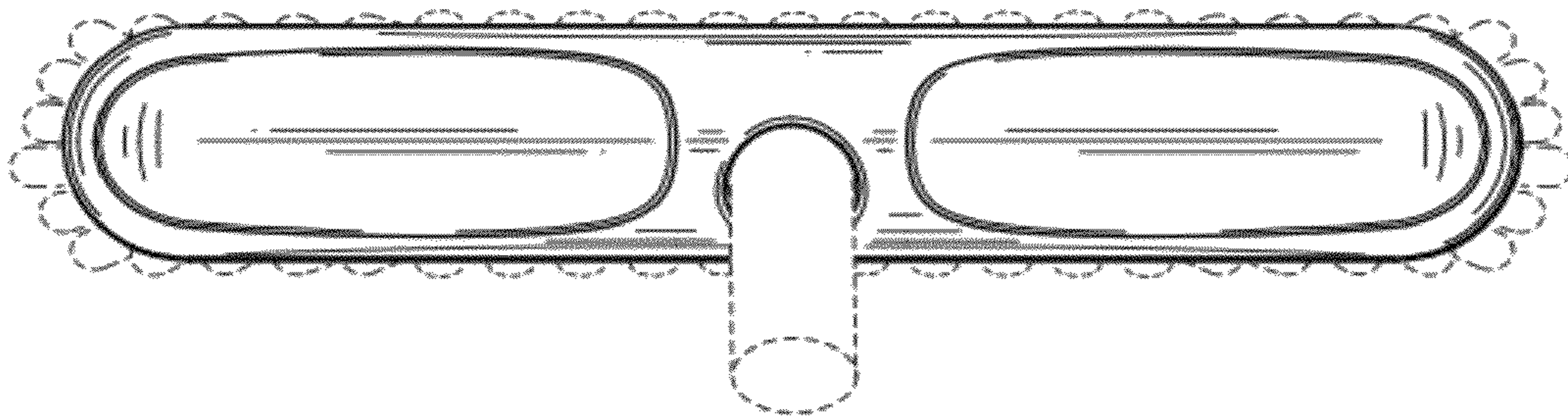


FIG. 4

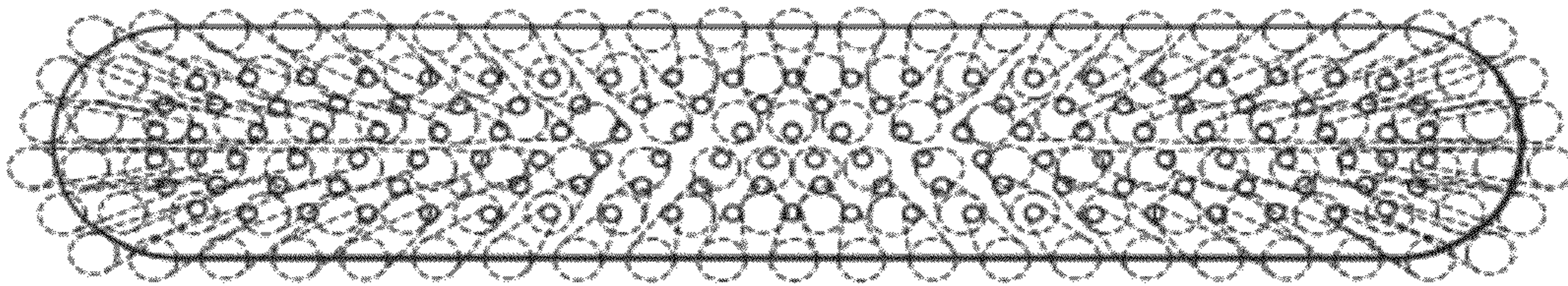


FIG. 5

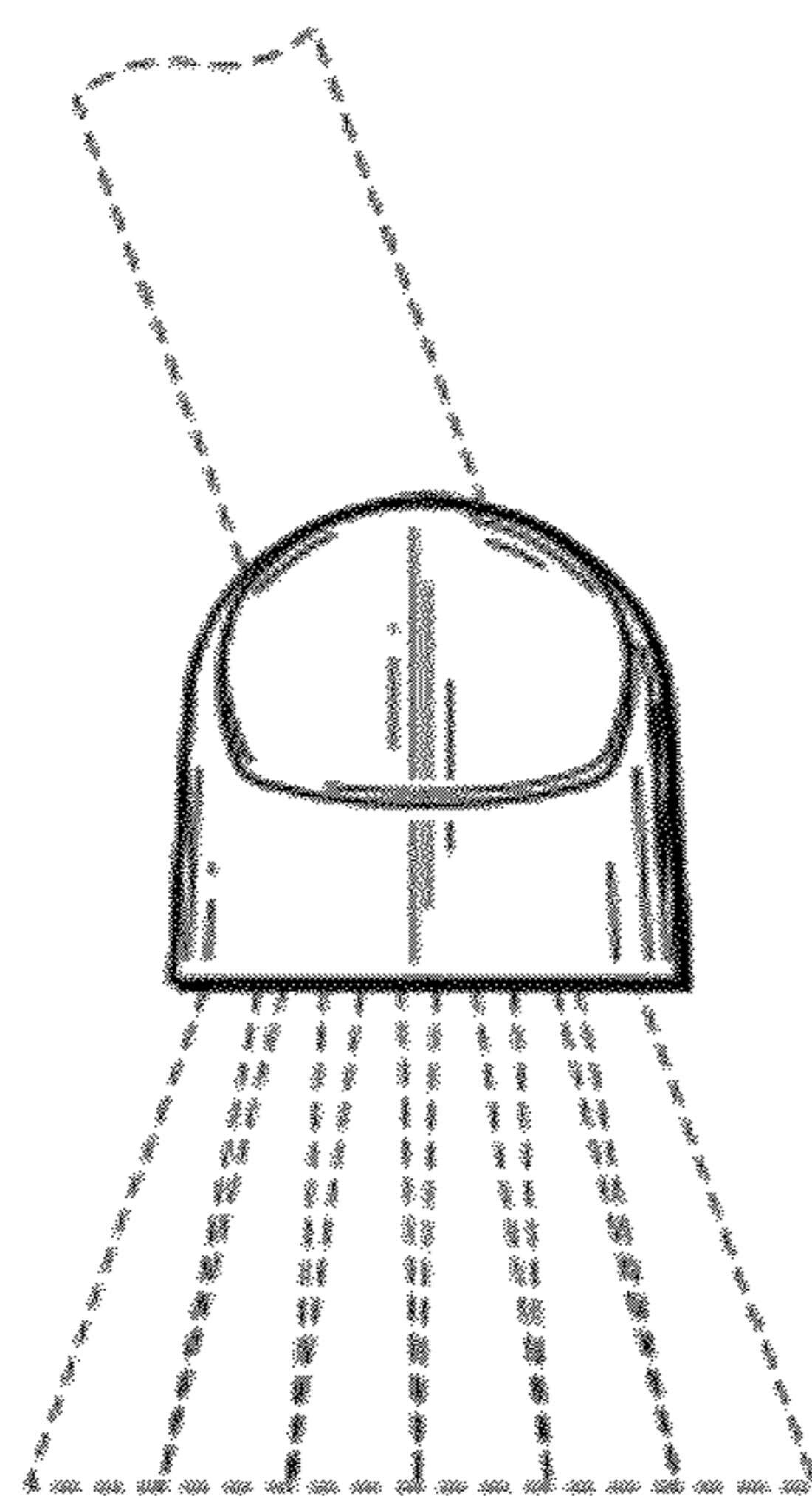


FIG. 6

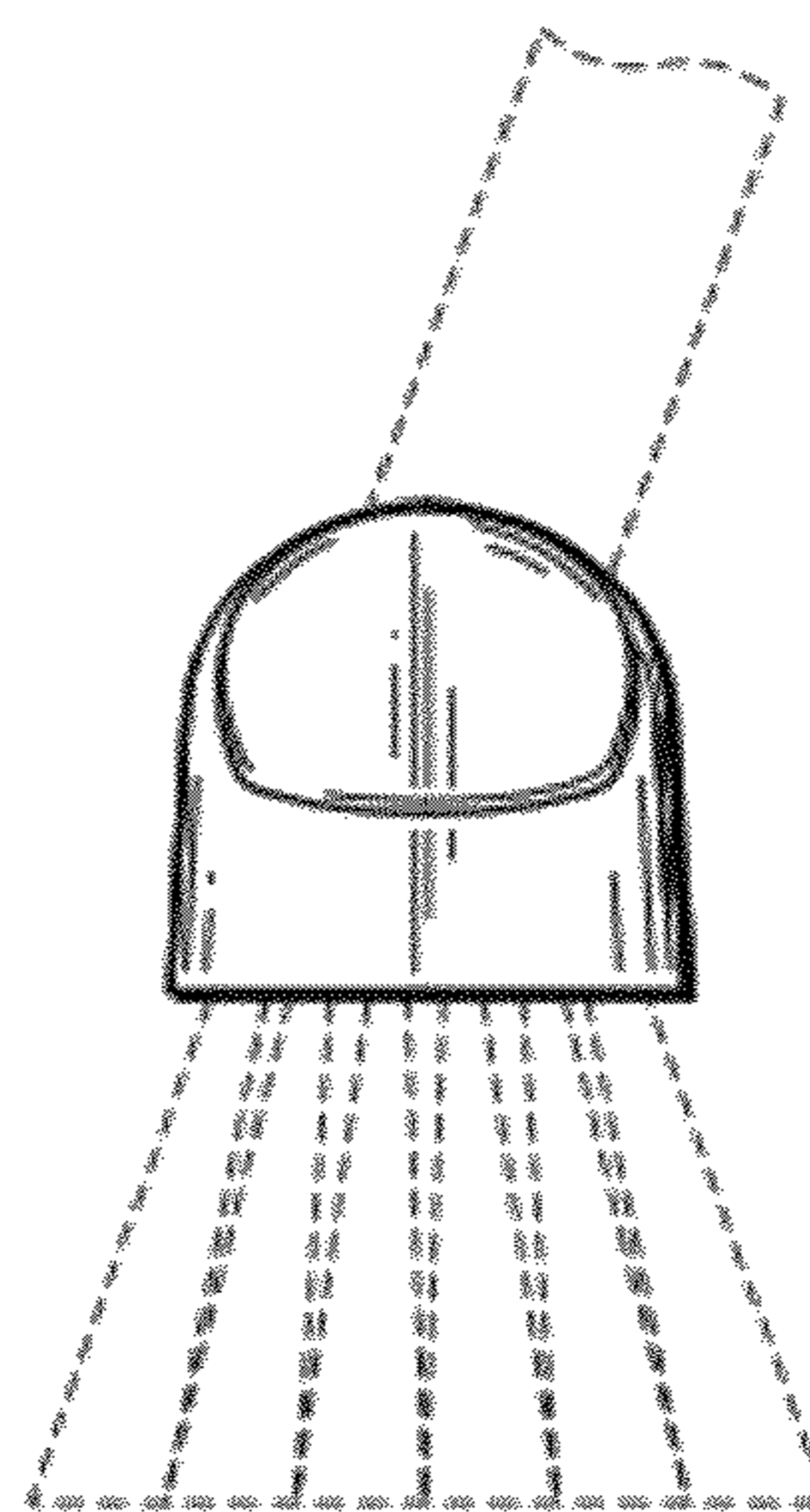


FIG. 7

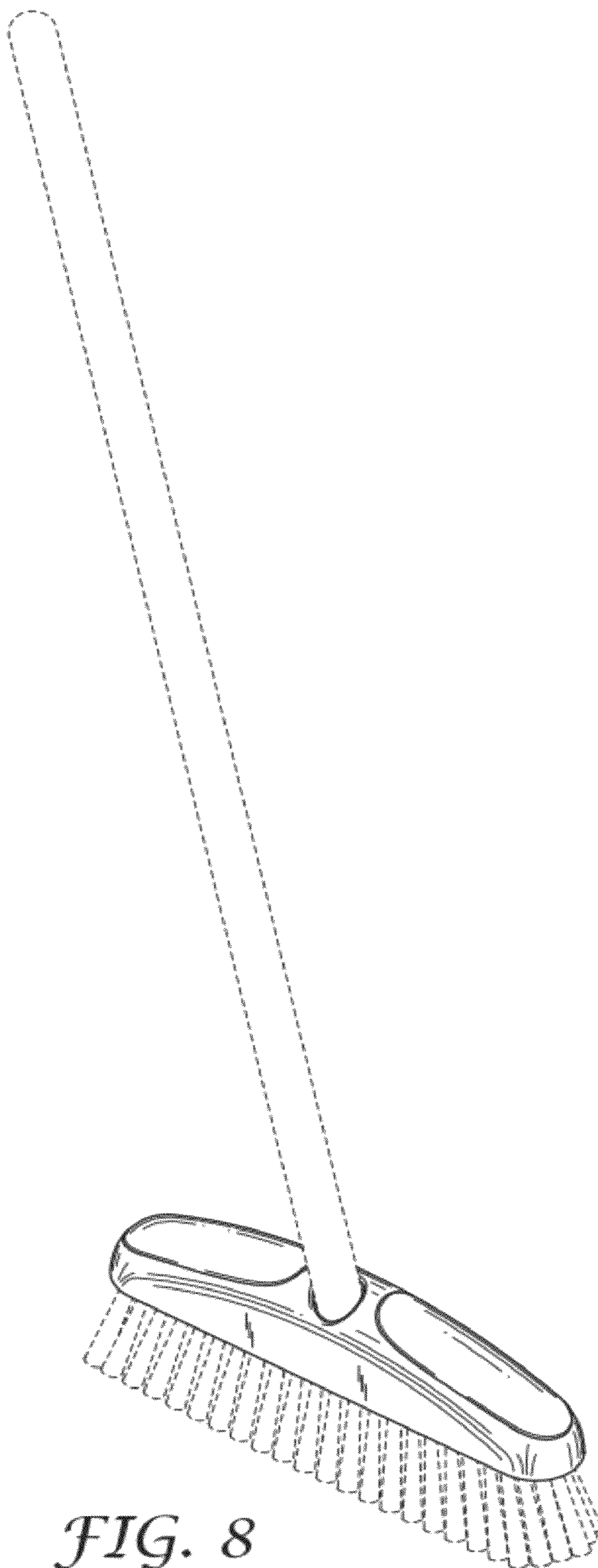


FIG. 8