

US00D663531S

(12) **United States Design Patent**  
**Zemel**

(10) **Patent No.:** **US D663,531 S**

(45) **Date of Patent:** **\*\* Jul. 17, 2012**

(54) **GRILL BRUSH**

(75) Inventor: **Marc Zemel**, Melville, NY (US)

(73) Assignee: **Mr. BAR-B-Q-, Inc.**, Old Bethpage, NY (US)

(\*\*) Term: **14 Years**

(21) Appl. No.: **29/417,555**

(22) Filed: **Apr. 5, 2012**

(51) **LOC (9) Cl.** ..... **04-01**

(52) **U.S. Cl.** ..... **D4/131**

(58) **Field of Classification Search** ..... D4/119,  
D4/120, 131, 132, 134, 114, 118; 15/159.1,  
15/160, 106, 114, 118, 206  
See application file for complete search history.

(56) **References Cited**

**U.S. PATENT DOCUMENTS**

D589,705 S *	4/2009	Zemel	.....	D4/119
D601,345 S *	10/2009	Wales	.....	D4/118
D601,346 S *	10/2009	Wales	.....	D4/119
D601,350 S *	10/2009	Wales	.....	D4/199
D601,808 S *	10/2009	Wales	.....	D4/119

\* cited by examiner

*Primary Examiner* — Austin Murphy

(74) *Attorney, Agent, or Firm* — Carter, DeLuca, Farrell & Schmidt LLP

(57) **CLAIM**

The ornamental design for a grill brush, as shown and described.

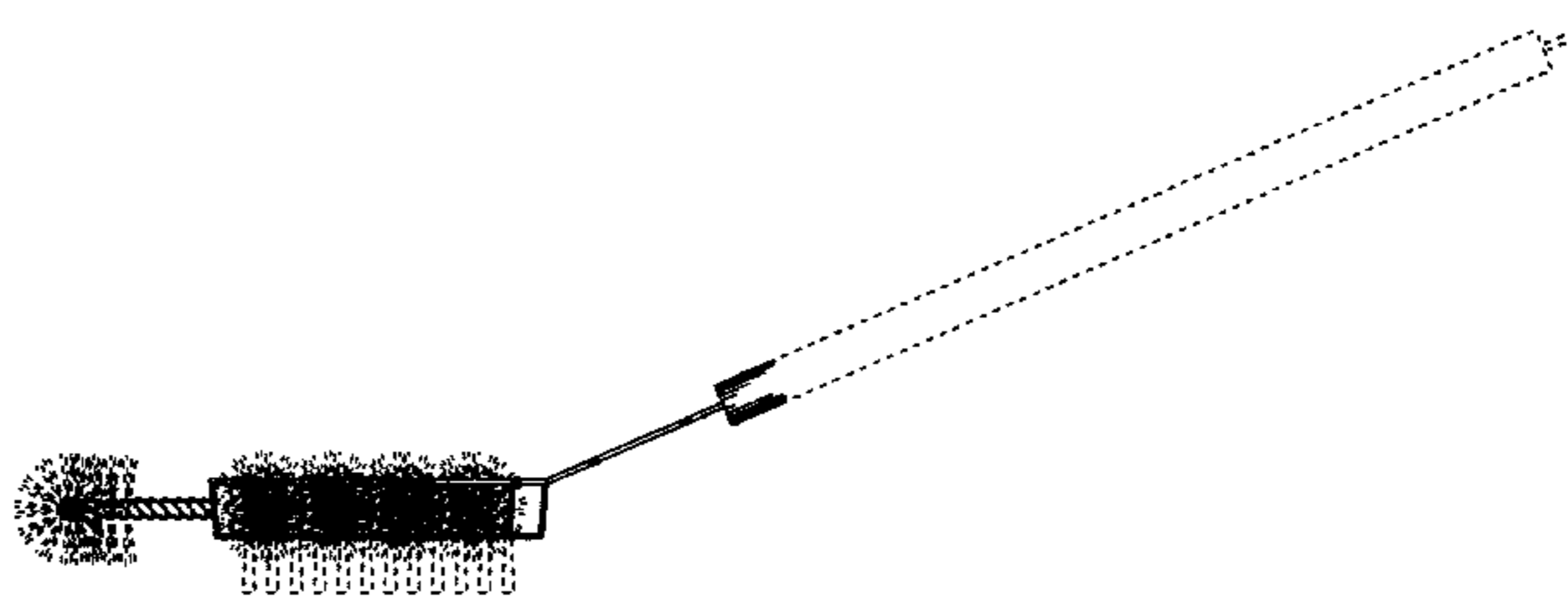
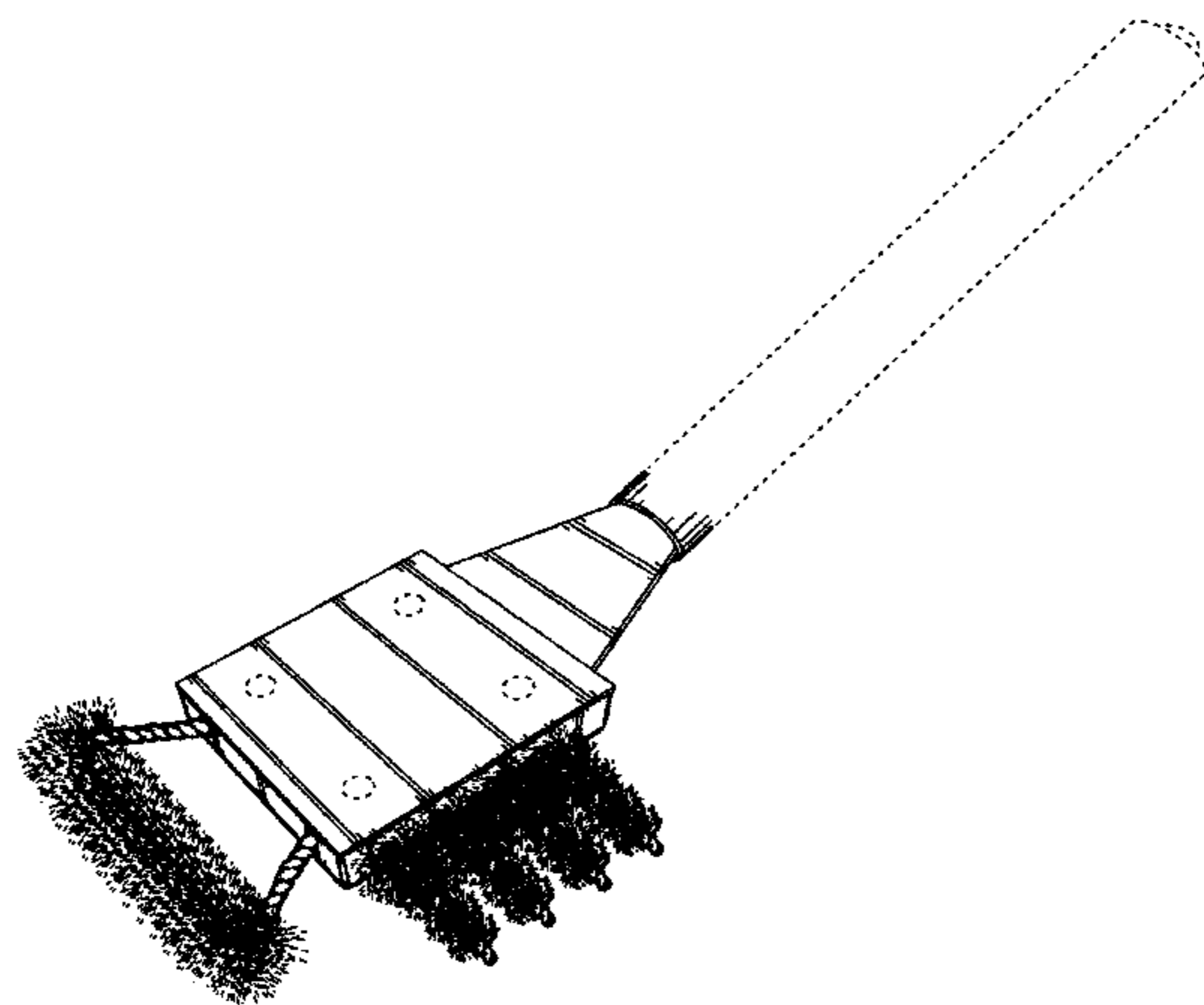
**DESCRIPTION**

FIG. 1 is a front side perspective view of a grill brush in accordance with the present design;  
FIG. 2 is a right side elevational view thereof;  
FIG. 3 is a left side elevational view thereof;  
FIG. 4 is a front elevational view thereof;  
FIG. 5 is a rear elevational view thereof;  
FIG. 6 is a top plan view thereof; and,  
FIG. 7 is a bottom plan view thereof.

The broken lines shown are included for the purpose of illustrating a portion of the grill brush that forms no part of the claimed design.

The stippling in the drawings is for shading purposes only.

**1 Claim, 6 Drawing Sheets**



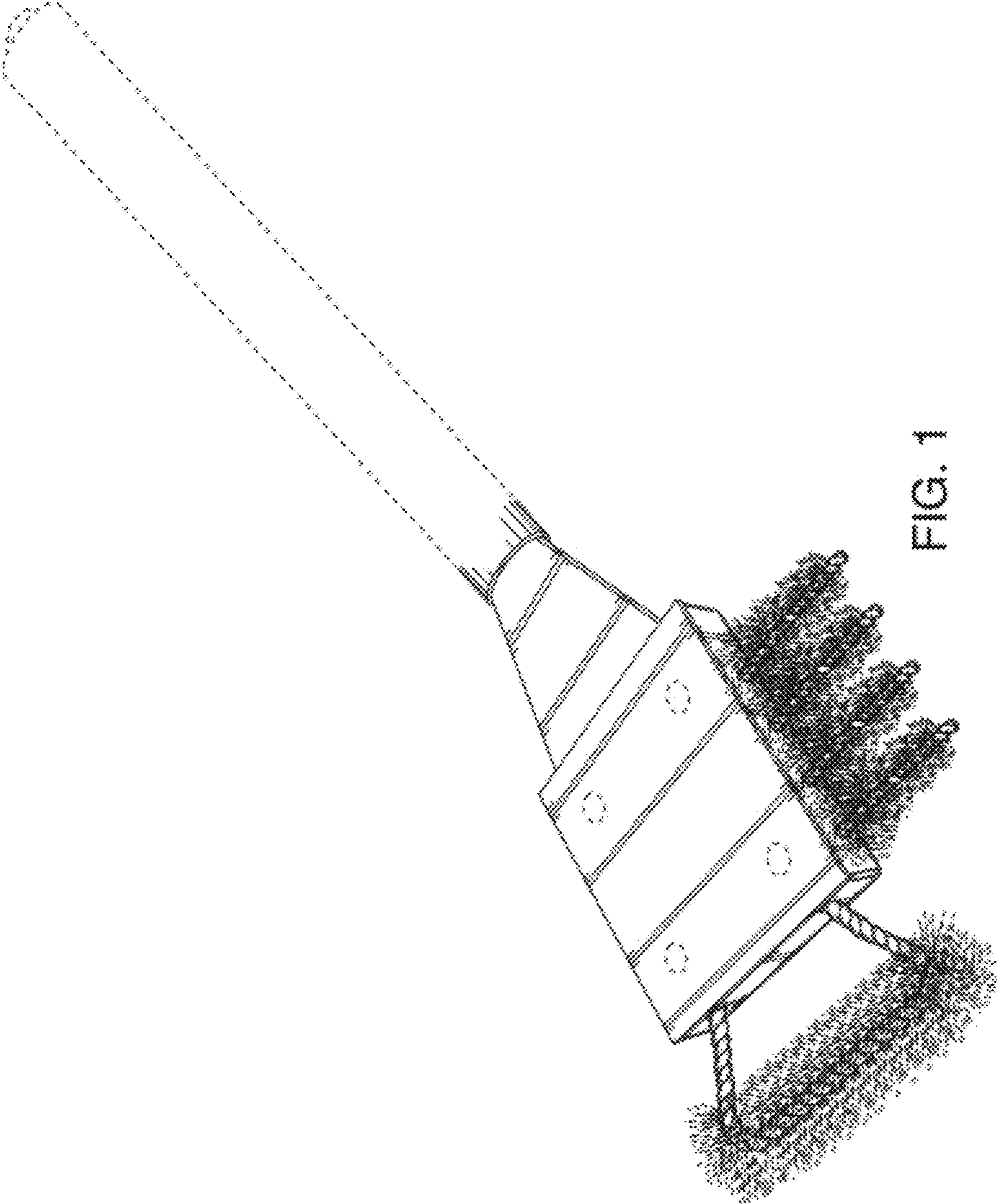


FIG. 1

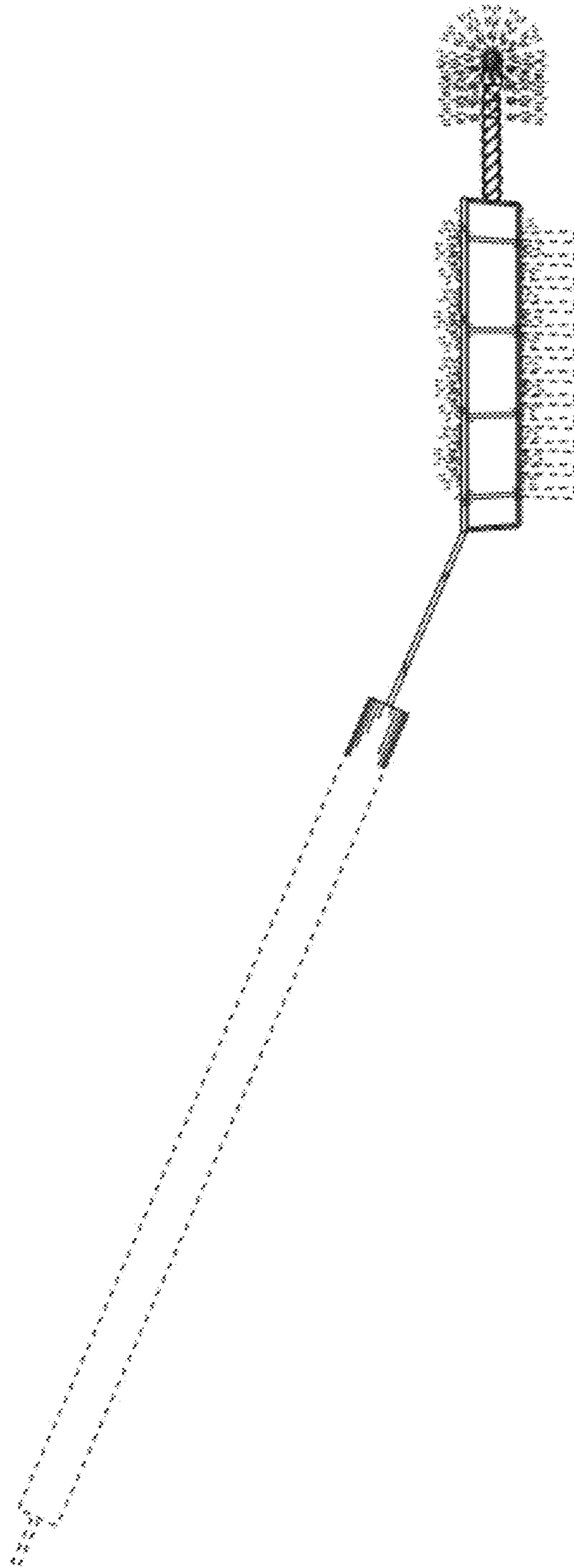


FIG. 2



FIG. 3

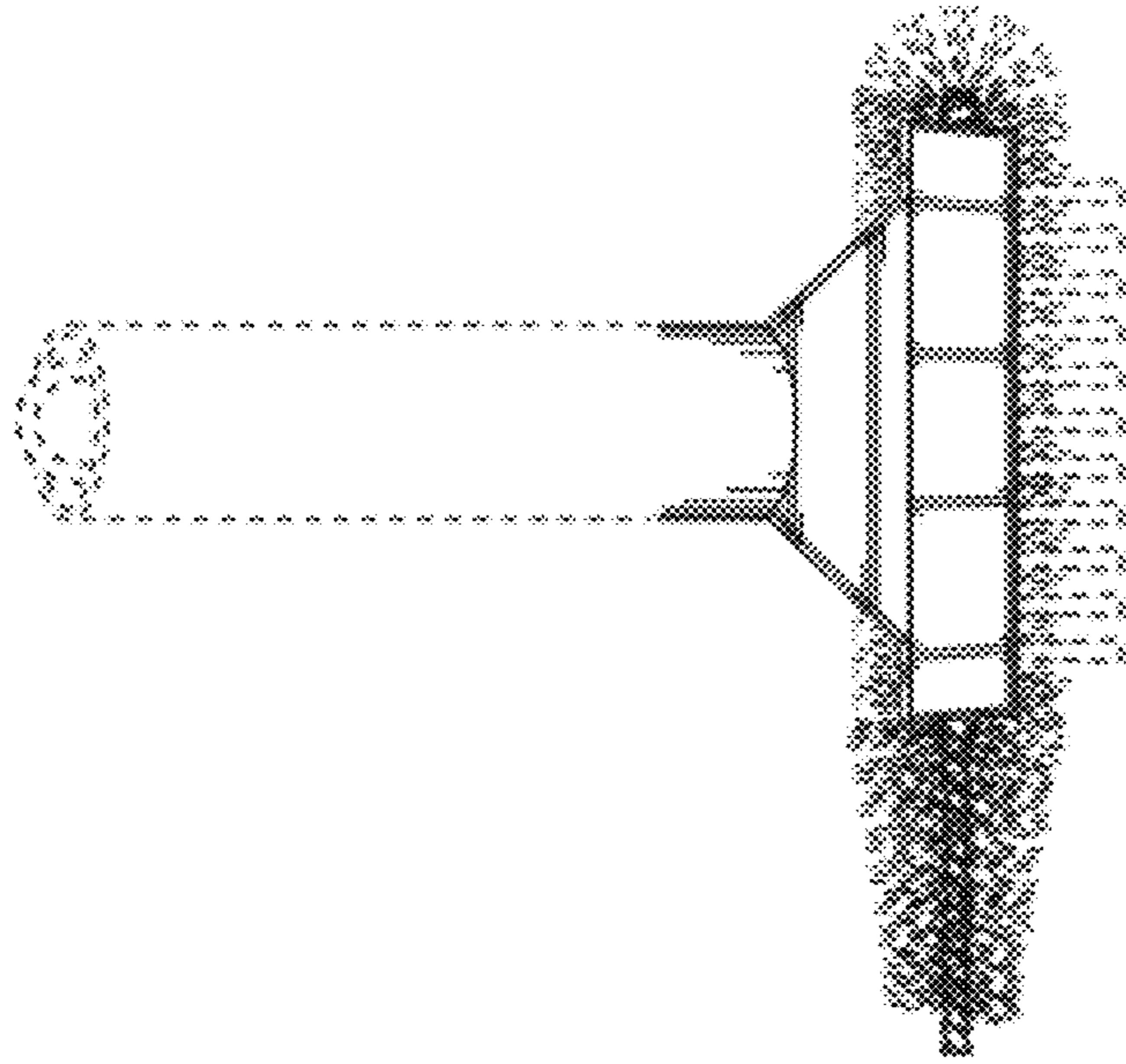


FIG. 5

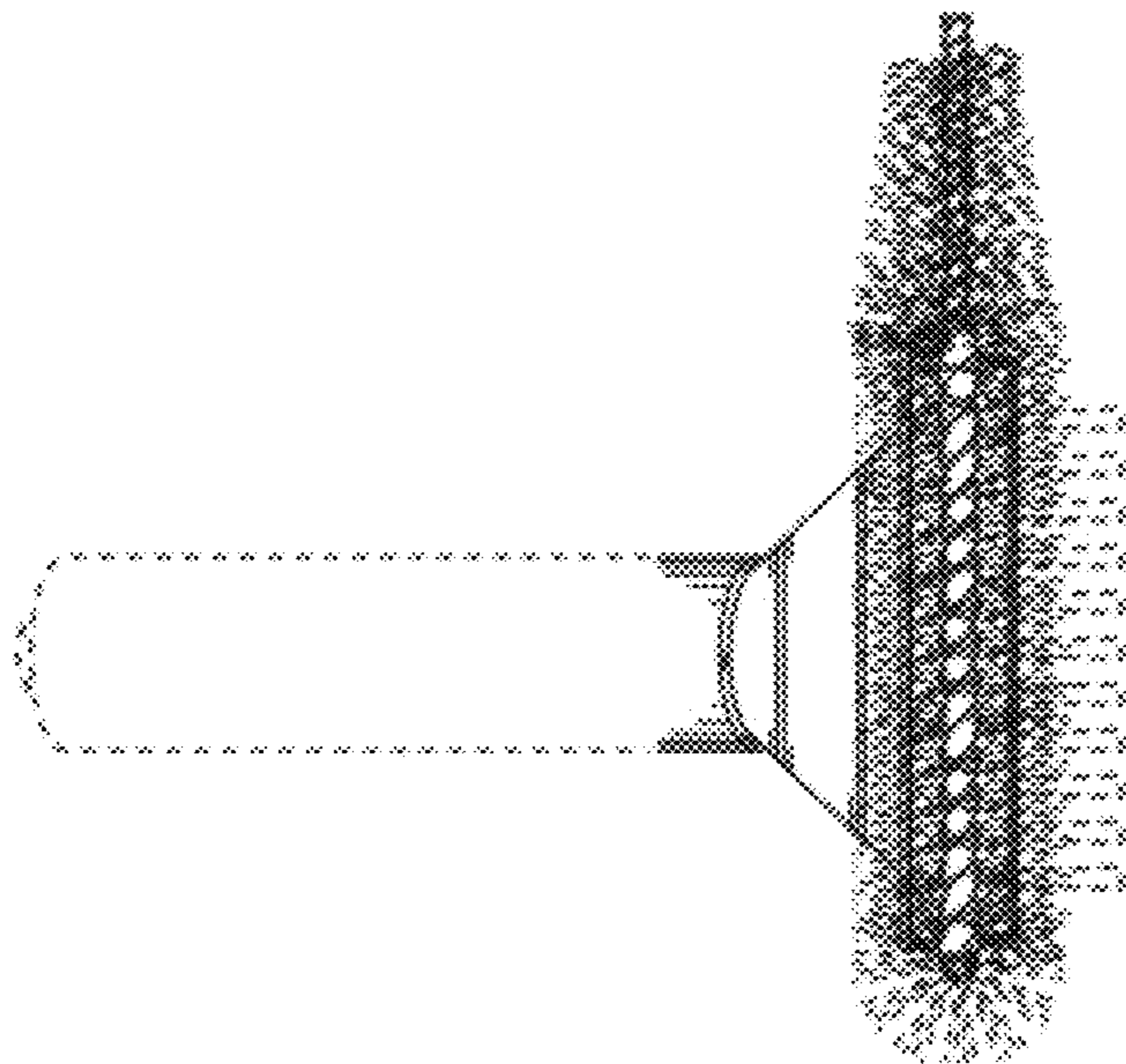


FIG. 4

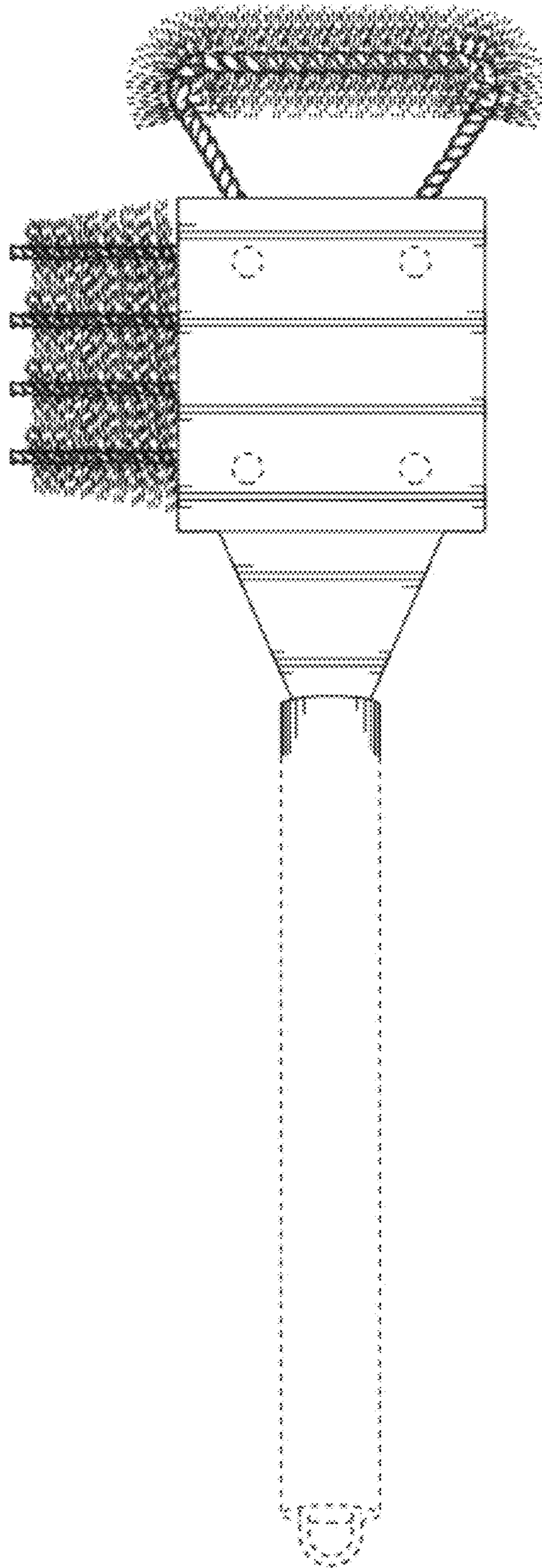


FIG. 6

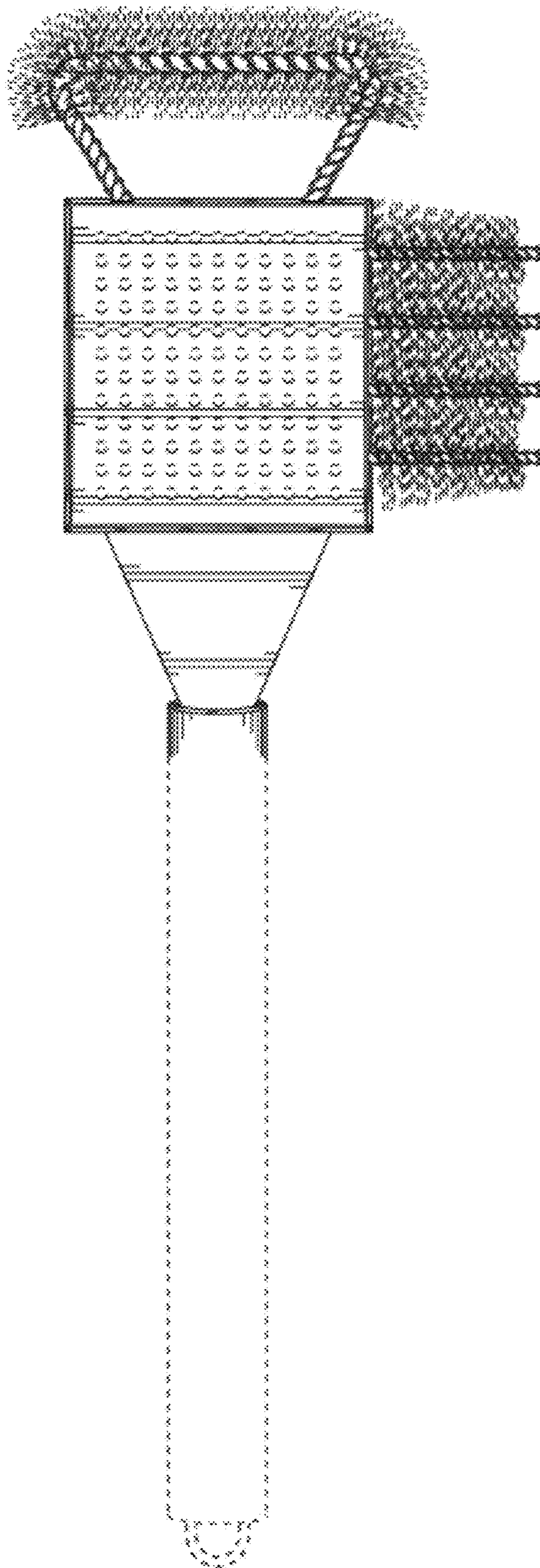


FIG. 7