



US00D663527S

(12) **United States Design Patent**
Seehoff et al.

(10) **Patent No.:** **US D663,527 S**
(45) **Date of Patent:** **** Jul. 17, 2012**

(54) **BAG HOLDER**

Primary Examiner — Holly Baynham

(75) Inventors: **Gary Stanley Seehoff**, Encino, CA
(US); **Jonny Yuan**, Garden Grove, CA
(US)

(57) **CLAIM**
The ornamental design for a bag holder, as shown and described.

(73) Assignee: **Evriholder Products, LLC**, Anaheim,
CA (US)

DESCRIPTION

(**) Term: **14 Years**

(21) Appl. No.: **29/383,838**

FIG. 1 illustrates a front perspective view of the claimed design for a bag holder shown open;
FIG. 2 illustrates a front right side view thereof;
FIG. 3 illustrates a rear right side view thereof;
FIG. 4 illustrates a front left side view thereof;
FIG. 5 illustrates a bottom right side view thereof;
FIG. 6 illustrates a top view thereof;
FIG. 7 illustrates a bottom view thereof;
FIG. 8 illustrates a front view showing the bag holder shown closed;
FIG. 9 illustrates a left side view thereof;
FIG. 10 illustrates a right side view thereof;
FIG. 11 illustrates a bottom view thereof;
FIG. 12 illustrates a top view thereof;
FIG. 13 illustrates a bottom right side view thereof;
FIG. 14 illustrates a perspective view thereof;
FIG. 15 illustrates a right side view thereof; and,
FIG. 16 is a sectional view taken along line 16-16 of FIG. 15.

(22) Filed: **Jan. 22, 2011**

(51) **LOC (9) Cl.** **03-01**

(52) **U.S. Cl.** **D3/328**

(58) **Field of Classification Search** D3/318,
D3/328; D8/373, 367; 206/287

See application file for complete search history.

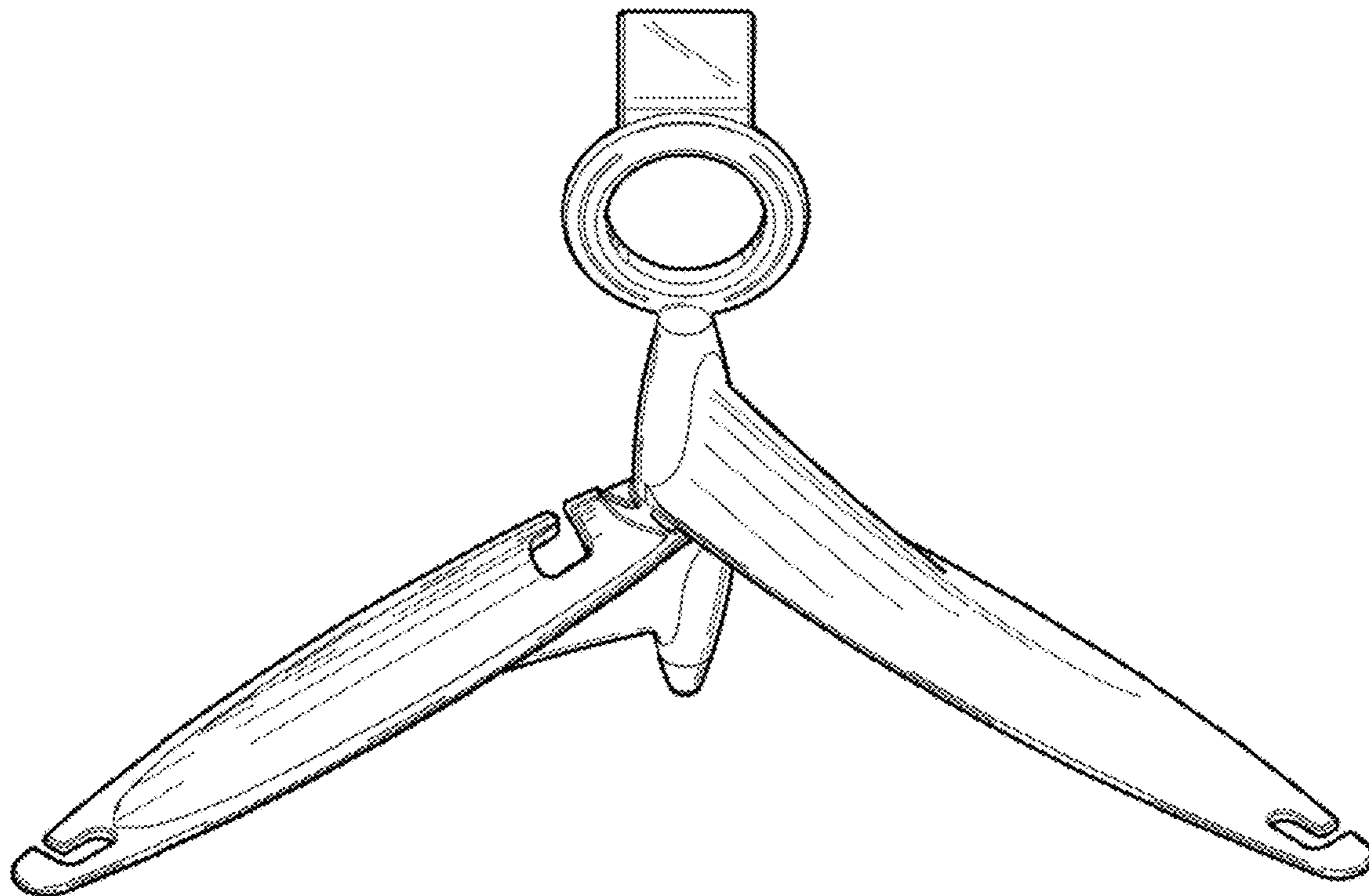
(56) **References Cited**

U.S. PATENT DOCUMENTS

D451,366 S * 12/2001 Chen D8/330
D452,378 S * 12/2001 Chen D3/318

* cited by examiner

1 Claim, 16 Drawing Sheets



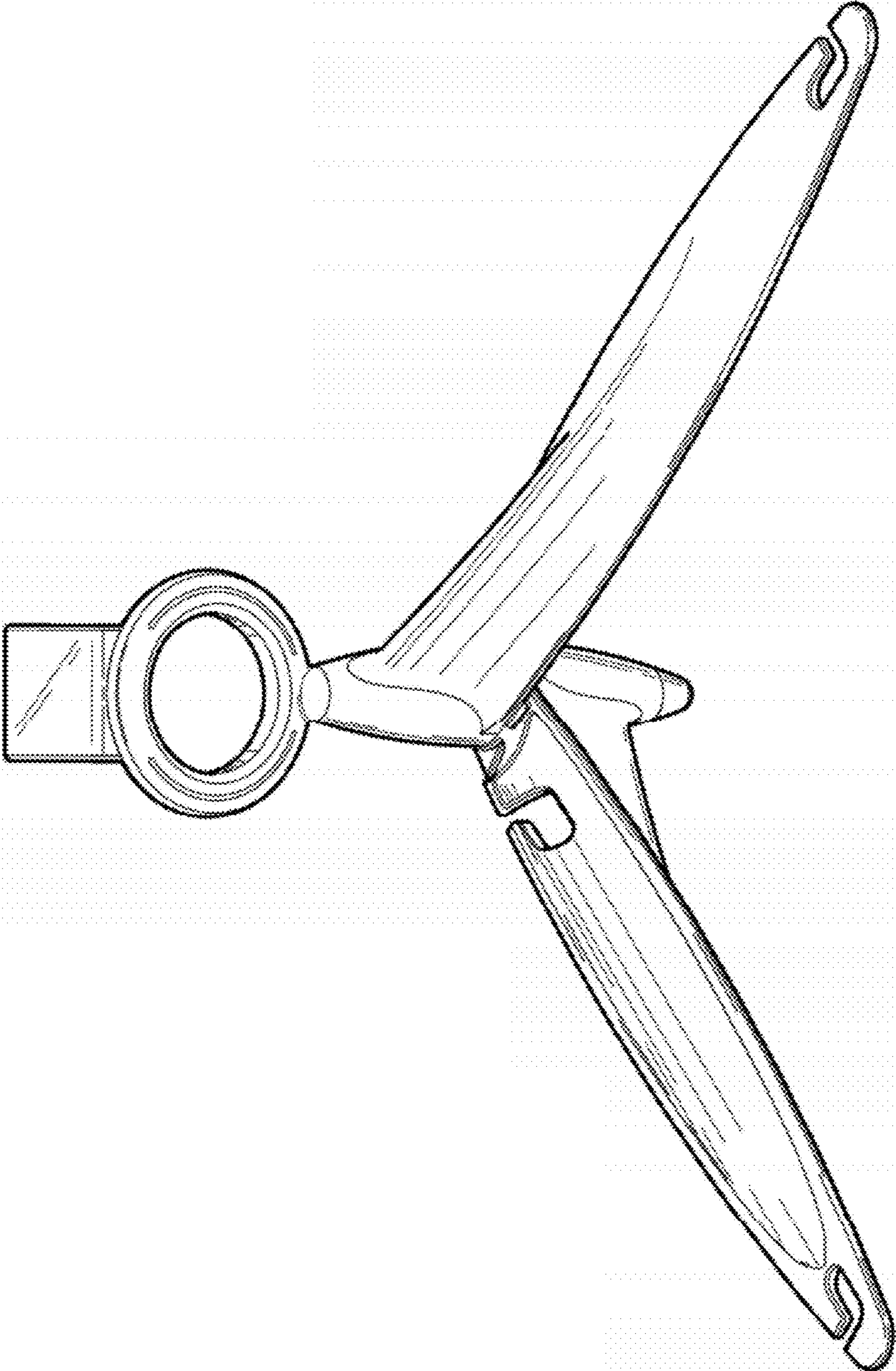


Fig. 1

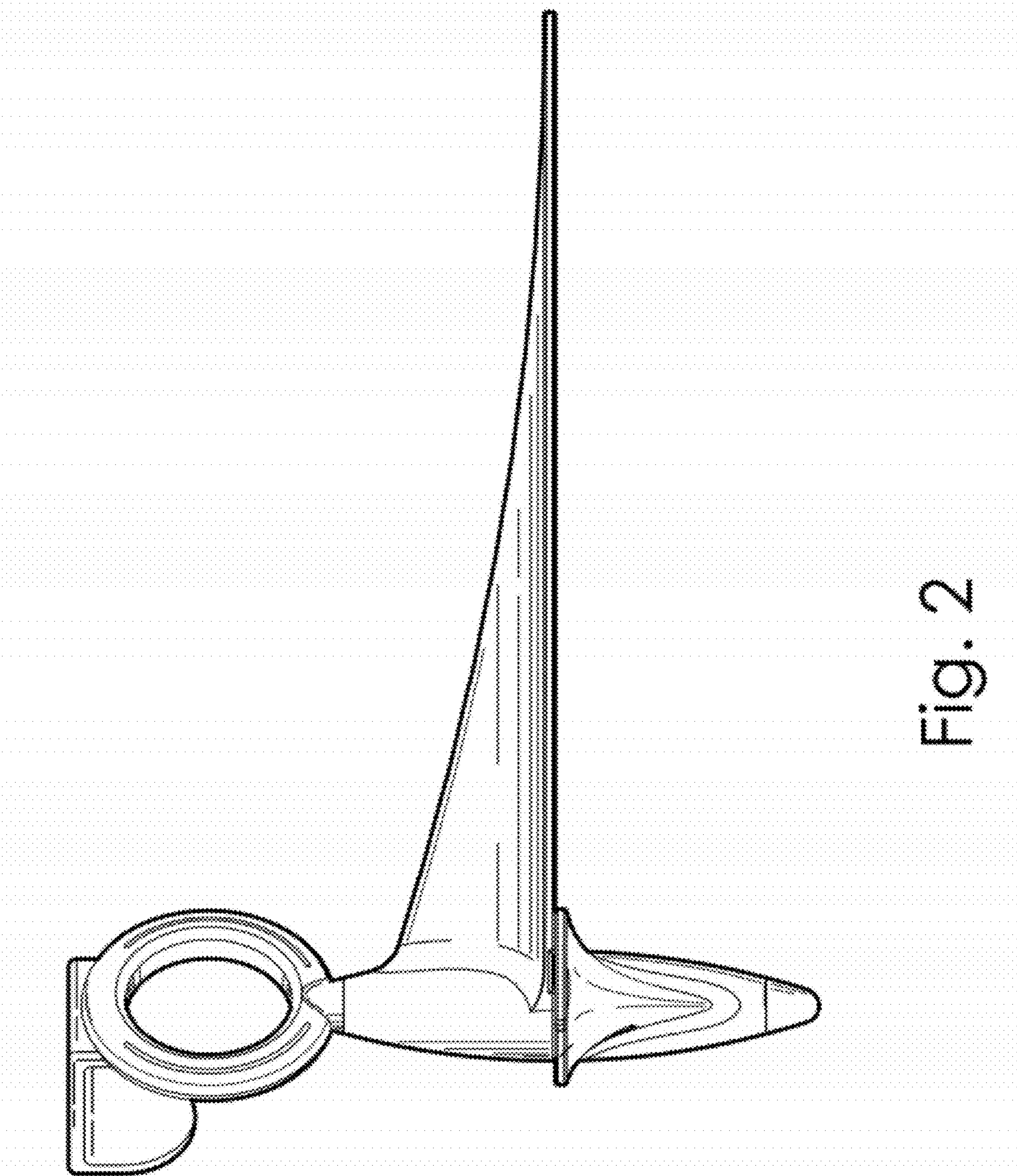


Fig. 2

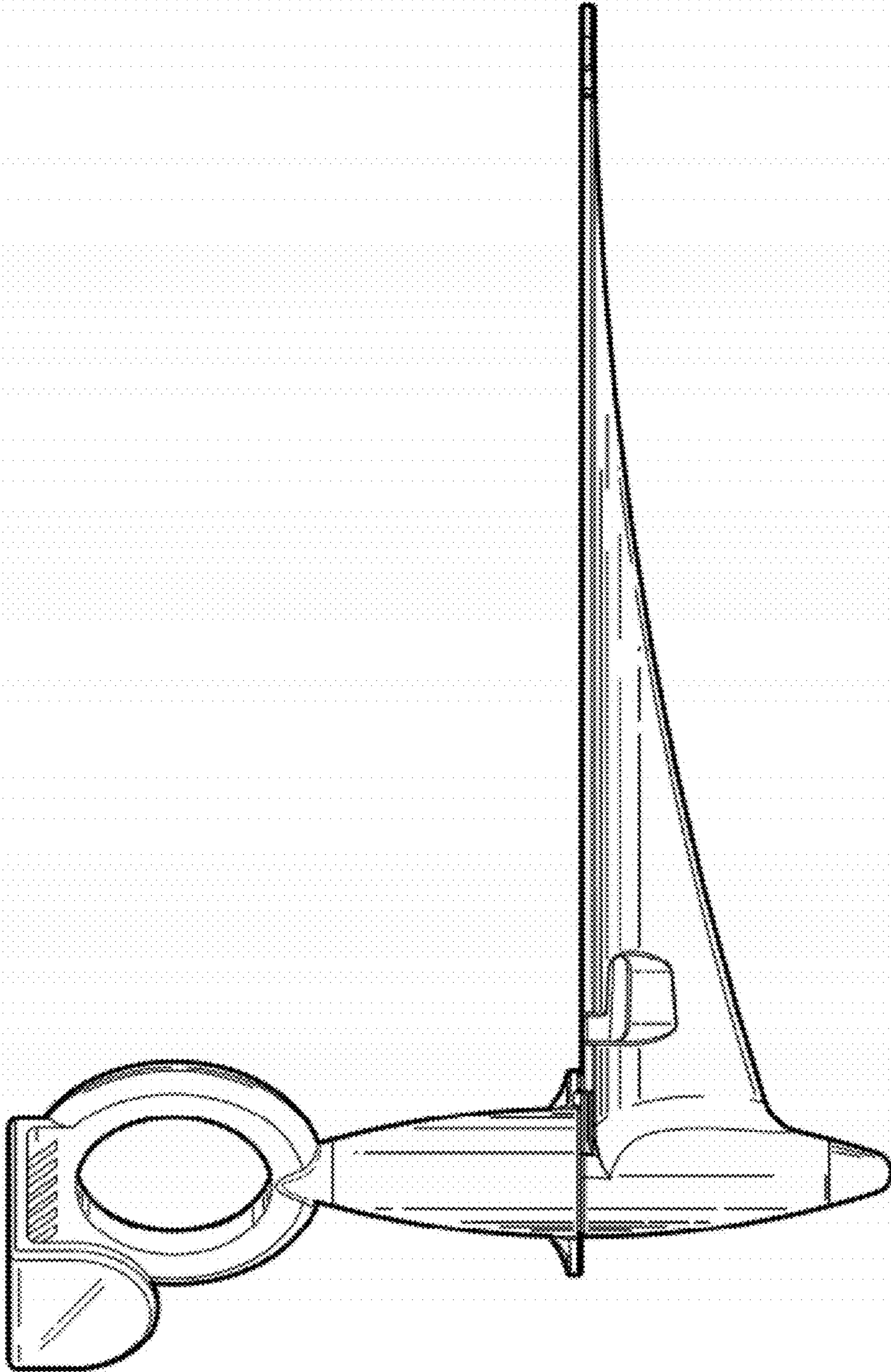


Fig. 3

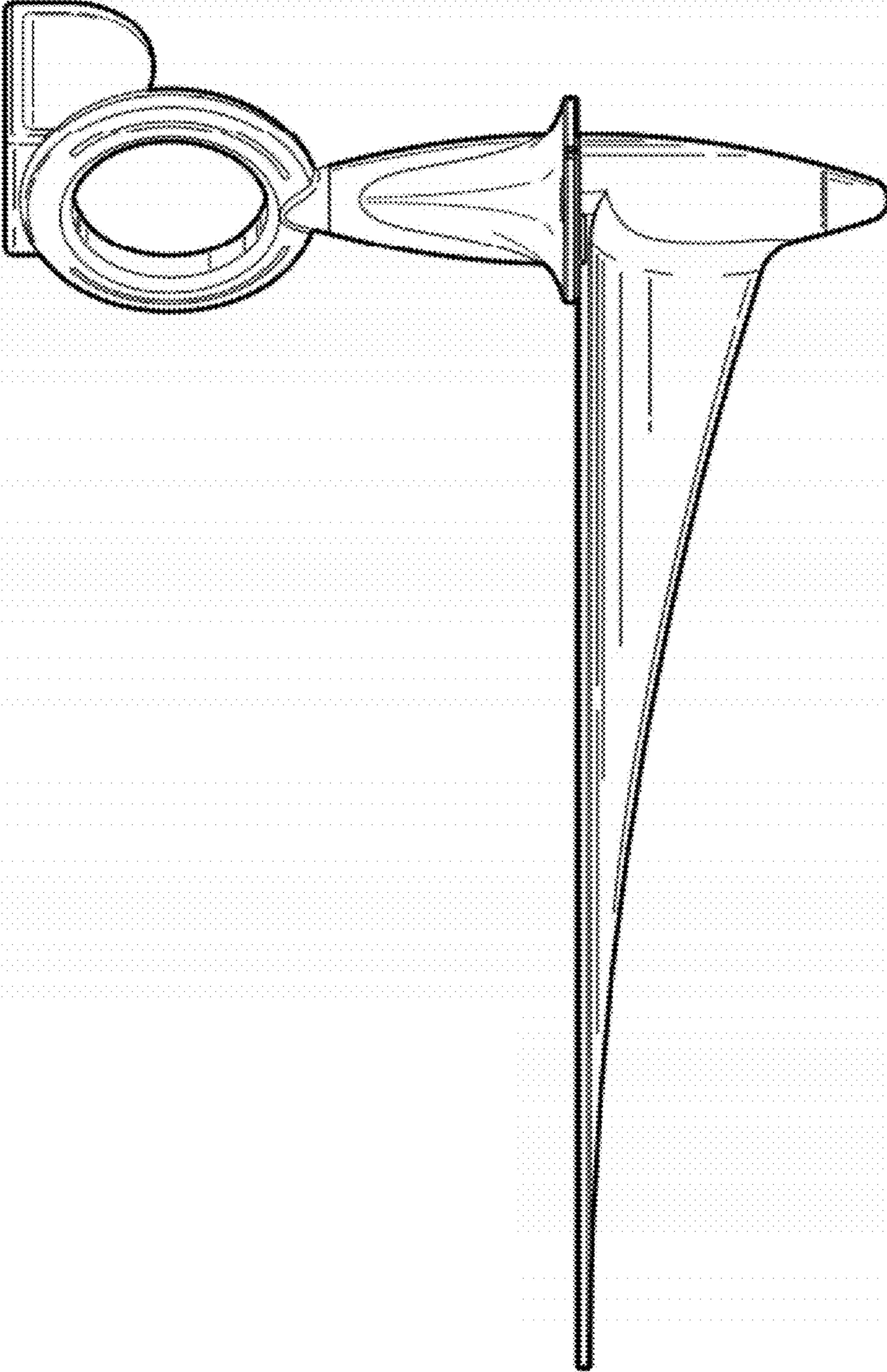


Fig. 4

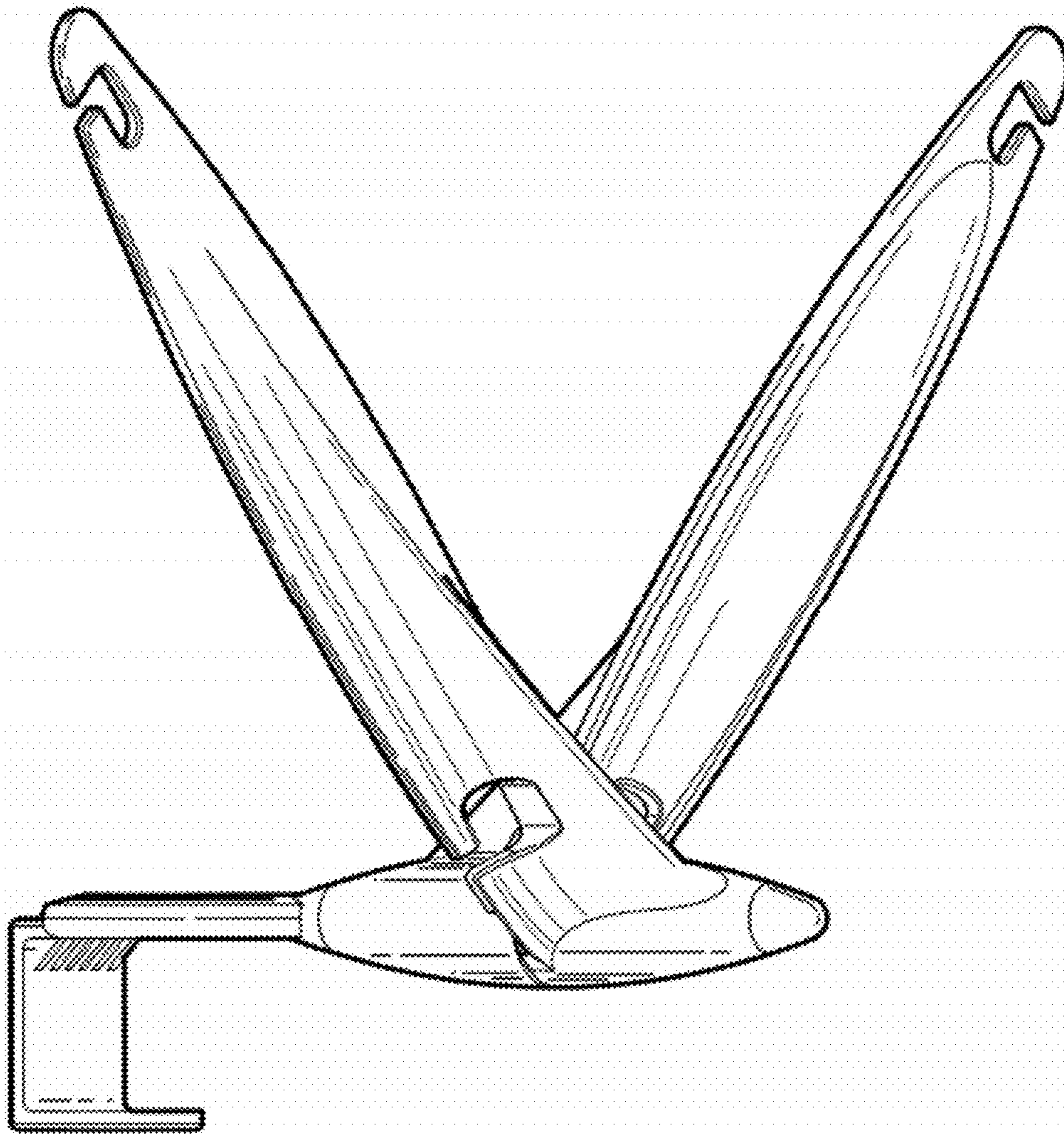


Fig. 5

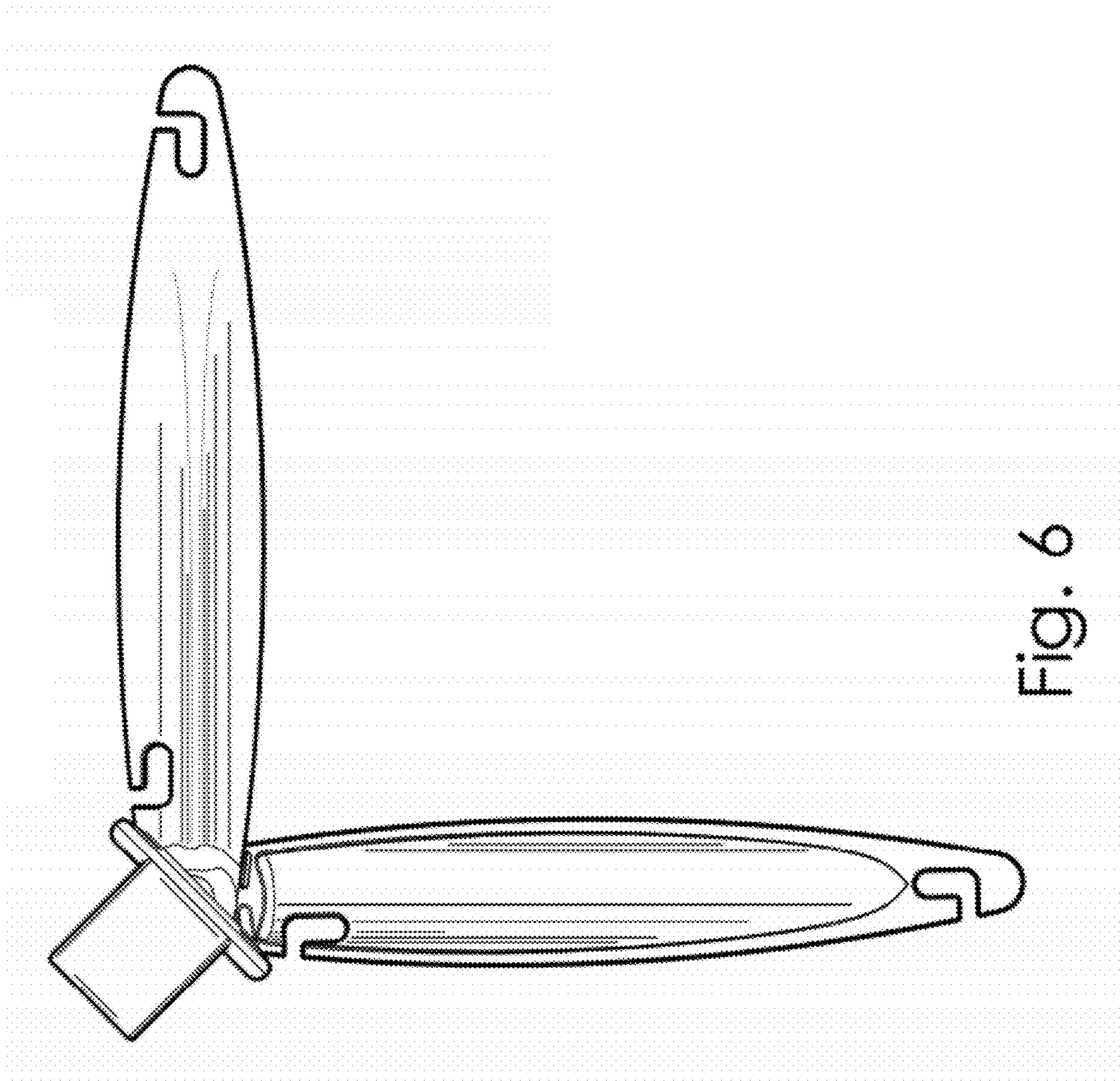
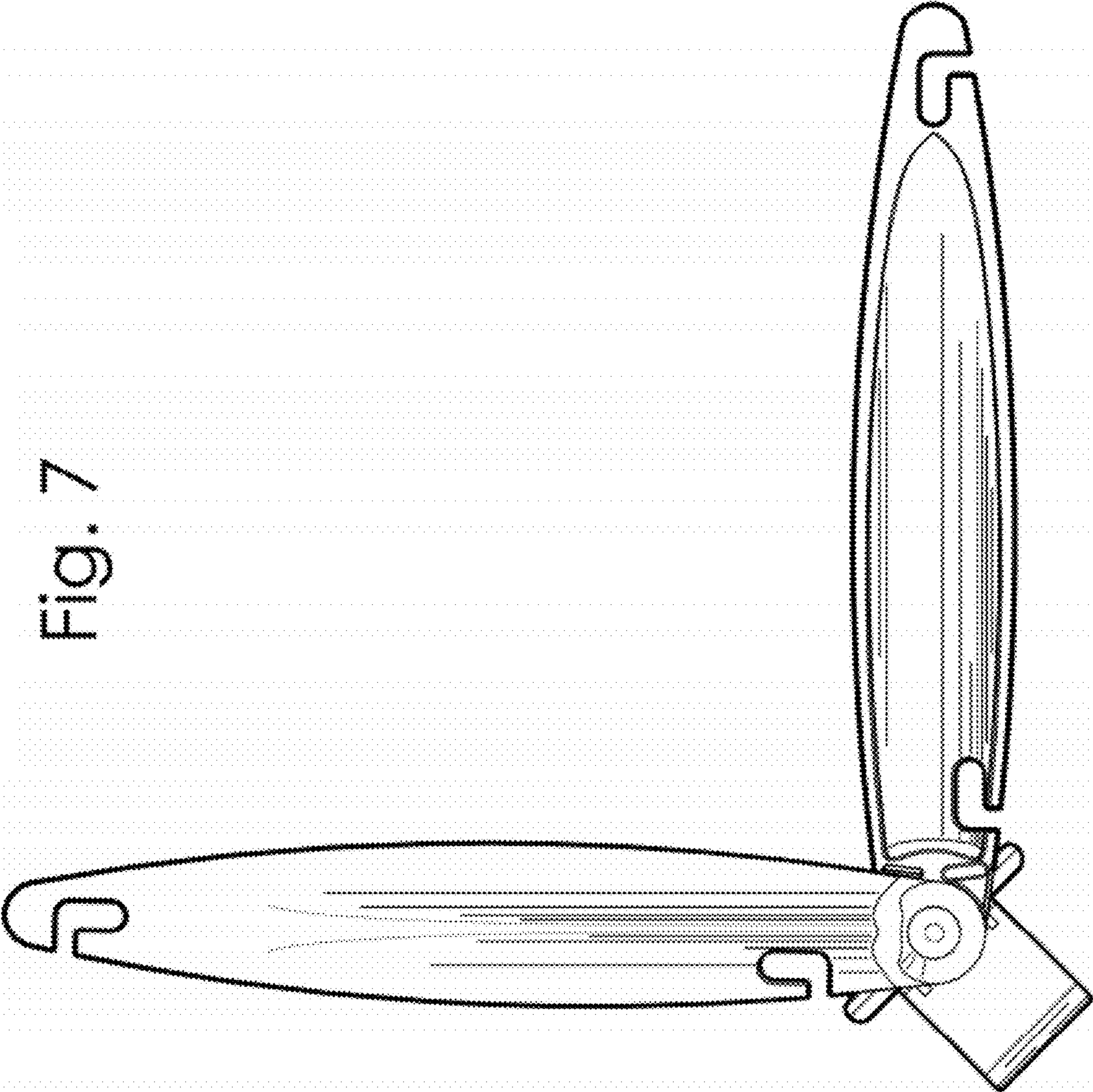


Fig. 6

Fig. 7



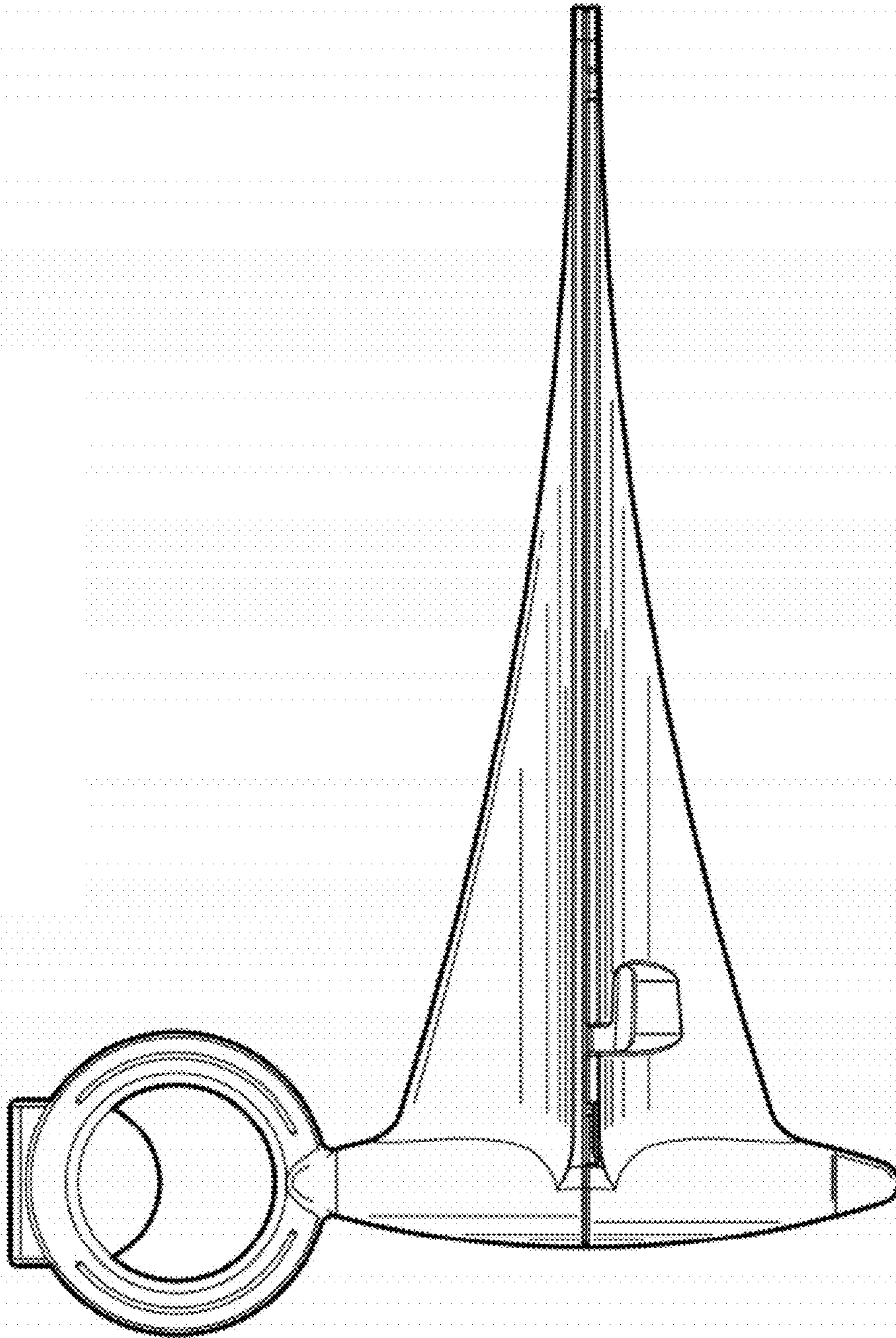


Fig. 8

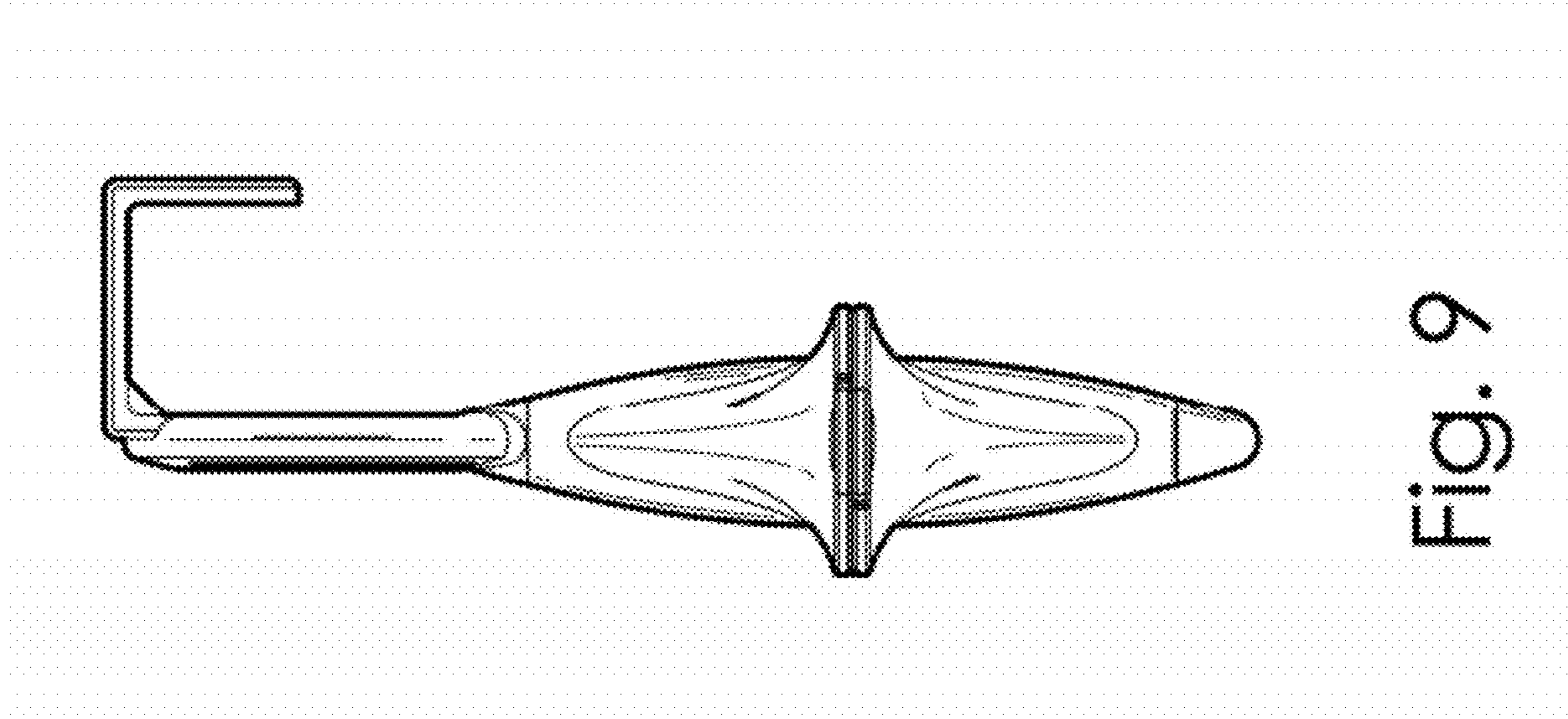


Fig. 9

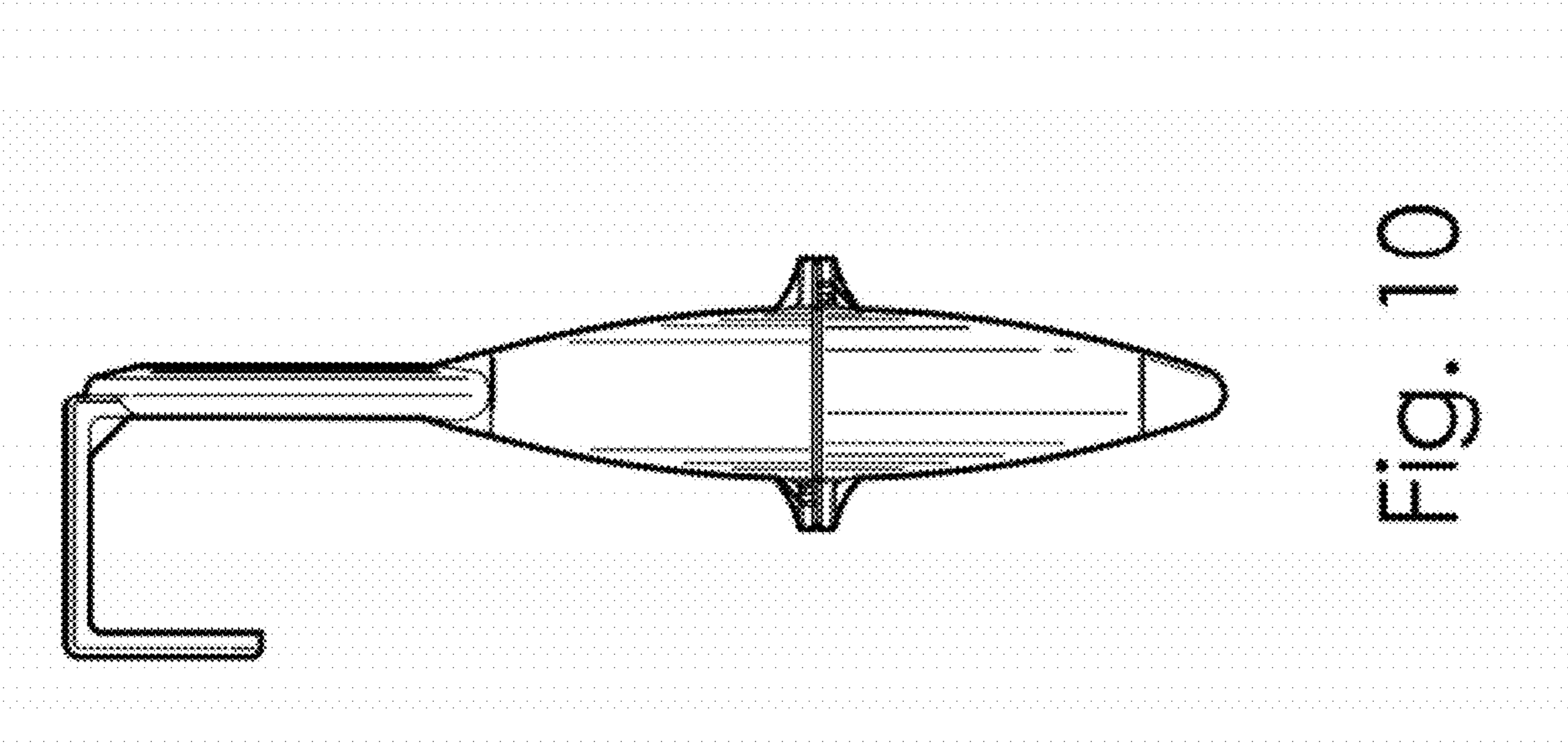


Fig. 10

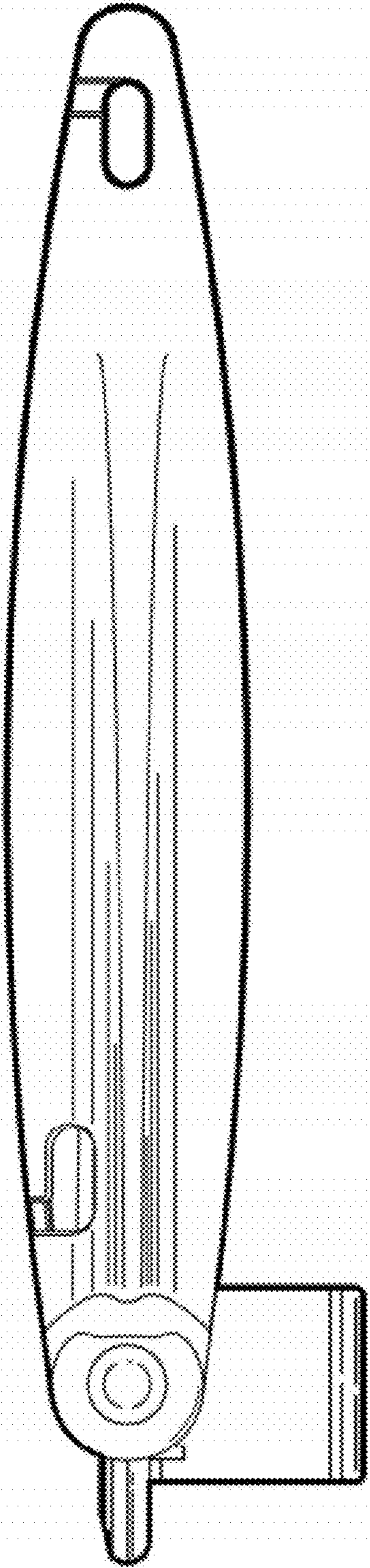


Fig. 11

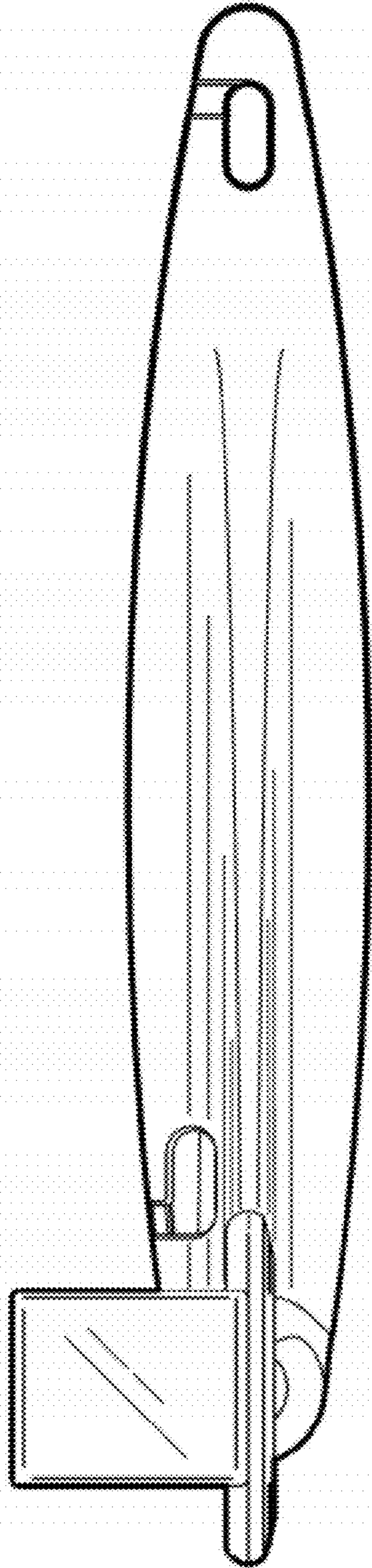


Fig. 12

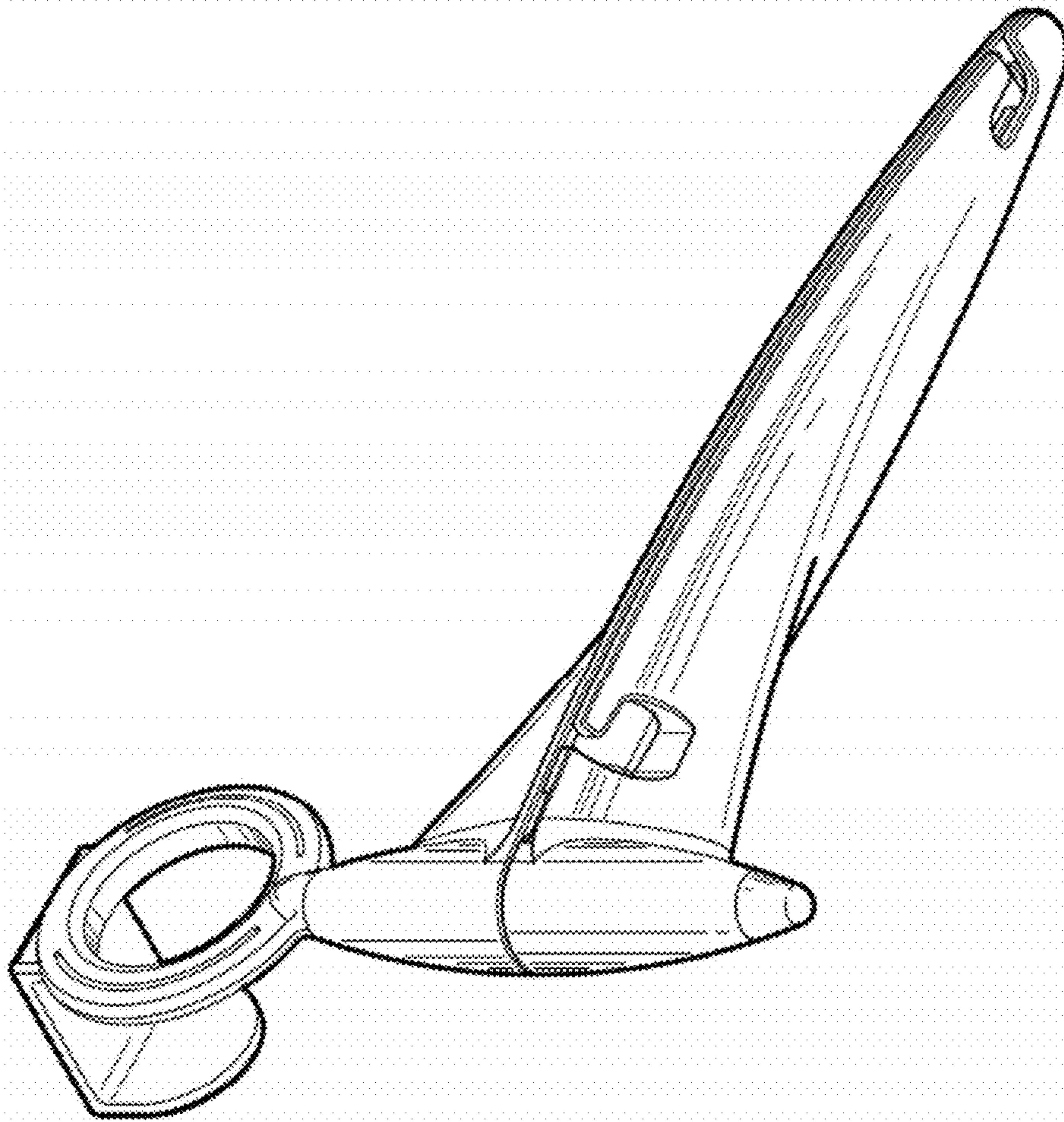


Fig. 13

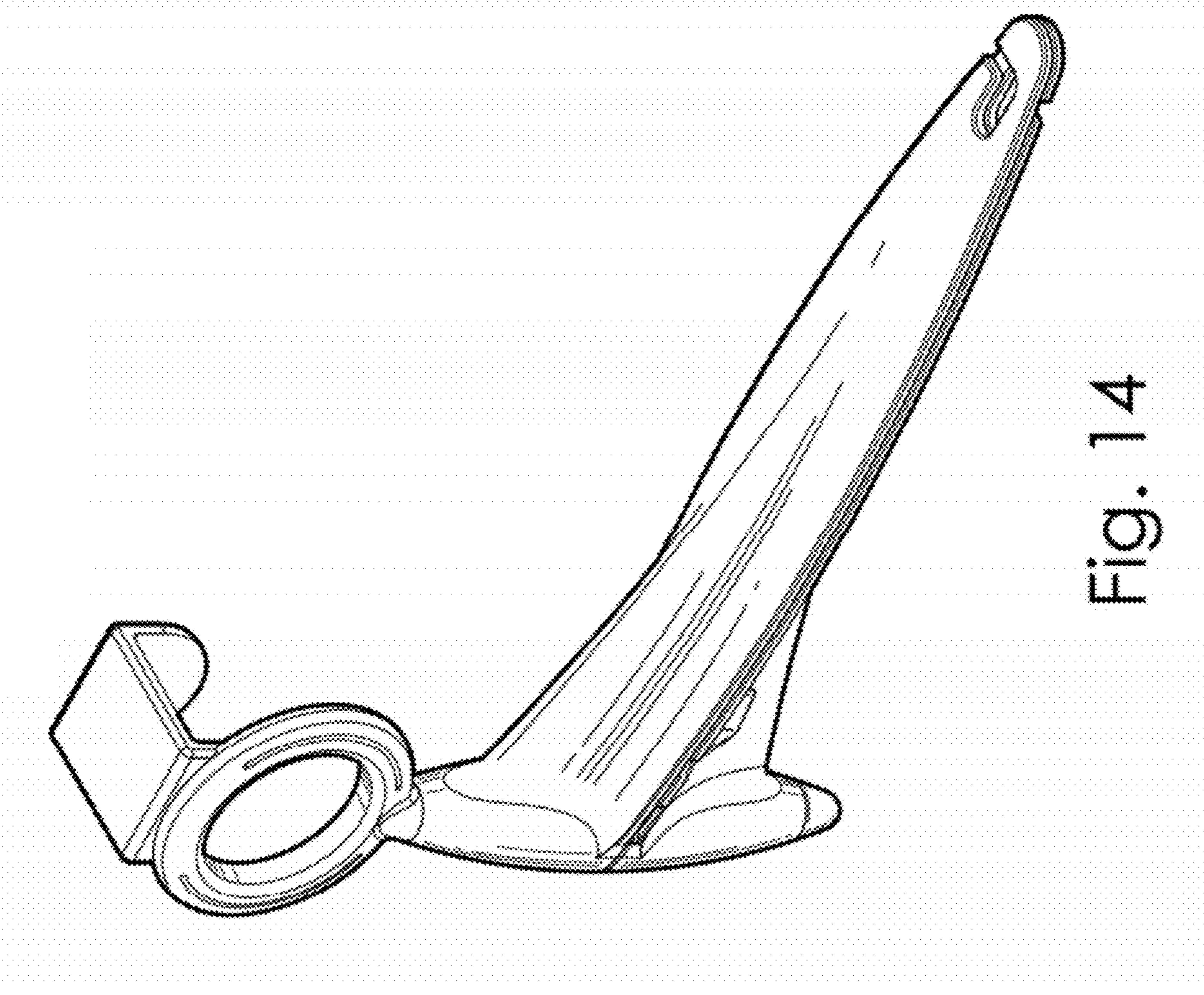


Fig. 14

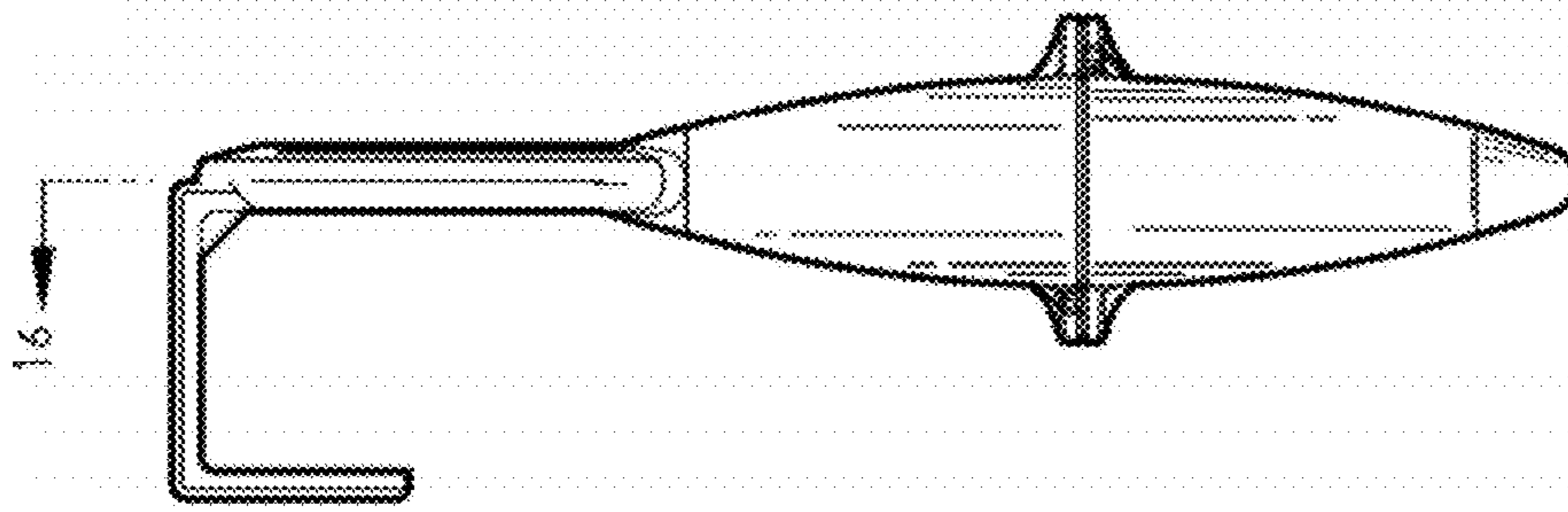


Fig. 15

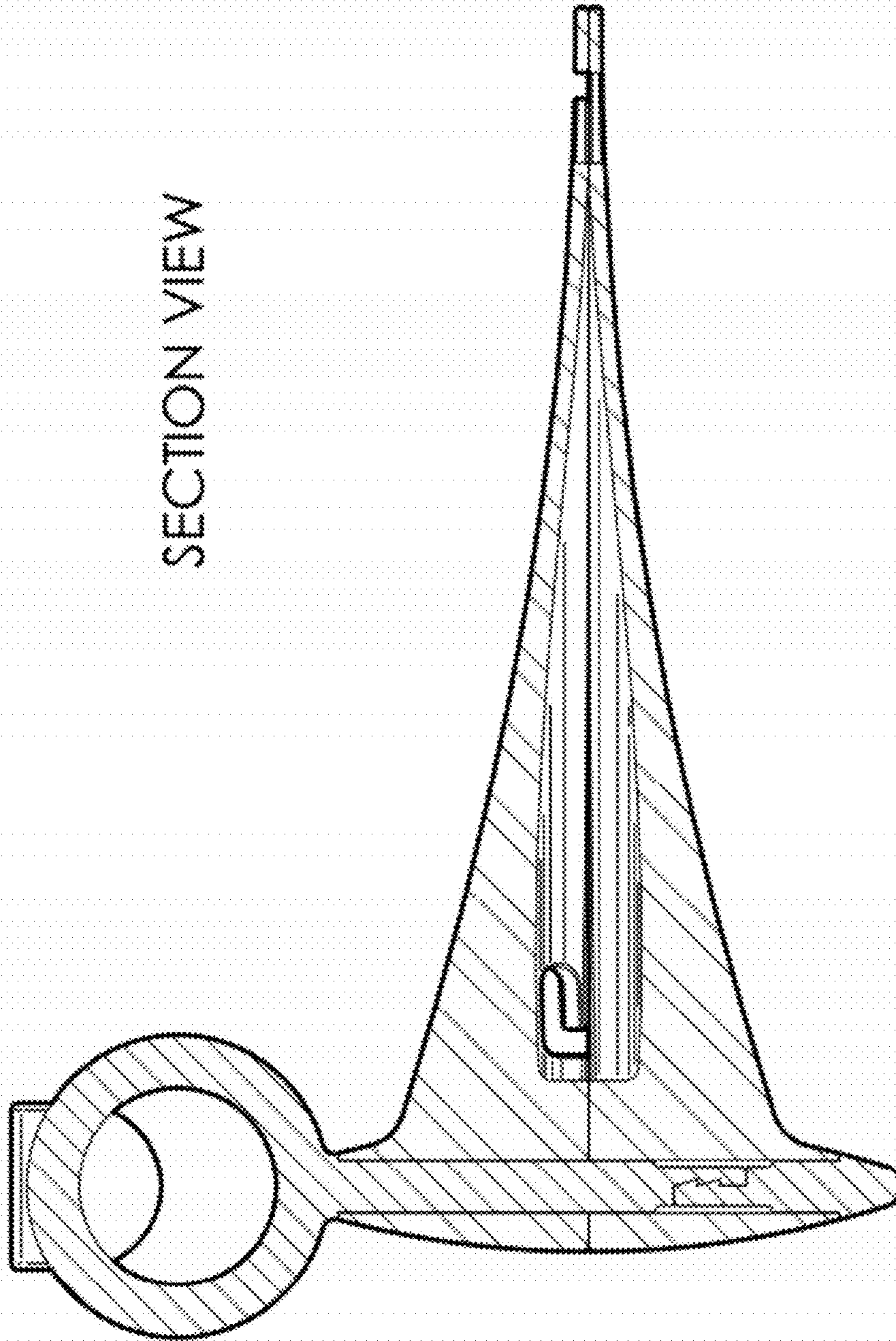


Fig. 16