

US00D663525S

(12) **United States Design Patent**
Rhoades et al.

(10) **Patent No.:** **US D663,525 S**
(45) **Date of Patent:** **** Jul. 17, 2012**

- (54) **STORAGE TUB**
- (75) Inventors: **Randy R. Rhoades**, Boonville, IN (US);
William J. Egloff, Lamar, IN (US);
Christopher S. Klem, Saint Meinrad, IN (US);
Christopher A. Flohr, Tell City, IN (US)
- (73) Assignee: **AZEK Building Products, Inc.**,
Scranton, PA (US)
- (**) Term: **14 Years**
- (21) Appl. No.: **29/386,765**
- (22) Filed: **Mar. 4, 2011**
- (51) **LOC (9) Cl.** **03-01**
- (52) **U.S. Cl.** **D3/314**
- (58) **Field of Classification Search** D3/304–306,
D3/308–309, 312–315; D9/425, 429, 432,
D9/755; 220/485, 493–495; 206/503–510,
206/214–215, 822, 307.1; 229/913–914
See application file for complete search history.

| | | | | |
|----------------|---------|--------------------|-------|----------|
| D395,392 S * | 6/1998 | Lahm et al. | | D9/425 |
| D395,756 S * | 7/1998 | Tanji | | D3/312 |
| D471,713 S * | 3/2003 | Speed | | D3/307 |
| D500,924 S * | 1/2005 | Martin et al. | | D3/302 |
| D502,045 S * | 2/2005 | Isler et al. | | D7/354 |
| D549,454 S * | 8/2007 | Åhman | | D3/304 |
| D554,371 S * | 11/2007 | Åhman | | D3/304 |
| D578,308 S * | 10/2008 | Simas | | D3/314 |
| D586,518 S * | 2/2009 | Moon | | D32/53.1 |
| D600,916 S * | 9/2009 | Schäfer | | D3/304 |
| D603,197 S * | 11/2009 | Hrovat | | D6/510 |
| 7,731,997 B2 * | 6/2010 | Castellanos et al. | | 426/106 |
| D629,682 S * | 12/2010 | Overgaag | | D9/427 |
| D634,121 S * | 3/2011 | Goodman et al. | | D3/306 |
| D637,000 S * | 5/2011 | Goodman et al. | | D3/306 |
| D643,585 S * | 8/2011 | Duvigneau | | D32/37 |

* cited by examiner

Primary Examiner — Kelley Donnelly

(74) *Attorney, Agent, or Firm* — Buchanan Ingersoll & Rooney PC

(57) **CLAIM**

The ornamental design for storage tub, as shown and described.

DESCRIPTION

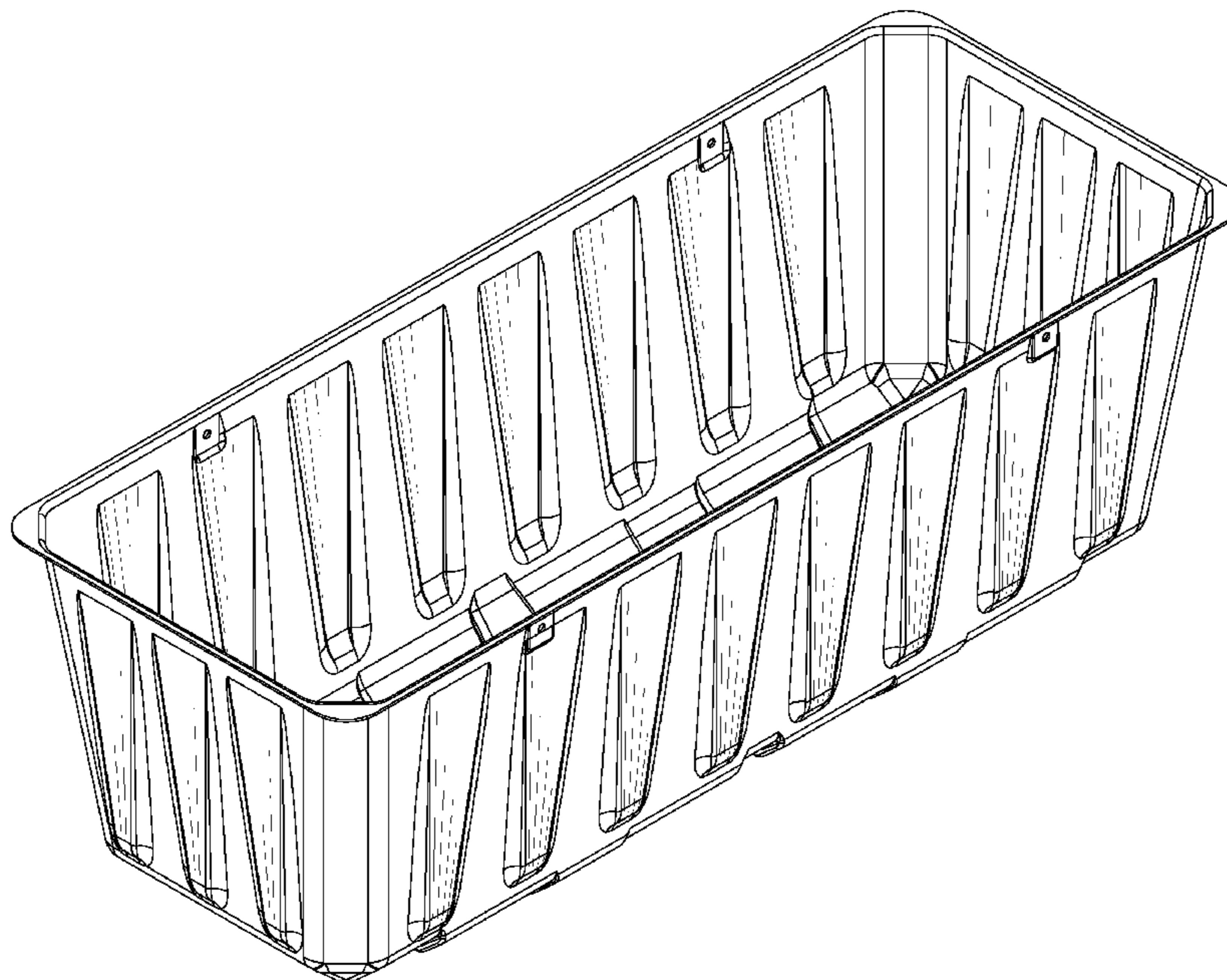
FIG. 1 is a top perspective view of our storage tub;
 FIG. 2 is a front view thereof, the rear view being a mirror image thereof;
 FIG. 3 is a top view thereof;
 FIG. 4 is a bottom view thereof; and,
 FIG. 5 is a left side view thereof, the right side being a mirror image thereof.
 The broken line showing in FIGS. 2 through 5 are for the purpose of illustrating the environment of the design only and form no part of the claimed design.

1 Claim, 5 Drawing Sheets

(56) **References Cited**

U.S. PATENT DOCUMENTS

| | | | | |
|---------------|---------|-----------------|-------|----------|
| D197,311 S * | 1/1964 | Spaak | | D3/307 |
| D197,584 S * | 2/1964 | Neucher et al. | | D9/425 |
| 3,379,339 A * | 4/1968 | Asenbauer | | 206/506 |
| D244,352 S * | 5/1977 | Congleton | | D9/425 |
| D249,233 S * | 9/1978 | Florian | | D9/425 |
| D276,025 S * | 10/1984 | Hexamer | | D9/425 |
| D296,191 S * | 6/1988 | Yoshida et al. | | D9/425 |
| D296,192 S * | 6/1988 | Ramirez | | D9/425 |
| D341,461 S * | 11/1993 | Davidson et al. | | D3/312 |
| D344,658 S * | 3/1994 | Arkoosh et al. | | D7/554.3 |
| D353,997 S * | 1/1995 | Kashino et al. | | D9/425 |
| D370,176 S * | 5/1996 | Wyslotsky | | D9/425 |



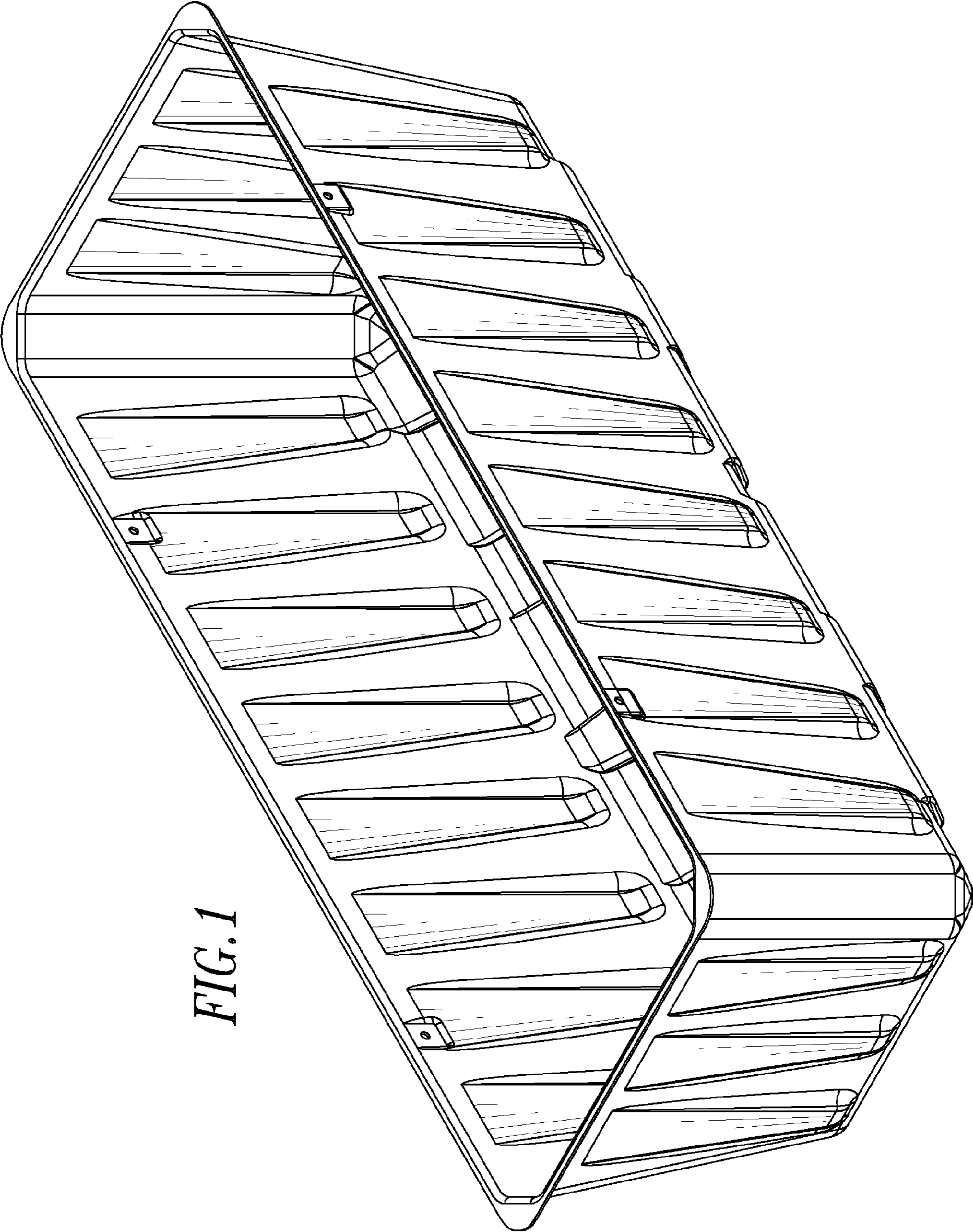


FIG. 1

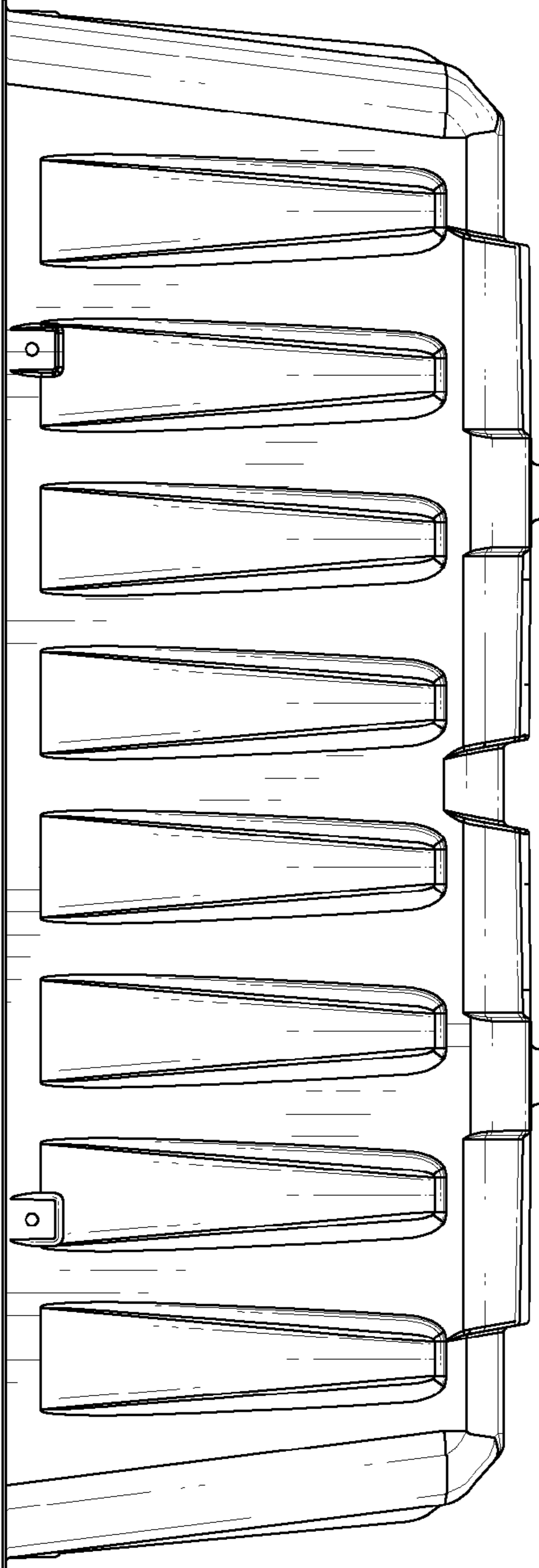


FIG. 2

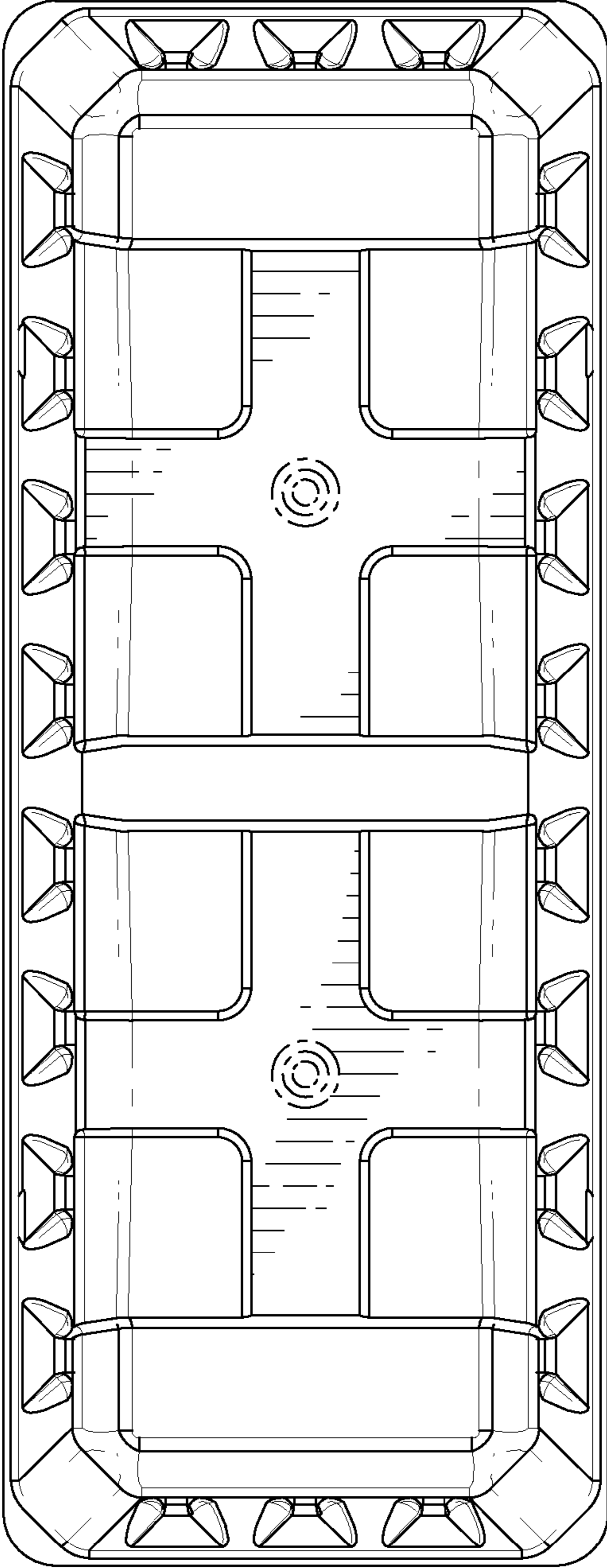


FIG. 3

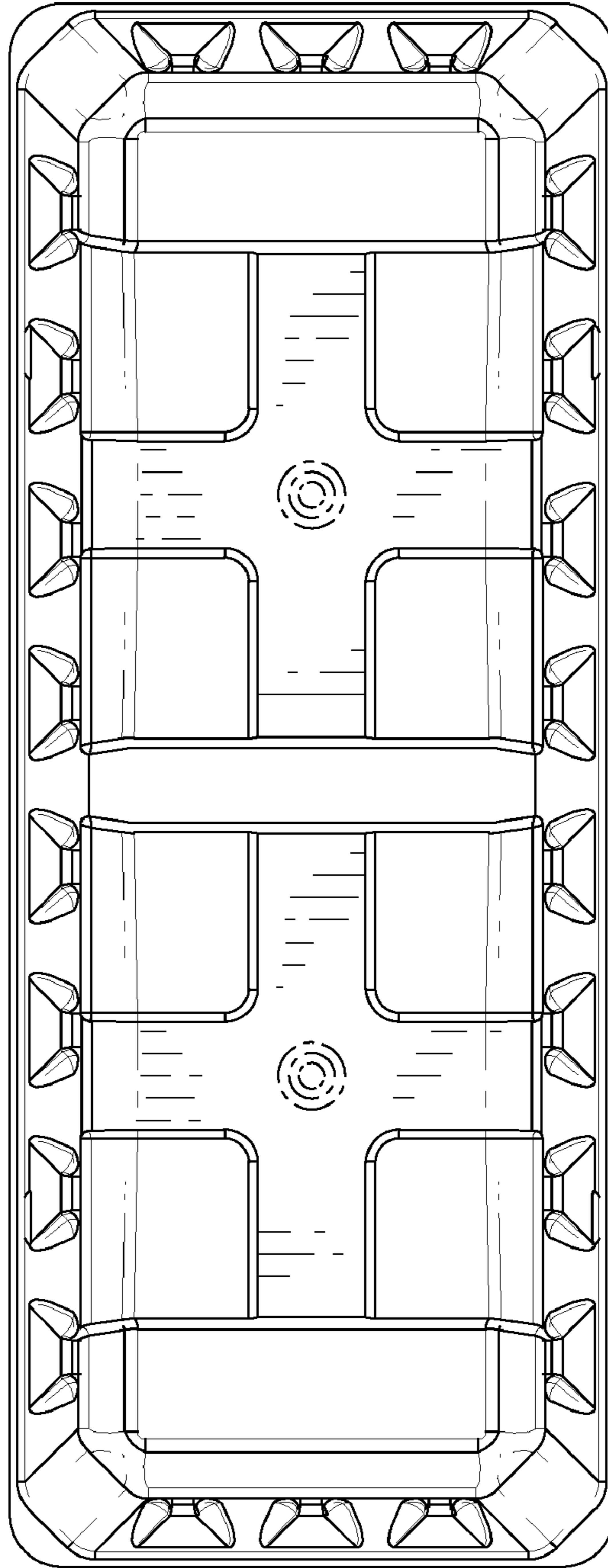


FIG. 4

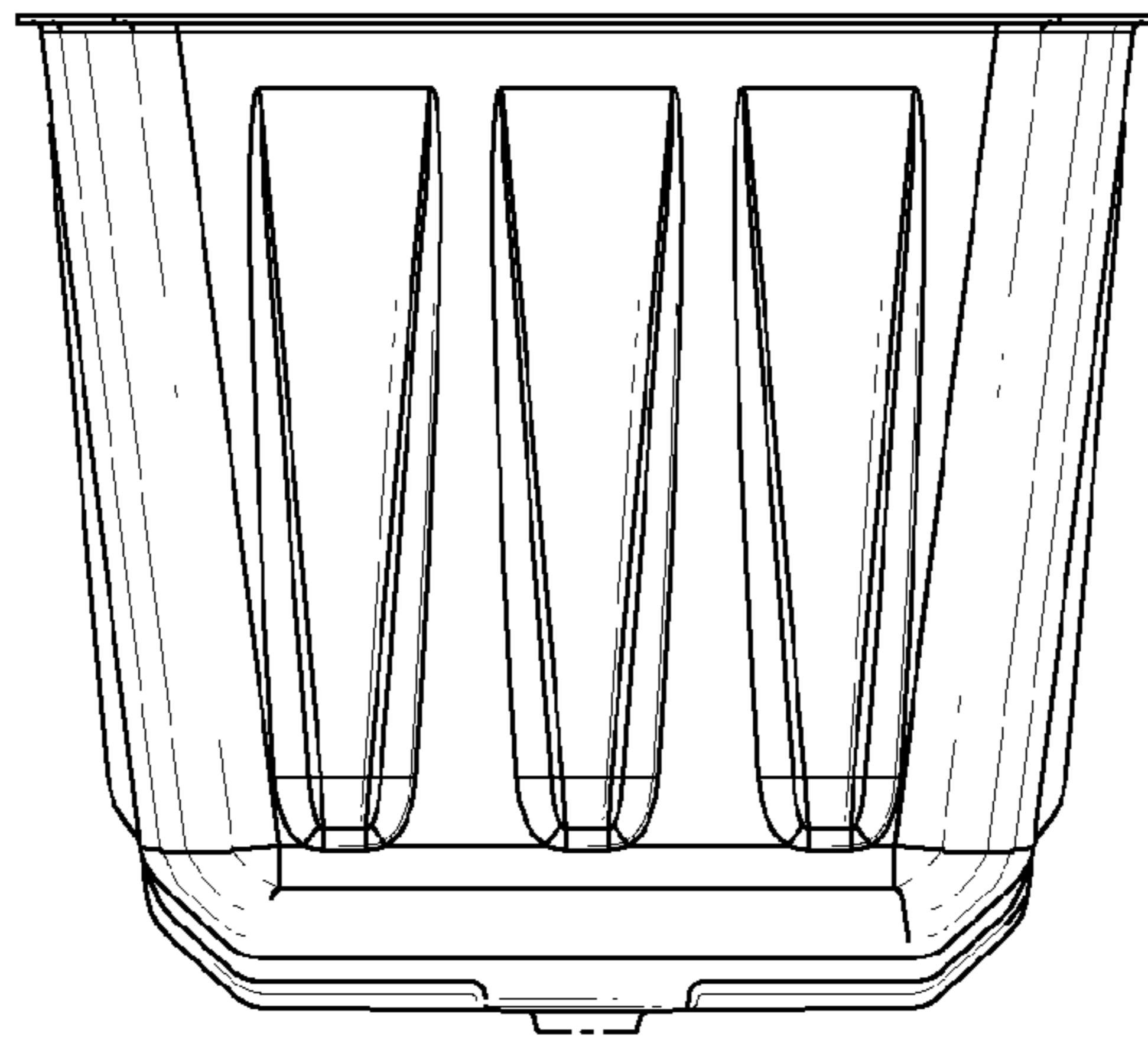


FIG. 5