

US00D663522S

(12) **United States Design Patent**  
**Schiffman**

(10) **Patent No.:** **US D663,522 S**  
(45) **Date of Patent:** **\*\* Jul. 17, 2012**

(54) **TOTE BAG**

(76) Inventor: **Wendela Schiffman**, Los Altos, CA  
(US)

(\*\*) Term: **14 Years**

(21) Appl. No.: **29/385,261**

(22) Filed: **Feb. 10, 2011**

(51) **LOC (9) Cl.** ..... **03-01**

(52) **U.S. Cl.** ..... **D3/232**

(58) **Field of Classification Search** ..... D3/232-233,  
D3/240-246, 318; 150/100, 102-110, 113-114,  
150/118-119

See application file for complete search history.

(56) **References Cited**

**U.S. PATENT DOCUMENTS**

D184,689 S \* 3/1959 Schoenfeld ..... D3/232  
D350,874 S \* 9/1994 Gowin ..... D7/606

D537,357 S \* 2/2007 Holt ..... D9/631  
D621,153 S \* 8/2010 Parsley et al. .... D3/232  
D631,247 S \* 1/2011 Sabbah ..... D3/232

\* cited by examiner

*Primary Examiner* — Holly Baynham

(74) *Attorney, Agent, or Firm* — Fenwick & West LLP

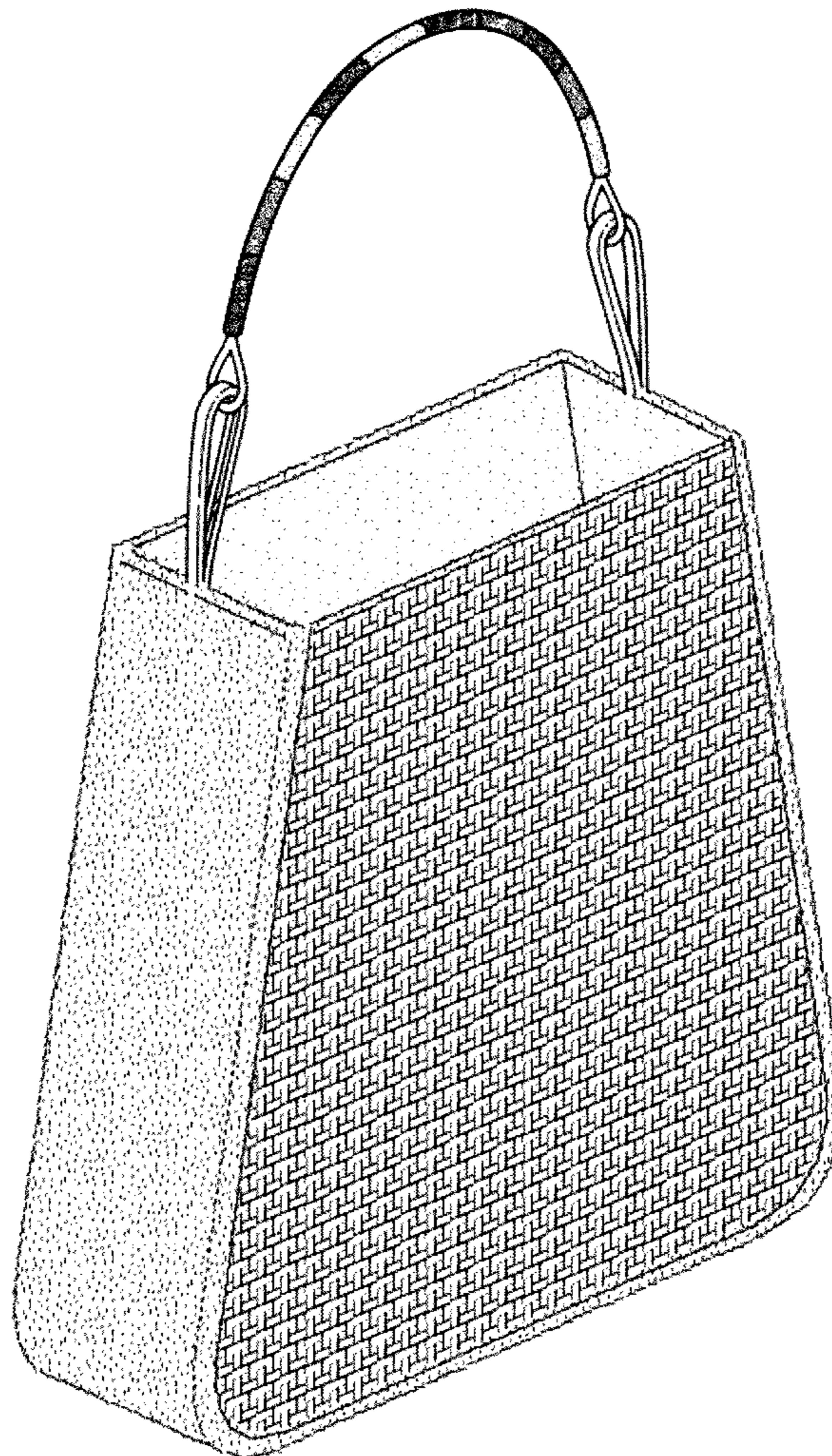
(57) **CLAIM**

An ornamental design for a tote bag, as shown and described.

**DESCRIPTION**

FIG. 1 is a front perspective view of the tote bag according to the present invention;  
FIG. 2 is a front view thereof;  
FIG. 3 is a rear view thereof;  
FIG. 4 is a left side view thereof;  
FIG. 5 is a right side view thereof;  
FIG. 6 is a top view thereof; and,  
FIG. 7 is a bottom view thereof.

**1 Claim, 5 Drawing Sheets**





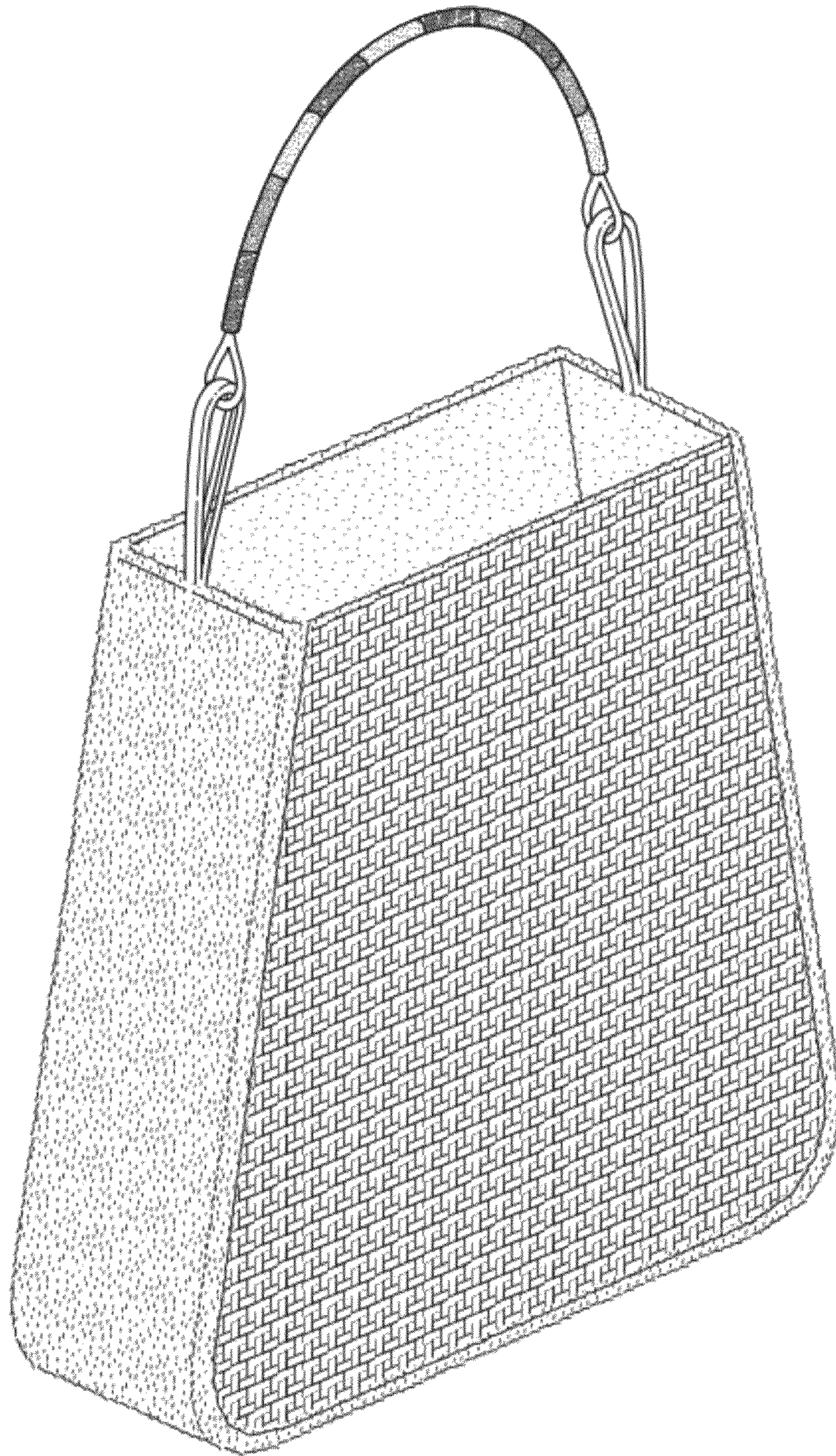


FIG. 1



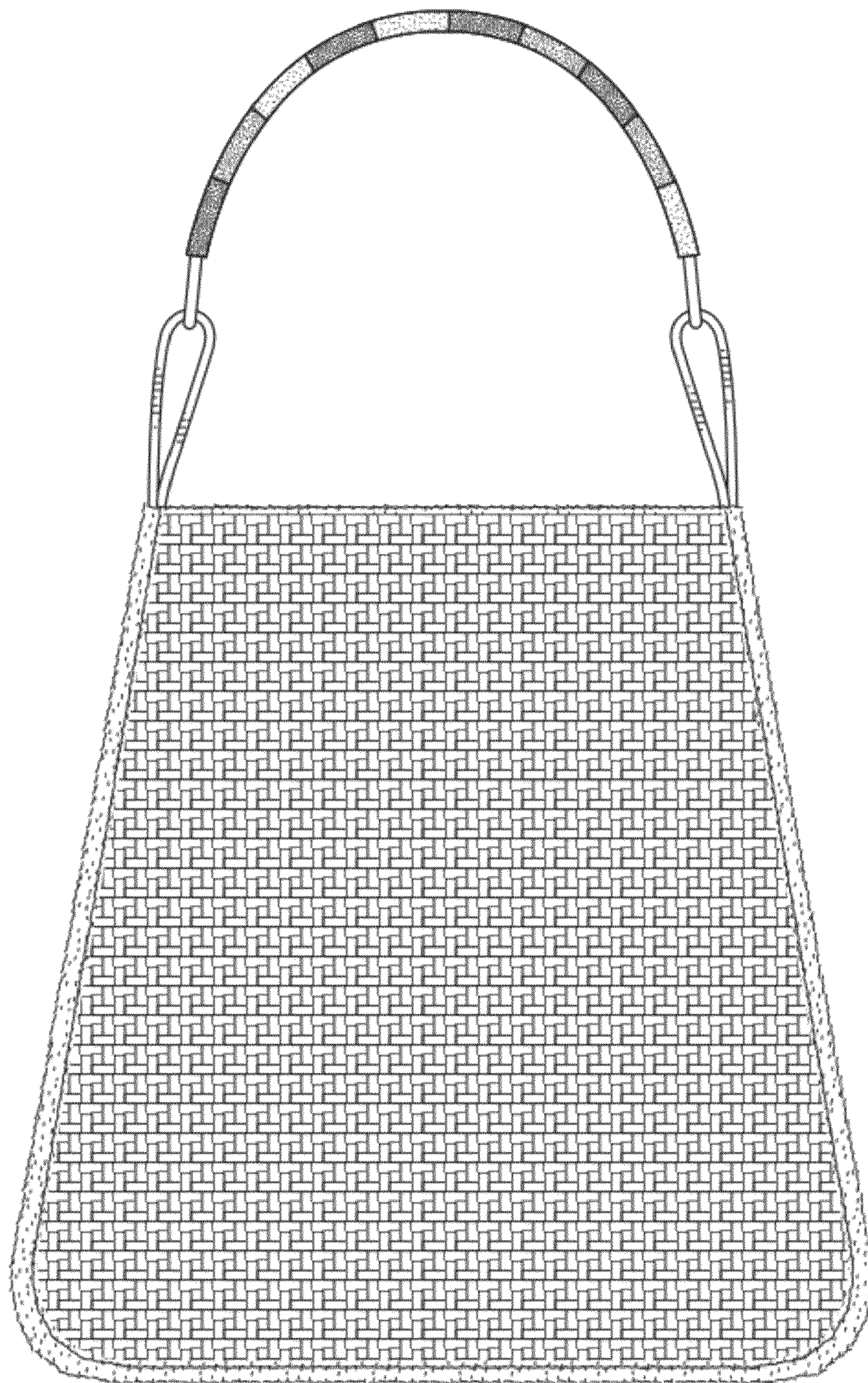


FIG. 2



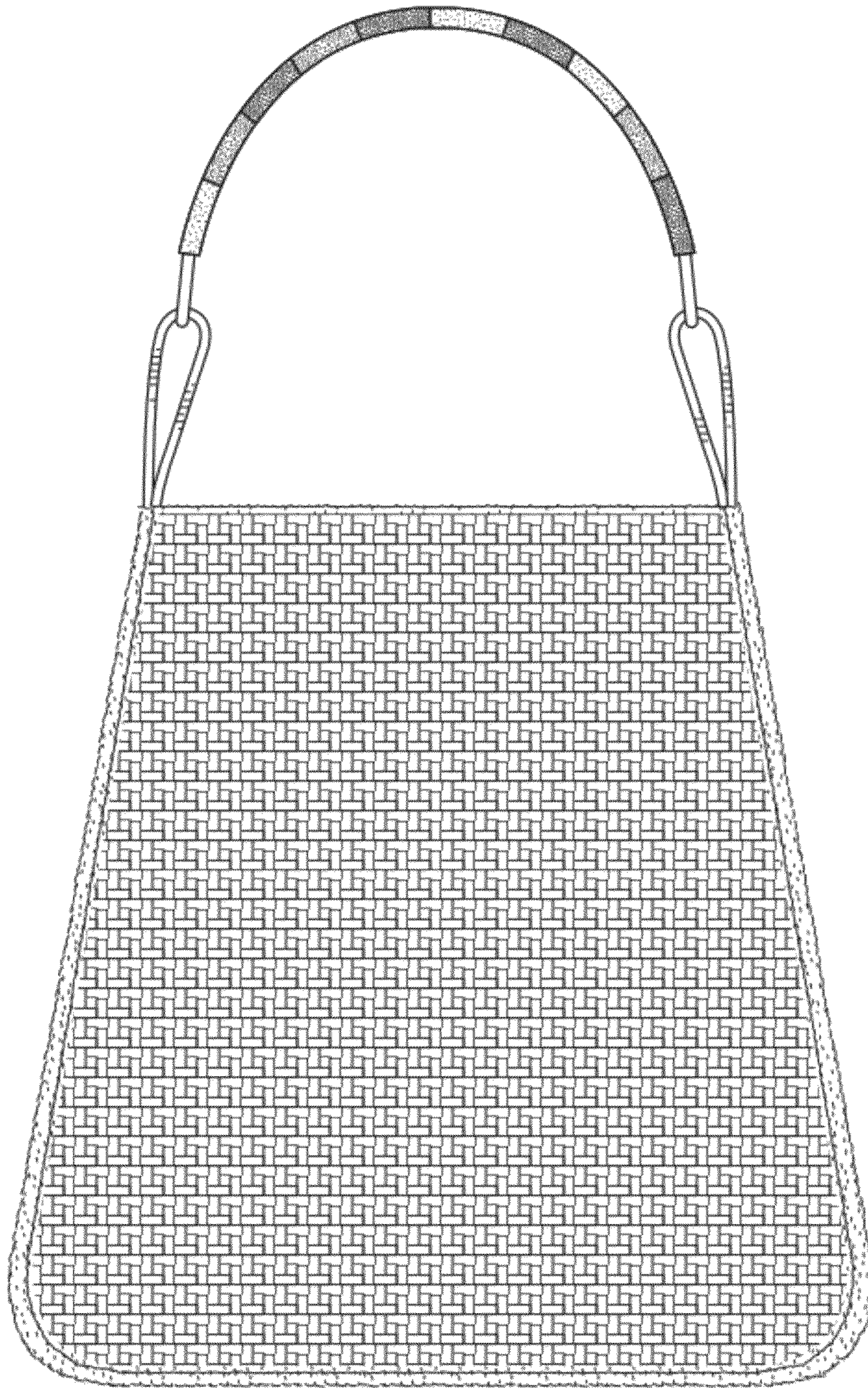


FIG. 3



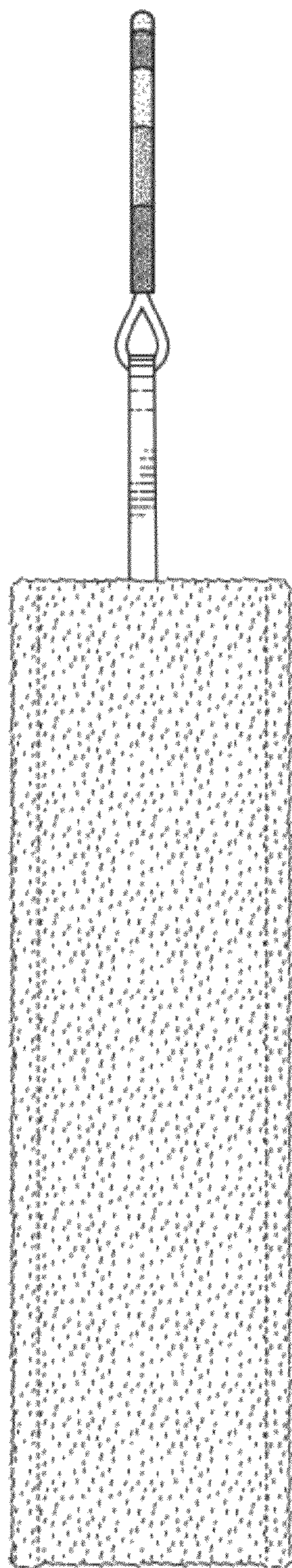


FIG. 4

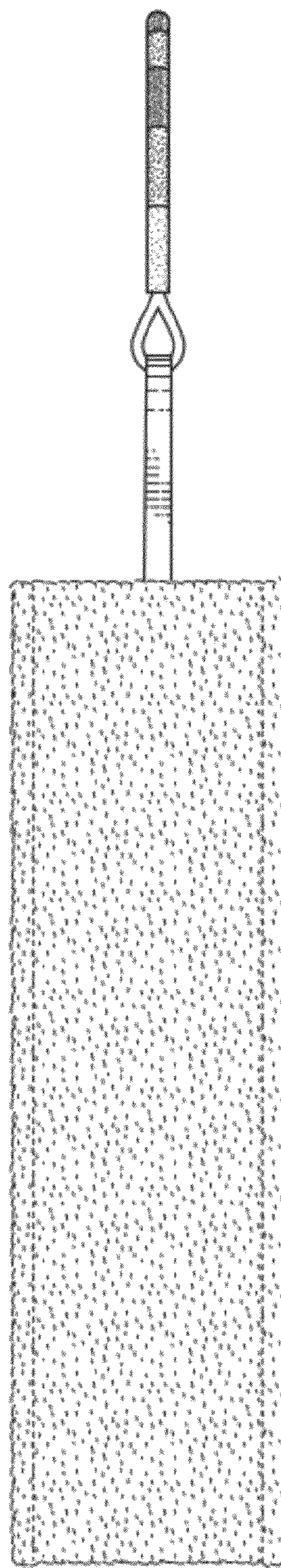


FIG. 5



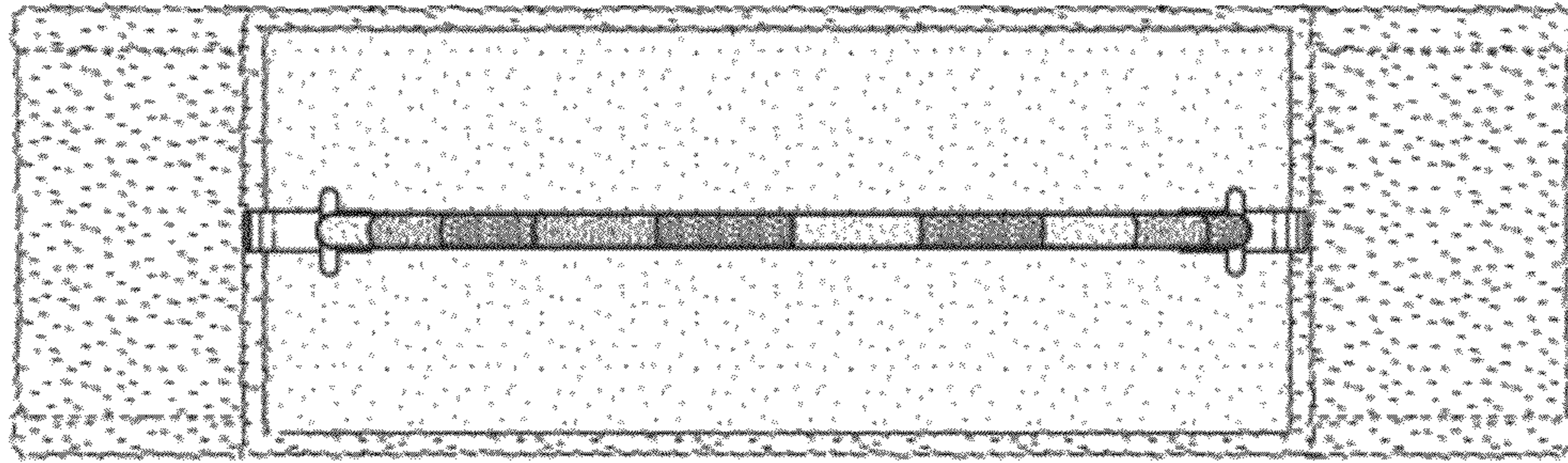


FIG. 6

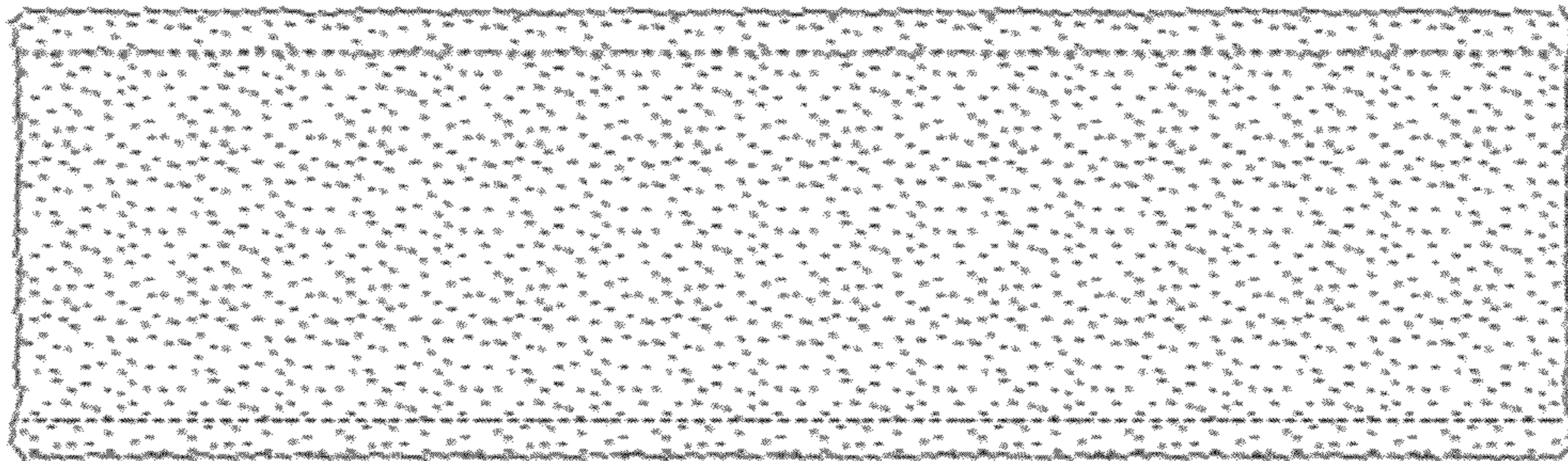


FIG. 7