



US00D663507S

(12) **United States Design Patent**
Nguyen

(10) **Patent No.:** **US D663,507 S**
(45) **Date of Patent:** **** Jul. 17, 2012**

(54) **BOW BOTTOM SWIMWEAR**

(76) Inventor: **Vy Ngoc Nguyen**, Chino Hills, CA (US)

(**) Term: **14 Years**

(21) Appl. No.: **29/415,879**

(22) Filed: **Mar. 15, 2012**

(51) **LOC (9) Cl.** **02-02**

(52) **U.S. Cl.** **D2/738**

(58) **Field of Classification Search** D2/700,
D2/712, 731, 737, 738, 742; 2/79, 227, 228,
2/234-239, 67, 406

See application file for complete search history.

(56) **References Cited**

U.S. PATENT DOCUMENTS

2,854,669	A *	10/1958	Cohen	2/67
2,898,918	A *	8/1959	Roura et al.	450/101
5,561,858	A *	10/1996	Poirier	2/67
6,412,119	B1 *	7/2002	Robles	2/400
7,168,096	B1 *	1/2007	Landa et al.	2/67
D646,867	S *	10/2011	Cassoli	D2/712

FOREIGN PATENT DOCUMENTS

CH 664880 A * 4/1988

OTHER PUBLICATIONS

Swell. <http://www.swell.com/!JBd6vIDJdTgmaVJSiY1C1Q!/ruffle-bikini/LOLLI-BOW-BOTTOM-1?cs=Pl>. Date Unknown: Viewed May 2012. Lollo Bow Bottom.*

Nic del Mar. <http://www.nicdelmar.com/kids-teens/lolli-bow-babykini.html>. Copyright 2011. Lolli Bow Babykini.*

* cited by examiner

Primary Examiner — Rashida Johnson

(74) *Attorney, Agent, or Firm* — Omni Legal Group; Omid E. Khalifeh

(57) **CLAIM**

The ornamental design for bow bottom swimwear, as shown and described.

DESCRIPTION

FIG. 1 is a perspective view of bow bottom swimwear according to the present invention;

FIG. 2 is a front view of bow bottom swimwear according to the present invention;

FIG. 3 is a rear view of bow bottom swimwear according to the present invention;

FIG. 4 is a side view of bow bottom swimwear according to the present invention;

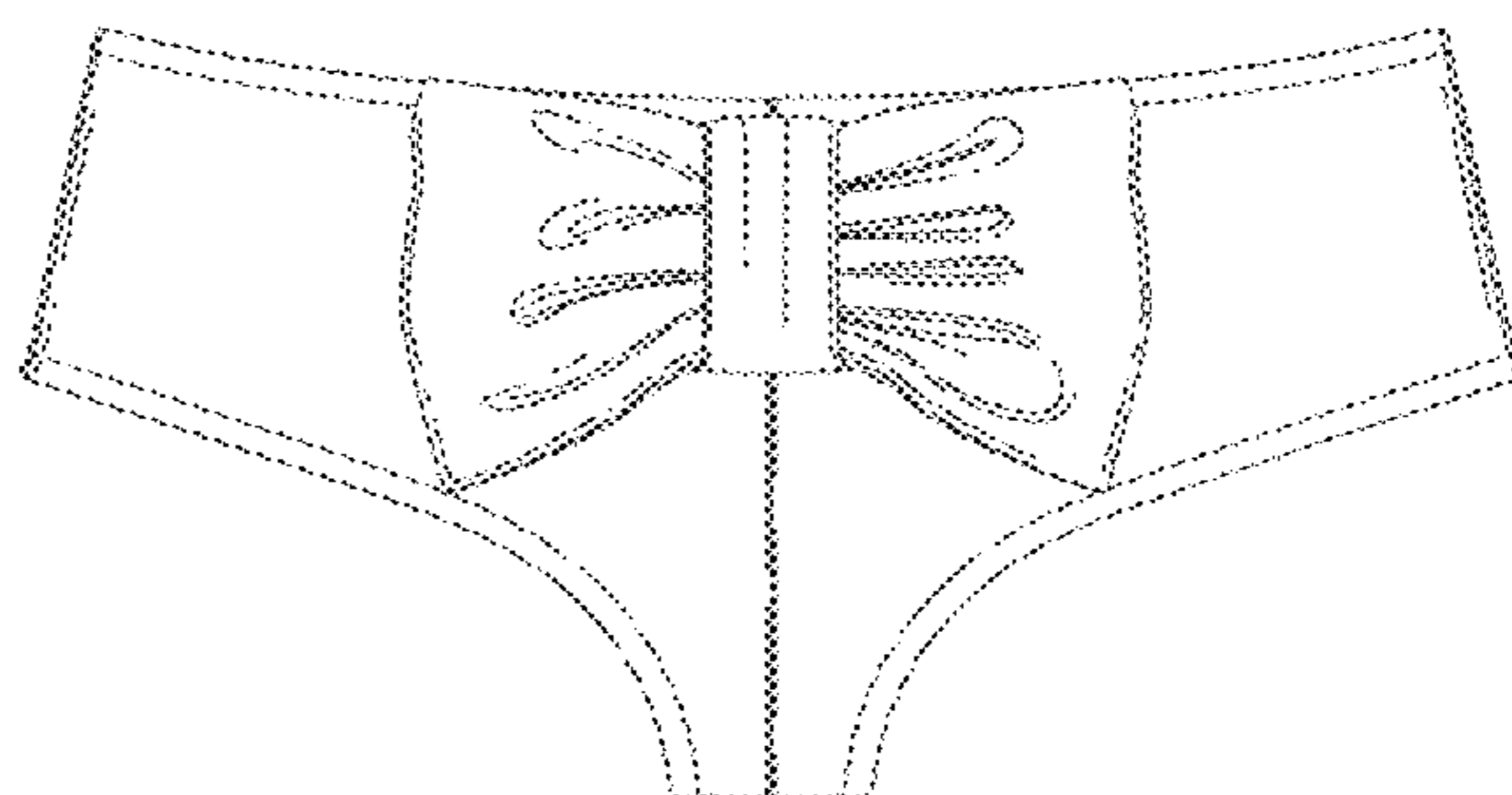
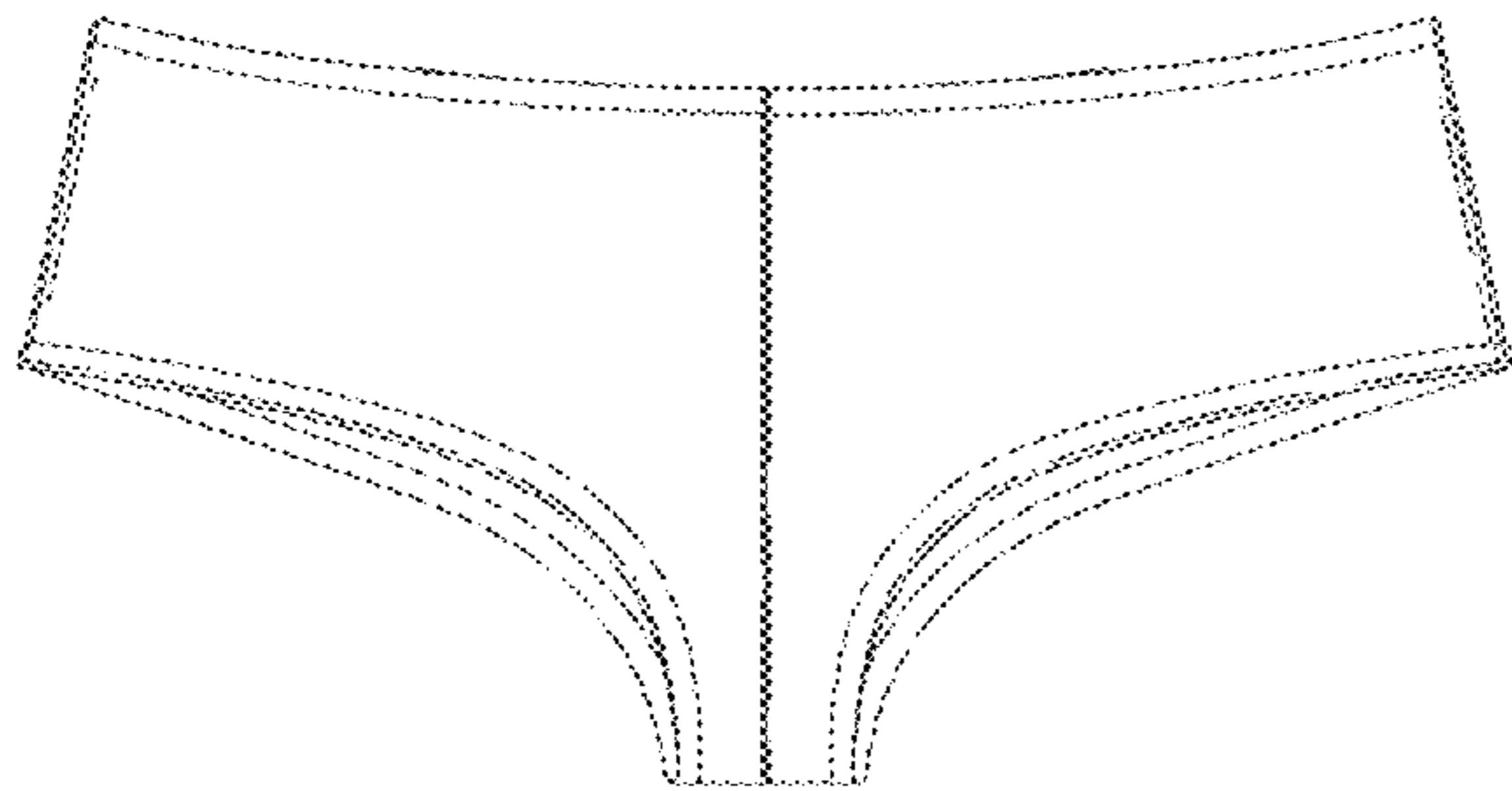
FIG. 5 is a second side view of bow bottom swimwear according to the present invention;

FIG. 6 is a top view of bow bottom swimwear according to the present invention; and,

FIG. 7 is a bottom view of bow bottom swimwear according to the present invention.

The broken lines shown in the drawings are for the purpose of illustrating portions of the bow bottom swimwear and form no part of the claimed design.

1 Claim, 5 Drawing Sheets



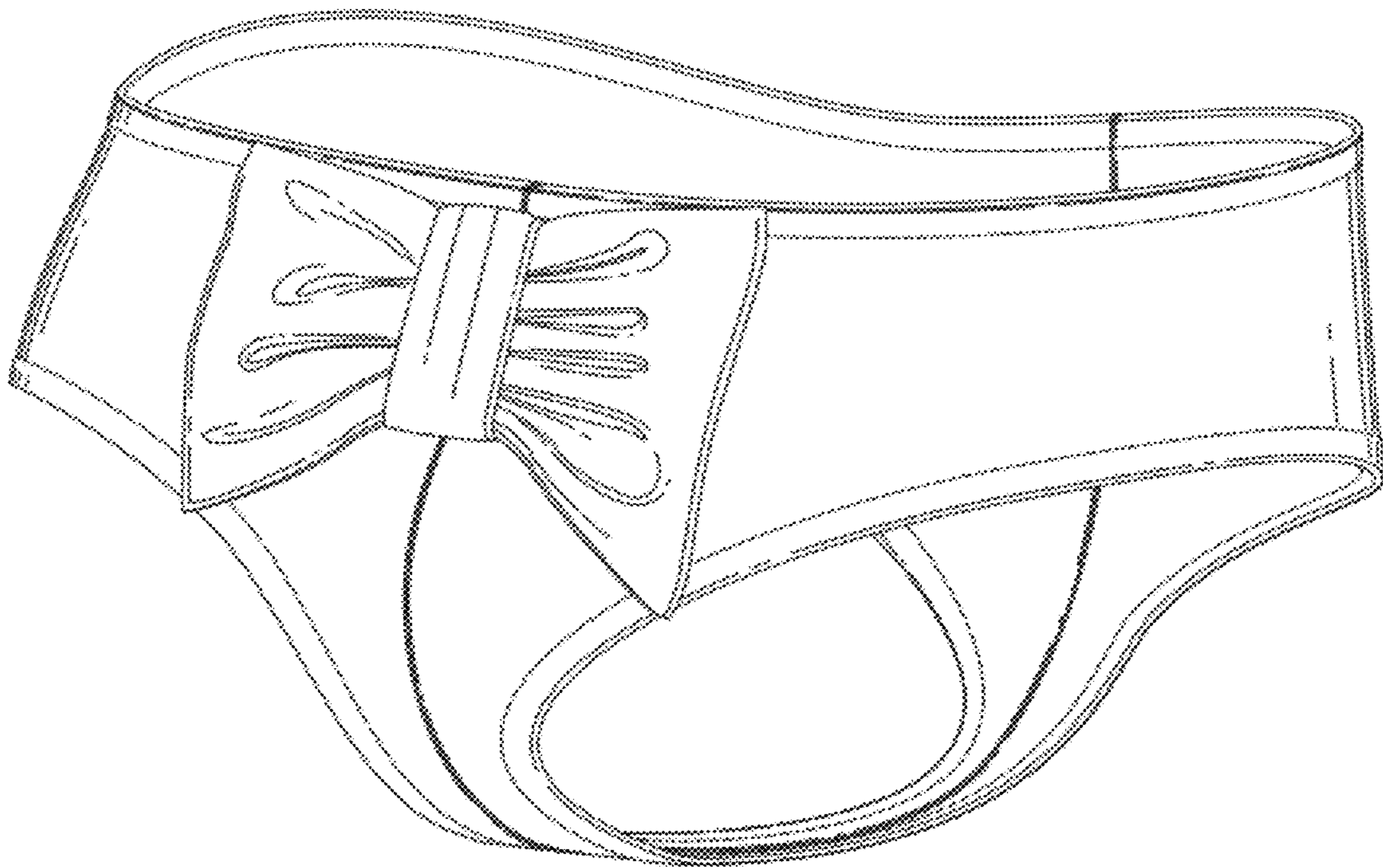


FIG. 1

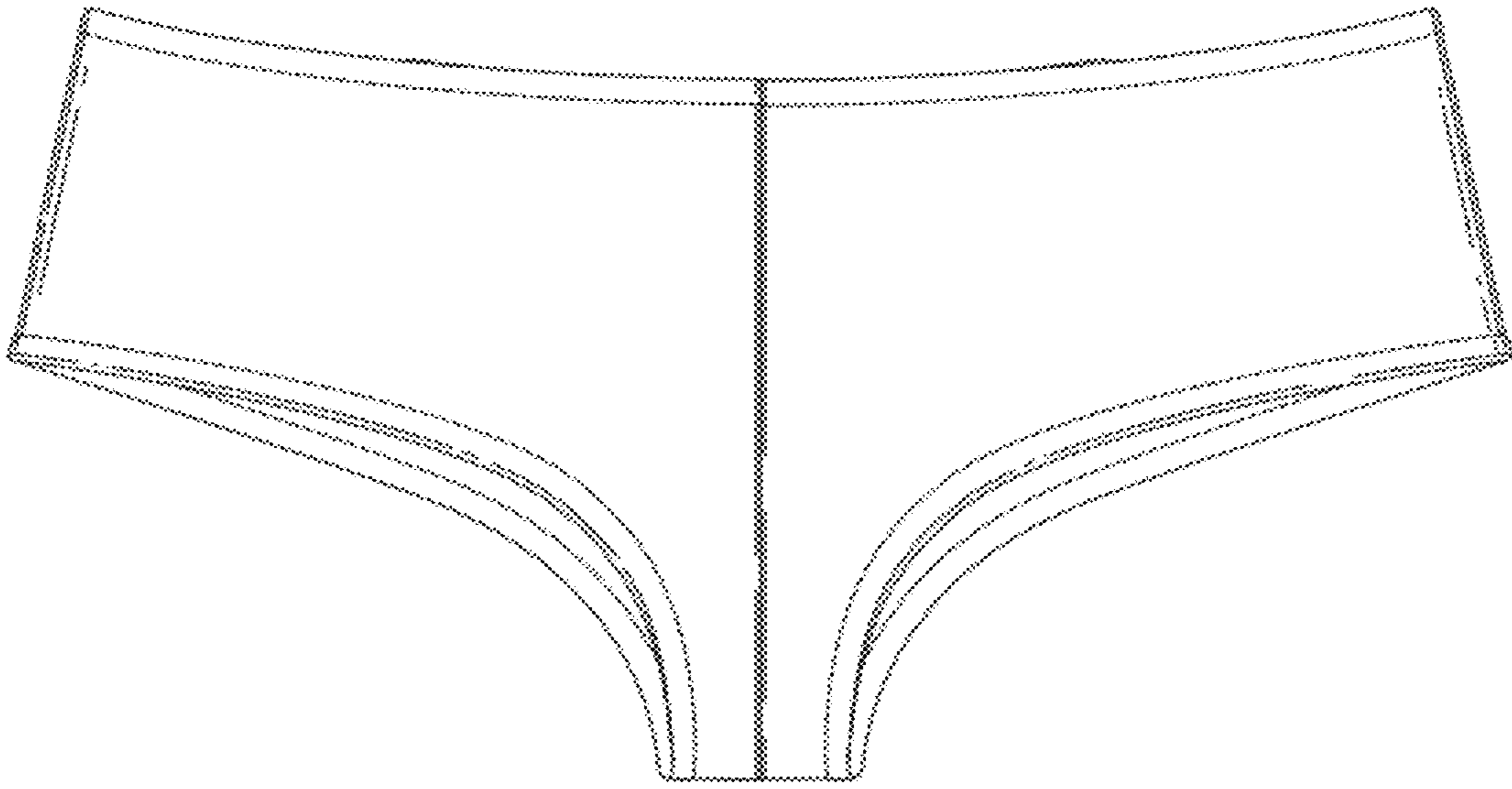


FIG. 2

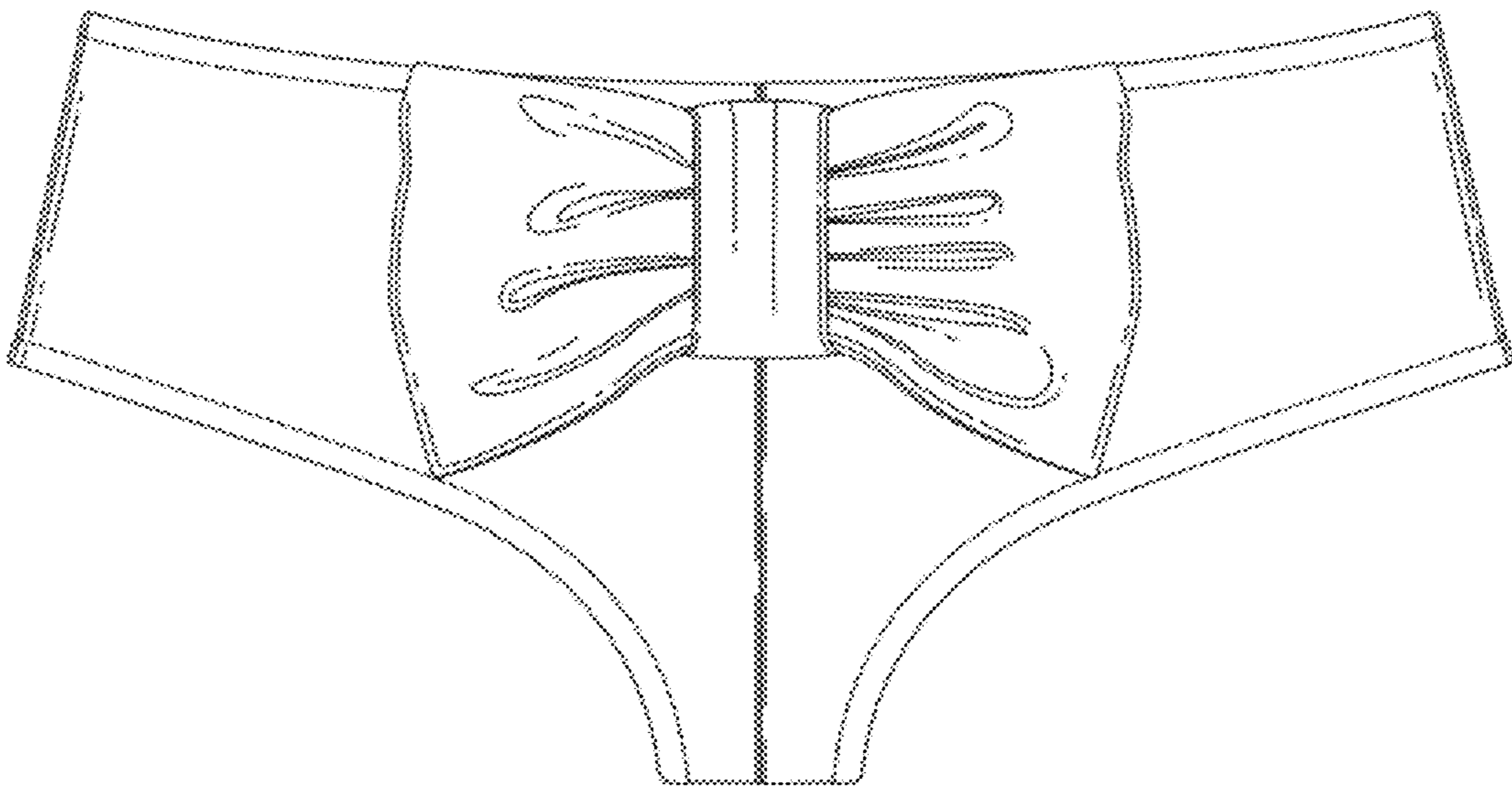


FIG. 3

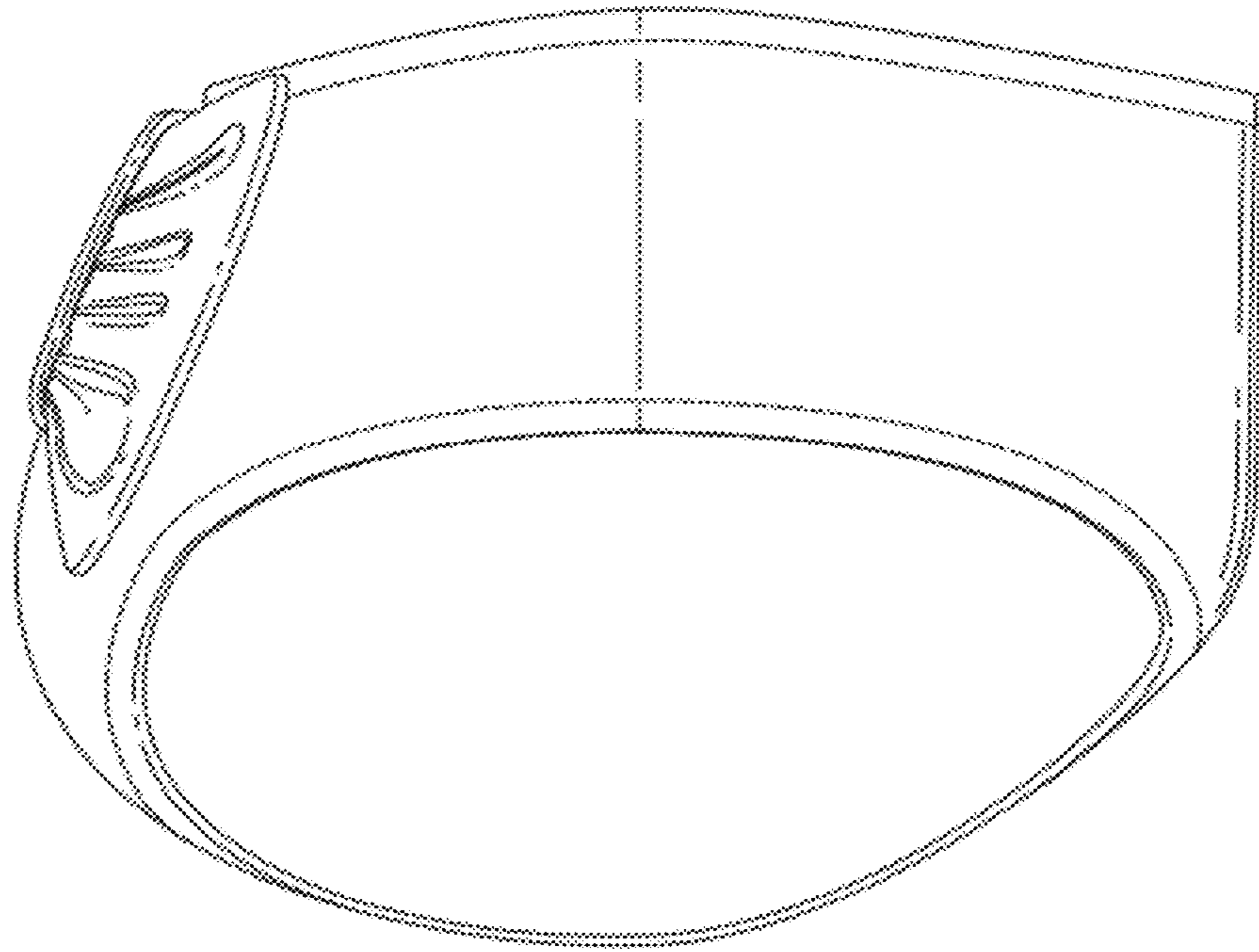


FIG. 4

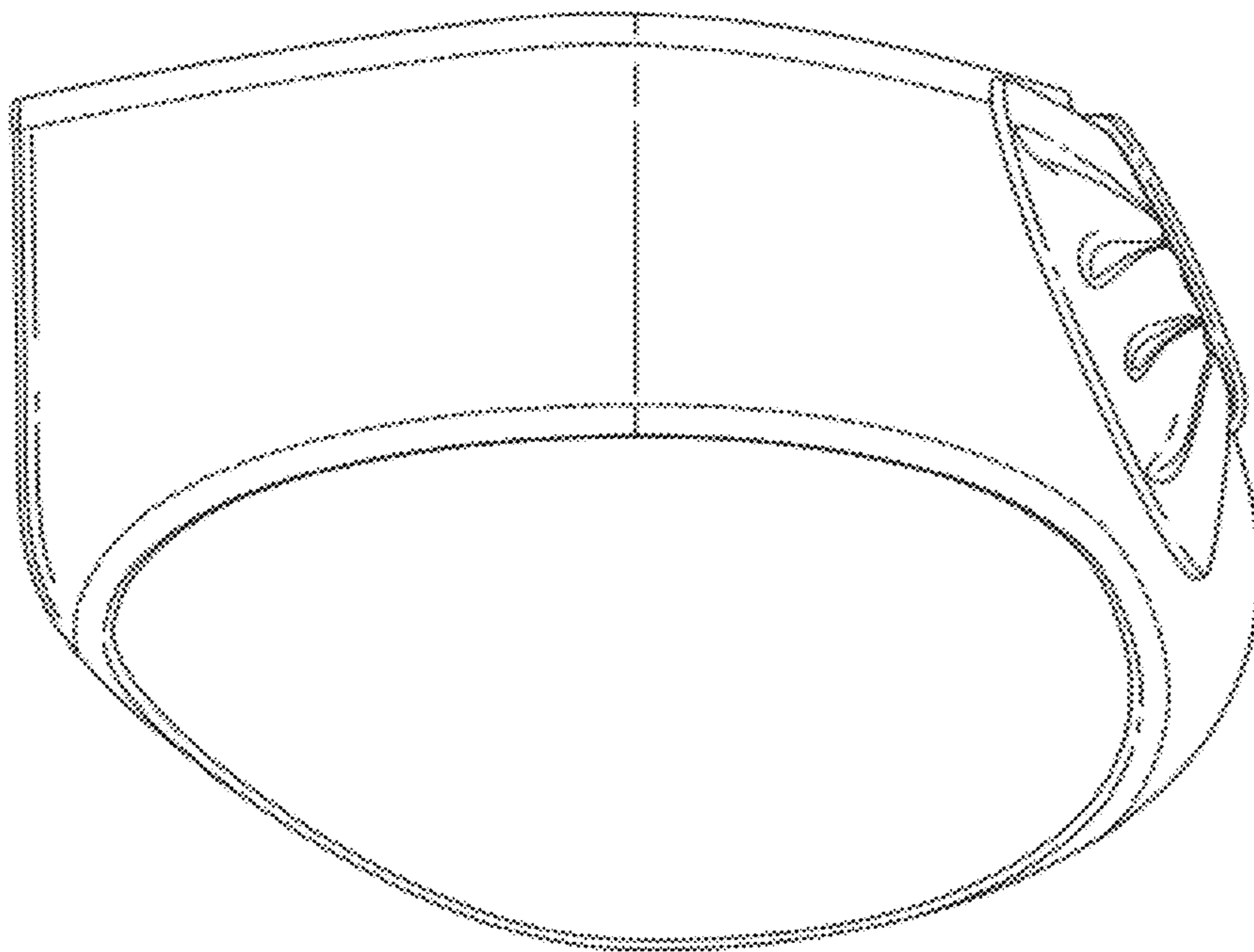


FIG. 5

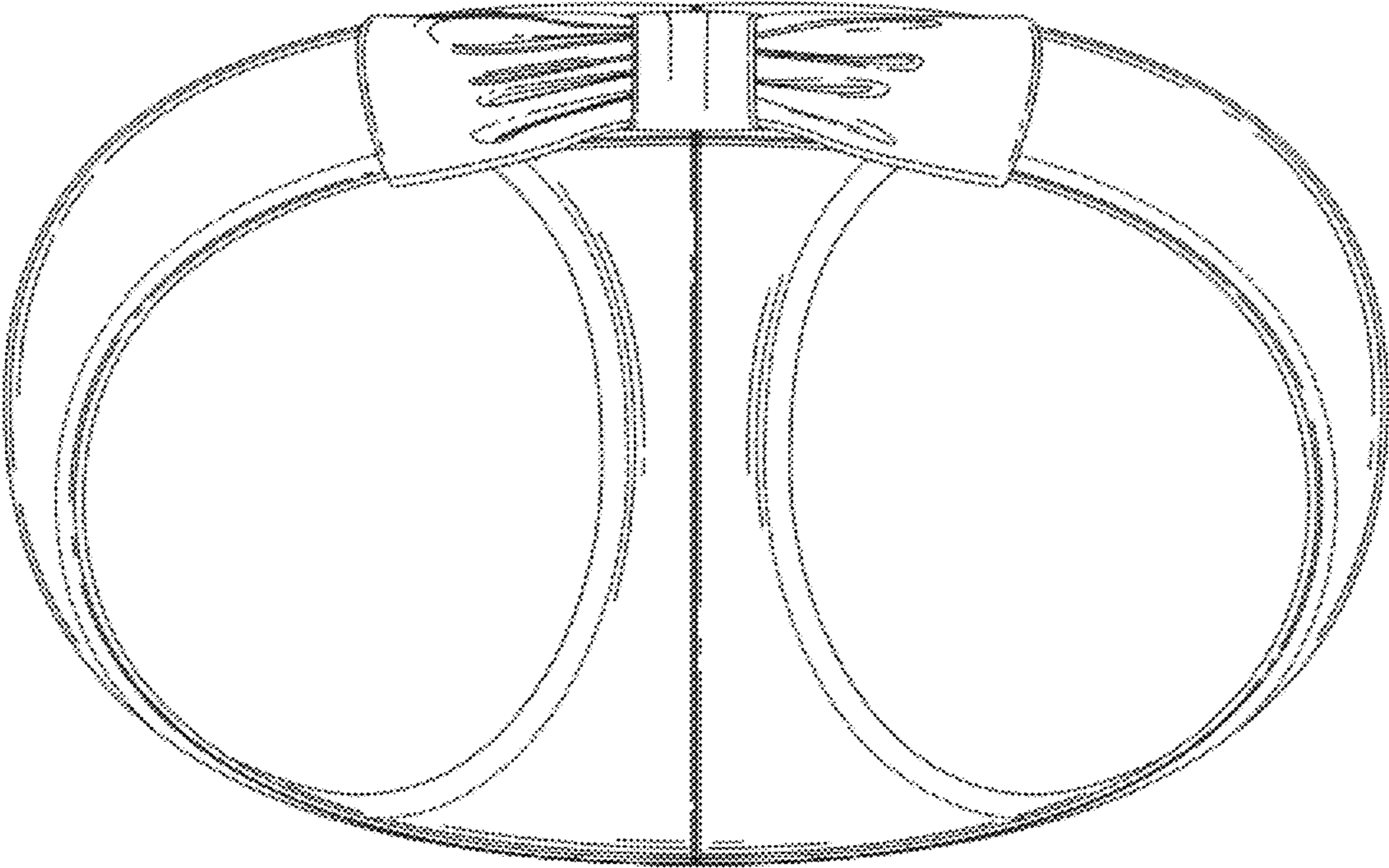


FIG. 6

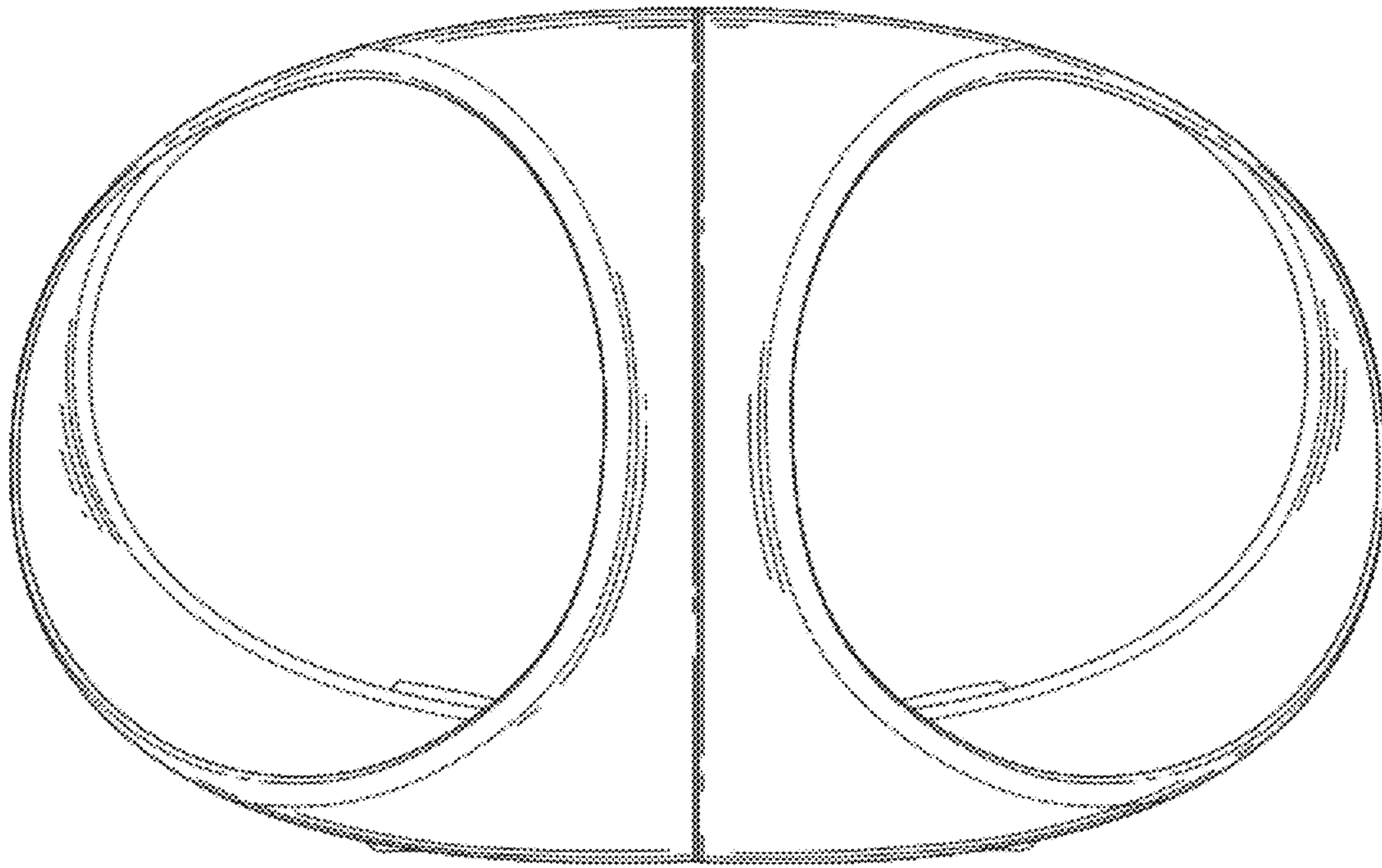


FIG. 7