

US00D663504S

(12) **United States Design Patent**
Vaughn

(10) **Patent No.:** **US D663,504 S**

(45) **Date of Patent:** **** Jul. 10, 2012**

(54) **COVER FOR A BOAT LIFT PITMAN LINKAGE**

(76) Inventor: **Michael D. Vaughn**, Ketchum, OK (US)

(**) Term: **14 Years**

(21) Appl. No.: **29/349,887**

(22) Filed: **May 14, 2010**

(51) **LOC (9) Cl.** **12-05**

(52) **U.S. Cl.** **D34/35**

(58) **Field of Classification Search** D34/28,
D34/33, 35; D12/317, 172; 414/140.6, 141.7,
414/142.8; 114/51, 361, 268, 365
See application file for complete search history.

(56) **References Cited**

U.S. PATENT DOCUMENTS

3,284,052	A *	11/1966	Godbersen	405/3
3,401,804	A *	9/1968	Link	212/273
D231,341	S *	4/1974	Johnson	D34/35
D231,343	S *	4/1974	Johnson	D34/35
4,508,233	A *	4/1985	Helms	212/294
4,597,689	A *	7/1986	Mitchell et al.	403/322.3

4,746,157	A *	5/1988	Magneville	294/82.27
5,048,896	A *	9/1991	Channell	298/22 J
5,108,251	A *	4/1992	Lougheed et al.	414/546
D346,260	S *	4/1994	Silbersky et al.	D34/35
D568,573	S *	5/2008	Kamamoto et al.	D34/35

* cited by examiner

Primary Examiner — Doris Clark

(74) *Attorney, Agent, or Firm* — Gable Gotwals

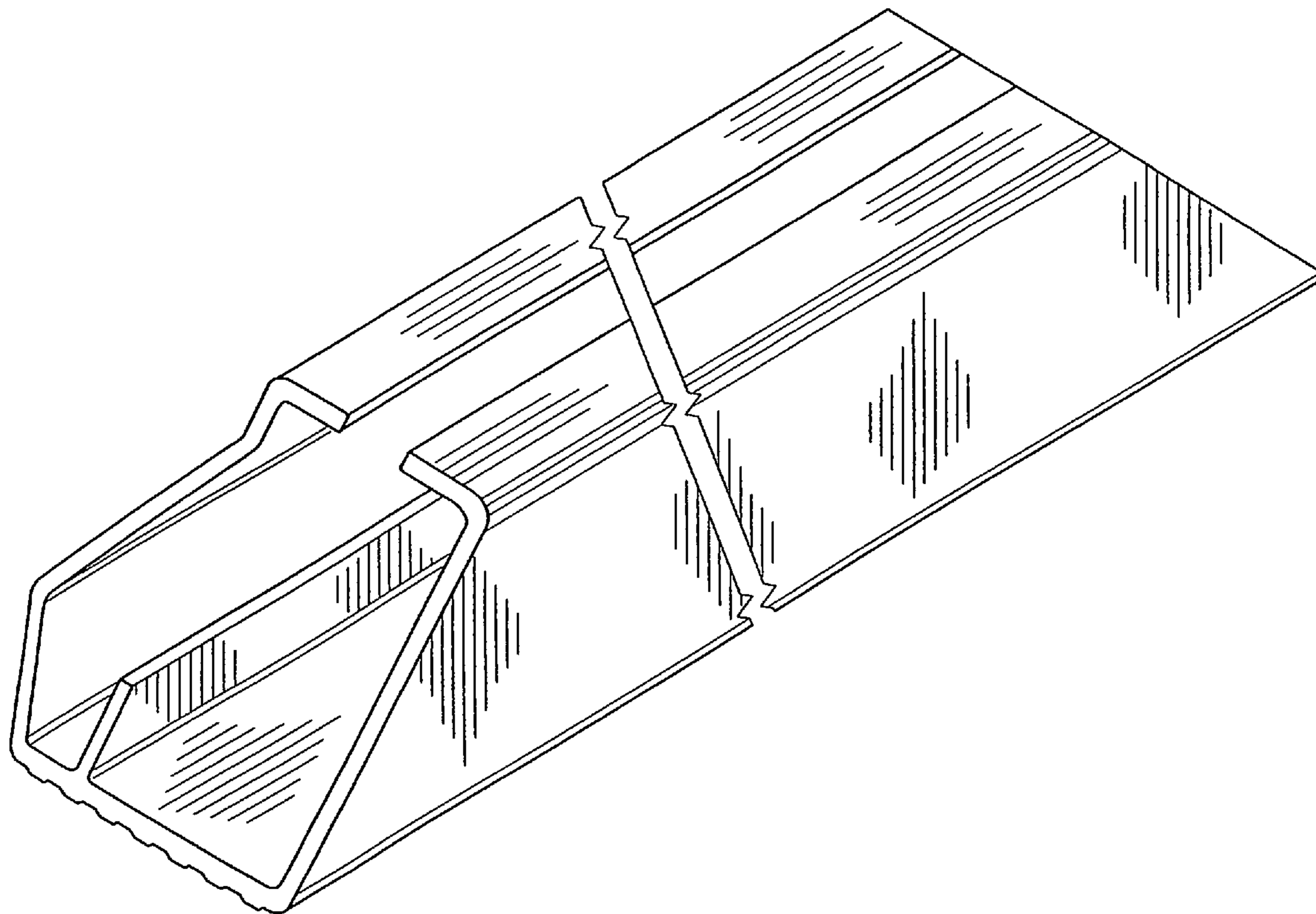
(57) **CLAIM**

I claim the ornamental design for a cover for a boat lift pitman linkage, as shown.

DESCRIPTION

FIG. 1 is a front elevational view;
FIG. 2 is a to plan view;
FIG. 3 is a right side elevational view, at a slightly enlarged scale, the left side elevational view being the mirror opposite thereto;
FIG. 4 is a rear elevational view;
FIG. 5 is a bottom plan view; and,
FIG. 6 is a perspective view showing the bottom, rear, and left side.

1 Claim, 3 Drawing Sheets



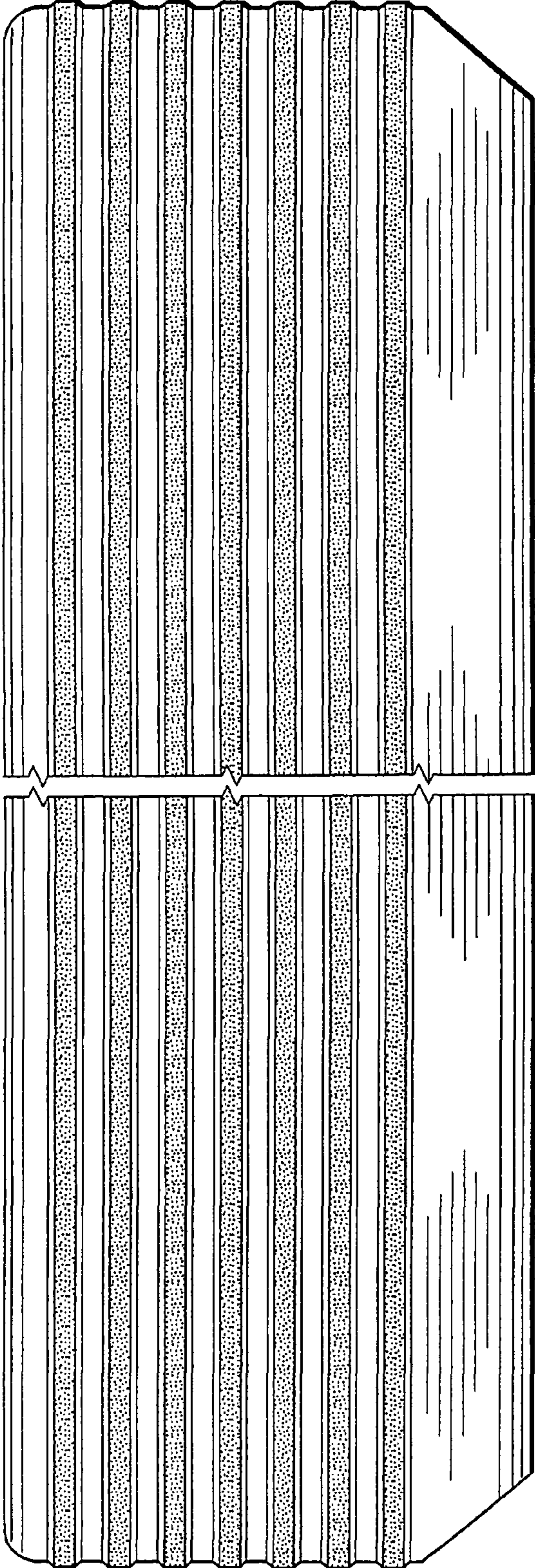


Fig. 2

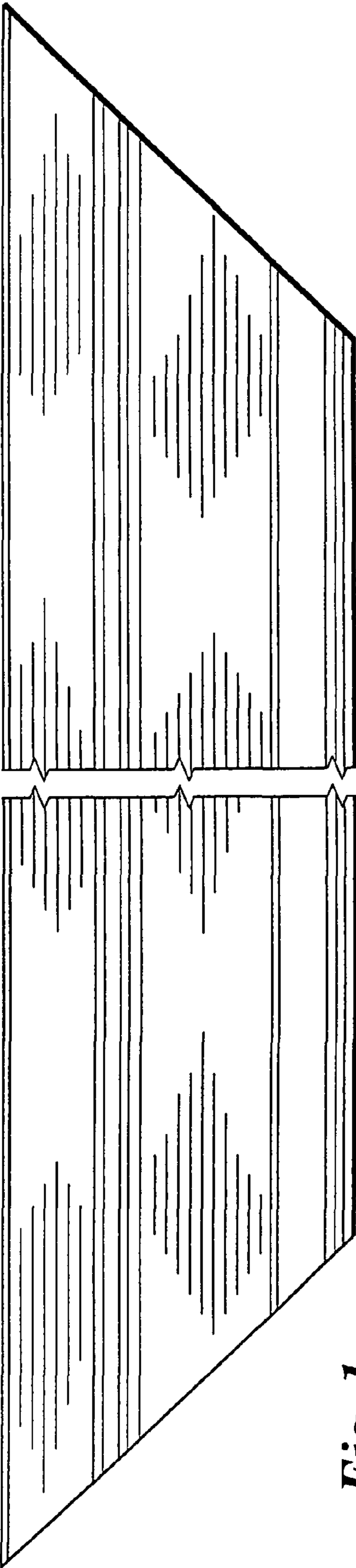


Fig. 1

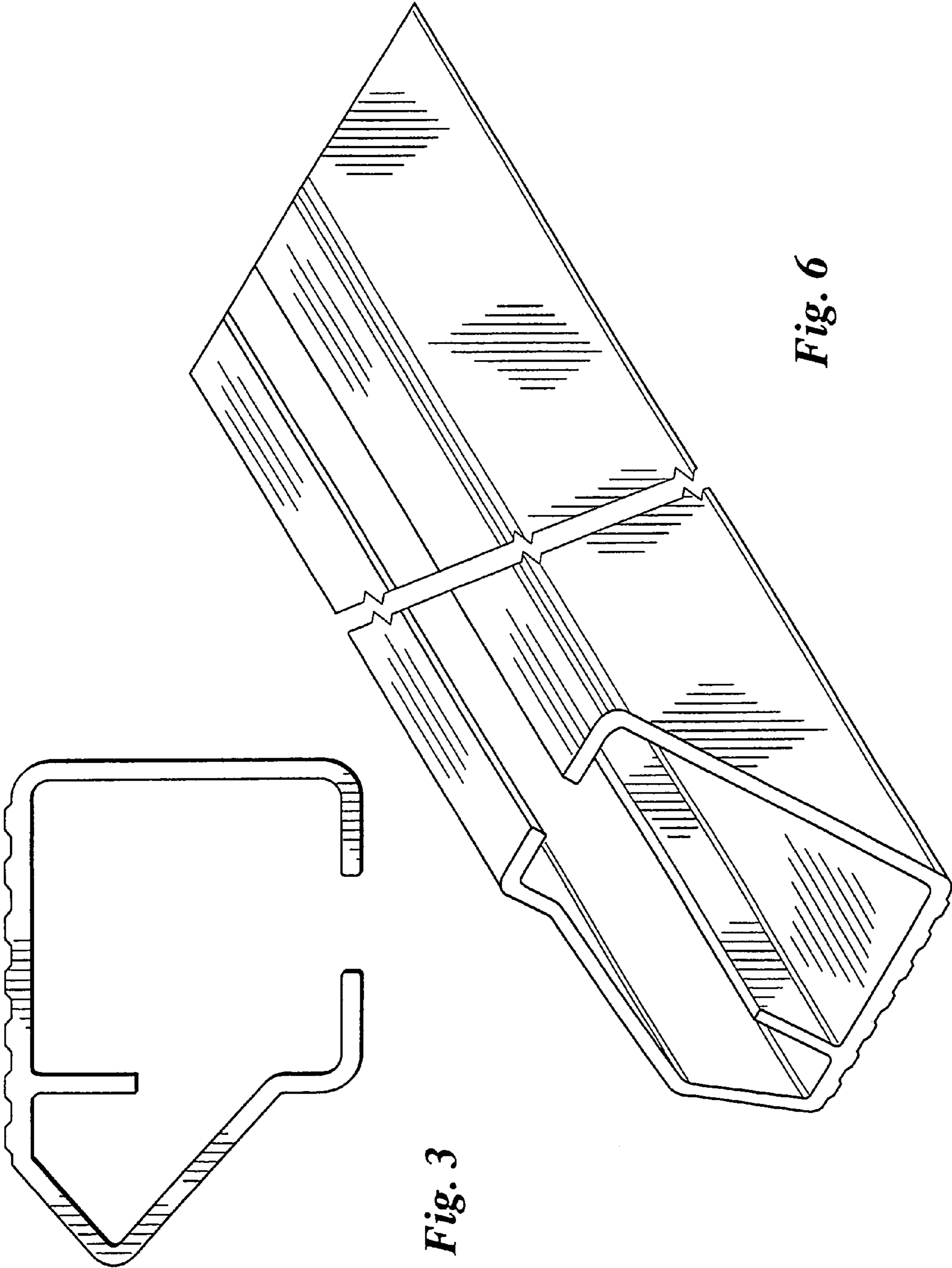


Fig. 3

Fig. 6

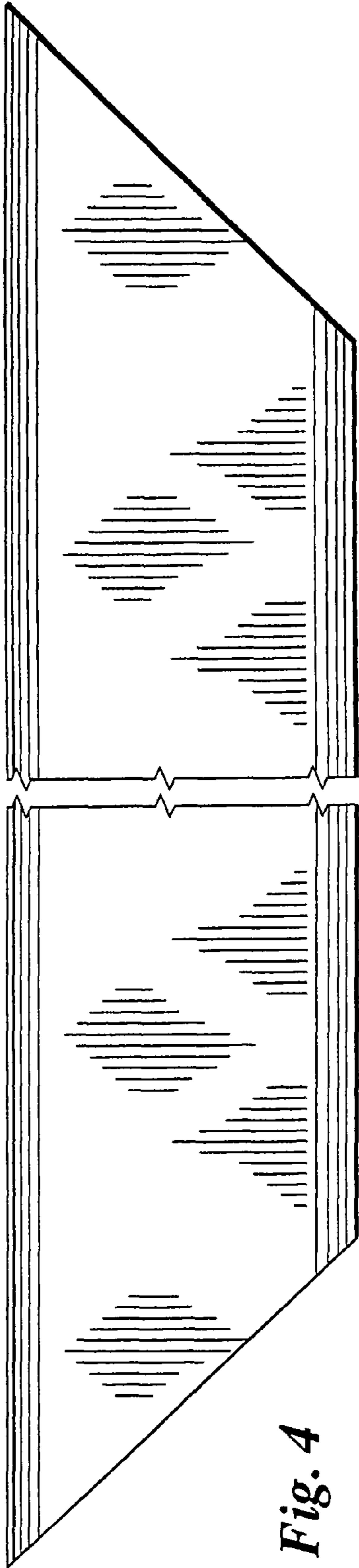


Fig. 4

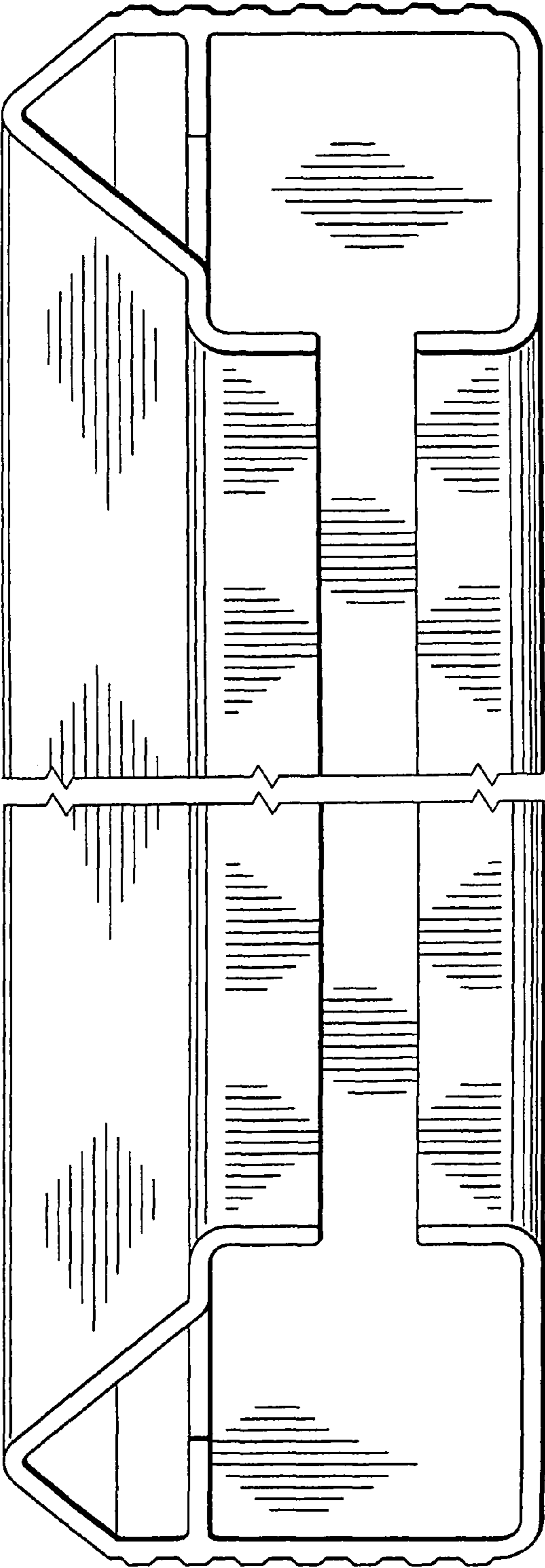


Fig. 5