

US00D663503S

(12) **United States Design Patent**
Lin

(10) **Patent No.:** **US D663,503 S**

(45) **Date of Patent:** **** Jul. 10, 2012**

(54) **FORKLIFT**

(75) **Inventor:** **Chi Wen Lin**, Taichung (TW)

(73) **Assignee:** **Tailift Co., Ltd.**, Taichung (TW)

(**) **Term:** **14 Years**

(21) **Appl. No.:** **29/402,128**

(22) **Filed:** **Sep. 21, 2011**

(51) **LOC (9) Cl.** **12-05**

(52) **U.S. Cl.** **D34/34**

(58) **Field of Classification Search** D34/34;
180/89.12, 89.13, 89.17; 187/222, 237, 238,
187/414

See application file for complete search history.

(56) **References Cited**

U.S. PATENT DOCUMENTS

D586,974 S * 2/2009 Mori et al. D34/34
D587,425 S * 2/2009 Mori et al. D34/34

D594,173 S * 6/2009 Shibata et al. D34/34
D612,563 S * 3/2010 Stark D34/34
D652,194 S * 1/2012 Shibata et al. D34/34

* cited by examiner

Primary Examiner — Cynthia Ramirez

(74) *Attorney, Agent, or Firm* — Rosenberg, Klein & Lee

(57) **CLAIM**

The ornamental design for a forklift, as shown and described.

DESCRIPTION

FIG. 1 is a front top perspective view of a forklift showing my new design;

FIG. 2 is a front elevational view thereof;

FIG. 3 is a rear elevational view thereof;

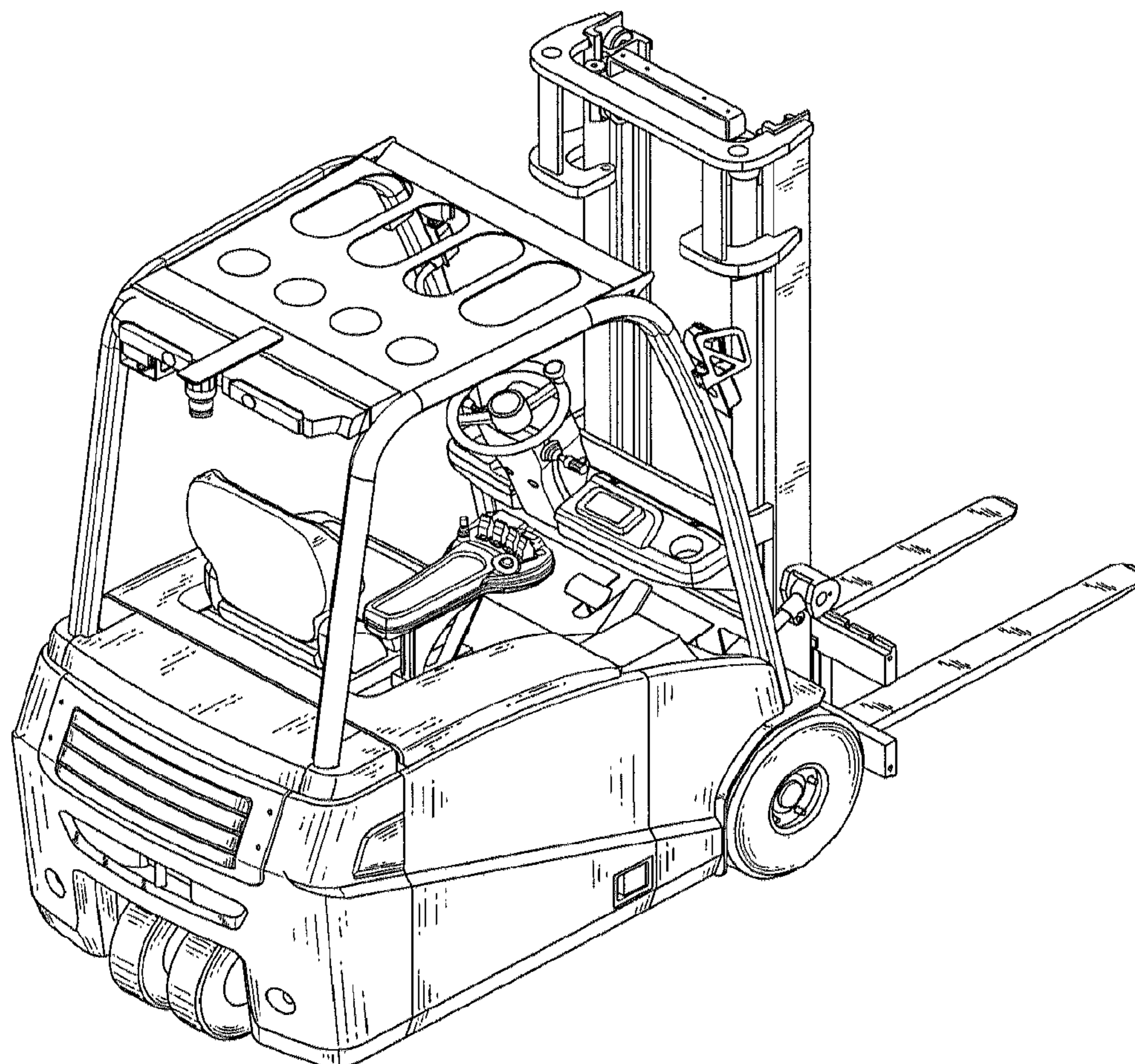
FIG. 4 is a left elevational view thereof;

FIG. 5 is a right elevational view thereof;

FIG. 6 is a top plan view thereof; and,

FIG. 7 is a bottom plan view thereof.

1 Claim, 7 Drawing Sheets



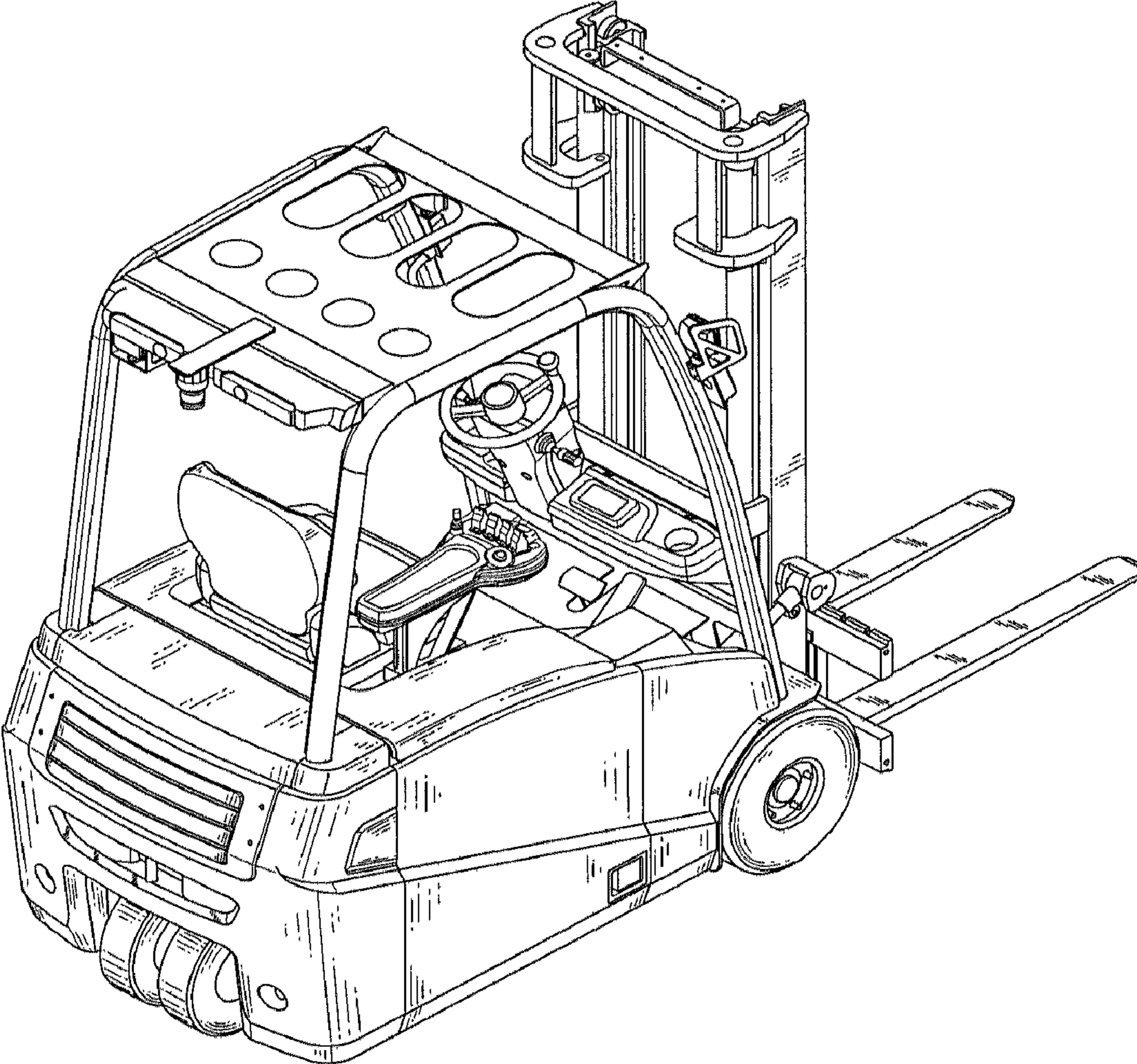


Fig. 1

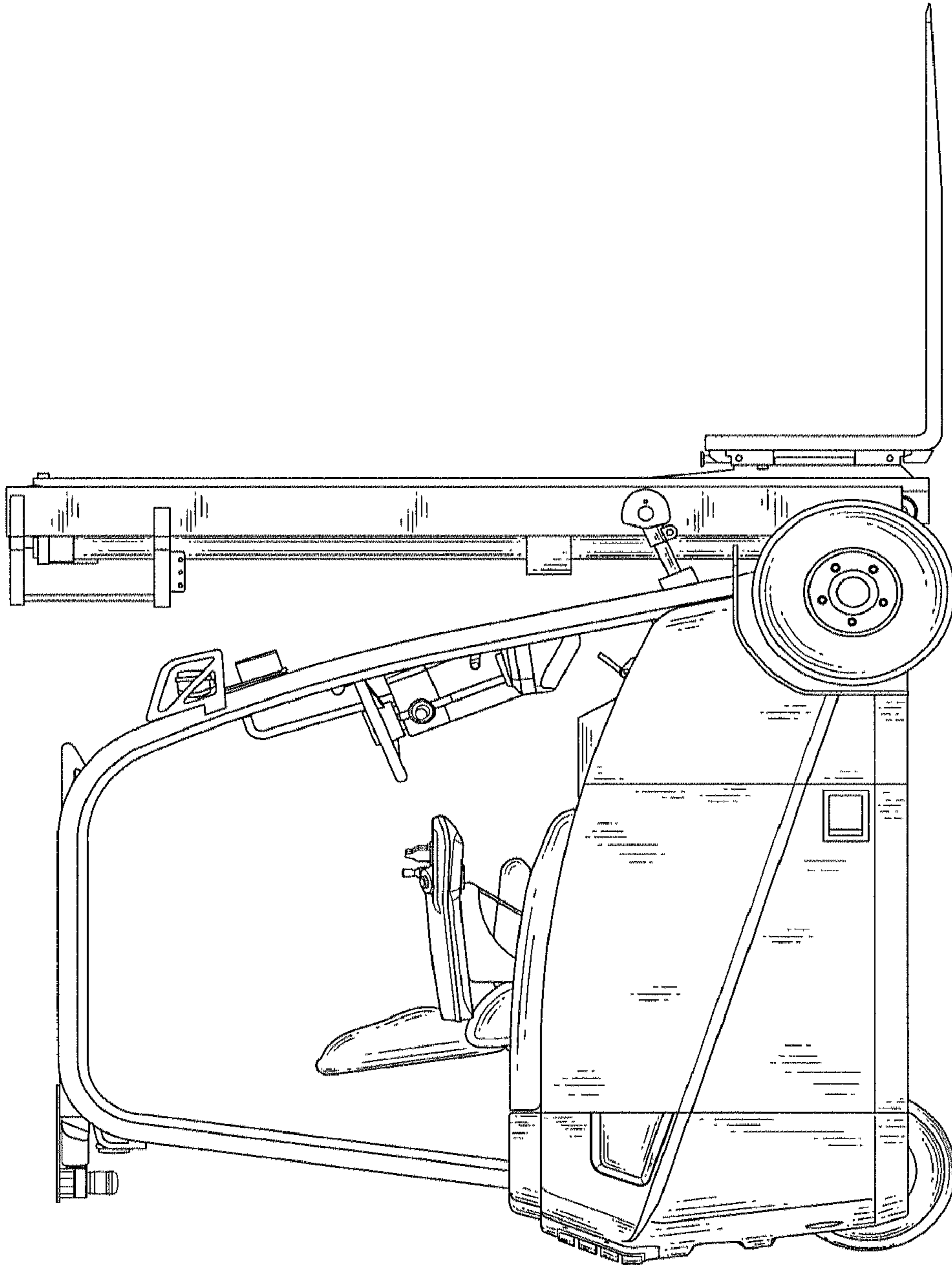


Fig. 2

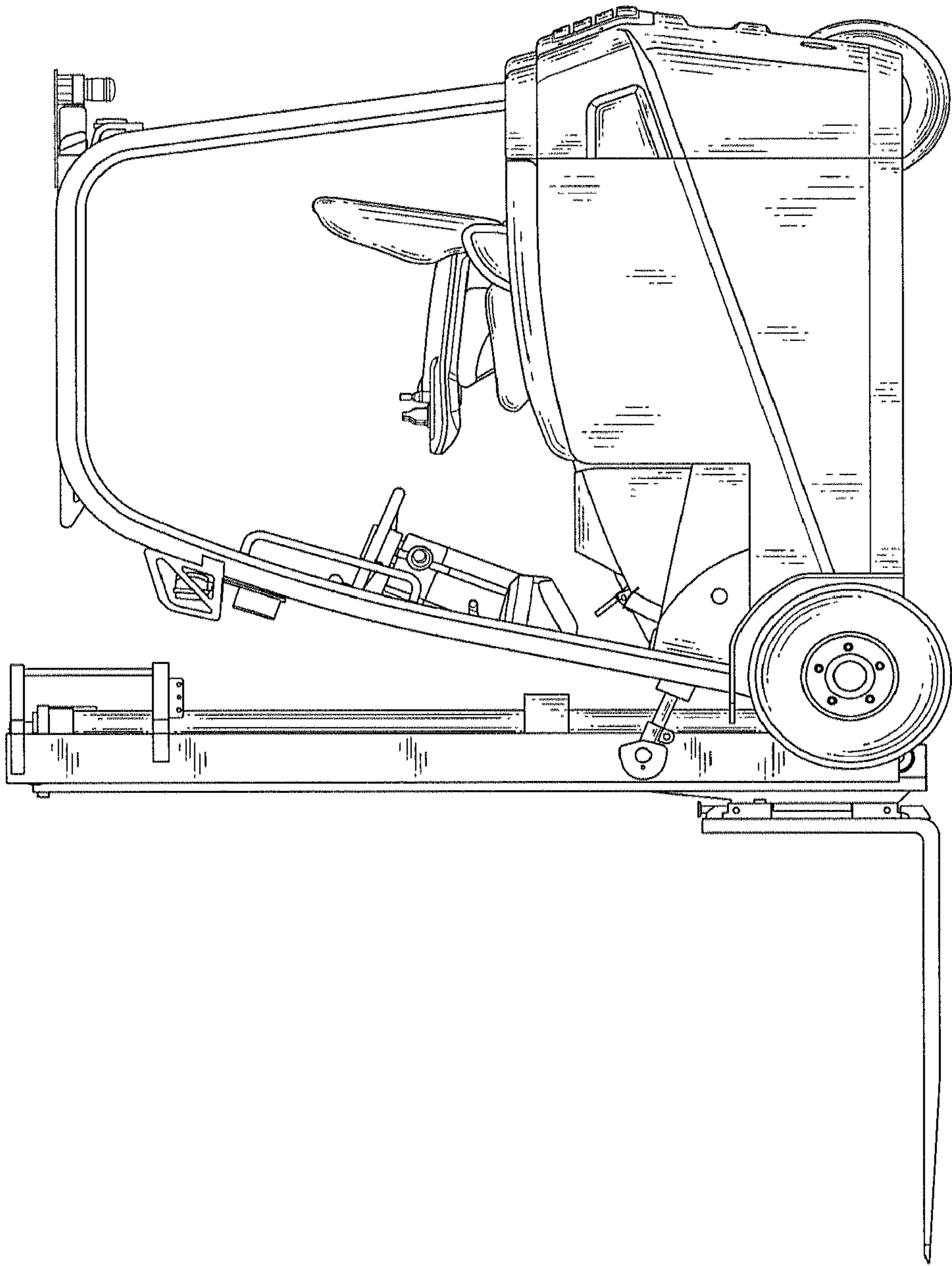


Fig. 3

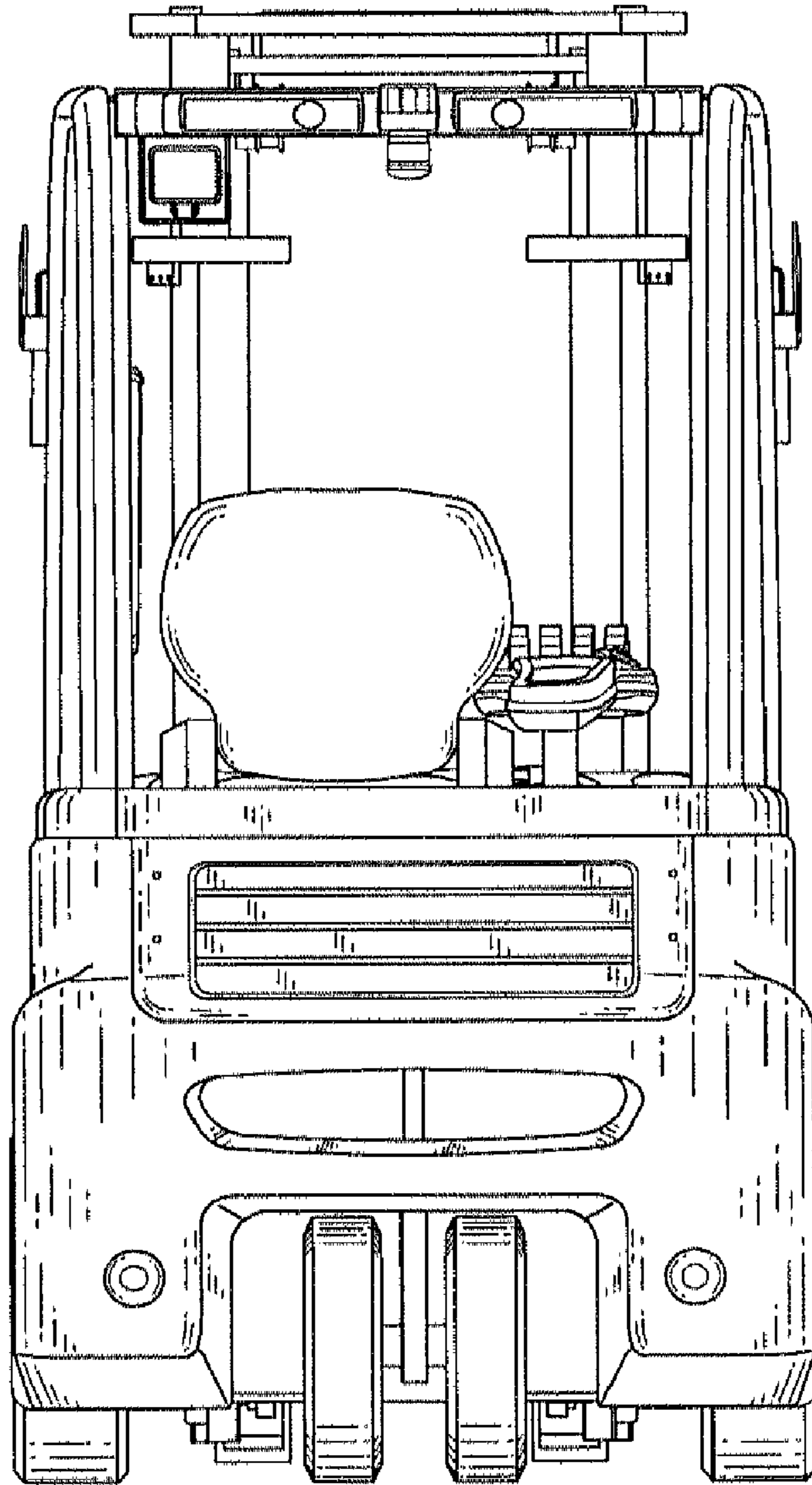


Fig. 4

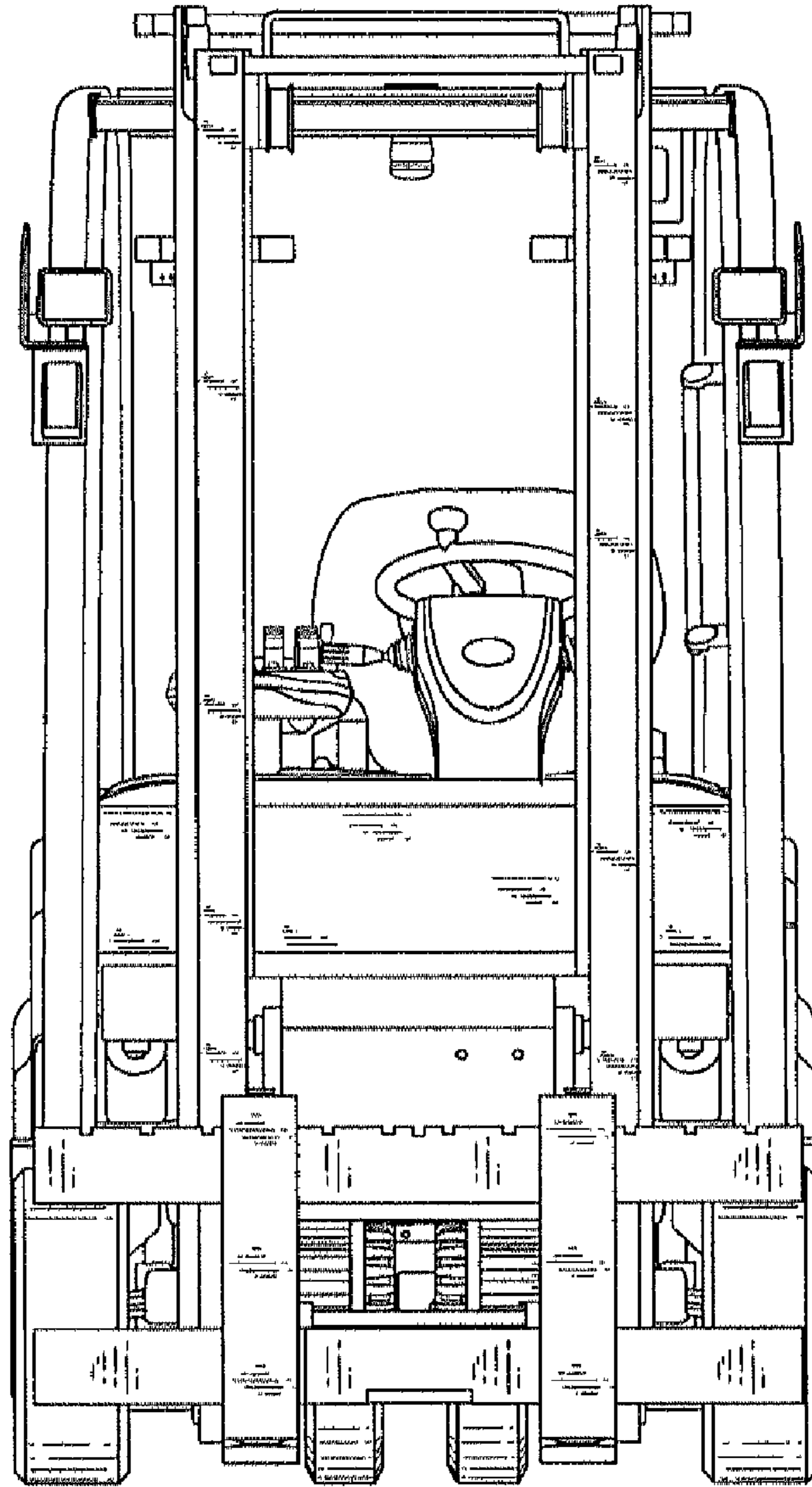


Fig. 5

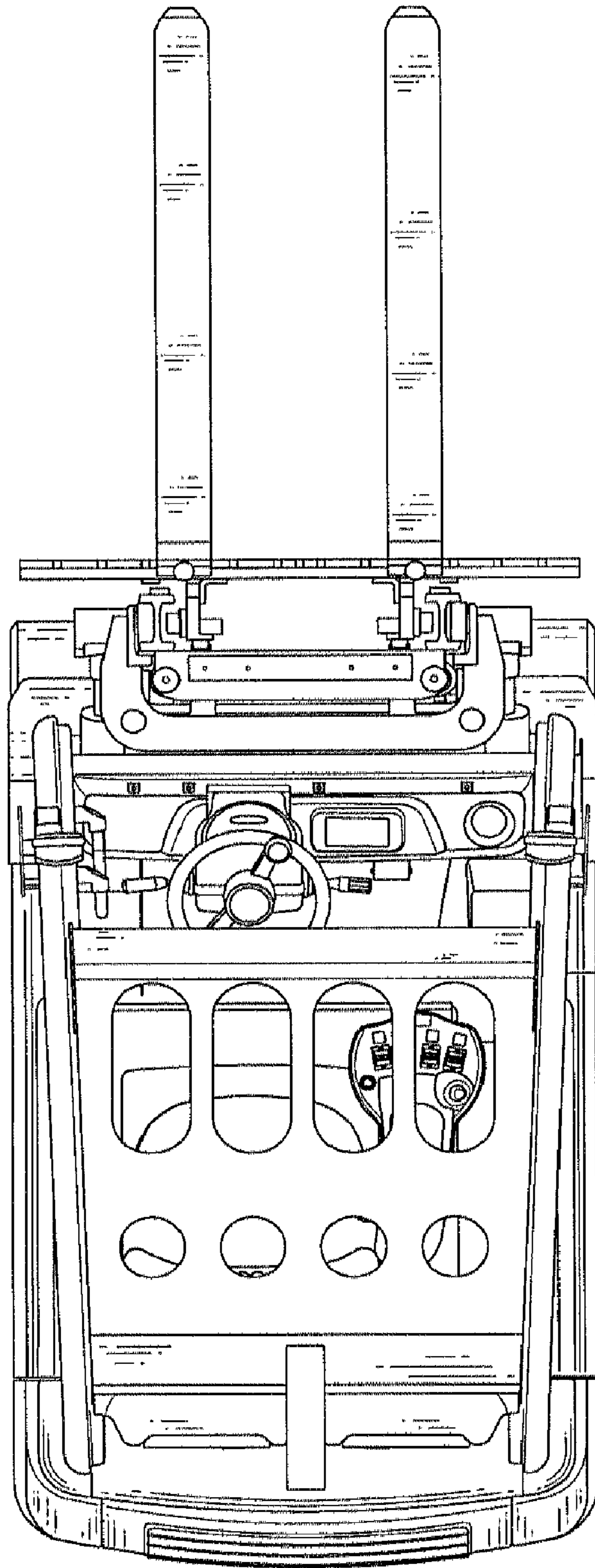


Fig. 6

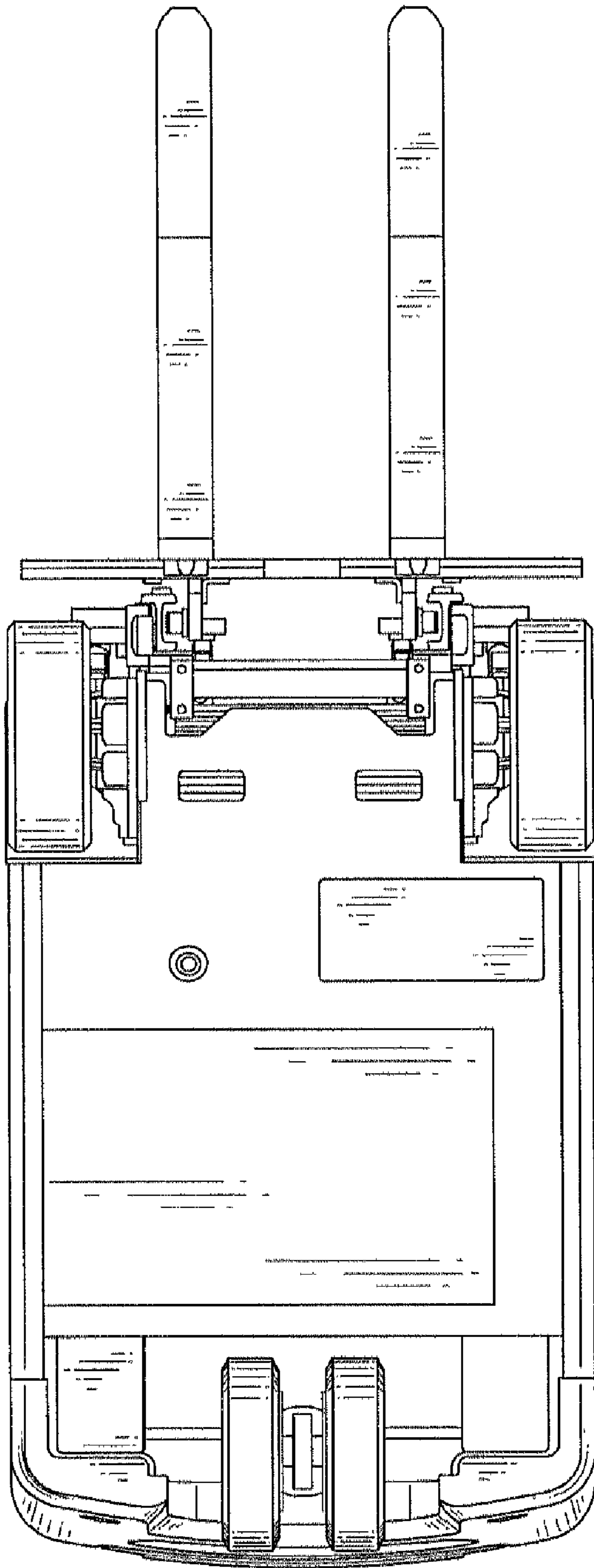


Fig. 7