

US00D663501S

(12) **United States Design Patent**  
**Best et al.**

(10) **Patent No.:** **US D663,501 S**  
(45) **Date of Patent:** **\*\* Jul. 10, 2012**

(54) **APPLICATOR WITH INDIVIDUAL PAD SUPPORT FINGERS**

*Primary Examiner* — John Windmuller  
(74) *Attorney, Agent, or Firm* — Hovey Williams LLP

(75) Inventors: **Jim Joseph Best**, Hewitt, NJ (US);  
**Marco Carroll Perry**, Brooklyn, NY (US); **Mark David Prommel**, Brooklyn, NY (US); **Kevin Min O’Leary**, Brooklyn, NY (US); **William Lauchlin Gulledge, Jr.**, Leawood, KS (US); **William Daniel Richardson**, Greenwood, MO (US); **Chad Edward Brott**, Greenwood, MO (US); **B. Deré Newman**, Lone Jack, MO (US); **Melodie Lea Wendleton**, Lee’s Summit, MO (US); **Benjamin A. Shobert**, Indianapolis, IN (US); **Richard S. Dale**, Honeoye Falls, NY (US); **Todd Brunner**, Brooklyn, NY (US)

(73) Assignee: **Specialty Products of Greenwood, Missouri, Inc.**, Greenwood, MO (US)

(\*\*) Term: **14 Years**

(21) Appl. No.: **29/359,630**

(22) Filed: **Apr. 13, 2010**

(51) **LOC (9) Cl.** ..... **04-01**

(52) **U.S. Cl.** ..... **D32/50**

(58) **Field of Classification Search** ..... D32/40–45,  
D32/50–52; 15/118, 244.1, 244.2, 244.3,  
15/244.4, 116.1, 116.2, 119.1, 119.2, 104.9,  
15/228, 229.2, 229.4; 401/135–140

See application file for complete search history.

(56) **References Cited**

U.S. PATENT DOCUMENTS

D183,721 S	*	10/1958	Champlin	.....	D32/44
D202,876 S		11/1965	Newman		
D307,963 S		5/1990	Newman, Sr. et al.		
4,993,101 A		2/1991	Newman, Sr. et al.		
D331,650 S		12/1992	Newman, Sr.		
5,220,707 A		6/1993	Newman, Sr. et al.		

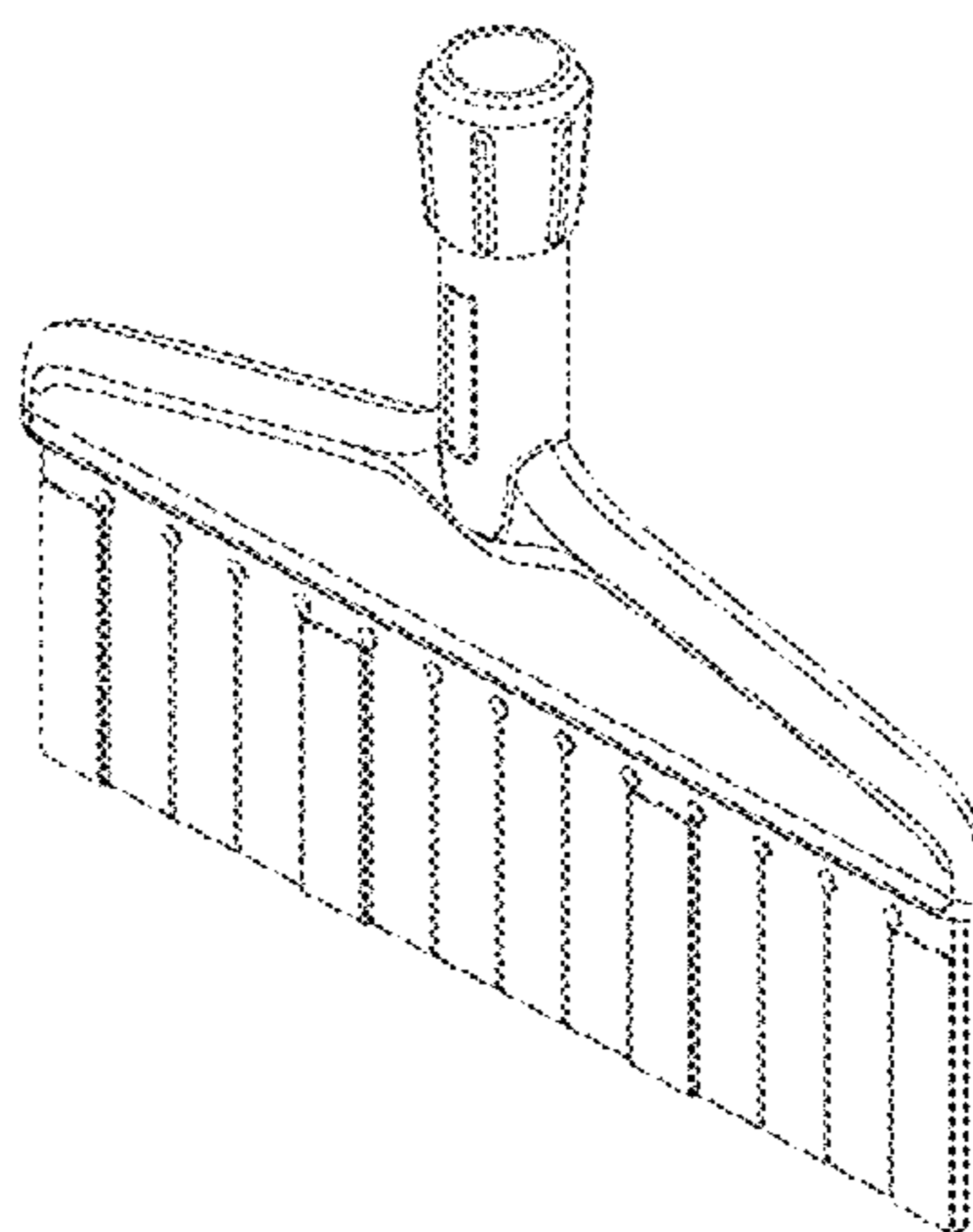
(Continued)

(57) **CLAIM**  
The ornamental design for an applicator with individual pad support fingers, as shown and described.

**DESCRIPTION**

FIG. 1 is a perspective view of an applicator with individual pad support fingers embodying our design; FIG. 2 is a top elevation view of the applicator depicted in FIG. 1, with the bottom elevation view being a mirror image thereof; FIG. 3 is a side elevation view of the applicator depicted in FIGS. 1 and 2, with the opposite side elevation view being a mirror image thereof; FIG. 4 is an end elevation view of the applicator shown in FIGS. 1-3; FIG. 5 is an end elevation view of the applicator opposite that shown in FIG. 4; FIG. 6 is a perspective view of the applicator similar to FIG. 1, but with the material application pad being removed so as to depict the individual pad support fingers; FIG. 7 is a top elevation view of the applicator as depicted in FIG. 6, with the bottom elevation view being a mirror image thereof; FIG. 8 is a side elevation view of the applicator as depicted in FIGS. 6 and 7, with the opposite side elevation view being a mirror image thereof; FIG. 9 is an end elevation view of the applicator as shown in FIGS. 6-8; and, FIG. 10 is an end elevation view of the applicator opposite that shown in FIG. 9. The broken lines showing the material application pad, the handle, the hook fastening areas on the fingers for connecting to the pad, and the slots defined between adjacent fingers are for environmental purposes only and form no part of the claimed design.

**1 Claim, 6 Drawing Sheets**



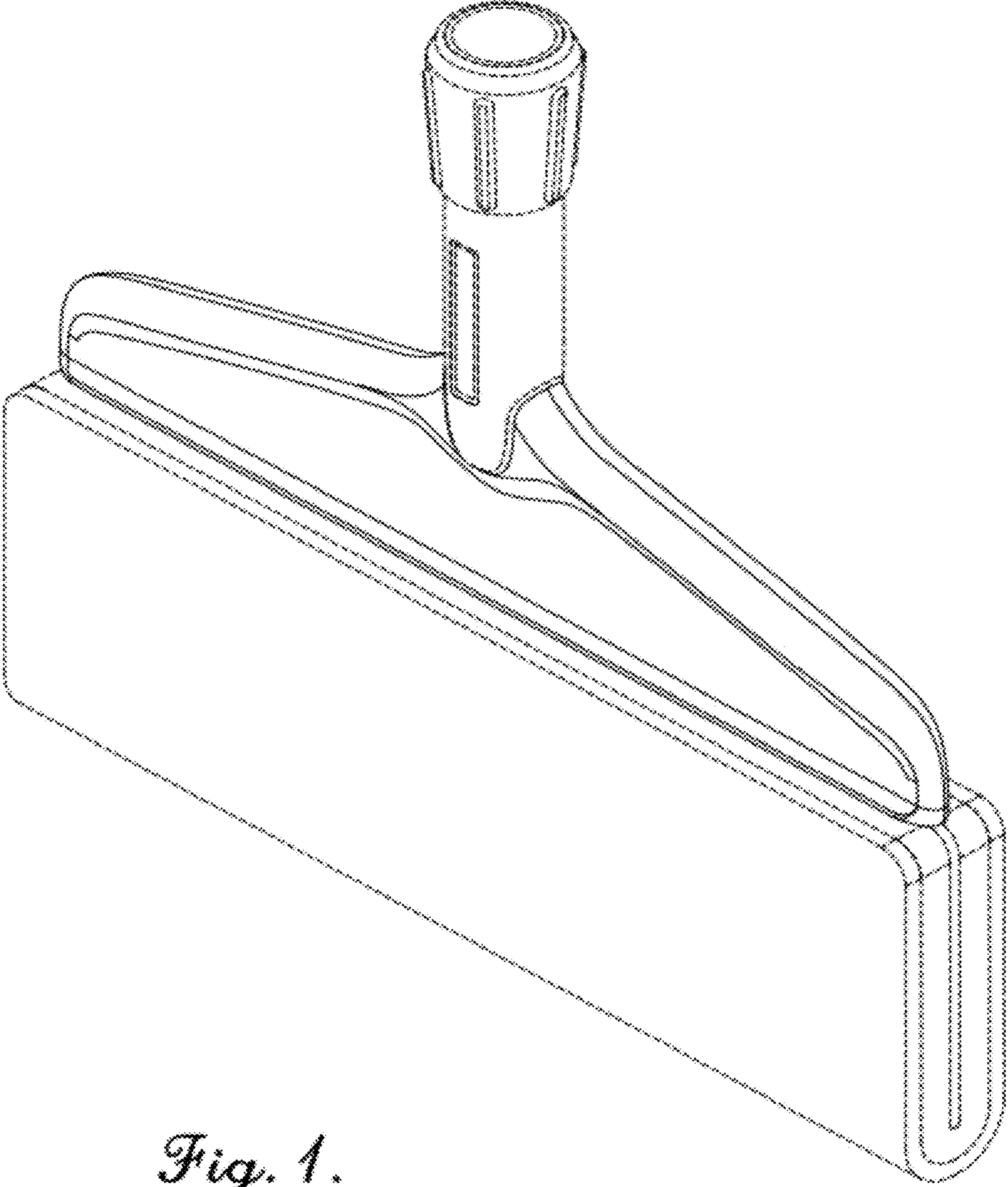
# US D663,501 S

Page 2

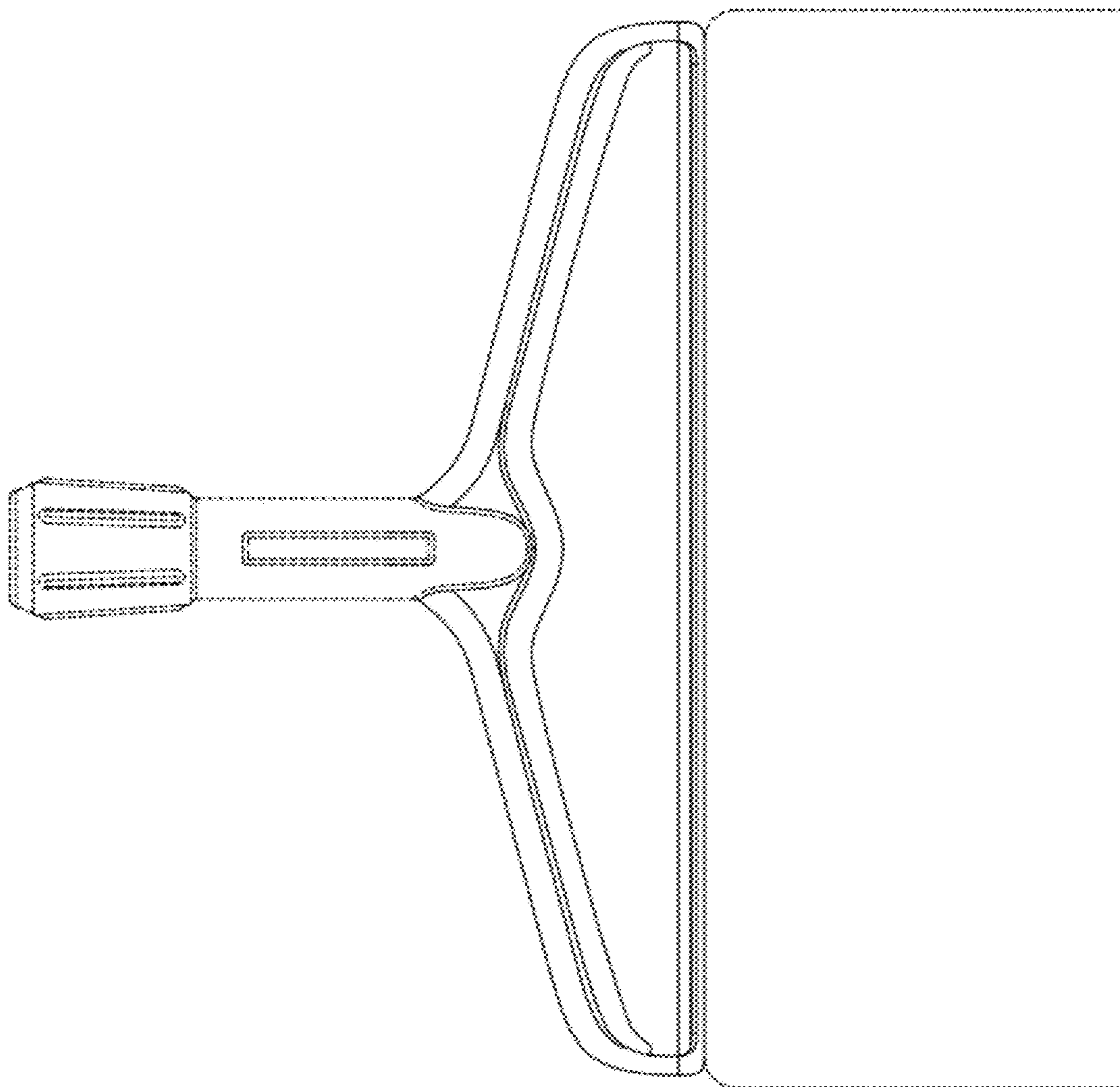
## U.S. PATENT DOCUMENTS

5,267,369	A	12/1993	O'Neil et al.	D457,003	S	5/2002	Newman et al.	
5,293,662	A	3/1994	Newman, Sr. et al.	D459,587	S	7/2002	Newman et al.	
5,316,264	A	5/1994	Newman, Sr. et al.	6,453,777	B1	9/2002	Newman et al.	
D351,015	S	9/1994	Caceres et al.	6,497,007	B2	12/2002	Newman et al.	
5,348,409	A	9/1994	Newman, Sr. et al.	6,519,800	B2	2/2003	Newman et al.	
D354,554	S	1/1995	Newman, Sr. et al.	6,530,124	B2	3/2003	Newman et al.	
5,385,420	A	1/1995	Newman, Sr. et al.	6,532,630	B1	3/2003	Newman et al.	
5,432,972	A	7/1995	Polzin et al.	6,553,628	B2	4/2003	Newman et al.	
D362,094	S	* 9/1995	Stephenson ..... D32/45	D480,188	S	* 9/2003	Blouse ..... D32/50	
D362,754	S	* 10/1995	Martini ..... D4/137	D482,202	S	11/2003	Newman et al.	
5,460,458	A	10/1995	Caceres	6,681,438	B2	1/2004	Newman et al.	
5,579,558	A	12/1996	Newman, Jr. et al.	6,779,235	B2	8/2004	Newman et al.	
D383,578	S	* 9/1997	Ho ..... D32/51	D519,820	S	5/2006	Newman et al.	
5,682,641	A	11/1997	Newman, Jr. et al.	7,066,511	B2	6/2006	Newman et al.	
5,692,856	A	12/1997	Newman, Jr. et al.	D538,133	S	3/2007	Richardson et al.	
5,822,823	A	10/1998	Polzin et al.	7,237,305	B2	7/2007	Newman et al.	
6,151,747	A	11/2000	Newman et al.	D607,169	S	* 12/2009	Weis et al. .... D32/50	
6,272,715	B1	8/2001	Polzin et al.	D609,920	S	* 2/2010	Lee ..... D4/138	
D447,874	S	9/2001	Newman et al.	2004/0158949	A1	8/2004	Booth et al.	
D452,777	S	1/2002	Newman et al.	2006/0147256	A1	7/2006	Richardson et al.	
6,349,451	B1	2/2002	Newman et al.	2006/0230581	A1	10/2006	Richardson et al.	

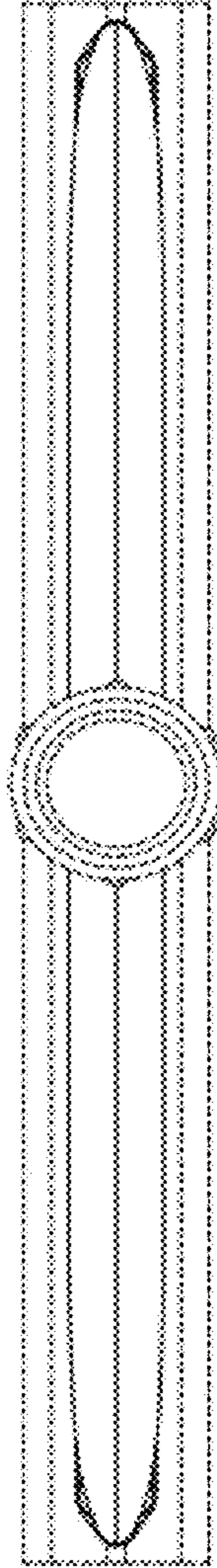
\* cited by examiner



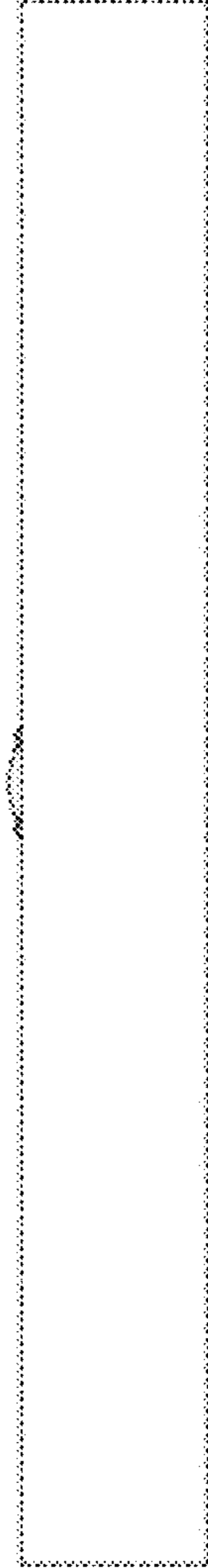
*Fig. 1.*



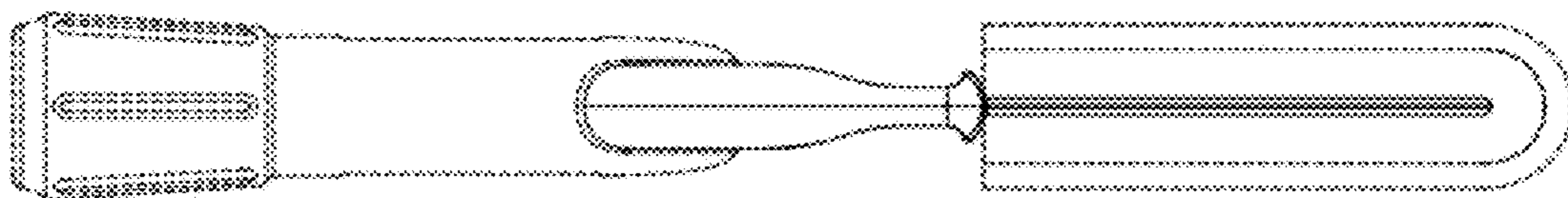
*Fig. 2.*



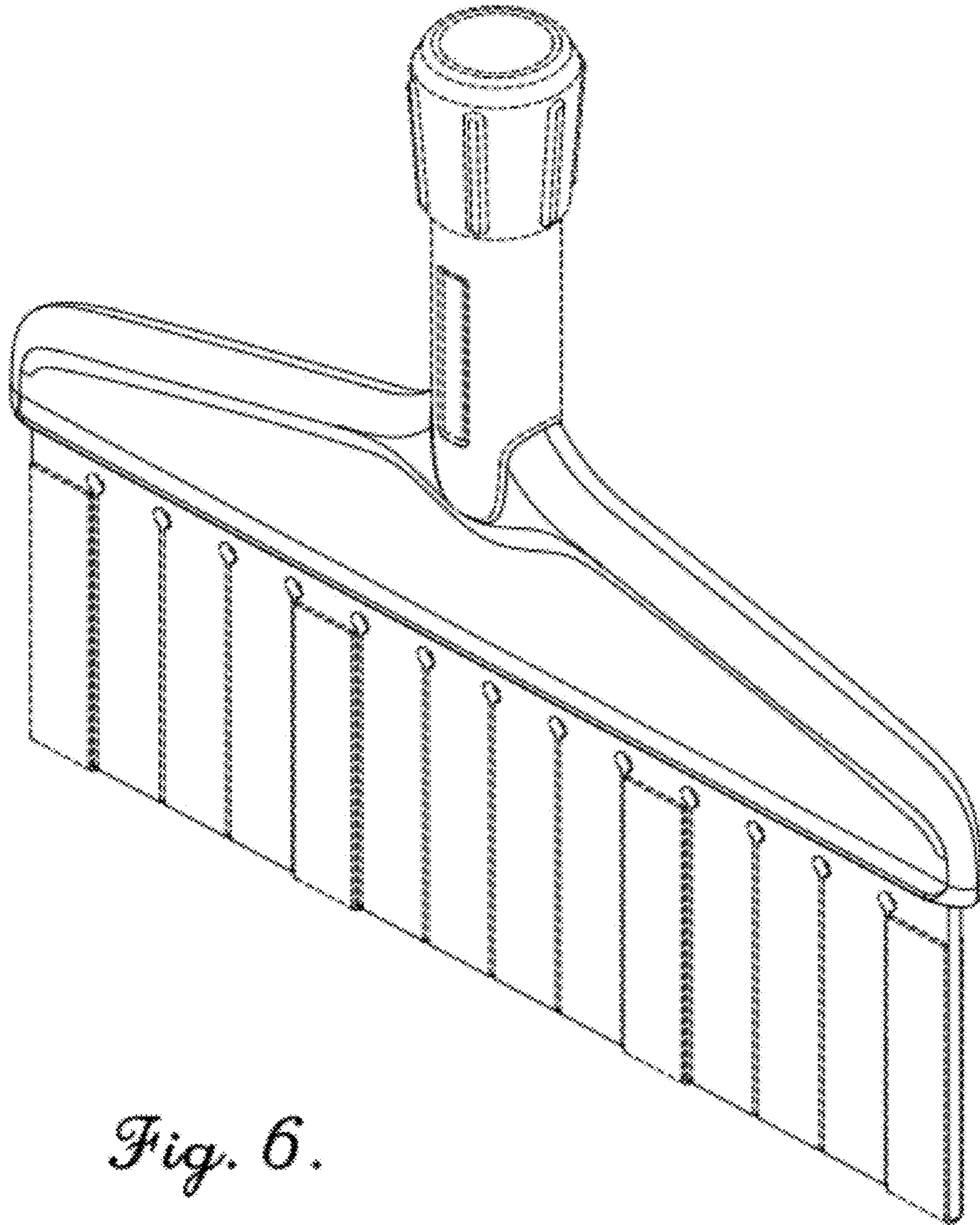
*Fig. 4.*



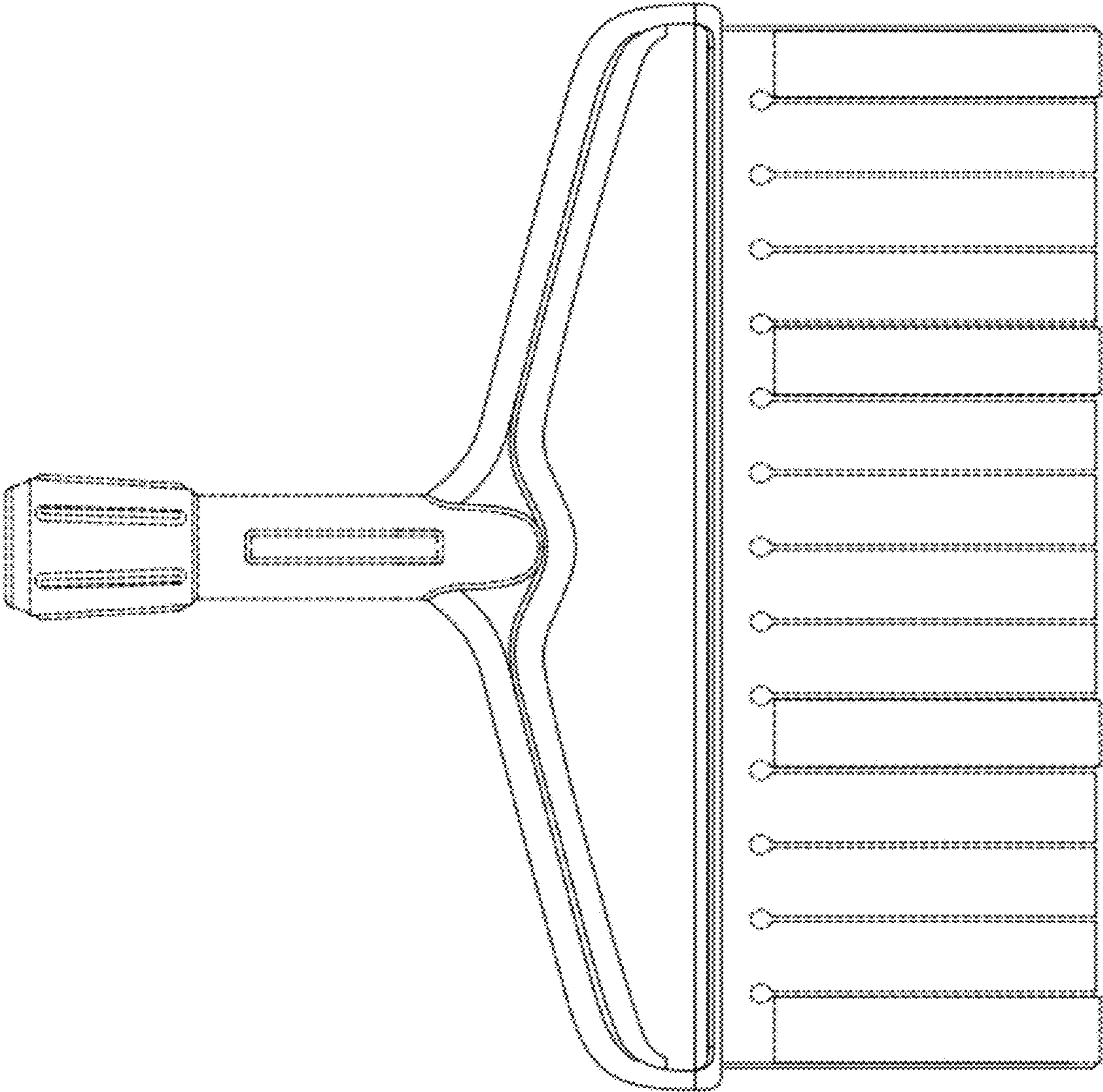
*Fig. 5.*



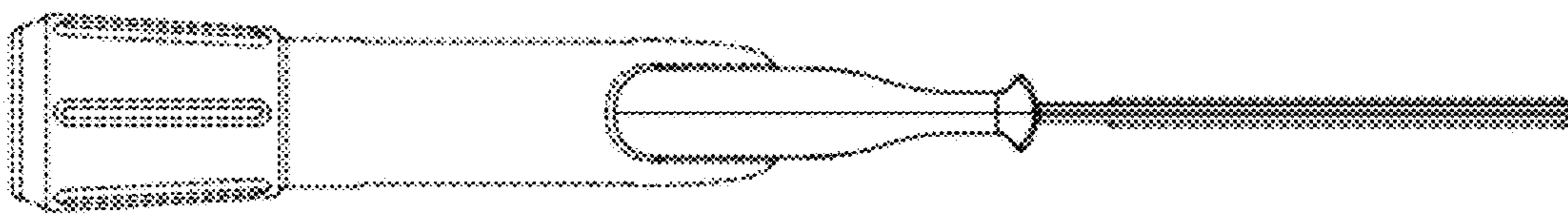
*Fig. 3.*



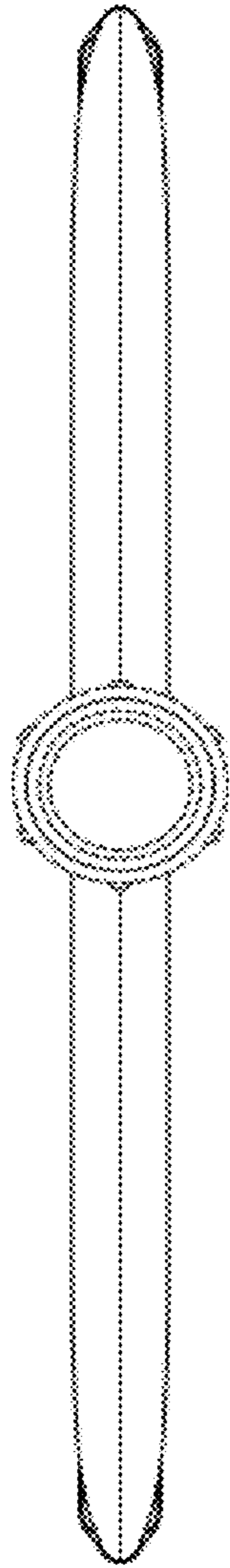
*Fig. 6.*



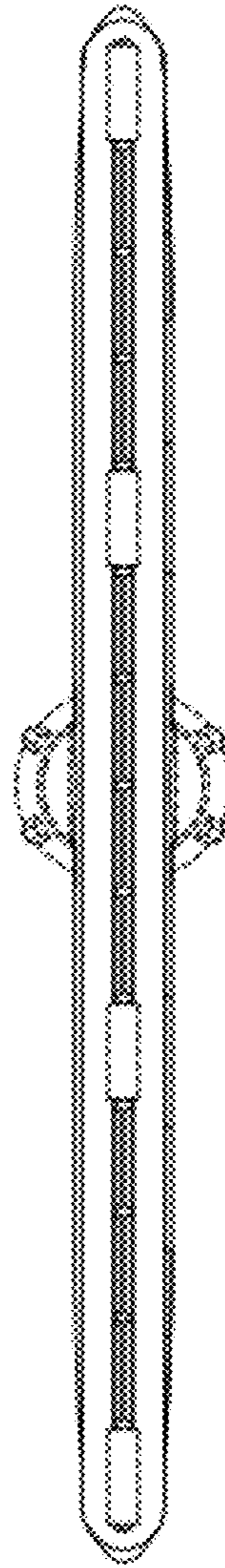
*Fig. 7.*



*Fig. 8.*



*Fig. 9.*



*Fig. 10.*