



US00D663496S

(12) **United States Design Patent**  
**Ediger et al.**

(10) **Patent No.:** **US D663,496 S**  
(45) **Date of Patent:** **\*\* Jul. 10, 2012**

(54) **STEAM CANISTER**

(75) Inventors: **Glen W. Ediger**, North Newton, KS (US); **Gary P. Israel**, Andover, KS (US)

(73) Assignee: **Vornado Air, LLC**, Andover, KS (US)

(\*\*) Term: **14 Years**

(21) Appl. No.: **29/381,441**

(22) Filed: **Dec. 20, 2010**

(51) **LOC (9) Cl.** ..... **15-05**

(52) **U.S. Cl.** ..... **D32/17**

(58) **Field of Classification Search** ..... D32/1, D32/6, 9, 15, 17, 18, 19; D4/114; D23/213, D23/223, 224, 225; 15/300.1, 320, 321, 15/322, 344; 134/19, 198; 38/69, 70, 74, 38/75, 77.1, 77.5, 77.7, 77.83; 392/386, 392/394, 403, 404, 405, 406; 8/147, 149.2, 8/149.3; 141/59; 239/537, 538, 583, 584, 239/525, 526; 68/5 A, 5 R, 3 R, 213, 222; 223/51, 73

See application file for complete search history.

(56) **References Cited**

**U.S. PATENT DOCUMENTS**

D399,617 S *	10/1998	Fujita	.....	D32/21
D417,046 S *	11/1999	Tsuruha et al.	.....	D32/21
D430,711 S *	9/2000	Piret	.....	D32/21
D445,973 S *	7/2001	Chen	.....	D32/21
D452,594 S *	12/2001	Rosa	.....	D32/21
6,397,502 B1 *	6/2002	Chen	.....	38/77.8
6,533,871 B2 *	3/2003	Zahuranec et al.	.....	134/21
D473,025 S *	4/2003	Simmons	.....	D32/17
D489,499 S *	5/2004	Buzzi	.....	D32/17
D493,586 S *	7/2004	Choi	.....	D32/21
D499,517 S *	12/2004	Chen	.....	D32/17

6,865,773 B2 *	3/2005	Tsen	.....	15/323
6,968,593 B1 *	11/2005	Lenkiewicz et al.	.....	15/320
D519,249 S *	4/2006	Liu et al.	.....	D32/21
D520,196 S *	5/2006	Liu	.....	D32/21
D522,192 S *	5/2006	Liu et al.	.....	D32/21
D523,597 S *	6/2006	Lee	.....	D32/17
D530,468 S *	10/2006	Lee	.....	D32/21
D530,869 S *	10/2006	Chen	.....	D32/21
D531,768 S *	11/2006	Lee	.....	D32/21
D537,215 S *	2/2007	Foersterling	.....	D32/9
D552,810 S *	10/2007	Shin	.....	D32/21
D553,811 S *	10/2007	Shin	.....	D32/21
D569,062 S *	5/2008	Nardone	.....	D32/21
7,421,759 B2 *	9/2008	Michael et al.	.....	15/320

(Continued)

*Primary Examiner* — Elizabeth J Oswecki

(74) *Attorney, Agent, or Firm* — Advent IP, P.C., L.L.O.

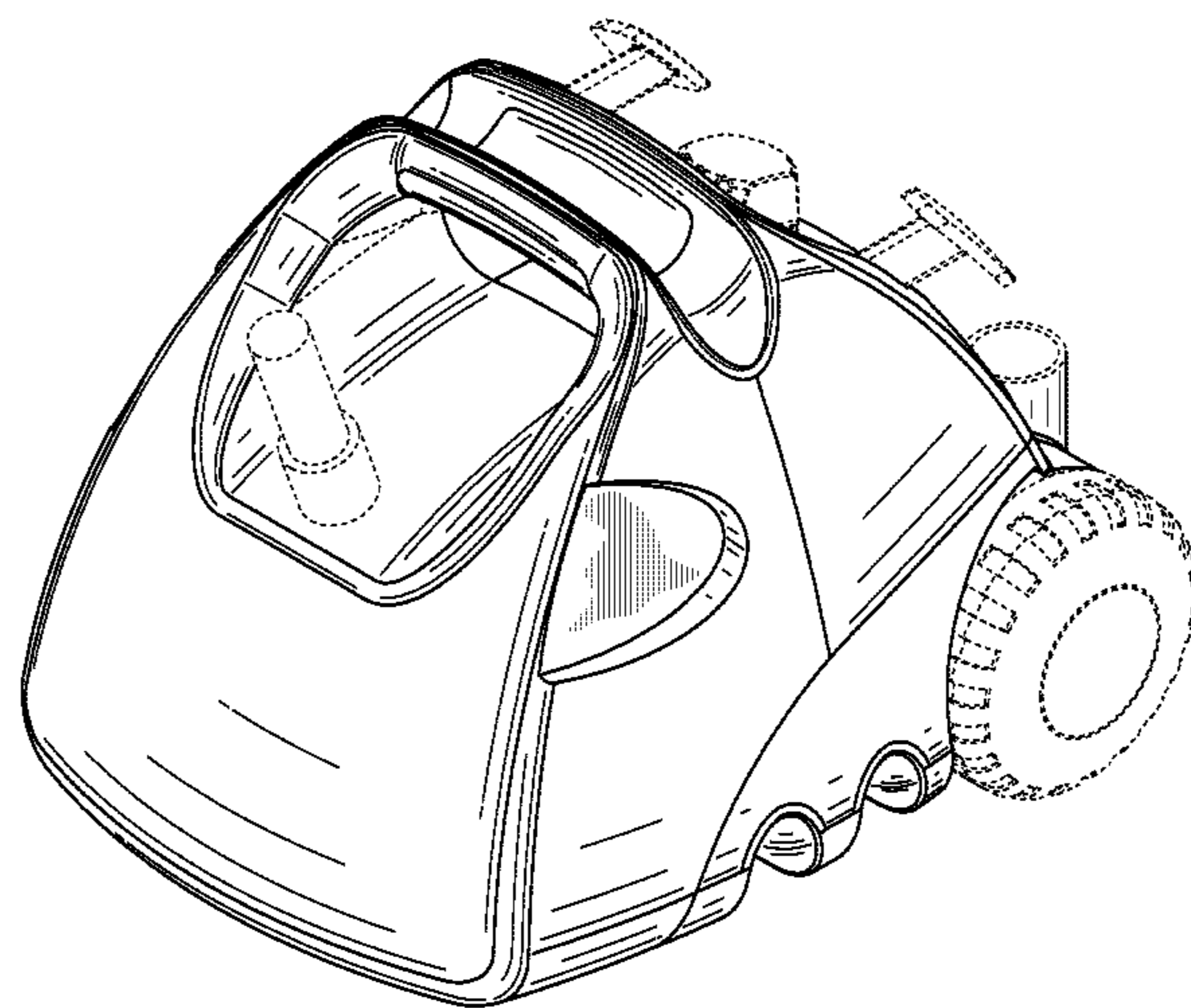
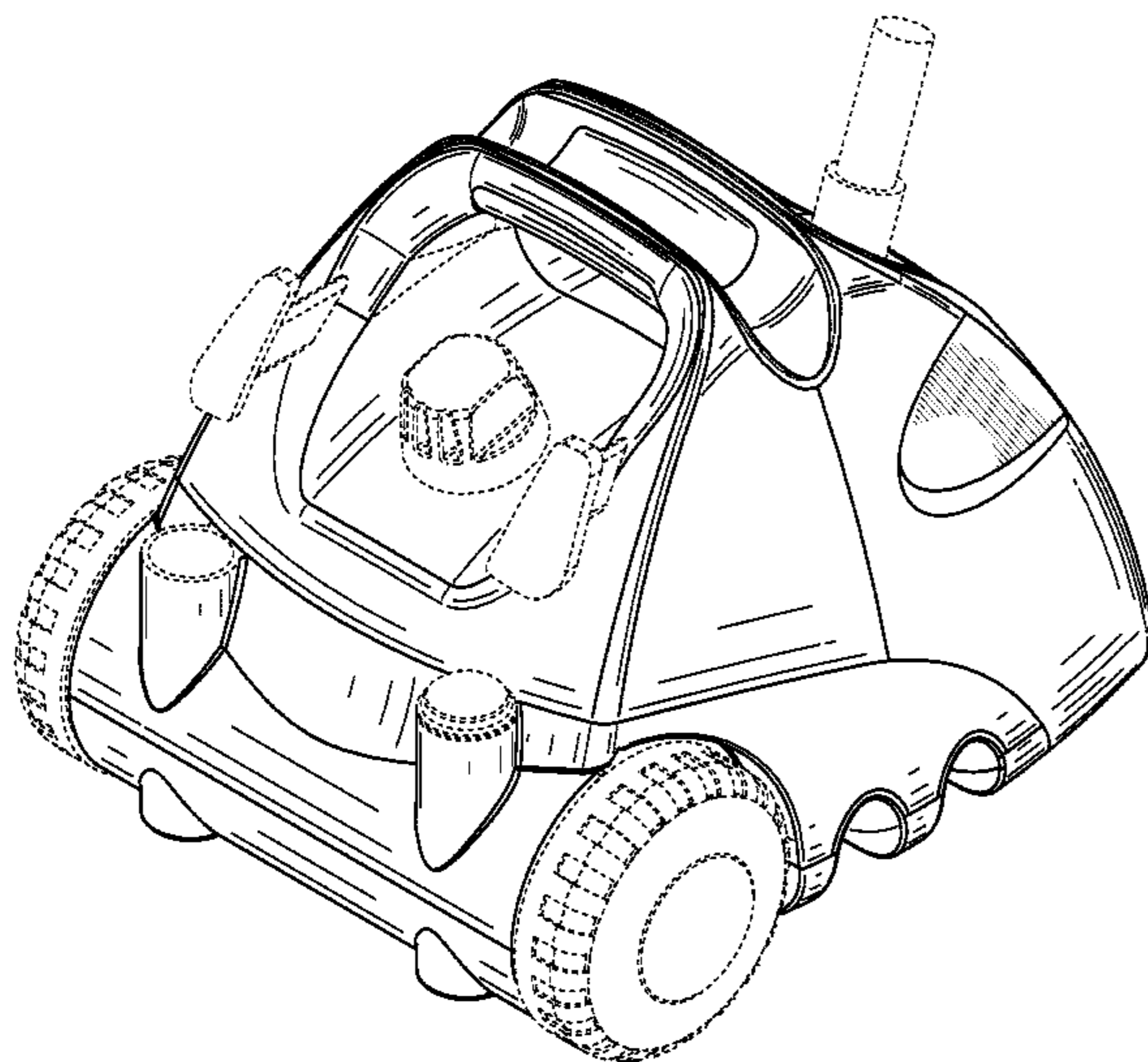
(57) **CLAIM**

The ornamental design for a steam canister, as shown and described.

**DESCRIPTION**

FIG. 1 is a rear, right perspective view of a steam canister showing our new design; FIG. 2 is a front, left perspective view of the steam canister; FIG. 3 is a rear elevation view of the steam canister of FIG. 1; FIG. 4 is a front elevation view of the steam canister of FIG. 1; FIG. 5 is a left elevation view of the steam canister of FIG. 1; FIG. 6 is a right elevation view of the steam canister of FIG. 1; FIG. 7 is a top plan view of the steam canister of FIG. 1; and, FIG. 8 is a bottom plan view of the steam canister of FIG. 1. In the drawings, the broken lines in FIGS. 1-8 depict portions of the design that form no part of the claim.

**1 Claim, 8 Drawing Sheets**



# US D663,496 S

Page 2

---

## U.S. PATENT DOCUMENTS

D580,608 S *	11/2008	Santiago et al. ....	D32/21	D627,940 S *	11/2010	Smith .....	D32/17
D599,511 S *	9/2009	Massip et al. ....	D32/17	2002/0178532 A1 *	12/2002	Amoretti .....	15/327.2
D623,365 S *	9/2010	Ediger et al. ....	D32/17	2003/0208872 A1 *	11/2003	Tsen .....	15/321
D623,366 S *	9/2010	Ediger et al. ....	D32/17	2004/0144140 A1 *	7/2004	Lee .....	68/222

\* cited by examiner

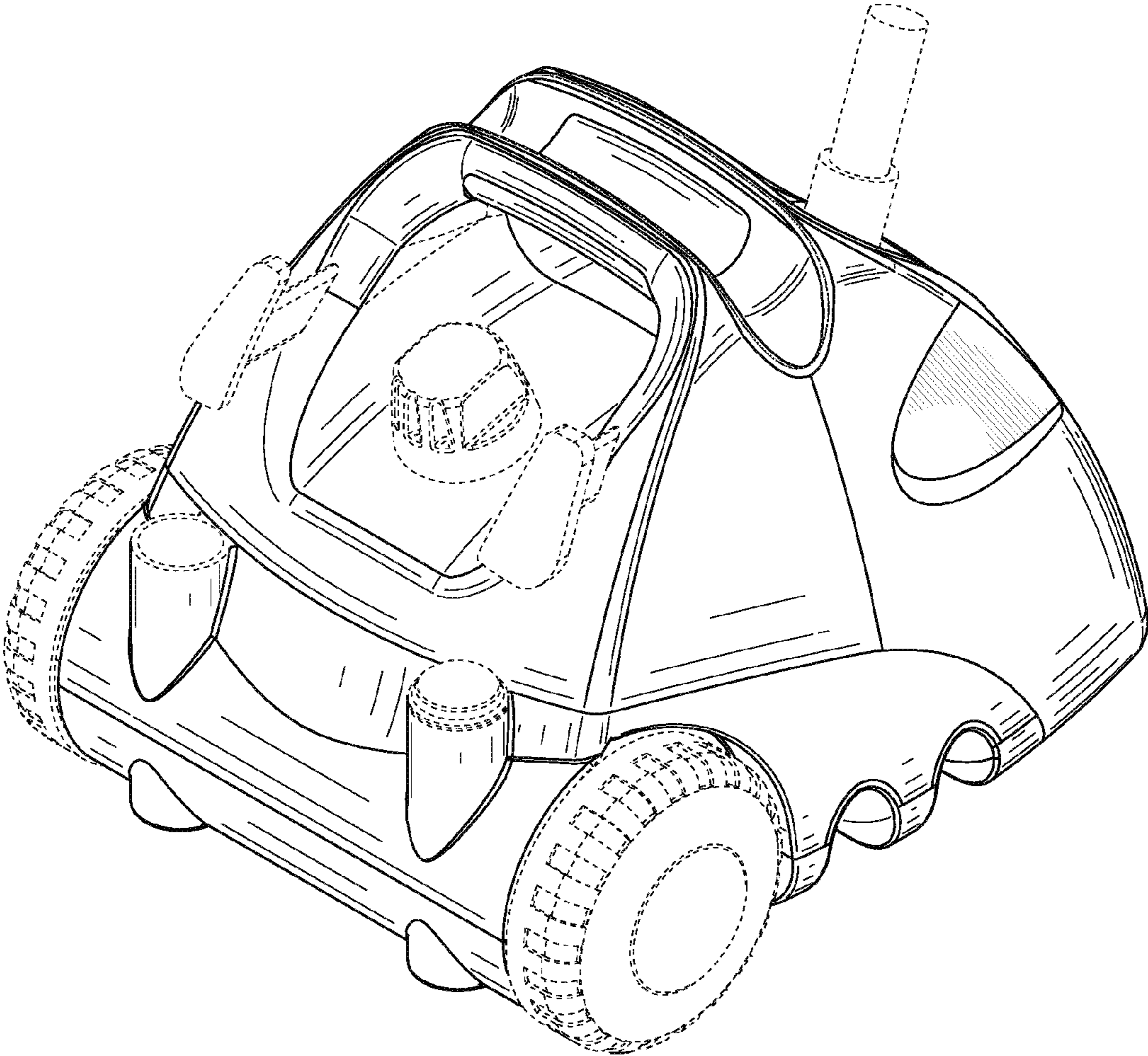


FIG. 1



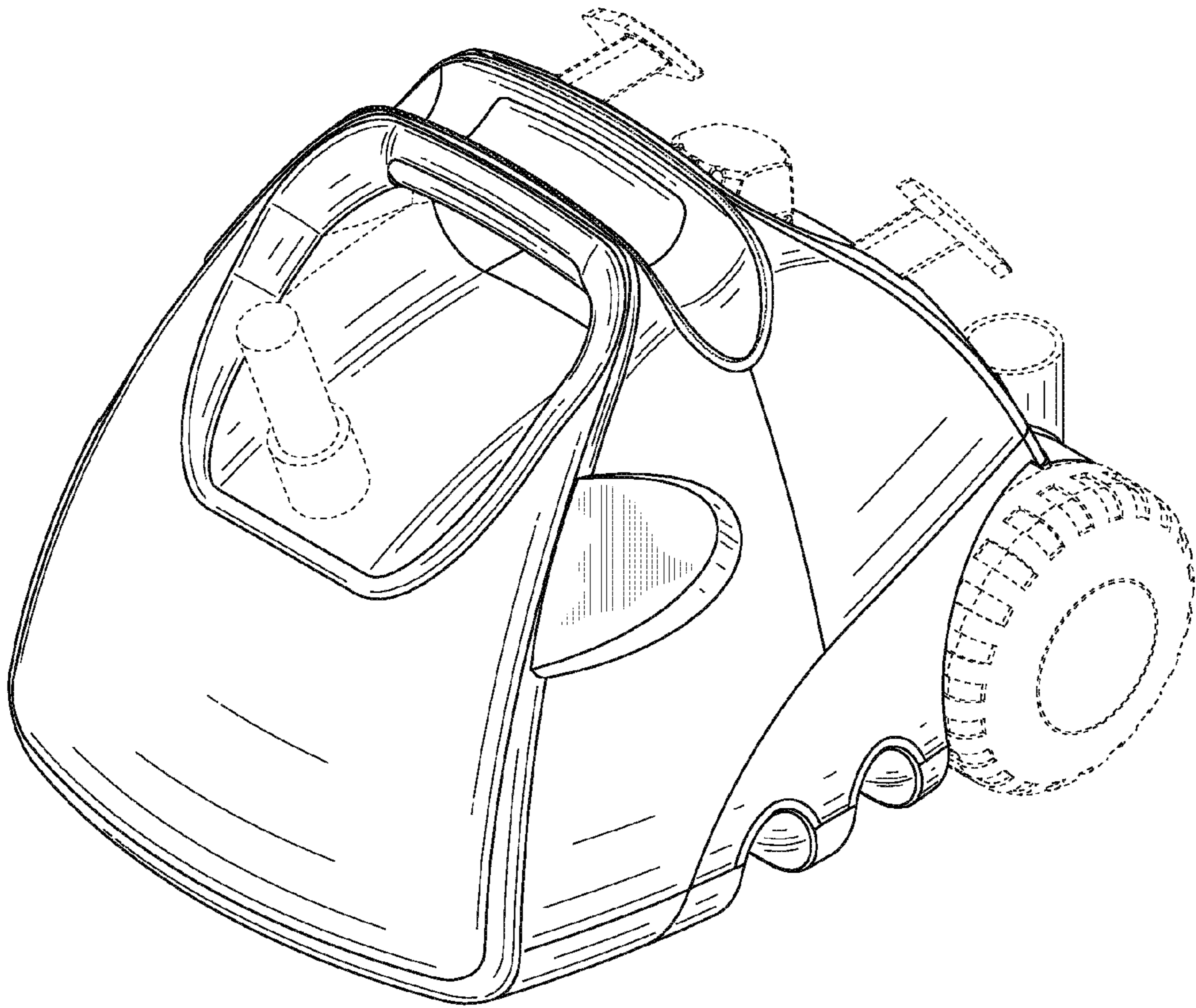


FIG. 2

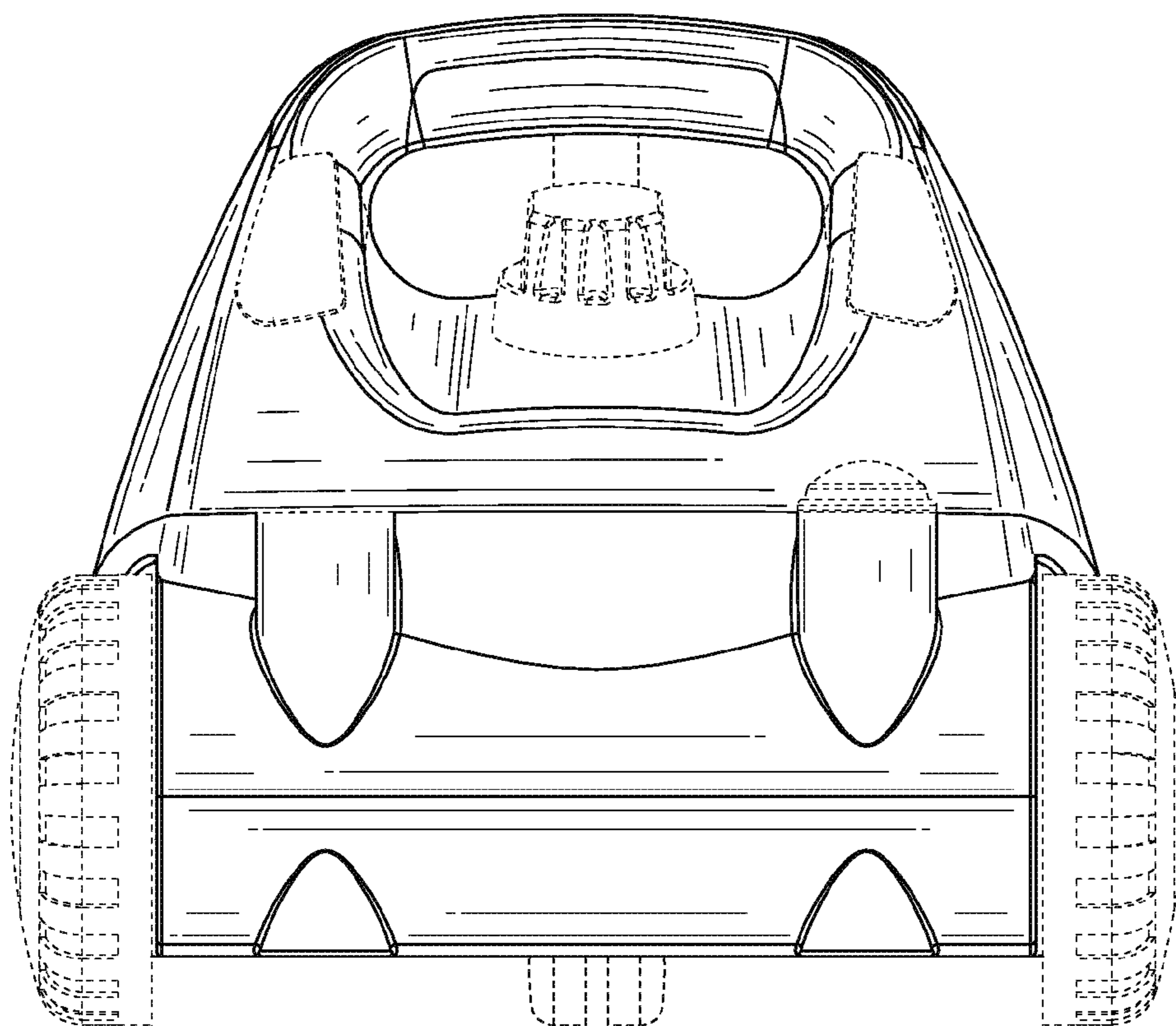


FIG. 3

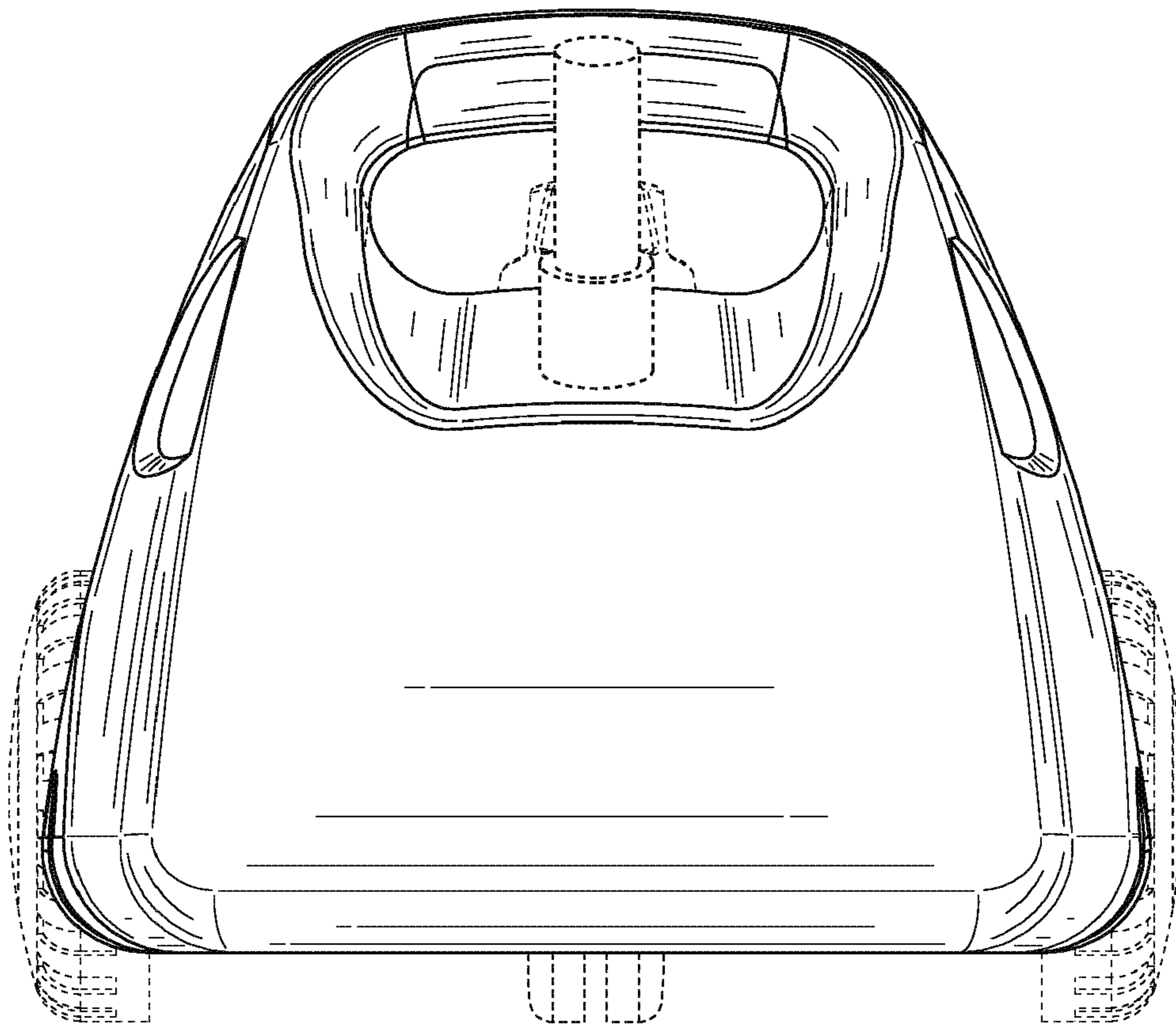


FIG. 4

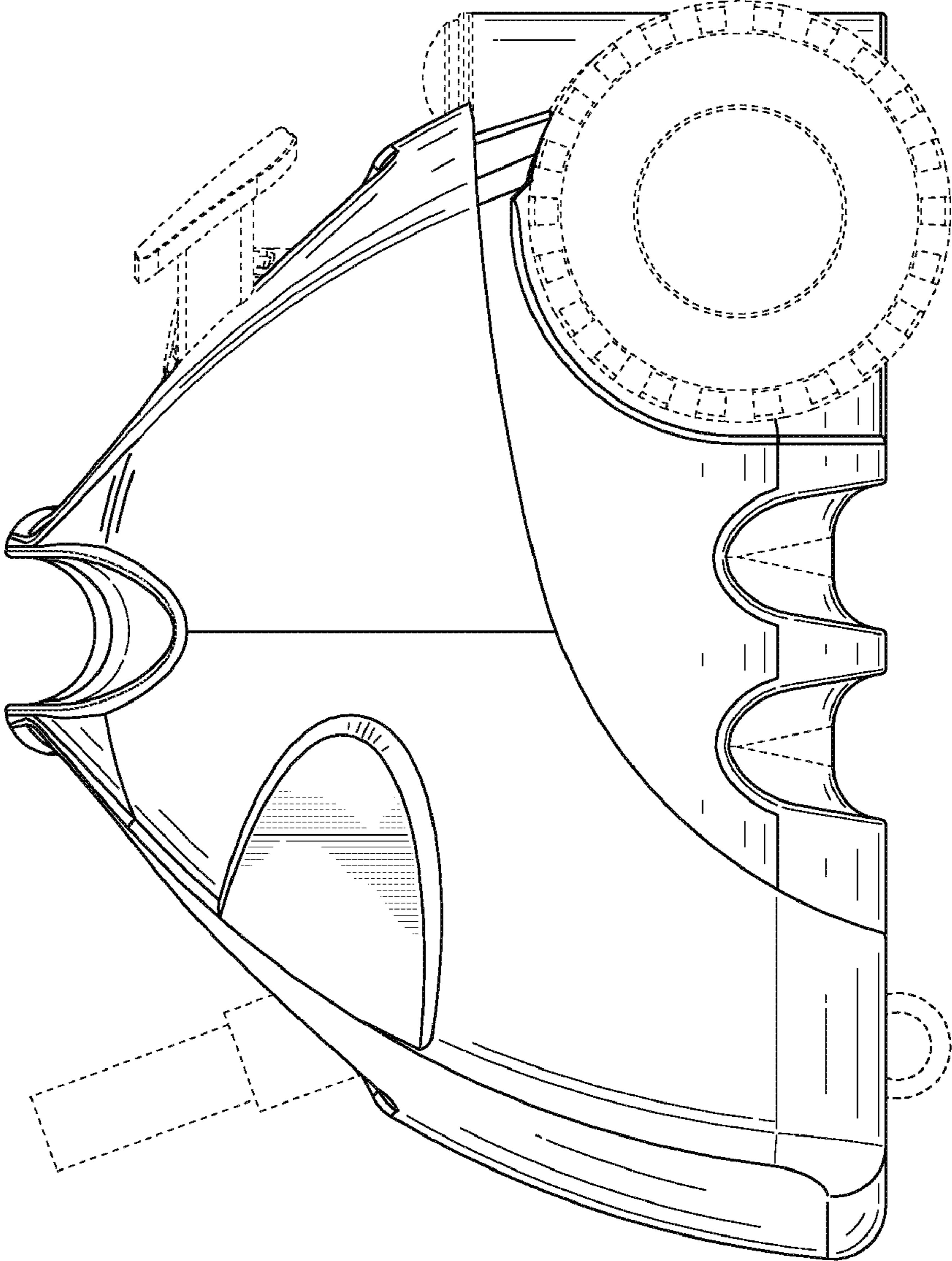


FIG. 5

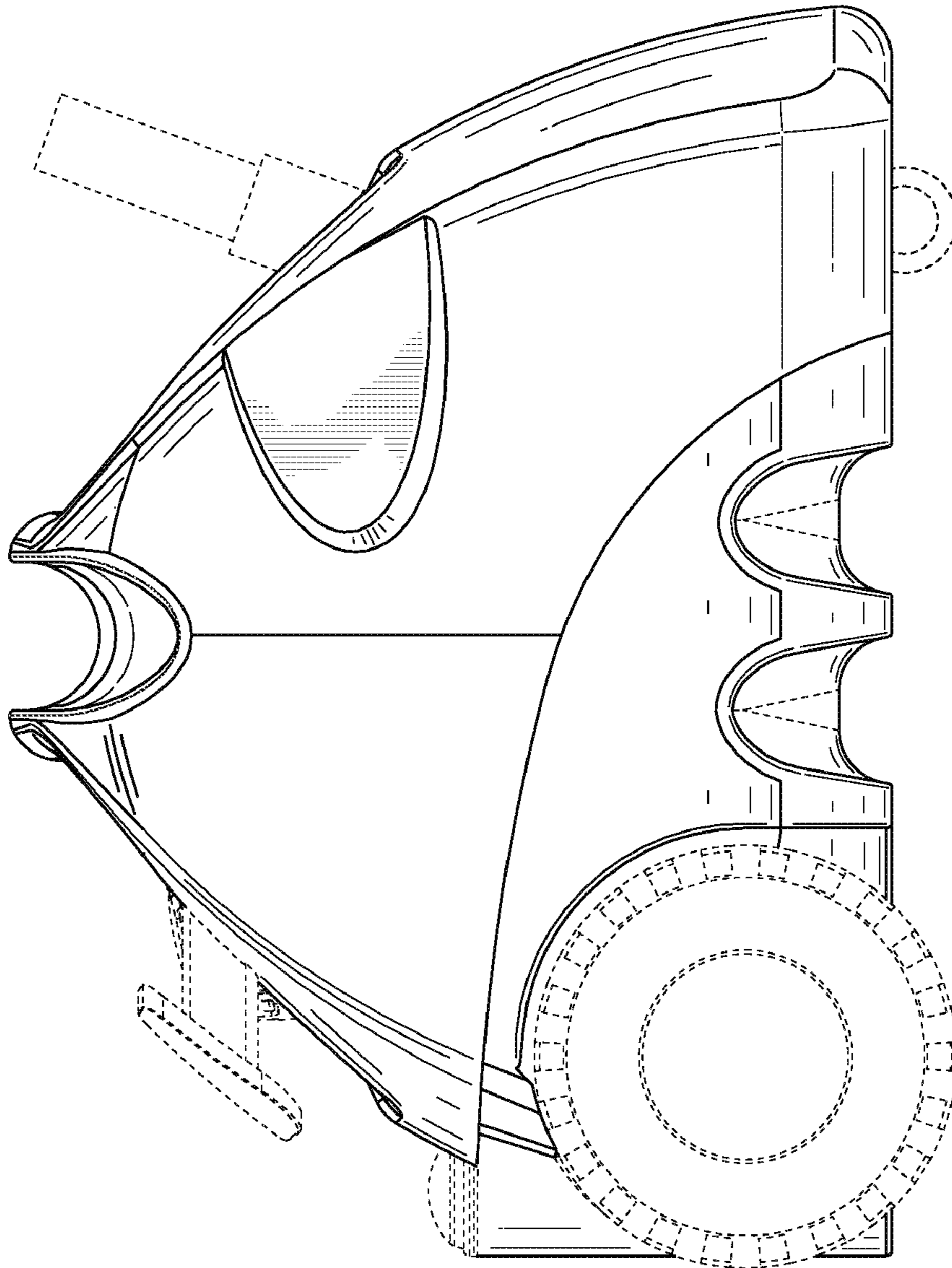
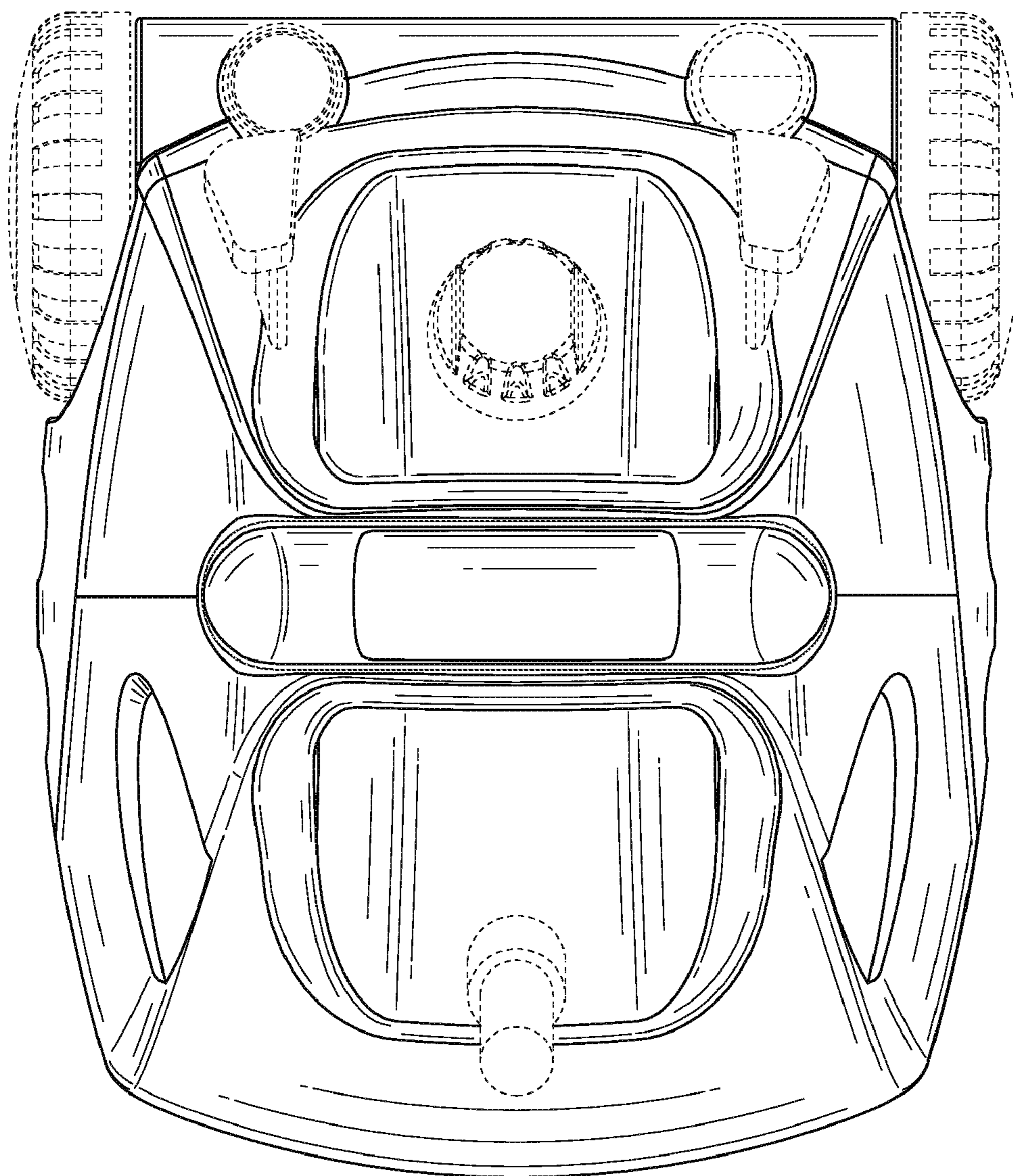


FIG. 6





**FIG. 7**

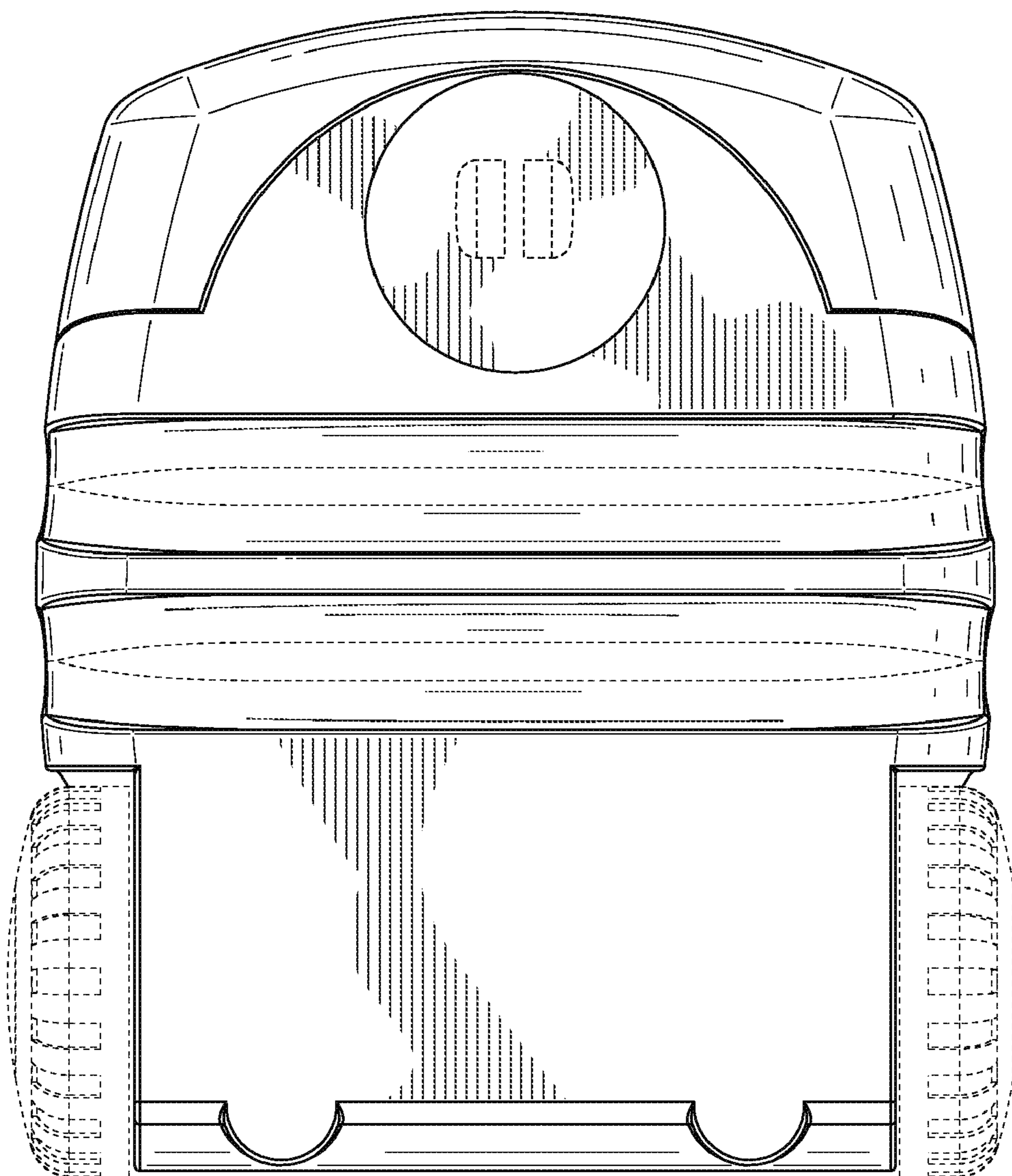


FIG. 8