



US00D663492S

(12) **United States Design Patent**
Haaf et al.

(10) **Patent No.:** **US D663,492 S**
(45) **Date of Patent:** **** Jul. 10, 2012**

(54) **CAT SCRATCHER**

(75) Inventors: **David Haaf**, San Rafael, CA (US); **Sara Paculdo**, San Francisco, CA (US)

(73) Assignee: **Worldwise, Inc.**, San Rafael, CA (US)

(**) Term: **14 Years**

(21) Appl. No.: **29/414,999**

(22) Filed: **Mar. 6, 2012**

(51) **LOC (9) Cl.** **30-99**

(52) **U.S. Cl.** **D30/160; D6/349**

(58) **Field of Classification Search** D30/118-119,
D30/158, 160; D6/349; 119/28.5, 702, 706;
D21/826

See application file for complete search history.

(56) **References Cited**

U.S. PATENT DOCUMENTS

3,482,548	A *	12/1969	Burns	119/706
D221,072	S *	7/1971	Arenhold	D6/349
D269,821	S *	7/1983	Hurley	D30/160
D353,029	S *	11/1994	Northrop et al.	D30/108
5,795,276	A *	8/1998	Almeda	482/142
D466,749	S *	12/2002	O'Quinn	D6/601

D589,657	S *	3/2009	Lamstein	D30/118
D644,795	S *	9/2011	Haaf	D30/160
D644,796	S *	9/2011	Haaf	D30/160
D651,371	S *	12/2011	Seliskar et al.	D30/160
D652,179	S *	1/2012	Haaf	D30/160
D655,463	S *	3/2012	Seliskar et al.	D30/160
D655,464	S *	3/2012	Seliskar et al.	D30/160

* cited by examiner

Primary Examiner — Cathy A MacCormac

(74) *Attorney, Agent, or Firm* — Bay Area Technology Law Group PC

(57) **CLAIM**

The ornamental design for a cat scratcher, as shown and described.

DESCRIPTION

FIG. 1 is a perspective view of a cat scratcher showing our new design;

FIG. 2 is a front view of FIG. 1;

FIG. 3 is a rear view of FIG. 1;

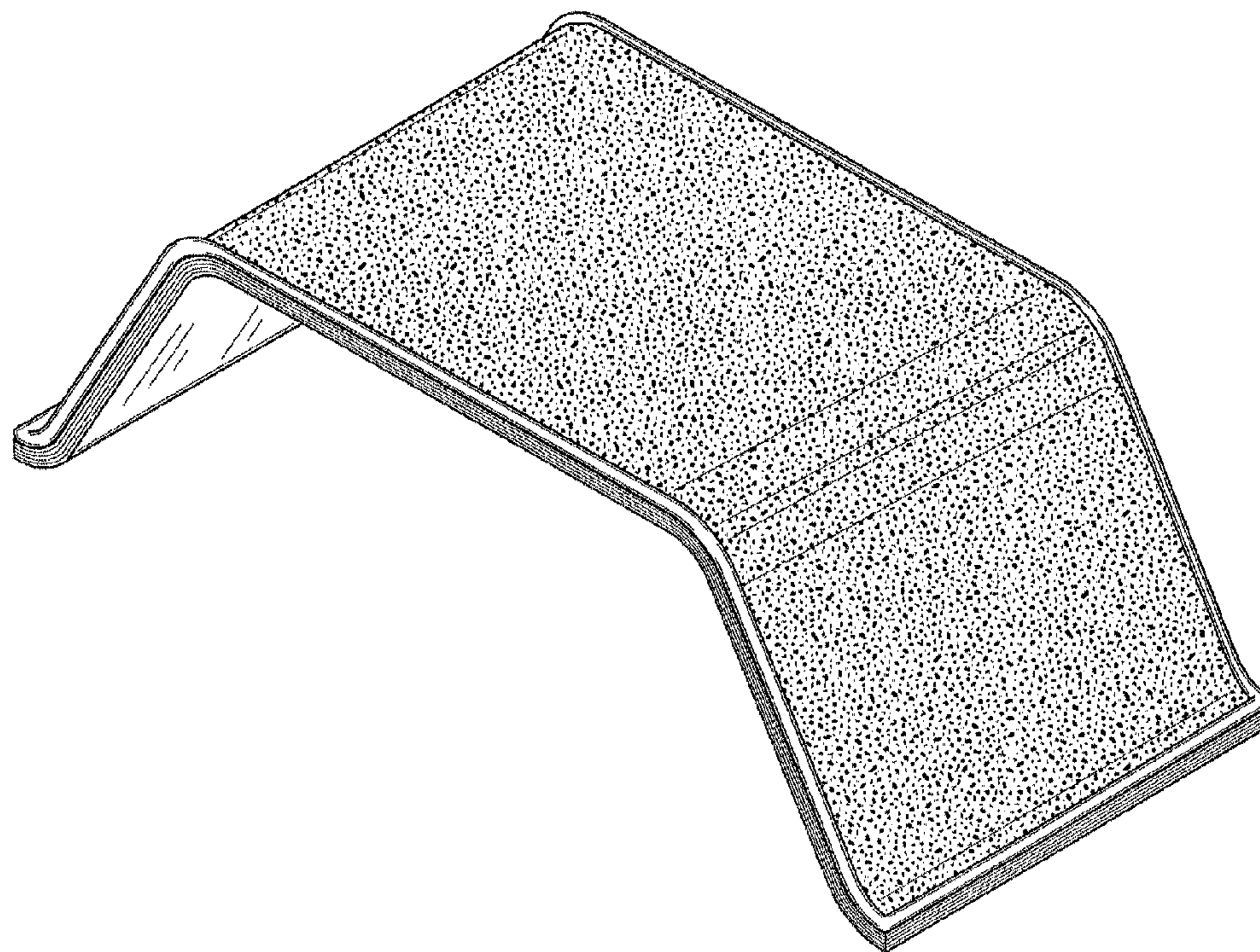
FIG. 4 is a top plan view of FIG. 1;

FIG. 5 is a bottom plan view of FIG. 1;

FIG. 6 is a right side view of FIG. 1; and,

FIG. 7 is a left side view of FIG. 1.

1 Claim, 3 Drawing Sheets



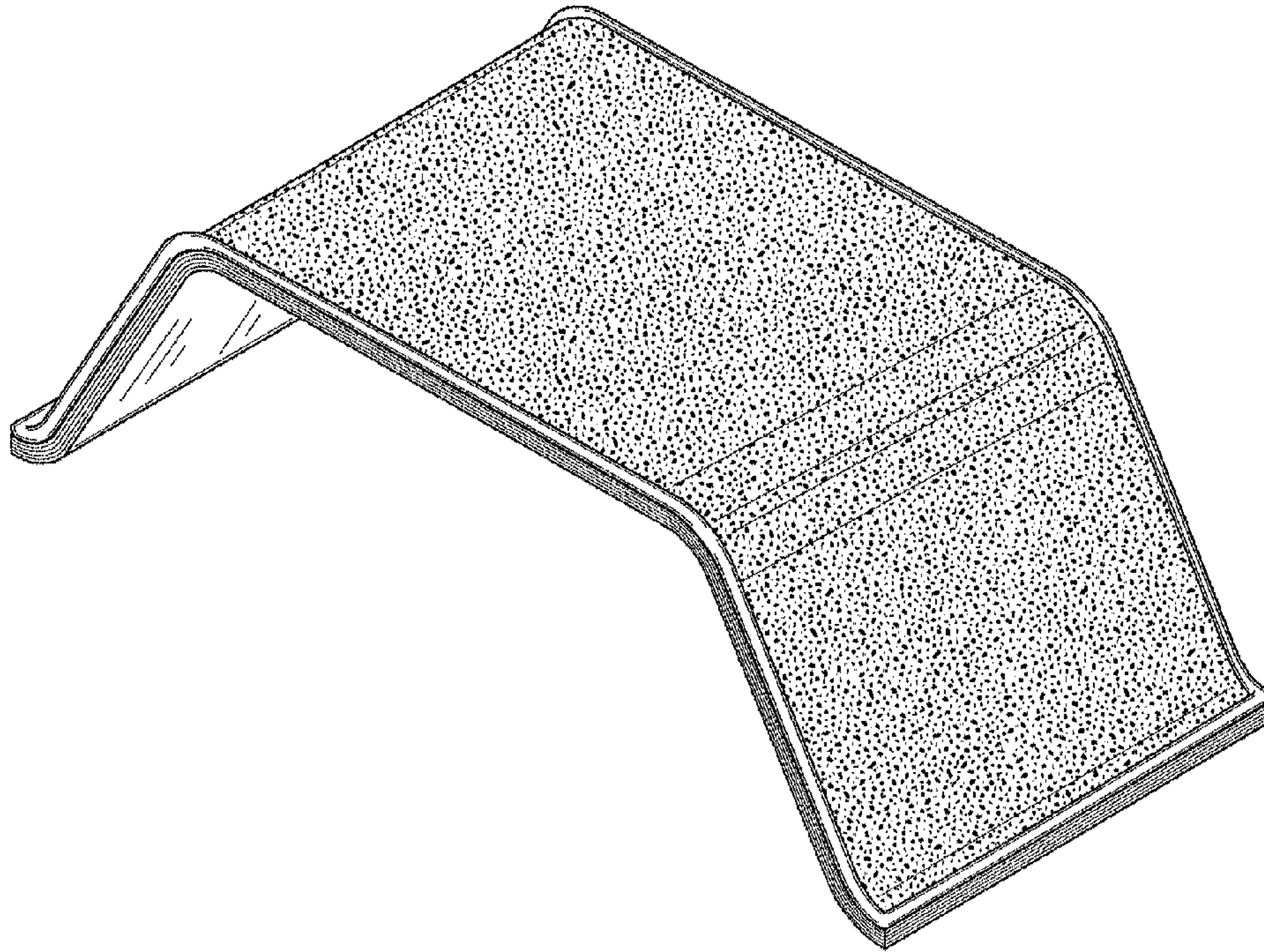


FIG. 1

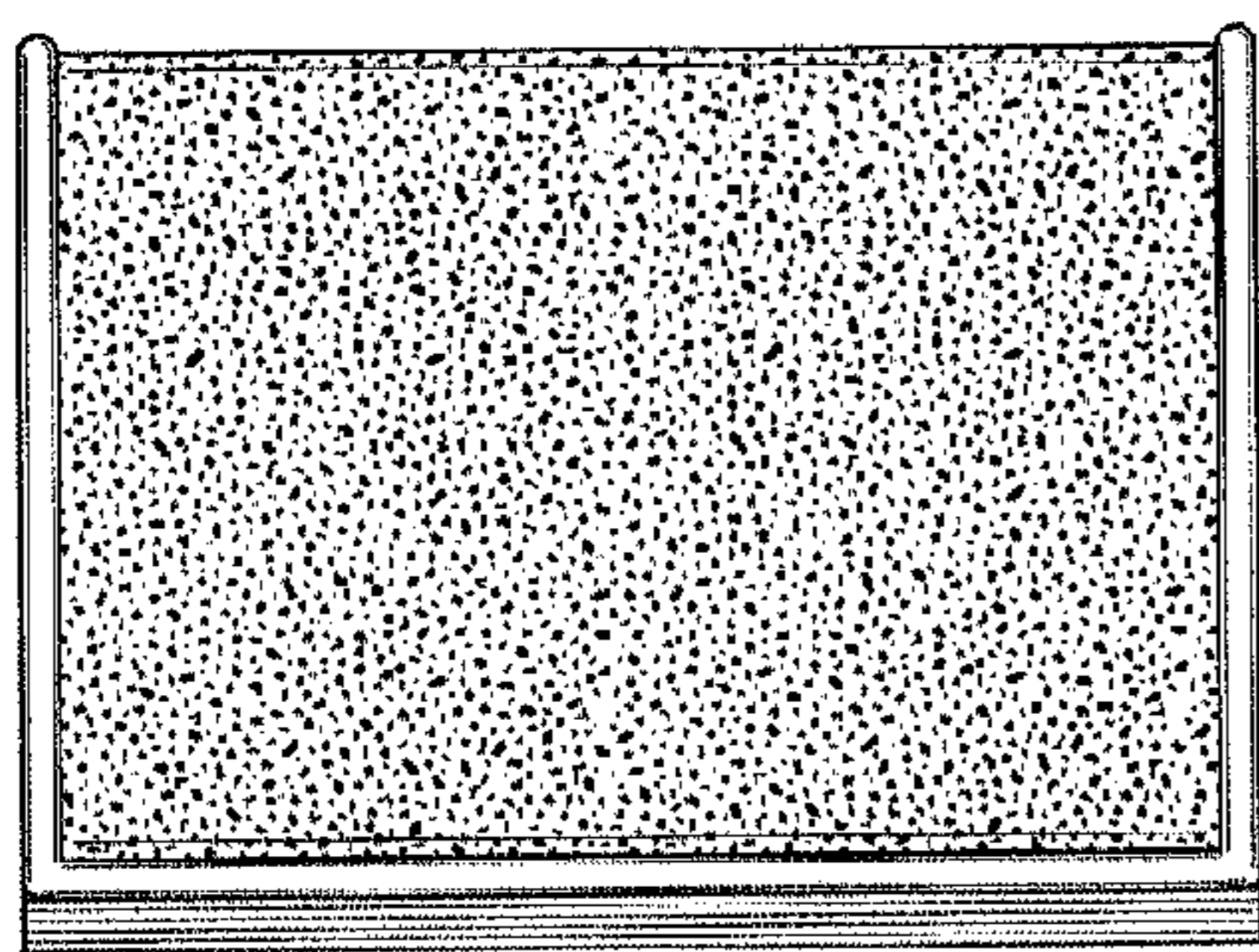


FIG. 2

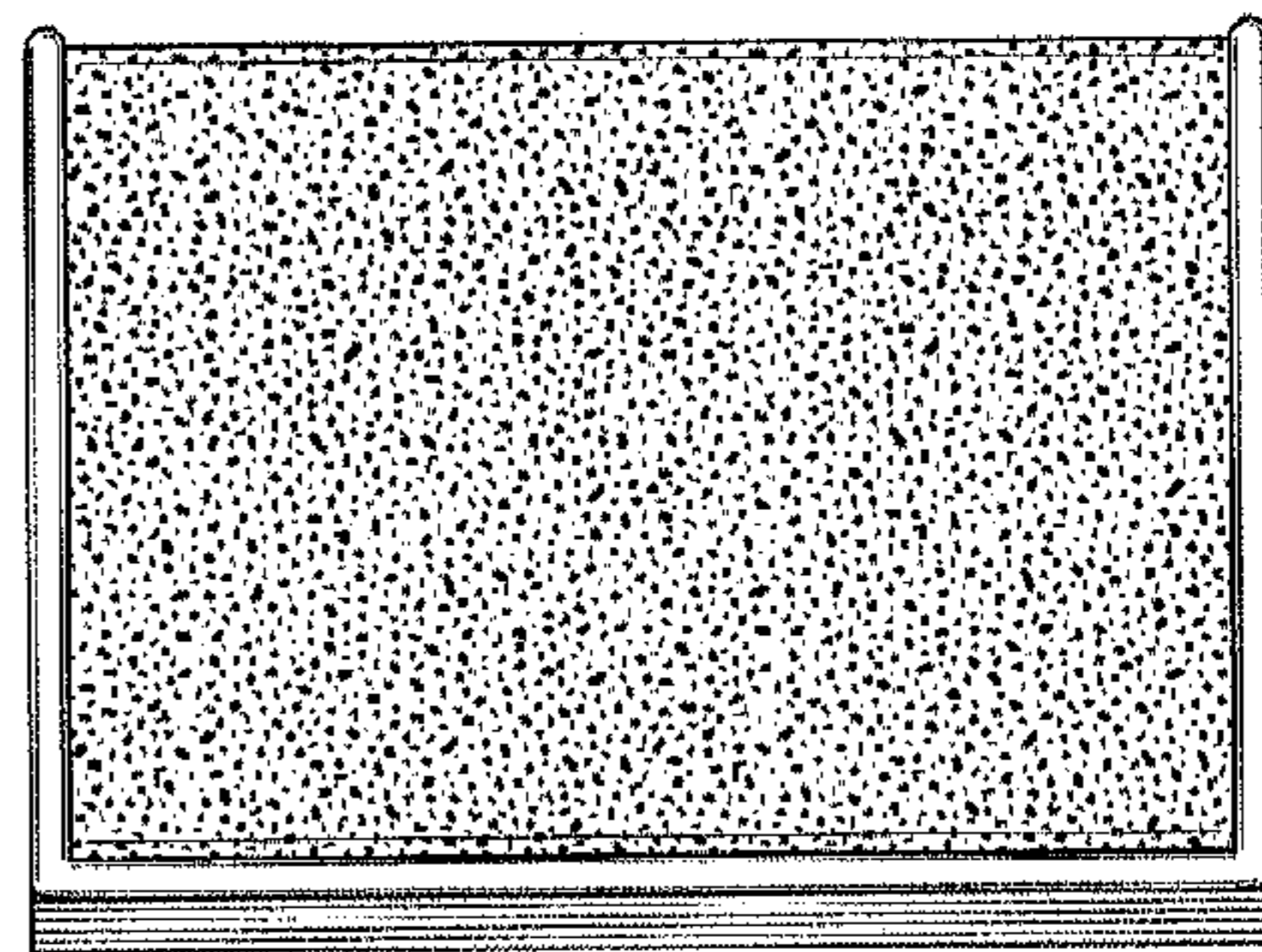


FIG. 3

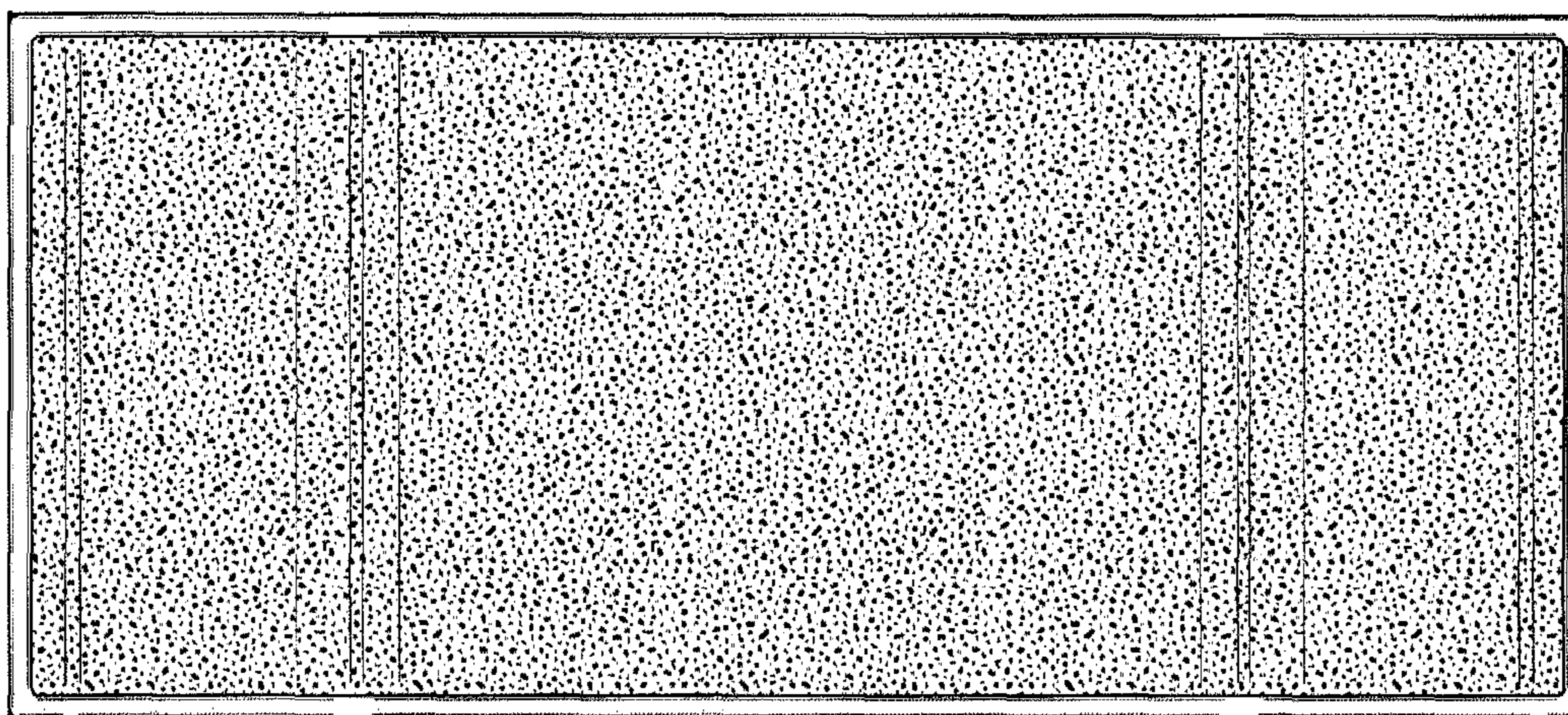


FIG. 4

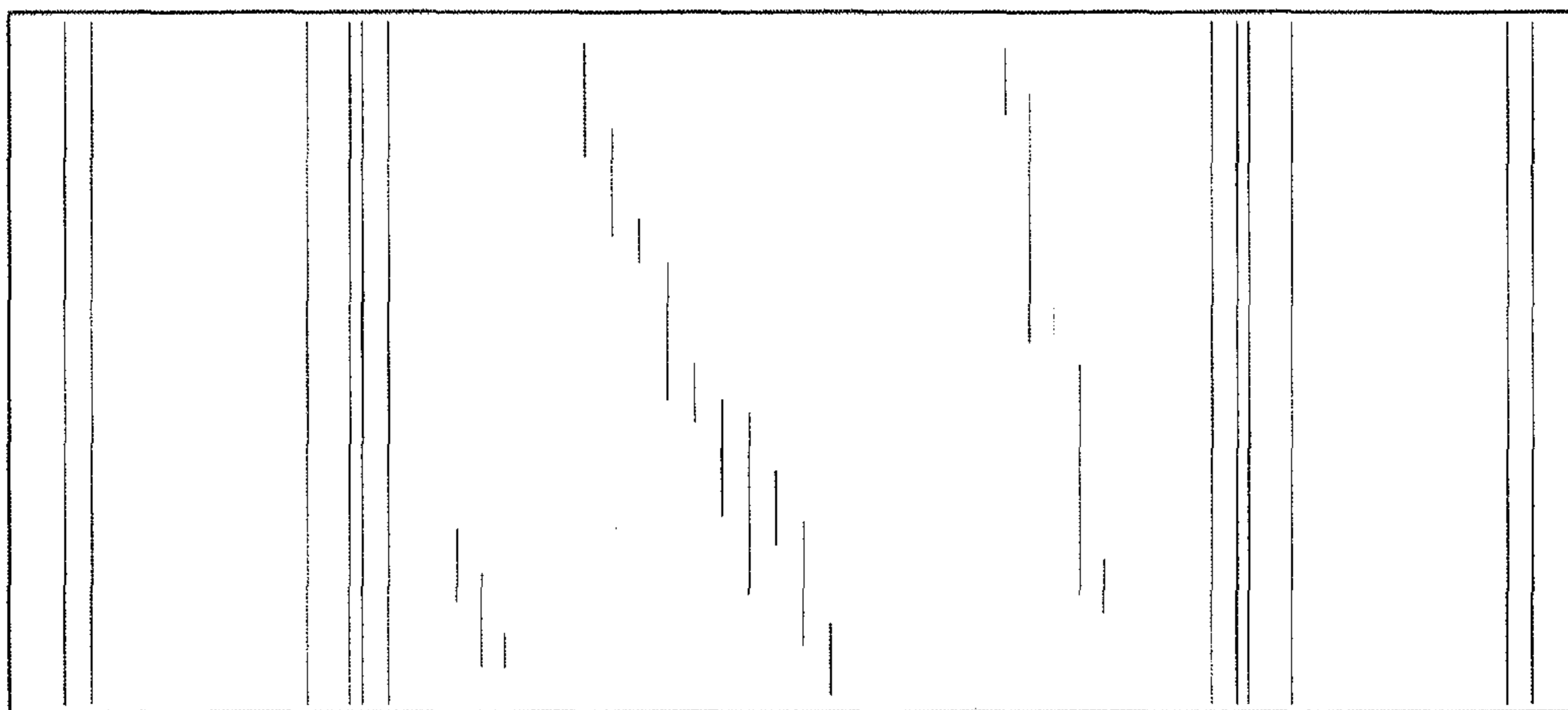


FIG. 5

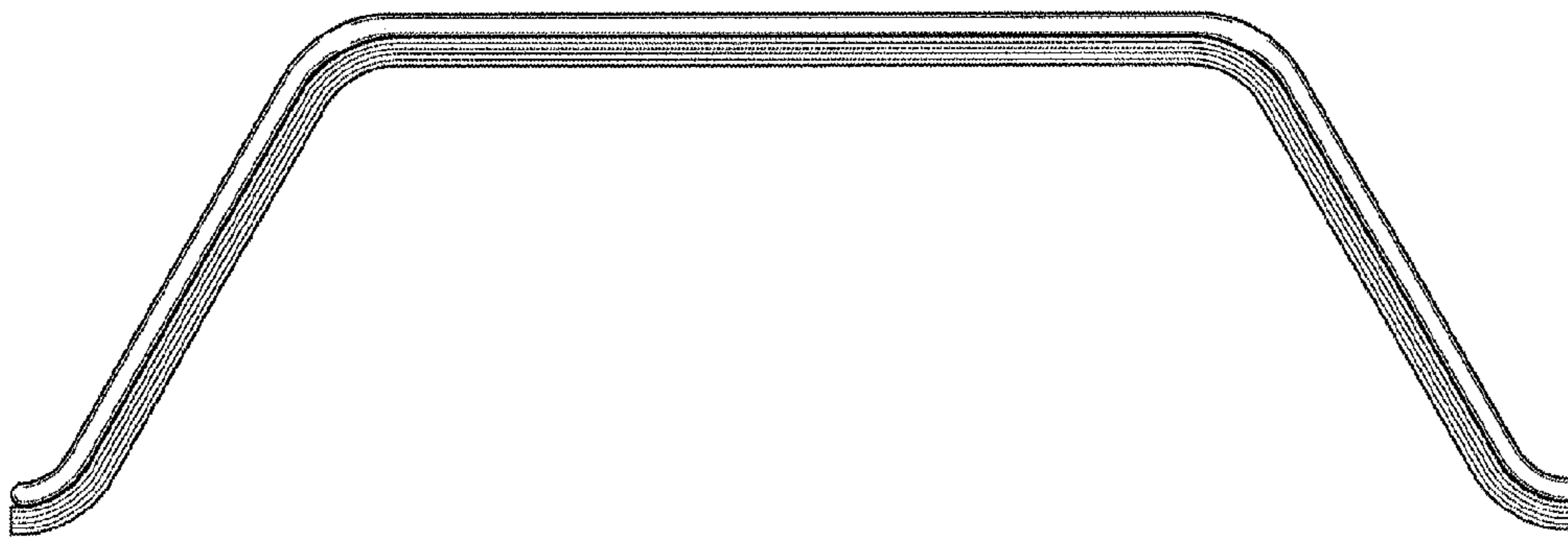


FIG. 6



FIG. 7