



US00D663491S

(12) **United States Design Patent**  
**Haaf et al.**

(10) **Patent No.:** **US D663,491 S**  
(45) **Date of Patent:** **\*\* Jul. 10, 2012**

(54) **CAT SCRATCHER**

(75) Inventors: **David Haaf**, San Rafael, CA (US); **Sara Paculdo**, San Francisco, CA (US)

(73) Assignee: **Worldwise, Inc.**, San Rafael, CA (US)

(\*\*) Term: **14 Years**

(21) Appl. No.: **29/414,996**

(22) Filed: **Mar. 6, 2012**

(51) **LOC (9) Cl.** ..... **30-99**

(52) **U.S. Cl.** ..... **D30/160**

(58) **Field of Classification Search** ..... D30/118-119,  
D30/158, 160; 119/28.5, 702, 706; D6/349;  
D21/826

See application file for complete search history.

(56) **References Cited**

**U.S. PATENT DOCUMENTS**

2,005,817	A *	6/1935	Yoder	.....	119/706
4,040,520	A *	8/1977	Joaquin	.....	D30/160
D254,815	S *	4/1980	Kossar	.....	D30/158
D269,821	S *	7/1983	Hurley	.....	D30/160
D295,088	S *	4/1988	O'Rourke	.....	D30/160
D353,029	S *	11/1994	Northrop et al.	.....	D30/108

D355,057	S *	1/1995	Northrop et al.	.....	D30/160
D545,007	S *	6/2007	Northrop	.....	D30/160
D585,607	S *	1/2009	Rosenblatt	.....	D30/160
D604,018	S *	11/2009	Simpson et al.	.....	D30/160
D635,308	S *	3/2011	Northrop et al.	.....	D30/160

\* cited by examiner

*Primary Examiner* — Cathy A MacCormac

(74) *Attorney, Agent, or Firm* — Bay Area Technology Law Group PC

(57) **CLAIM**

The ornamental design for a cat scratcher, as shown and described.

**DESCRIPTION**

FIG. 1 is a perspective view of a cat scratcher showing our new design;

FIG. 2 is a left side view of FIG. 1;

FIG. 3 is a top plan view of FIG. 1;

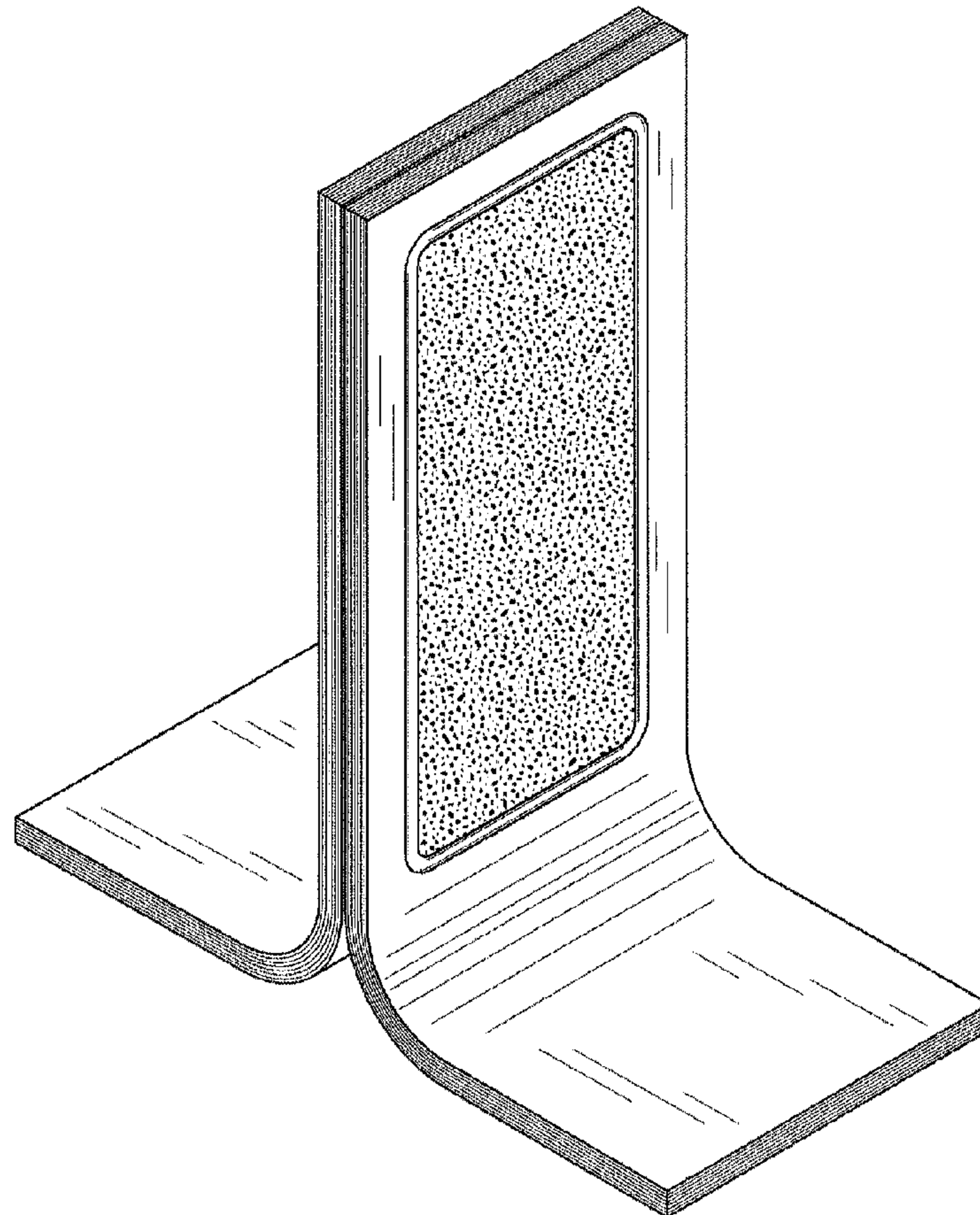
FIG. 4 is a right side view of FIG. 1;

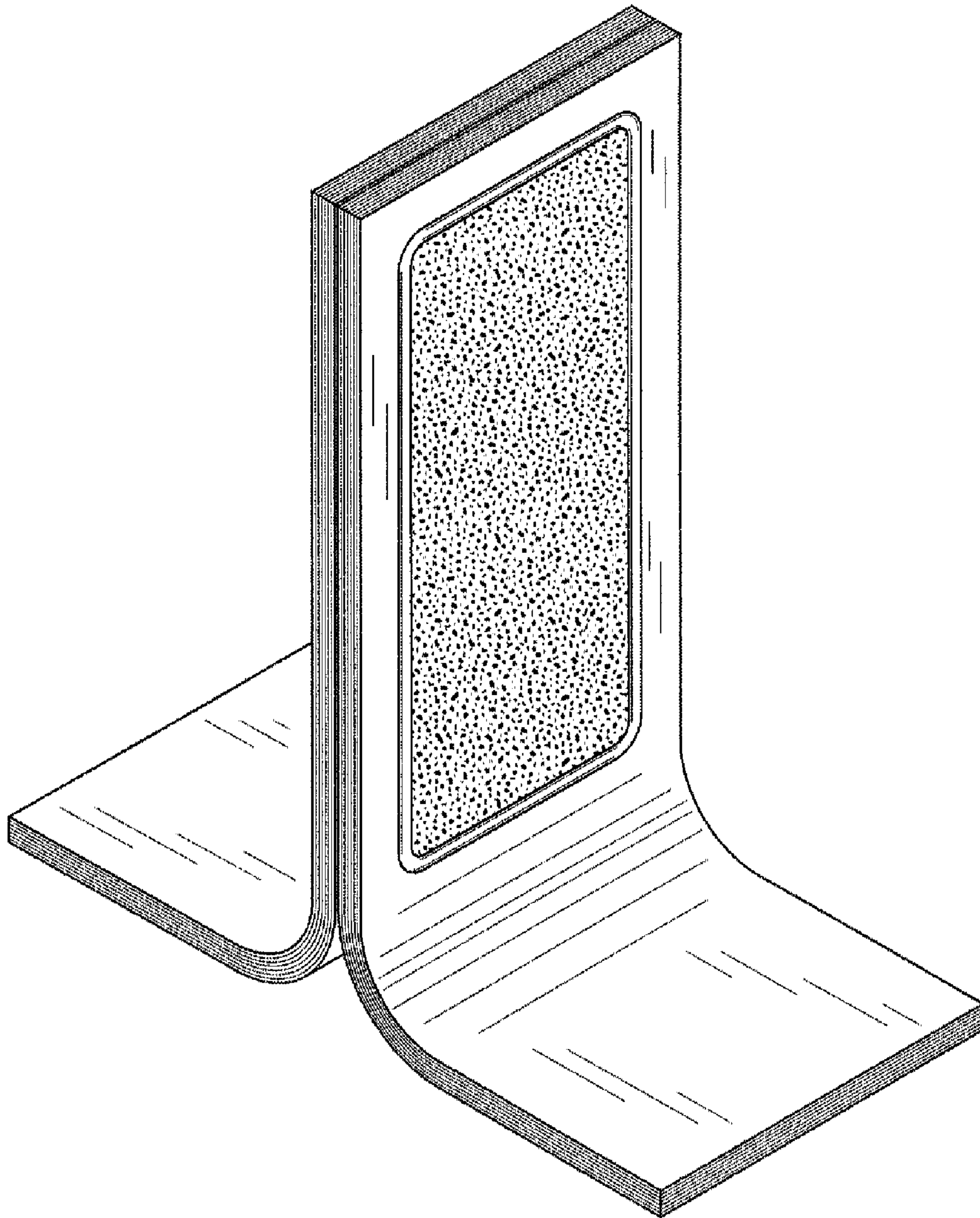
FIG. 5 is a bottom plan view of FIG. 1;

FIG. 6 is a front view of FIG. 1; and,

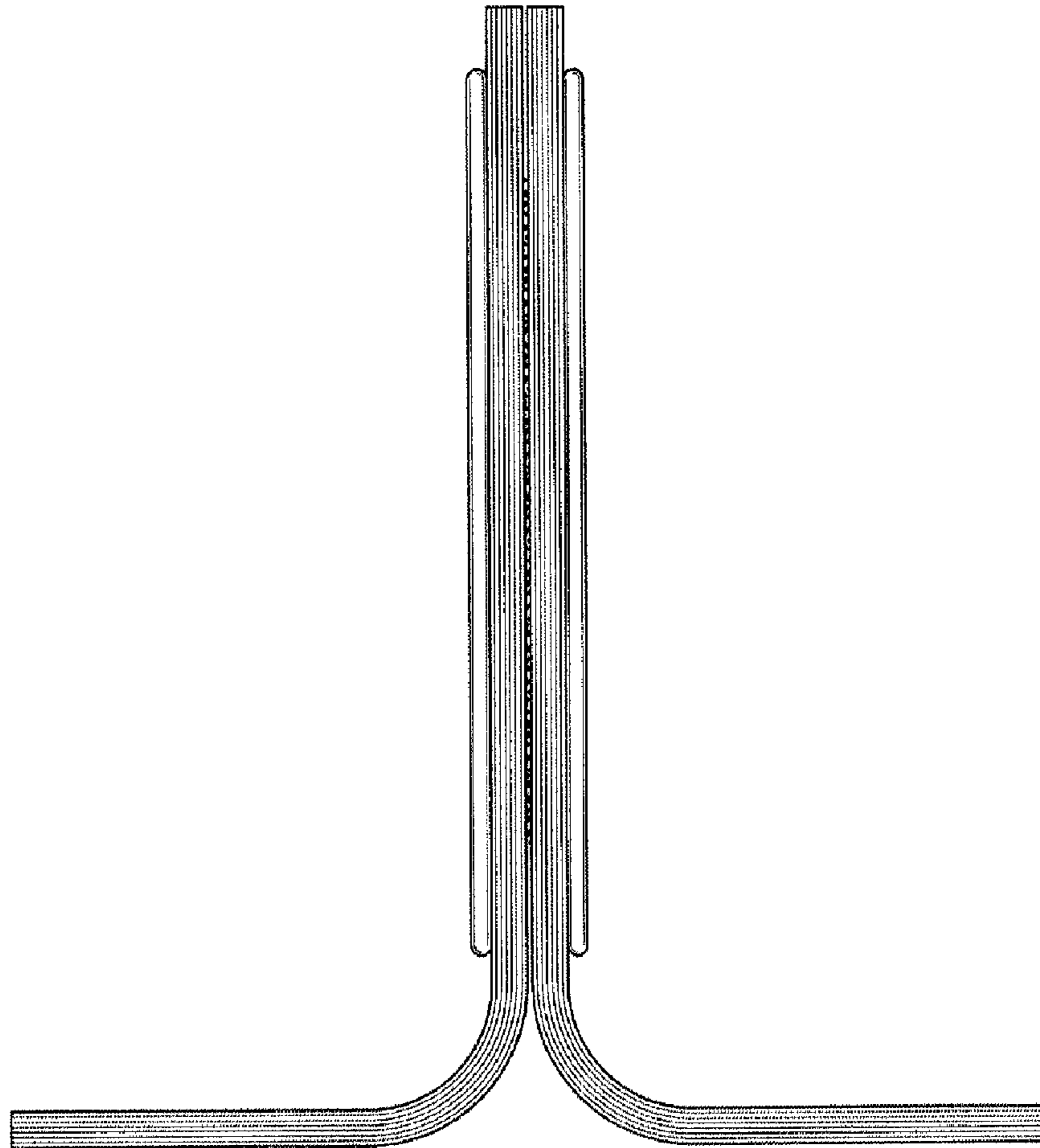
FIG. 7 is a rear view of FIG. 1.

**1 Claim, 4 Drawing Sheets**

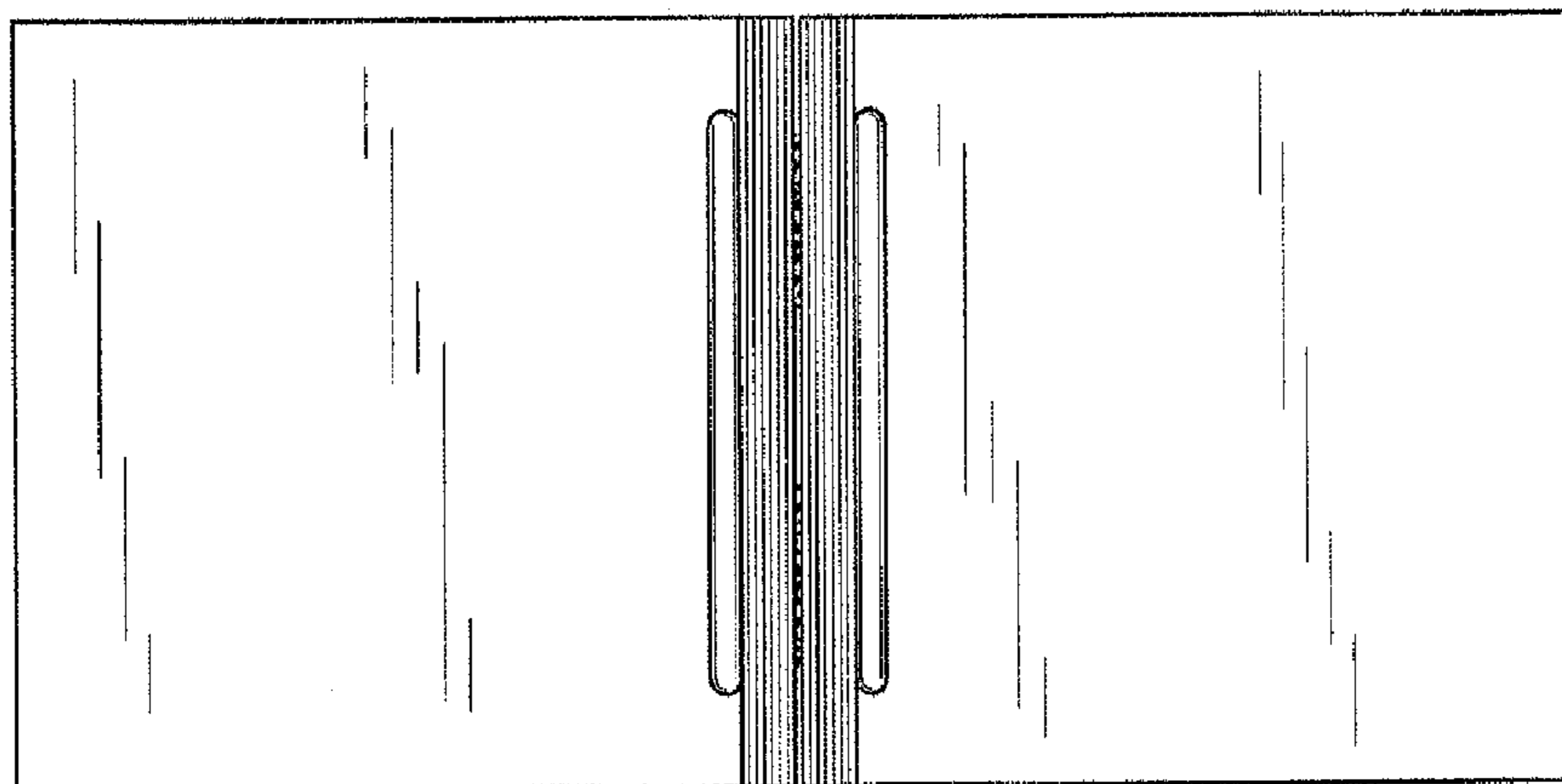




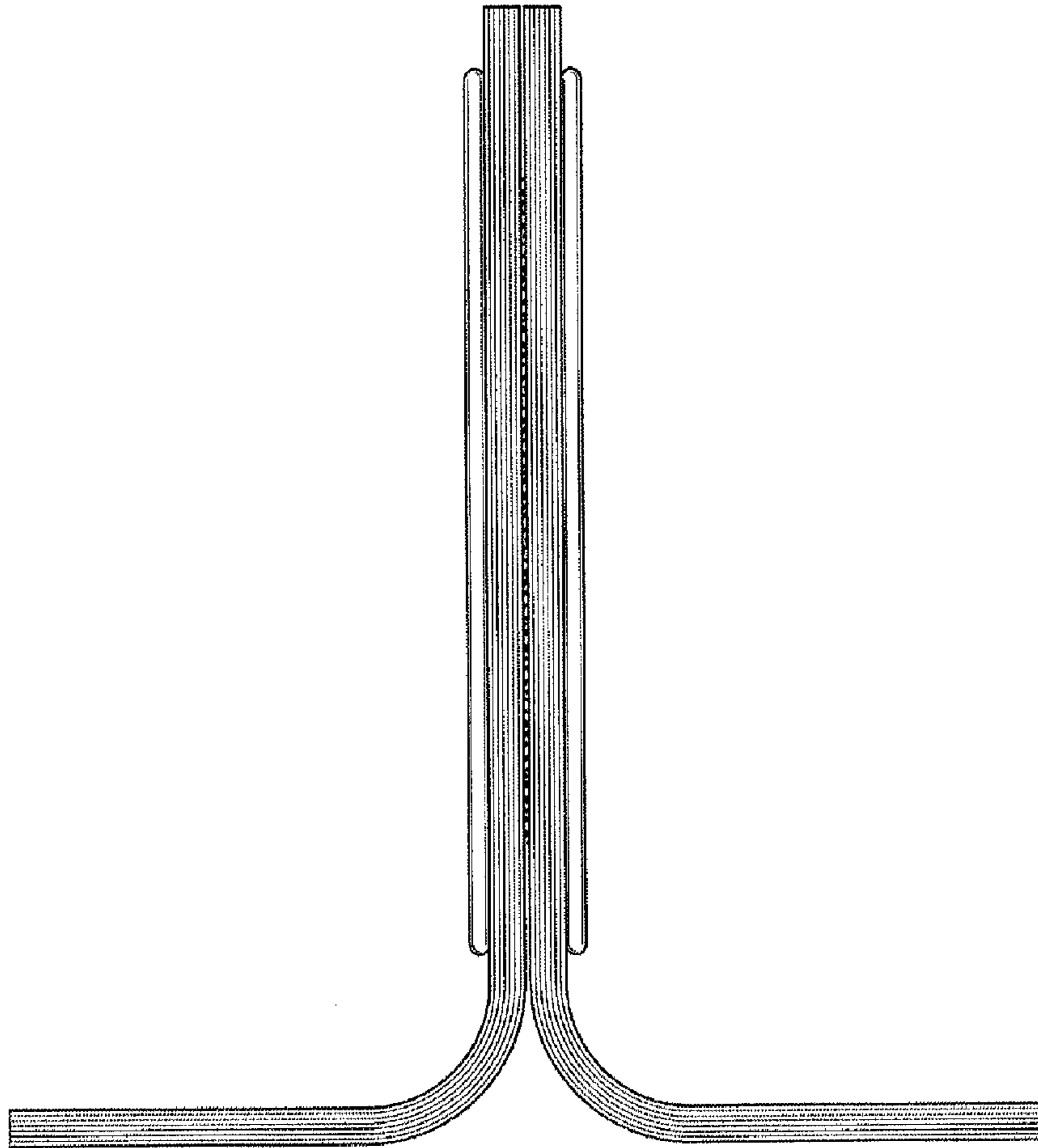
**FIG. 1**



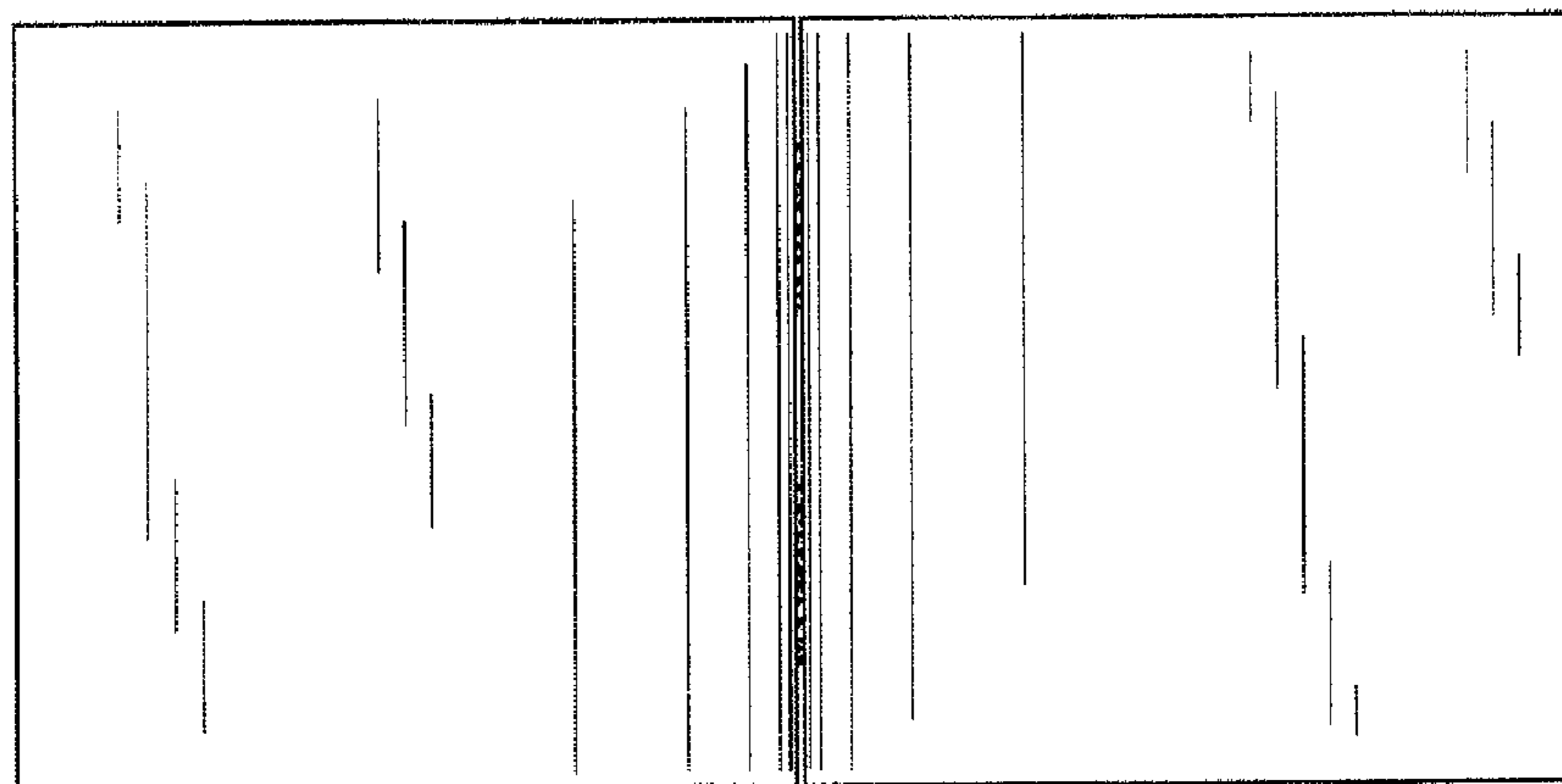
**FIG. 2**



**FIG. 3**

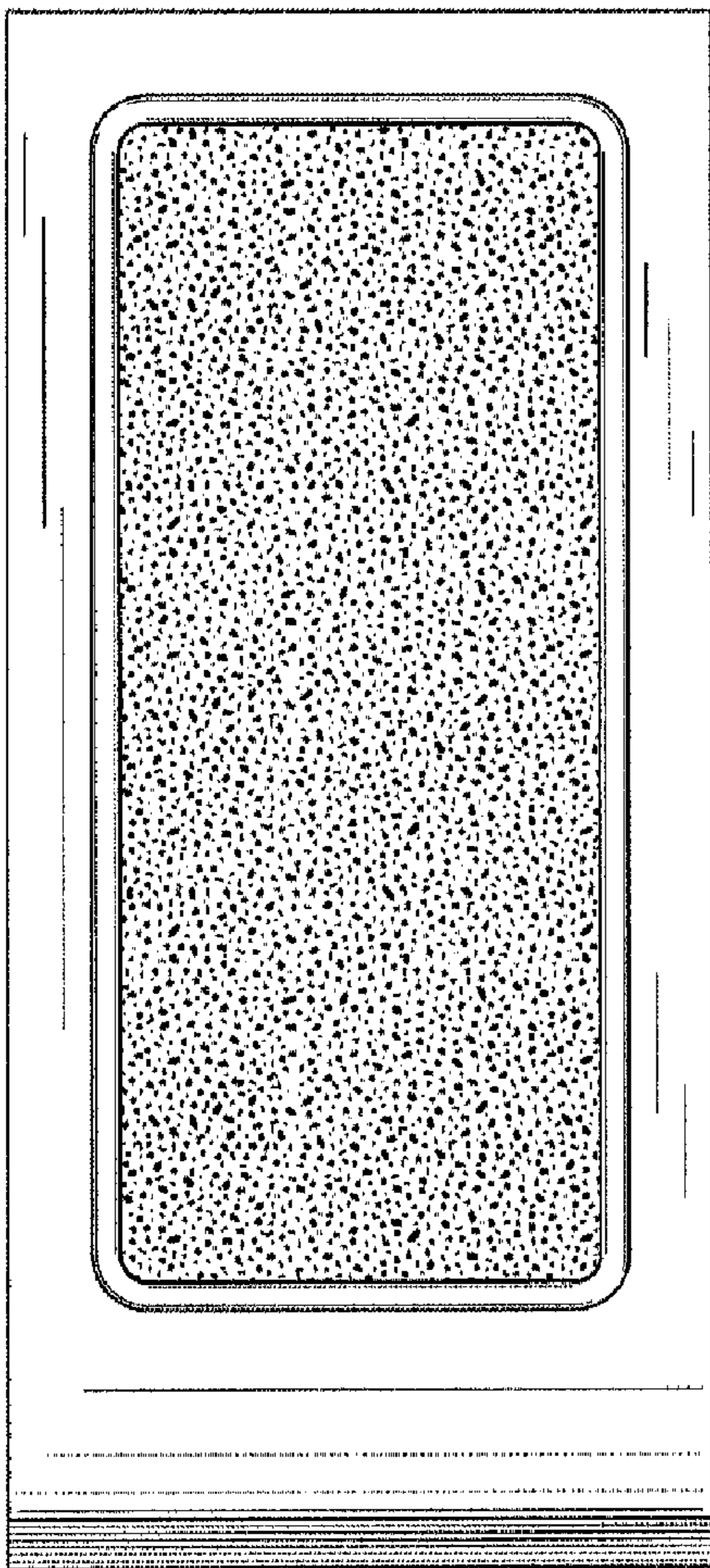


**FIG. 4**

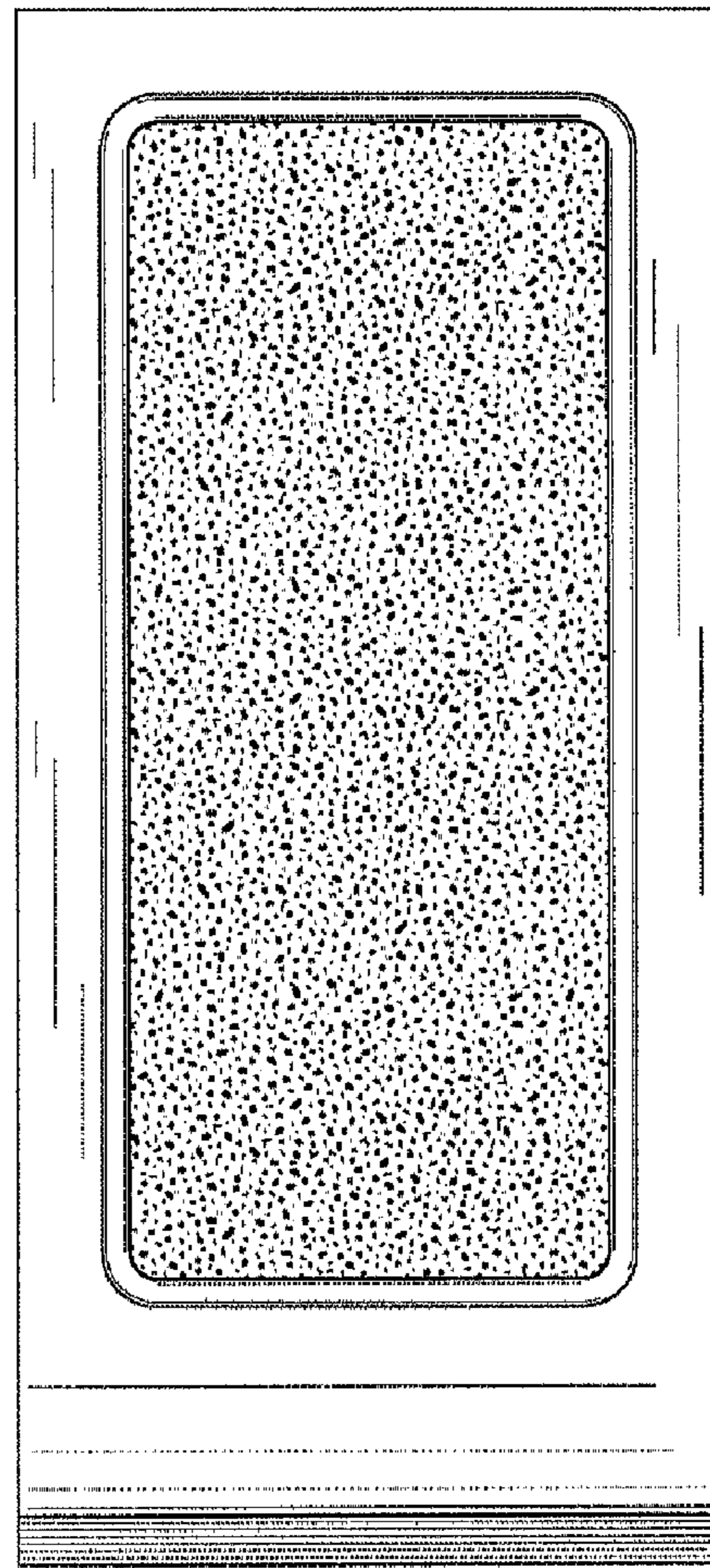


**FIG. 5**





**FIG. 6**



**FIG. 7**