



US00D663490S

(12) **United States Design Patent**
Haaf et al.

(10) **Patent No.:** **US D663,490 S**
(45) **Date of Patent:** **** Jul. 10, 2012**

(54) **CAT SCRATCHER**

(75) Inventors: **David Haaf**, San Rafael, CA (US); **Sara Paculdo**, San Francisco, CA (US)

(73) Assignee: **Worldwise, Inc.**, San Rafael, CA (US)

(**) Term: **14 Years**

(21) Appl. No.: **29/414,992**

(22) Filed: **Mar. 6, 2012**

(51) **LOC (9) Cl.** **30-99**

(52) **U.S. Cl.** **D30/160**

(58) **Field of Classification Search** D30/118-119,
D30/158, 160; D6/349; 119/28.5, 702, 706
See application file for complete search history.

(56) **References Cited**

U.S. PATENT DOCUMENTS

| | | | | |
|---------------|---------|----------------|-------|---------|
| D29,311 S * | 9/1898 | Murray | | D18/56 |
| D198,619 S * | 7/1964 | Heintz | | D1/199 |
| 3,441,001 A * | 4/1969 | Fisher | | 119/709 |
| D406,473 S * | 3/1999 | Lin et al. | | D6/361 |
| D524,067 S * | 7/2006 | Spear | | D6/349 |
| D530,933 S * | 10/2006 | Vitaro | | D6/361 |
| D563,468 S * | 3/2008 | Mattson et al. | | D8/318 |
| D627,113 S * | 11/2010 | Seliskar | | D30/160 |

| | | | | |
|--------------|---------|-----------------|-------|---------|
| D627,523 S * | 11/2010 | Bise | | D30/160 |
| D627,525 S * | 11/2010 | Seliskar | | D30/160 |
| D644,795 S * | 9/2011 | Haaf | | D30/160 |
| D646,309 S * | 10/2011 | Kilgren | | D15/126 |
| D651,371 S * | 12/2011 | Seliskar et al. | | D30/160 |
| D652,179 S * | 1/2012 | Haaf | | D30/160 |
| D655,464 S * | 3/2012 | Seliskar et al. | | D30/160 |

* cited by examiner

Primary Examiner — Cathy A MacCormac

(74) *Attorney, Agent, or Firm* — Bay Area Technology Law Group PC

(57) **CLAIM**

The ornamental design for a cat scratcher, as shown and described.

DESCRIPTION

FIG. 1 is a perspective view of a cat scratcher showing our new design;

FIG. 2 is a top plan view of FIG. 1;

FIG. 3 is a bottom plan view of FIG. 1;

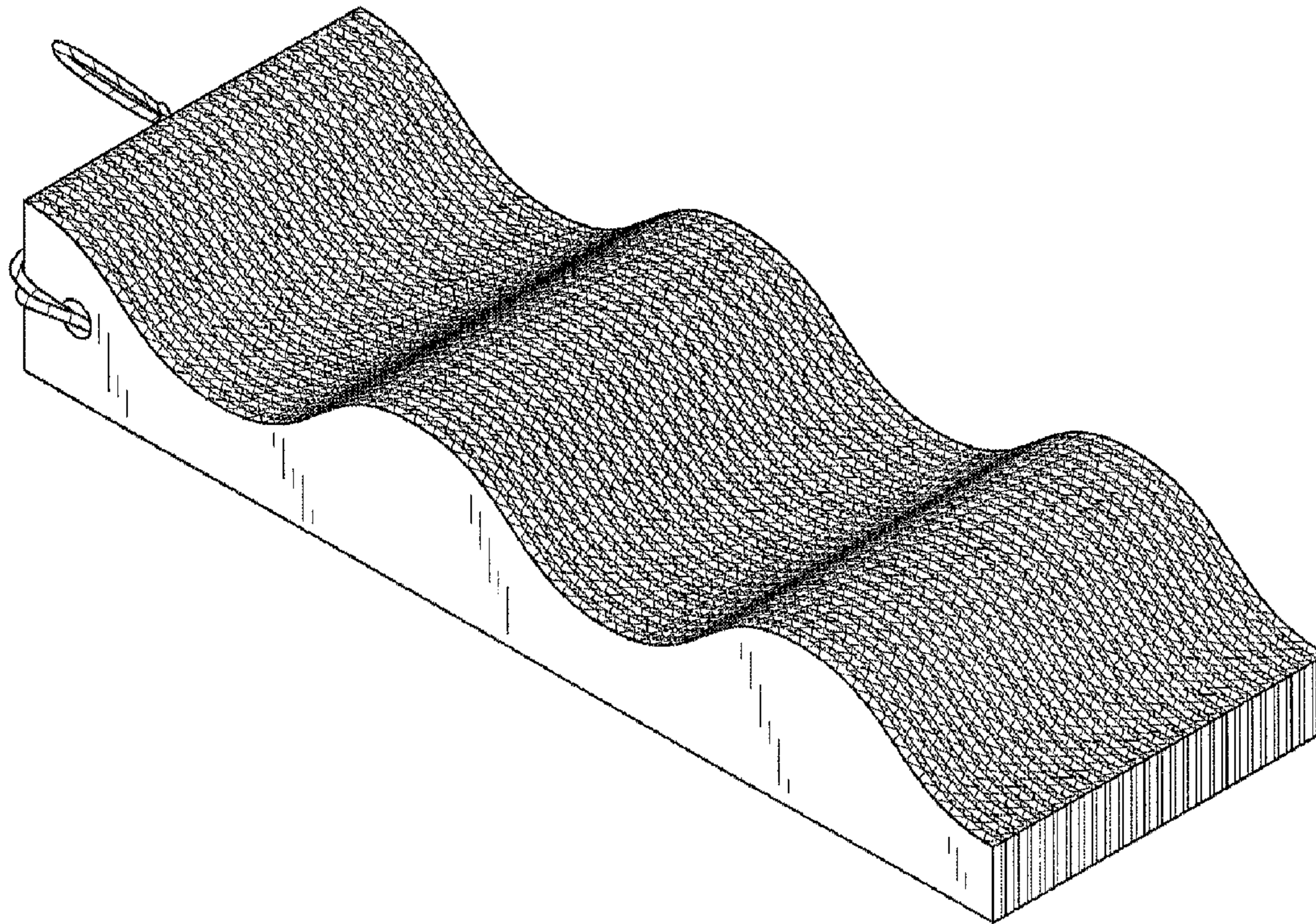
FIG. 4 is a left side view of FIG. 1;

FIG. 5 is a right side view of FIG. 1;

FIG. 6 is a front view of FIG. 1; and,

FIG. 7 is a rear view of FIG. 1.

1 Claim, 3 Drawing Sheets



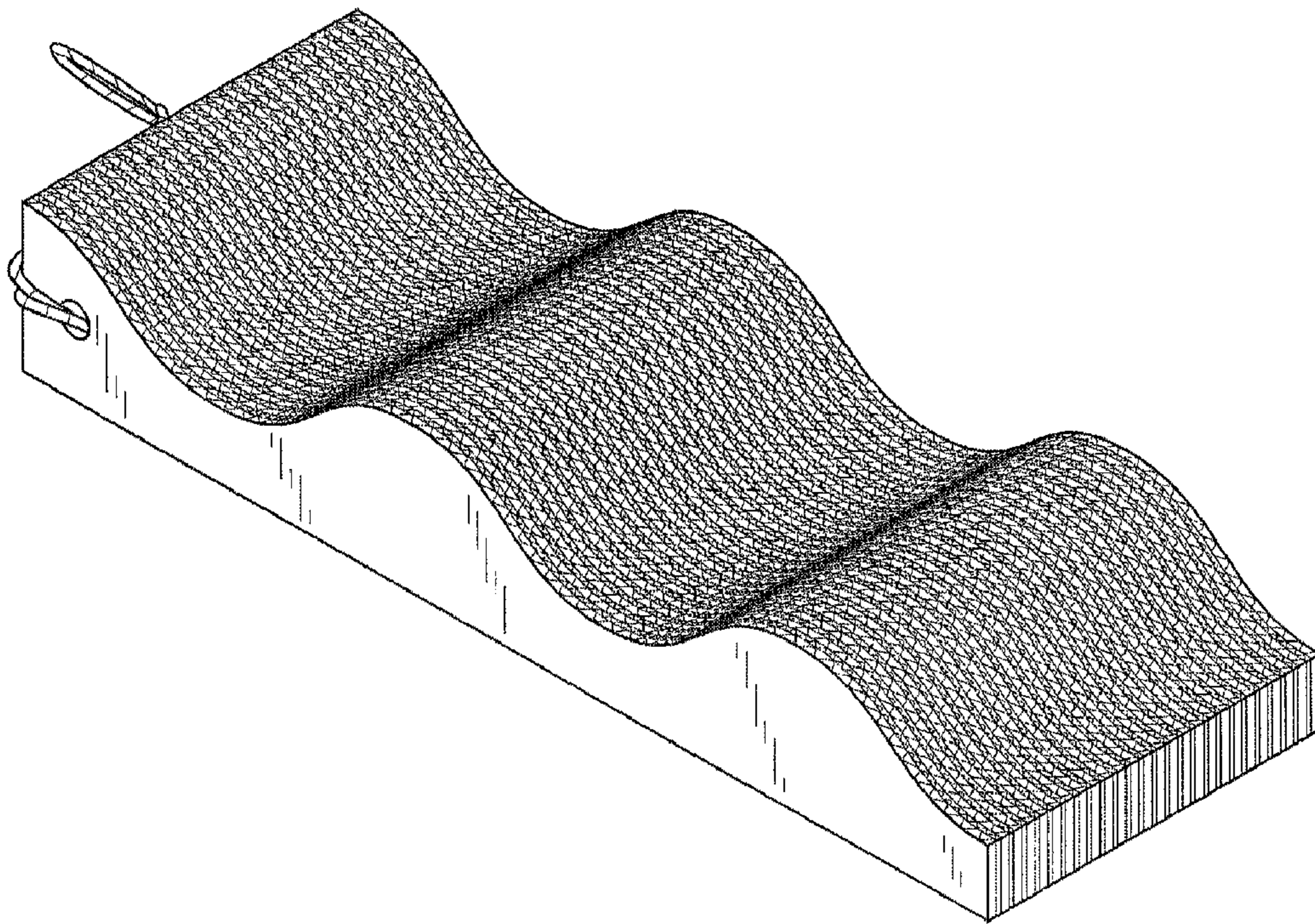


FIG. 1

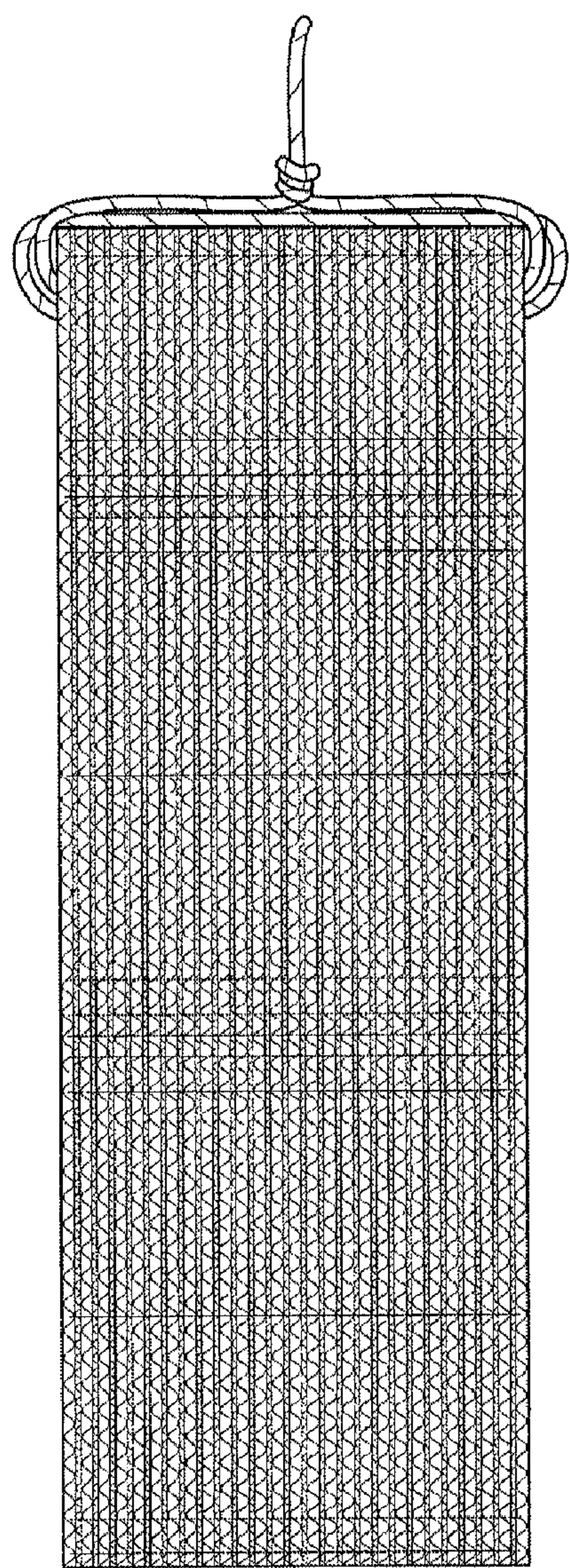


FIG. 2

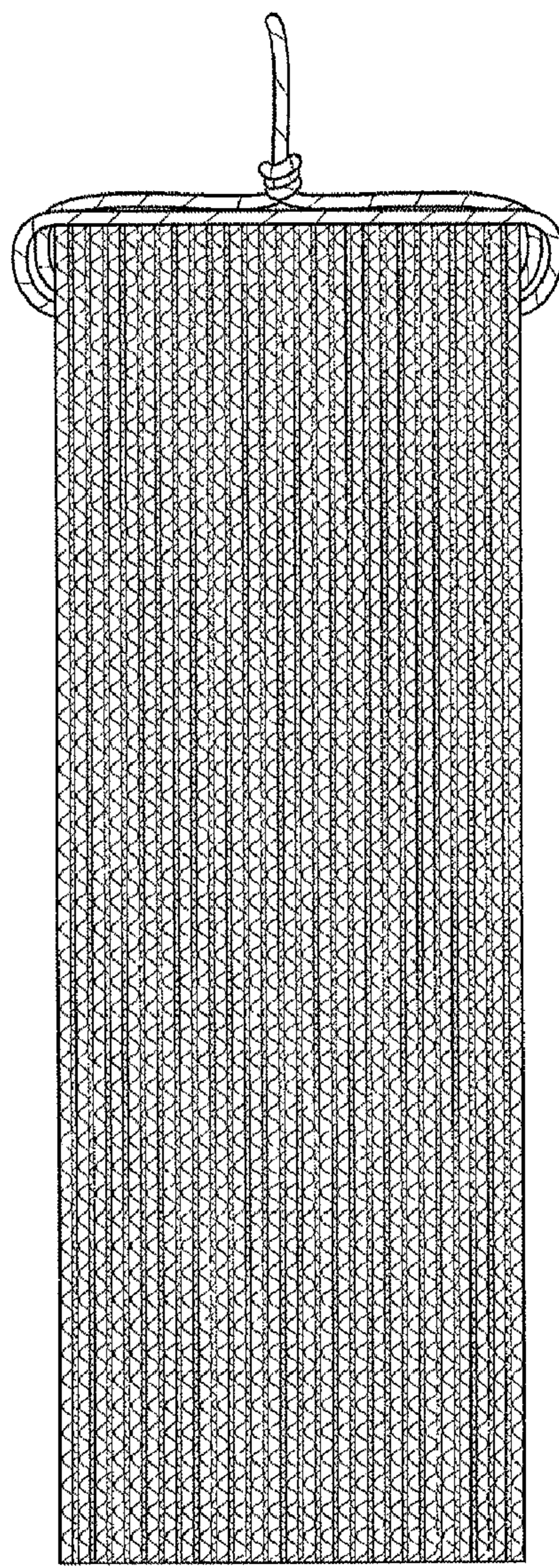


FIG. 3

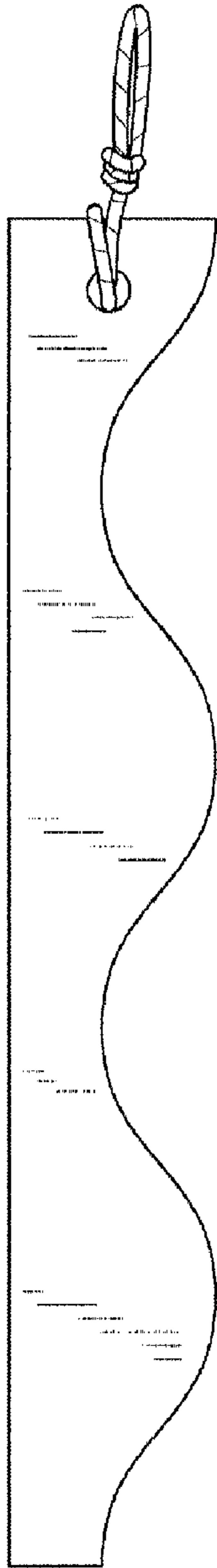


FIG. 4

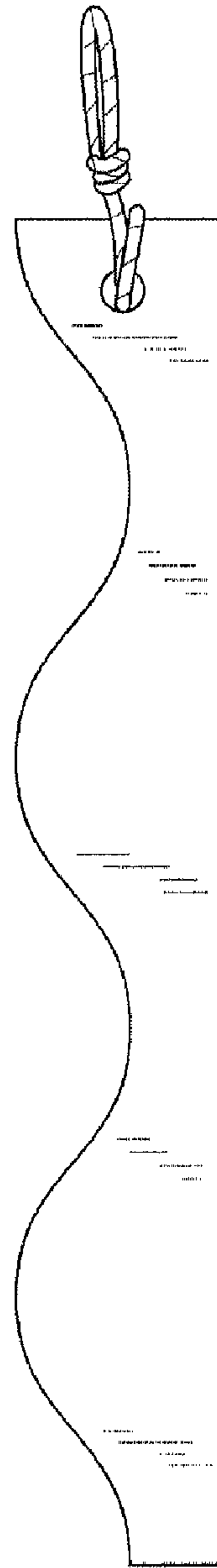


FIG. 5

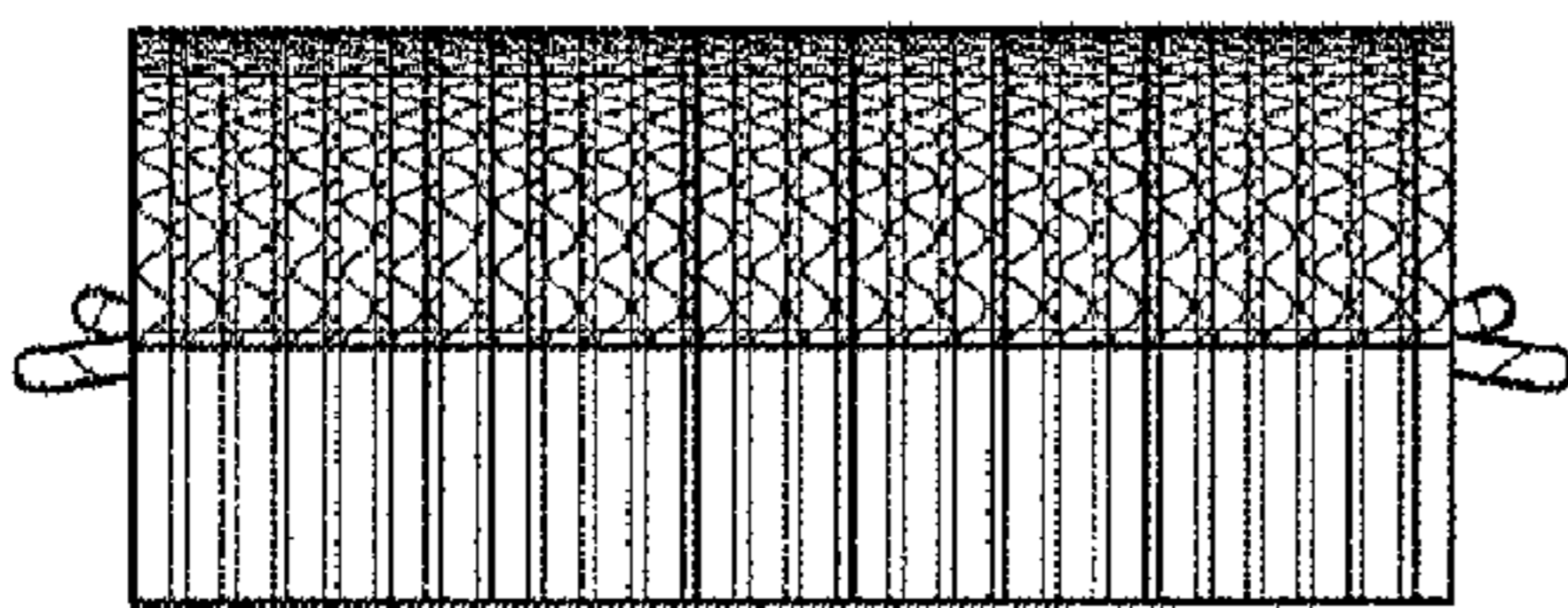


FIG. 6

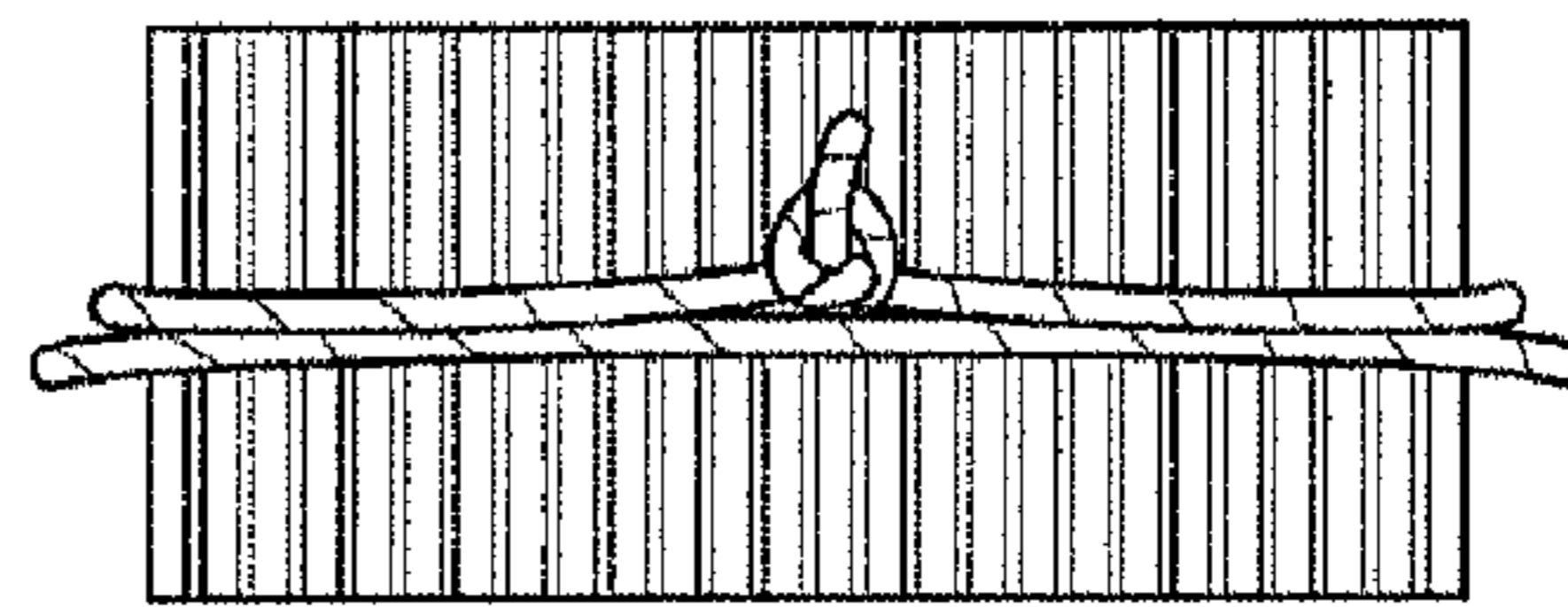


FIG. 7