



US00D663488S

(12) **United States Design Patent**
von der Assen

(10) **Patent No.:** **US D663,488 S**

(45) **Date of Patent:** **** Jul. 10, 2012**

(54) **PIPELINE**

(75) Inventor: **Markus von der Assen**, Steinfeld (DE)

(73) Assignee: **LUBING Maschinenfabrik Ludwig Bening GmbH & Co. KG**, Barnstorf (DE)

(**) Term: **14 Years**

(21) Appl. No.: **29/368,851**

(22) Filed: **Aug. 31, 2010**

(30) **Foreign Application Priority Data**

Mar. 10, 2010 (EM) 1 679 564

(51) **LOC (9) Cl.** **30-03**

(52) **U.S. Cl.** **D30/121; D30/132; D30/131**

(58) **Field of Classification Search** D30/133, D30/121, 122, 124, 127, 128, 132; 119/72.5, 119/72, 51.01, 61, 51.04, 53, 57.91, 54, 53.5, 119/52.4, 51.11, 63, 6, 1.2, 52.1, 57.5, 57.6, 119/51.13, 62, 75, 500, 501; 239/7, 687, 239/379, 397.5; 222/199, 181.1, 181.2, 185.1, 222/557, 156, 485, 486, 548, 555; 220/200, 220/227, 247, 262; 221/174, 185.1, 289, 221/295, 296, 559; 454/35; 209/270, 283, 209/244; 52/194, 192; 49/279, 344, 357; D34/28; 248/74.2; D25/122; D23/266

See application file for complete search history.

(56) **References Cited**

U.S. PATENT DOCUMENTS

315,958 A * 4/1885 Overman et al. 52/461
800,055 A * 9/1905 Ayres 138/163
1,382,607 A * 6/1921 Rathbone et al. 428/593

1,918,566 A * 7/1933 Sadleir 119/72.5
D91,692 S * 3/1934 Stuart D25/122
1,963,242 A * 6/1934 Nelson 432/259
D98,067 S * 1/1936 Hendrickson D25/122
2,347,957 A * 5/1944 McCullough 165/150
3,304,070 A * 2/1967 Jones 432/234
3,342,007 A * 9/1967 Merson 52/842
3,644,962 A * 2/1972 Hachtel 16/96 D
D228,748 S * 10/1973 Littmann D25/122
D237,485 S * 11/1975 Lundberg D25/124
3,983,844 A * 10/1976 Hart 119/75
4,061,354 A * 12/1977 Blum 280/288
D270,667 S * 9/1983 Cascone et al. D25/122
4,566,660 A * 1/1986 Anscher et al. 248/74.2
D291,832 S * 9/1987 Lundstrom D25/122
D292,025 S * 9/1987 Lundstrom D25/122
D292,614 S * 11/1987 Nilsson D25/122
D294,865 S * 3/1988 Meshulam D25/122
D296,242 S * 6/1988 Sperr D25/122

(Continued)

FOREIGN PATENT DOCUMENTS

WO WO 037023 5/2003

Primary Examiner — Susan M Lee

(74) *Attorney, Agent, or Firm* — Laurence P. Colton; Smith Risley Tempel Santos LLC

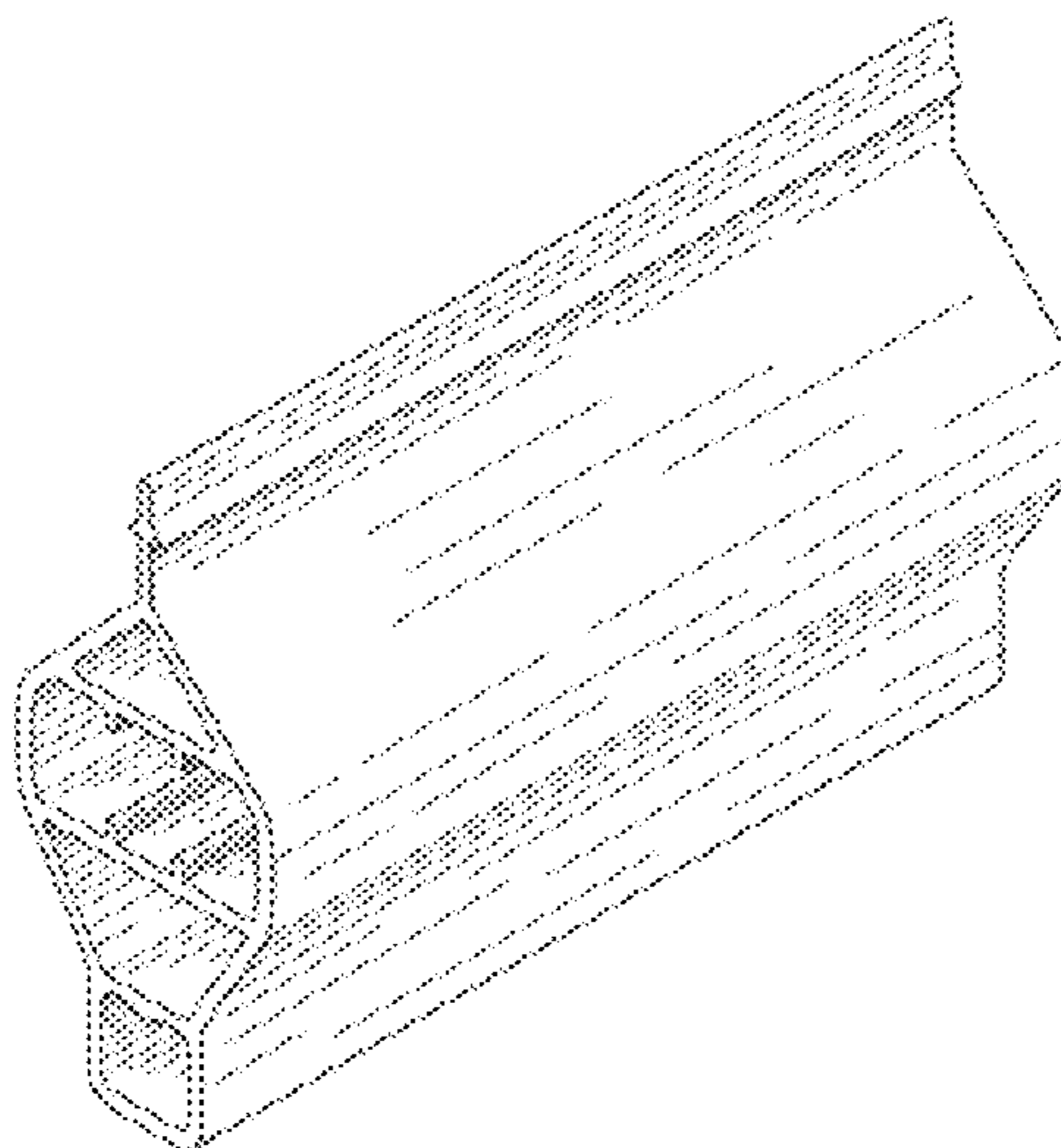
(57) **CLAIM**

The ornamental design for a pipeline, as shown and described.

DESCRIPTION

FIG. 1 is a top view of the pipeline of the present design.
FIG. 2 is a left side view and right side view of the design of FIG. 1.
FIG. 3 is a front view and back view of the design of FIG. 1.
FIG. 4 is a bottom view of the design of FIG. 1; and,
FIG. 5 is a perspective view of the design of FIG. 1.

1 Claim, 2 Drawing Sheets



US D663,488 S

Page 2

U.S. PATENT DOCUMENTS

D300,367	S *	3/1989	Reisinger et al.	D25/122	5,292,013	A *	3/1994	Earl	248/73
D308,251	S *	5/1990	Hardy	D25/124	D348,546	S *	7/1994	Johnson	D30/132
D311,585	S *	10/1990	Westphal et al.	D25/122	D348,939	S *	7/1994	Larsson et al.	D25/122
D311,586	S *	10/1990	Westphal et al.	D25/122	D351,240	S *	10/1994	Cole	D25/122
D311,979	S *	11/1990	Wentzel	D25/122	D361,848	S *	8/1995	Oliver	D25/122
D312,134	S *	11/1990	Westphal et al.	D25/122	D376,209	S *	12/1996	DiGiorgio	D25/122
D312,315	S *	11/1990	Westphal et al.	D25/122	D379,525	S *	5/1997	DiGiorgio	D25/122
4,967,530	A *	11/1990	Clunn	52/506.08	5,857,429	A *	1/1999	Hostetler	119/72.5
D313,656	S *	1/1991	Westphal et al.	D25/124	D420,453	S *	2/2000	Hersh et al.	D25/122
D316,453	S *	4/1991	Westphal et al.	D25/122	D424,214	S *	5/2000	Siudzinski	D25/122
D317,051	S *	5/1991	Pavone et al.	D25/122	D424,215	S *	5/2000	Eyring et al.	D25/122
D318,130	S *	7/1991	Abbestam et al.	D25/122	D424,710	S *	5/2000	Hersh et al.	D25/122
5,097,798	A *	3/1992	Little	119/72	D471,646	S *	3/2003	Westphal et al.	D25/122
D325,984	S *	5/1992	Valentin	D25/122	6,938,578	B2 *	9/2005	Schumacher	119/75
5,136,982	A *	8/1992	Stuedler, Jr.	119/72	D570,500	S *	6/2008	Siemens	D25/122
D332,316	S *	1/1993	Sherbourne et al.	D25/122	D584,545	S *	1/2009	Karashima et al.	D6/495
D334,069	S *	3/1993	Cole	D25/122	D621,962	S *	8/2010	Deleu	D25/122
D334,628	S *	4/1993	Cole	D25/124	D641,500	S *	7/2011	Lehane et al.	D25/122
5,230,302	A *	7/1993	Stuedler, Jr.	119/72	D641,501	S *	7/2011	Lehane et al.	D25/122
D338,968	S *	8/1993	Moss et al.	D25/122	8,069,818	B2 *	12/2011	Von der Assen et al.	119/74
D339,737	S *	9/1993	Hostetler	D8/380	2004/0141874	A1 *	7/2004	Mullinax	422/4
5,245,950	A *	9/1993	Johnson	119/72	2006/0005776	A1 *	1/2006	Williams	119/72.5
D345,220	S *	3/1994	Johnson	D25/122	2007/0215056	A1 *	9/2007	Kreger et al.	119/72.5

* cited by examiner

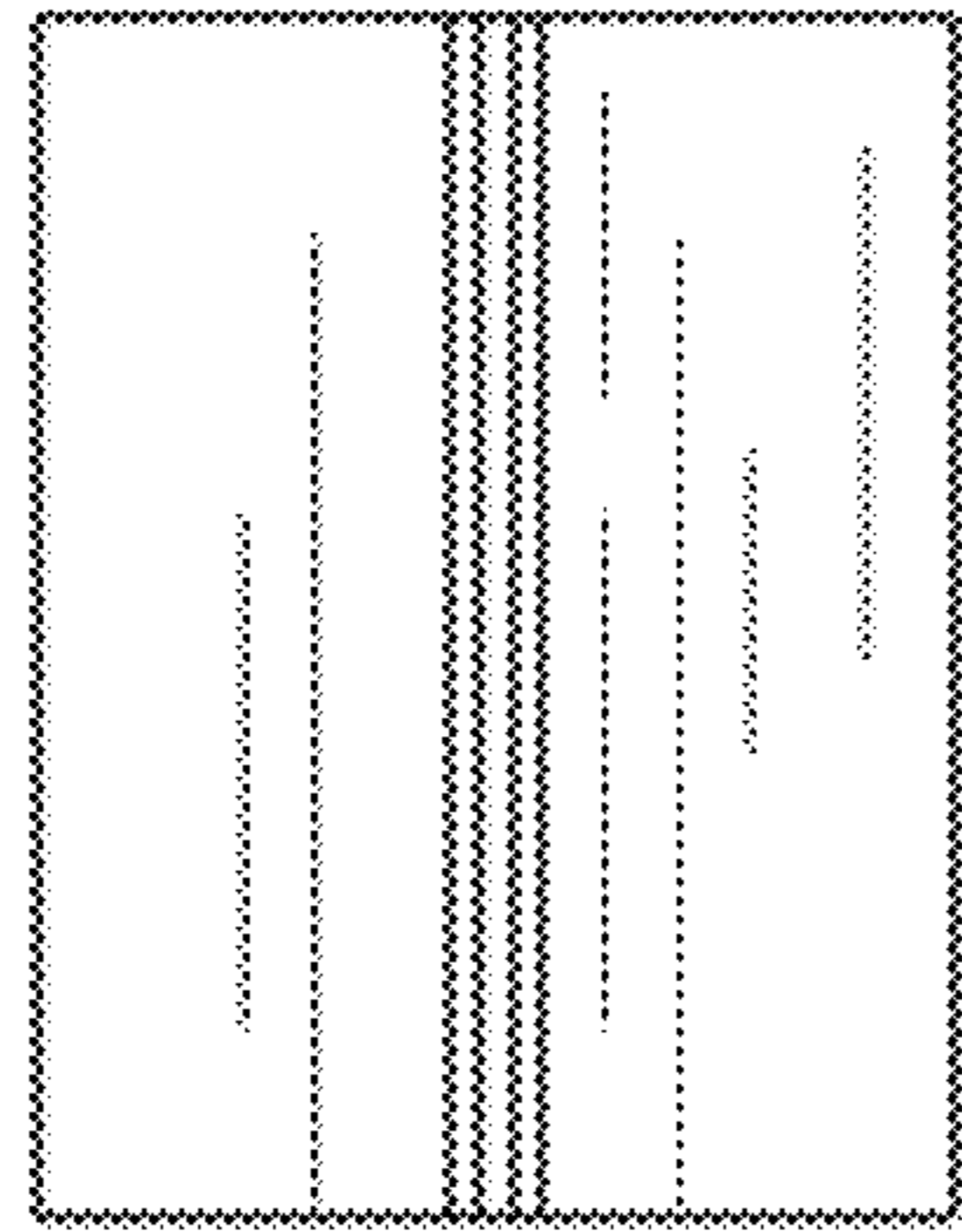


Fig. 1

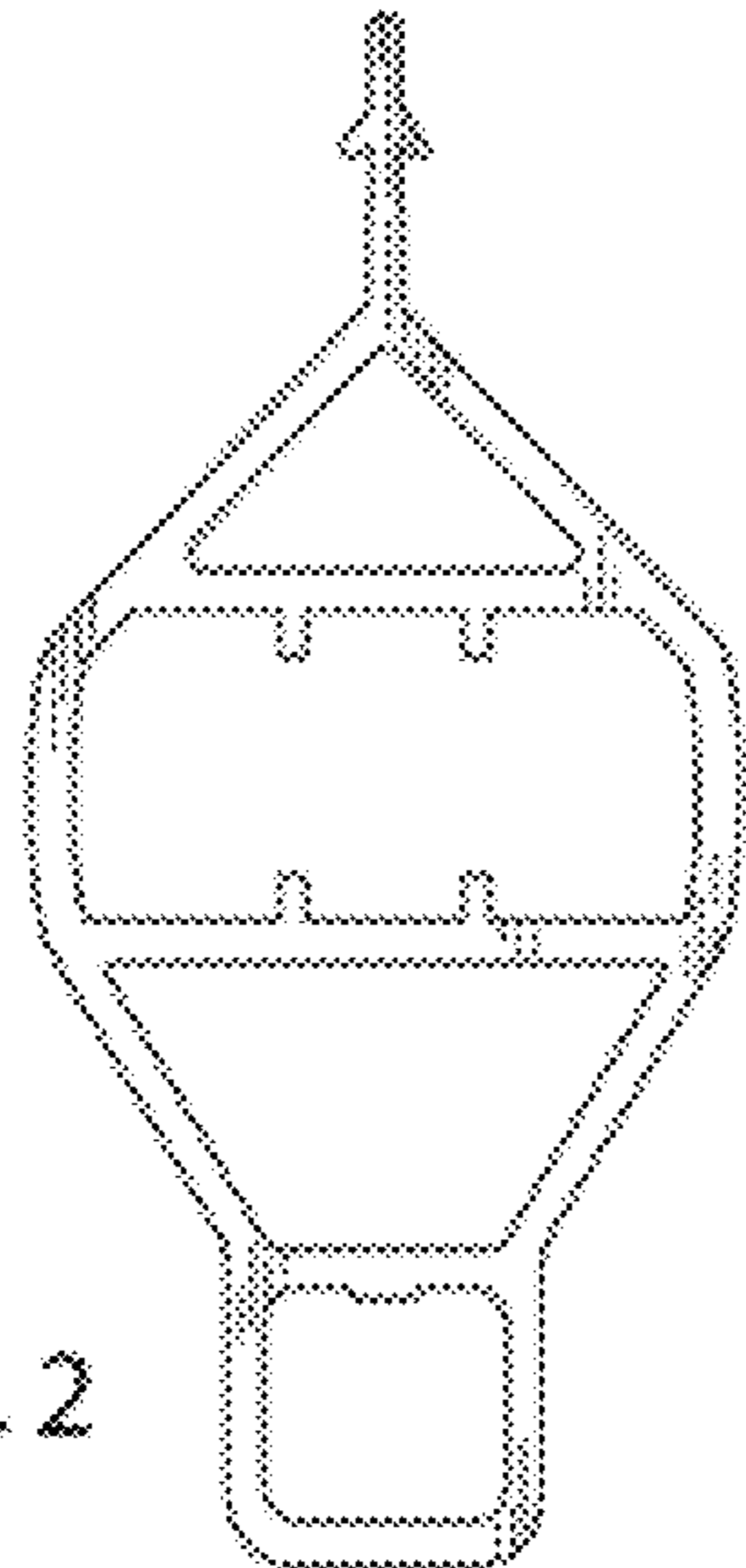


Fig. 2

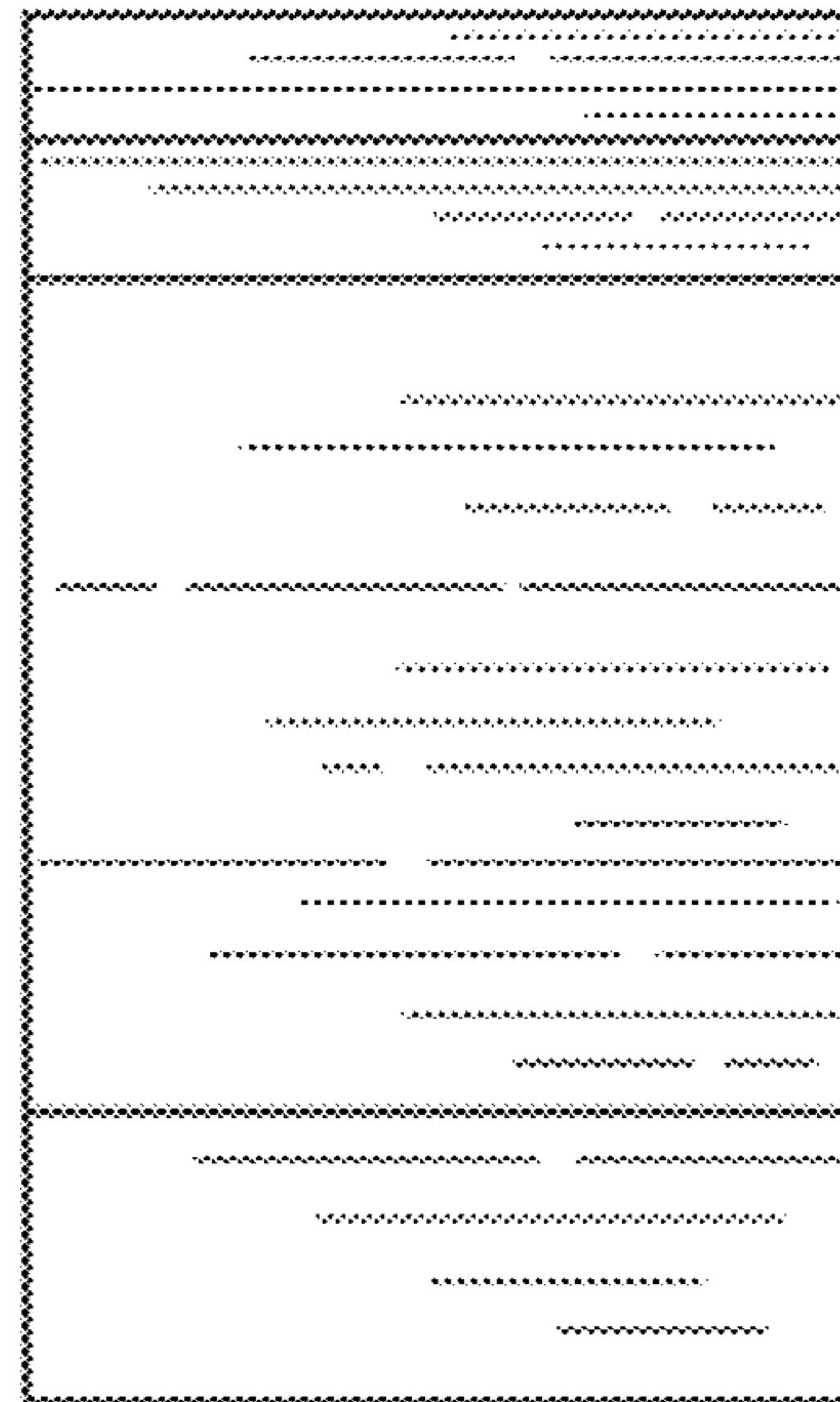


Fig. 3

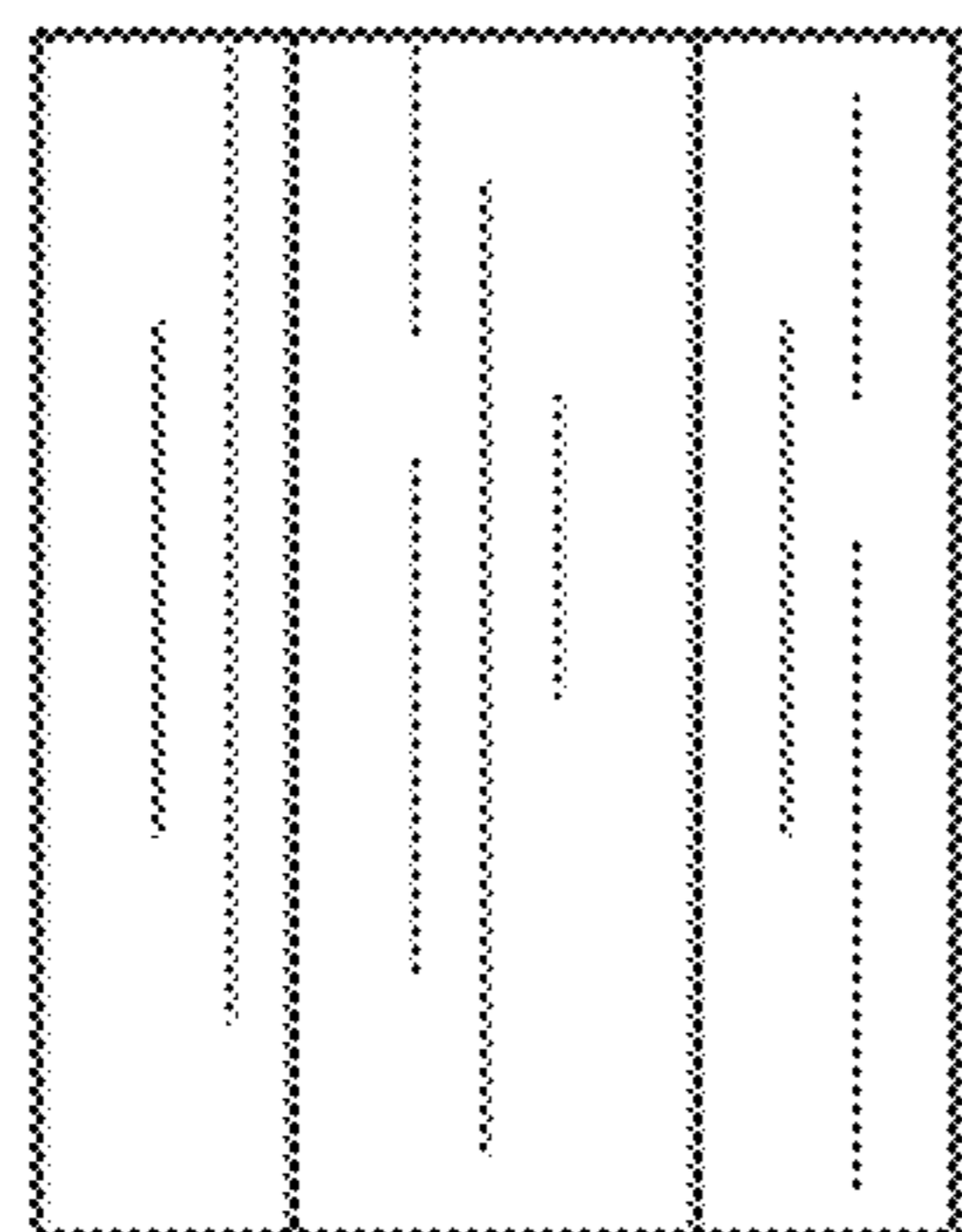


Fig. 4

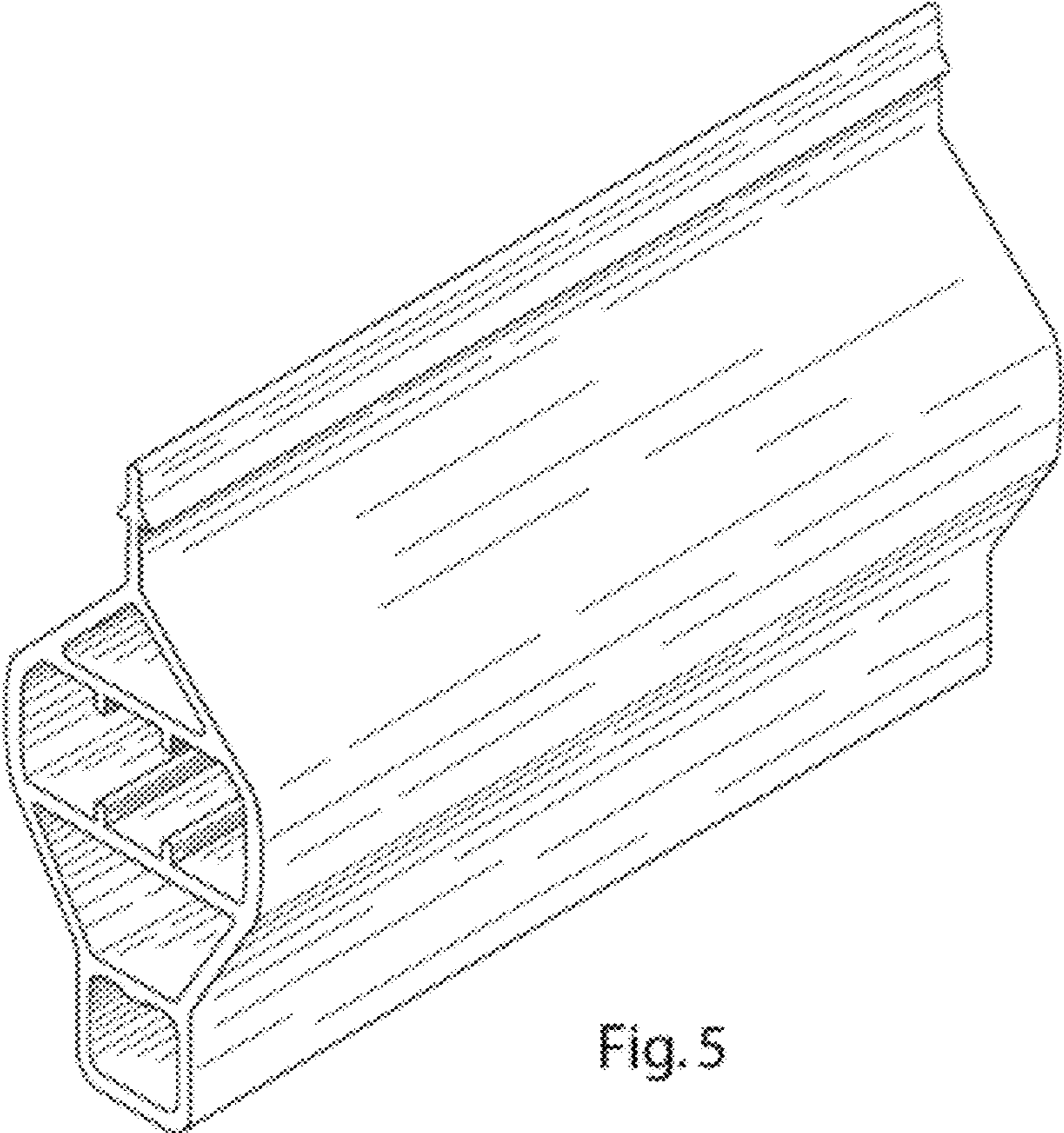


Fig. 5