



US00D663487S

(12) **United States Design Patent**  
**Nakagawa et al.**

(10) **Patent No.:** **US D663,487 S**  
(45) **Date of Patent:** **\*\* Jul. 10, 2012**

(54) **GAS-LIQUID MIXER FOR AN AQUARIUM**

(75) Inventors: **Hikaru Nakagawa**, Higashiosaka (JP);  
**Ichiro Sugimoto**, Higashiosaka (JP)

(73) Assignee: **Kabushiki Kaisha Tominaga Jyushi Kogyosho**, Higashiosaka-shi, Osaka (JP)

(\*\*) Term: **14 Years**

(21) Appl. No.: **29/349,564**

(22) Filed: **Apr. 15, 2010**

(30) **Foreign Application Priority Data**

Oct. 15, 2009 (JP) ..... 2009-24178

(51) **LOC (9) Cl.** ..... **30-02**

(52) **U.S. Cl.** ..... **D30/106**

(58) **Field of Classification Search** ..... D30/101-107;  
119/231, 243, 254-255, 259, 261, 268; 210/167.21,  
210/167.26, 167.27, 150, 416.2, 416.3

See application file for complete search history.

(56) **References Cited**

**U.S. PATENT DOCUMENTS**

3,252,575 A \* 5/1966 Jacuzzi ..... 210/416.2  
4,532,037 A \* 7/1985 Willinger ..... 210/167.26  
D292,439 S \* 10/1987 Richter ..... D30/106

5,006,238 A \* 4/1991 Tominaga ..... 210/167.27  
5,266,190 A \* 11/1993 Tominaga ..... 210/167.27  
6,857,392 B1 \* 2/2005 Shyu ..... 210/167.21  
7,214,314 B2 \* 5/2007 Reyniers ..... 210/167.21  
7,241,379 B2 \* 7/2007 Agresta ..... 210/167.27  
7,299,767 B2 \* 11/2007 Tominaga et al. .... 119/421  
7,513,991 B1 \* 4/2009 Willinger ..... 119/259  
7,651,609 B2 \* 1/2010 Huehn ..... 210/167.21  
7,771,592 B2 \* 8/2010 Muhlbauer et al. .... 210/167.27

\* cited by examiner

*Primary Examiner* — Wan Laymon

(74) *Attorney, Agent, or Firm* — Collard & Roe, P.C.

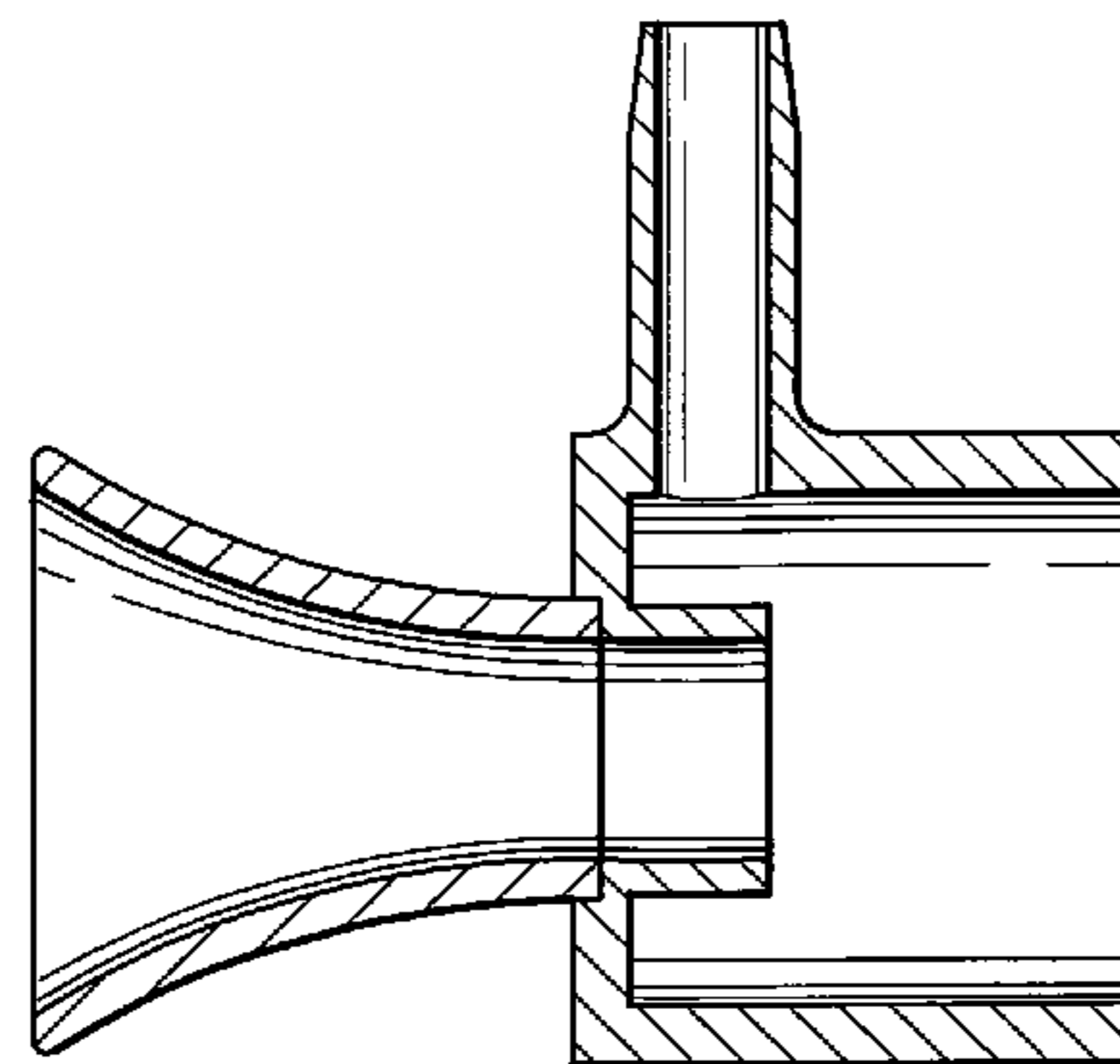
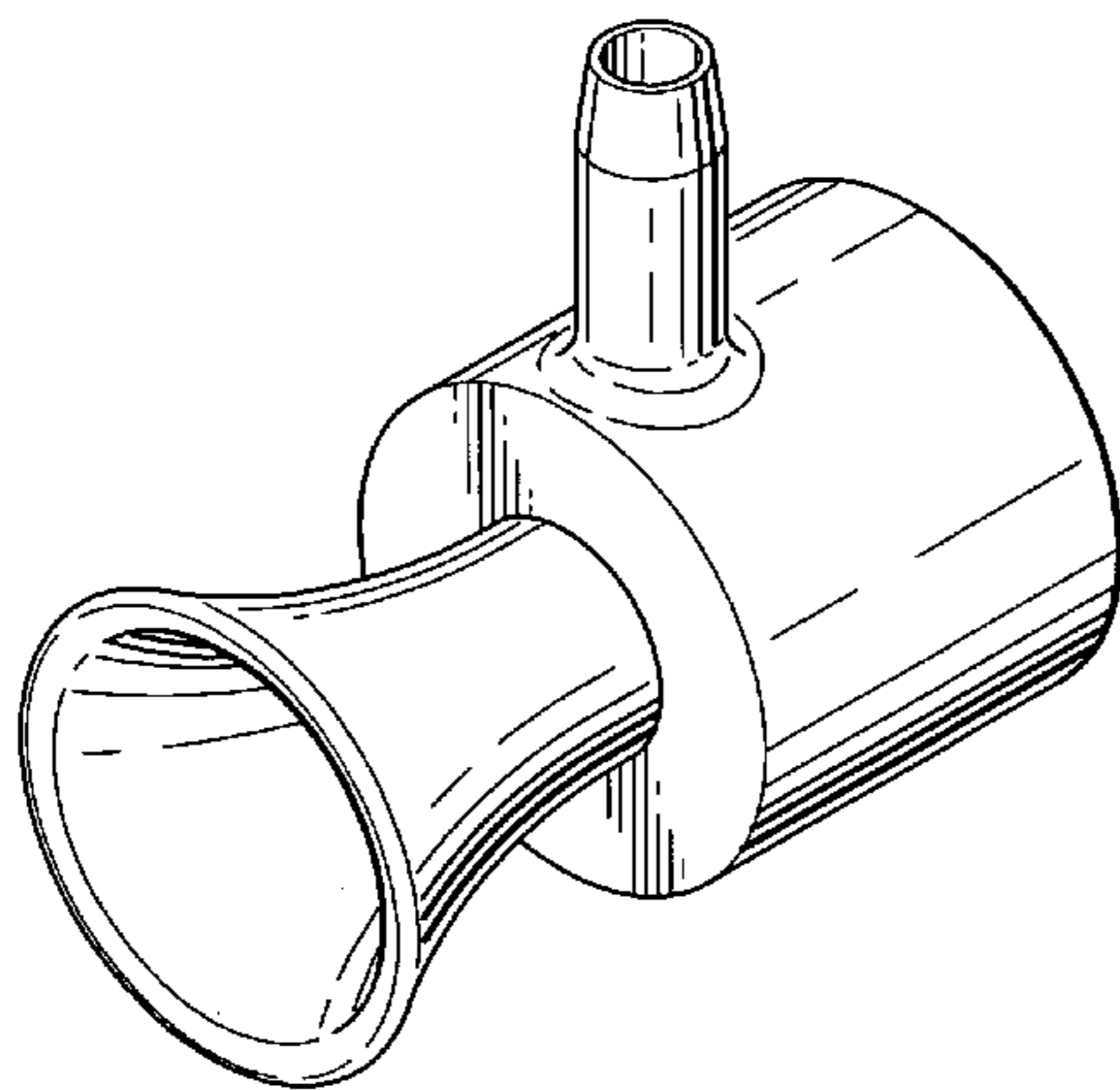
(57) **CLAIM**

The ornamental design for a gas-liquid mixer for an aquarium, as shown and described.

**DESCRIPTION**

FIG. 1 is a left side, top and front perspective view of a gas-liquid mixer for an aquarium, showing our new design; FIG. 2 is a right side, top and front perspective view thereof; FIG. 3 is a front view thereof, with the rear view being a mirror image thereof; FIG. 4 is a left side view thereof; FIG. 5 is a right side view thereof; FIG. 6 is a top view thereof; FIG. 7 is a bottom view thereof; and, FIG. 8 is a cross-sectional view taken along line 8-8 in FIG. 4.

**1 Claim, 4 Drawing Sheets**



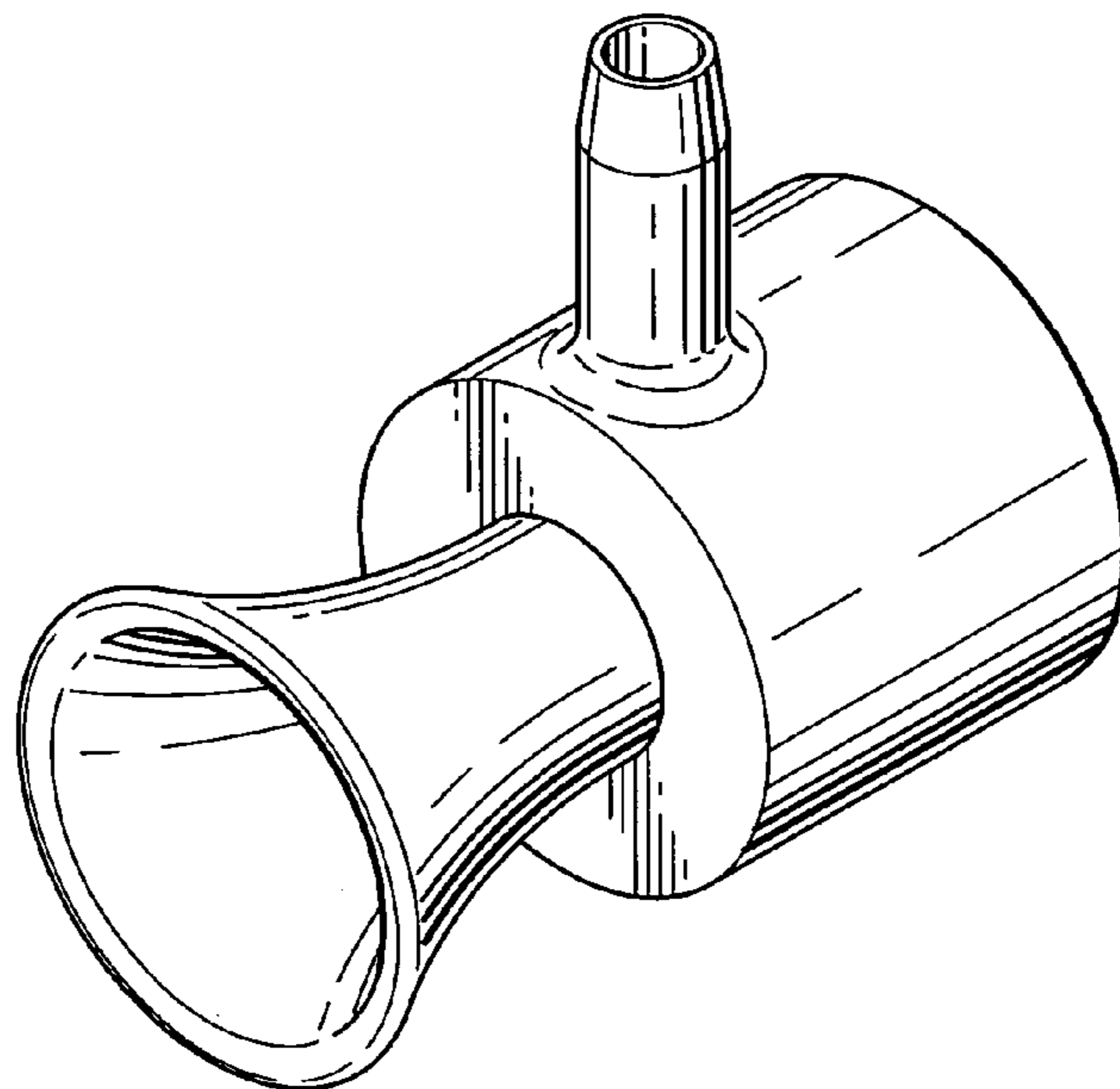


FIG. 1

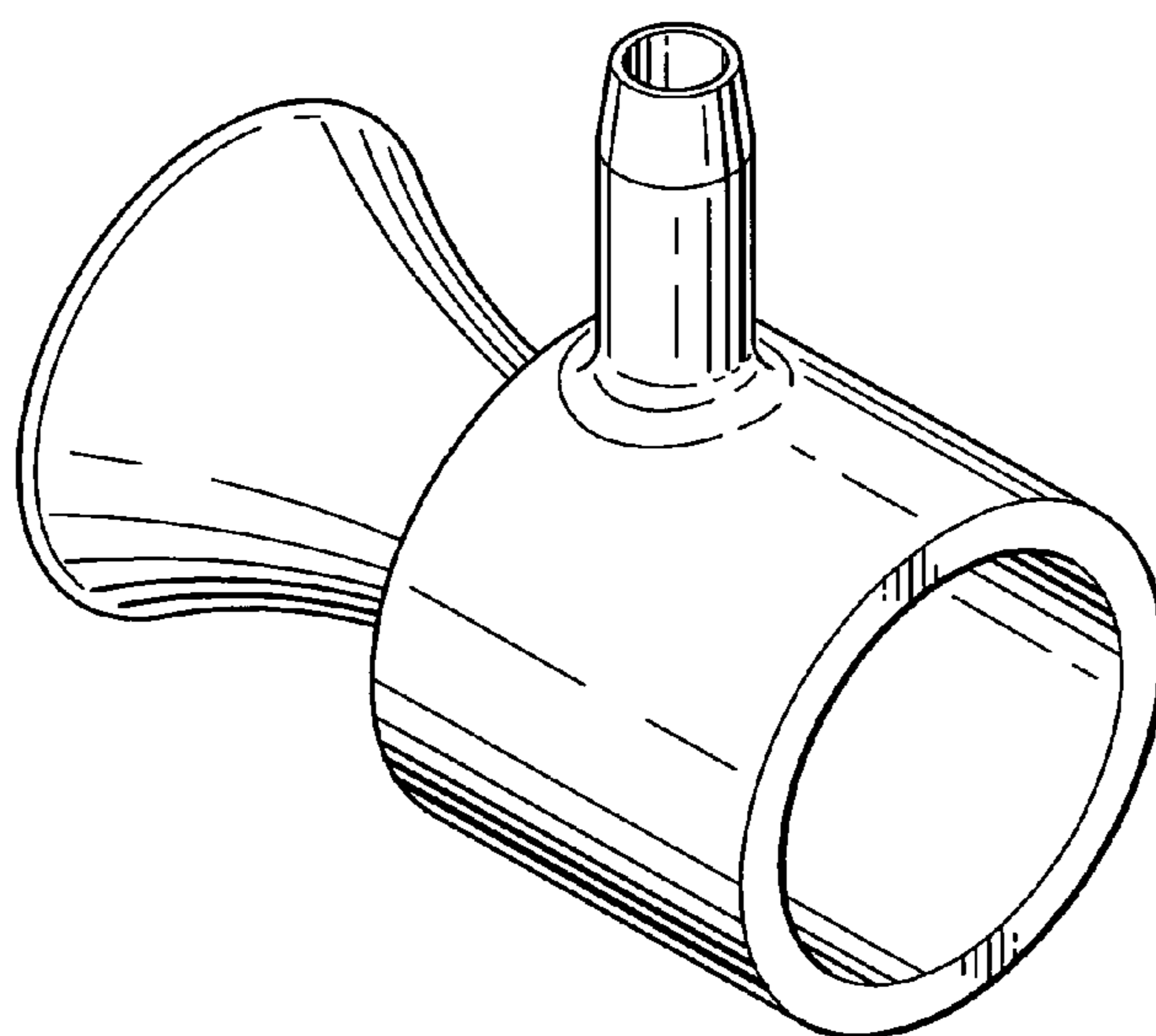


FIG. 2

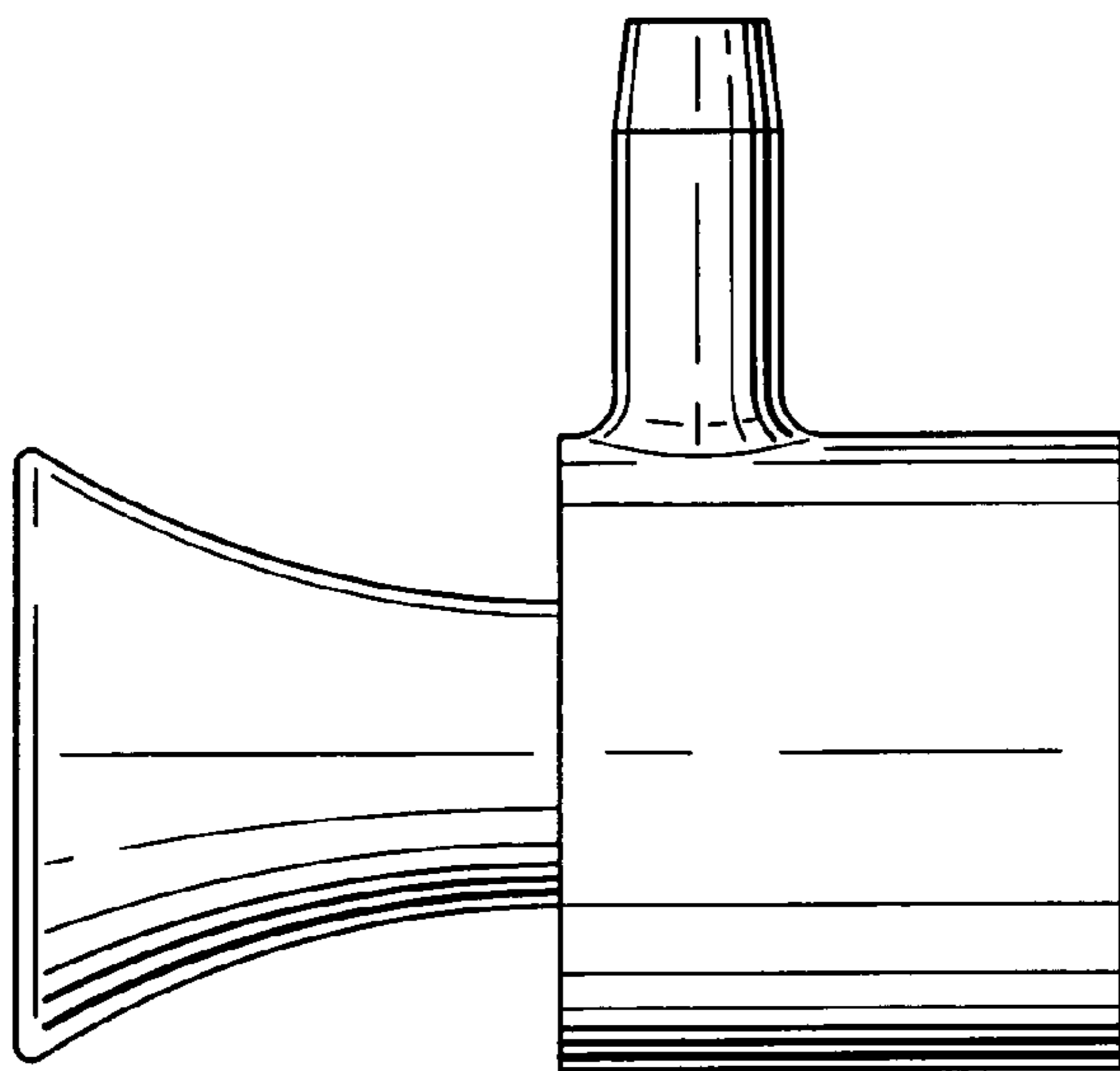


FIG. 3

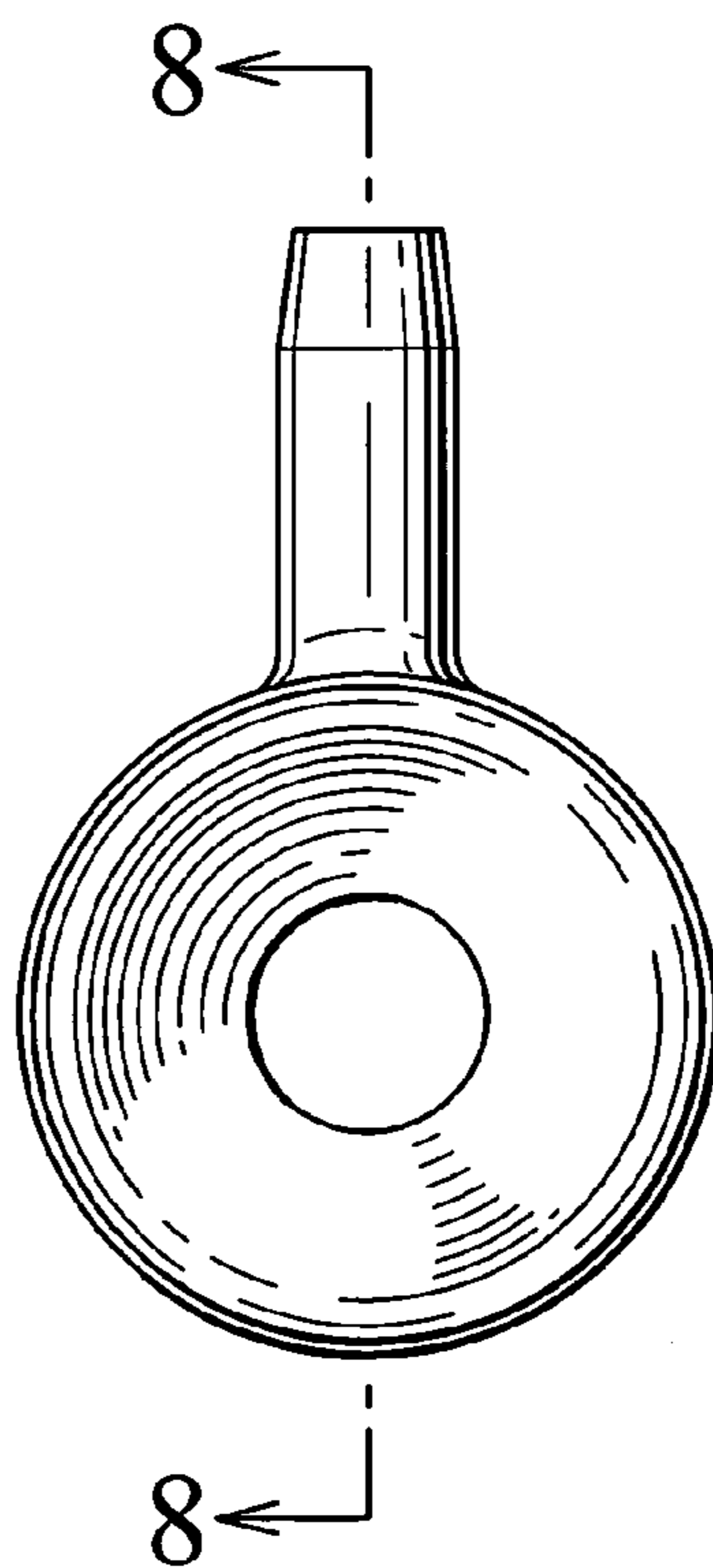


FIG. 4

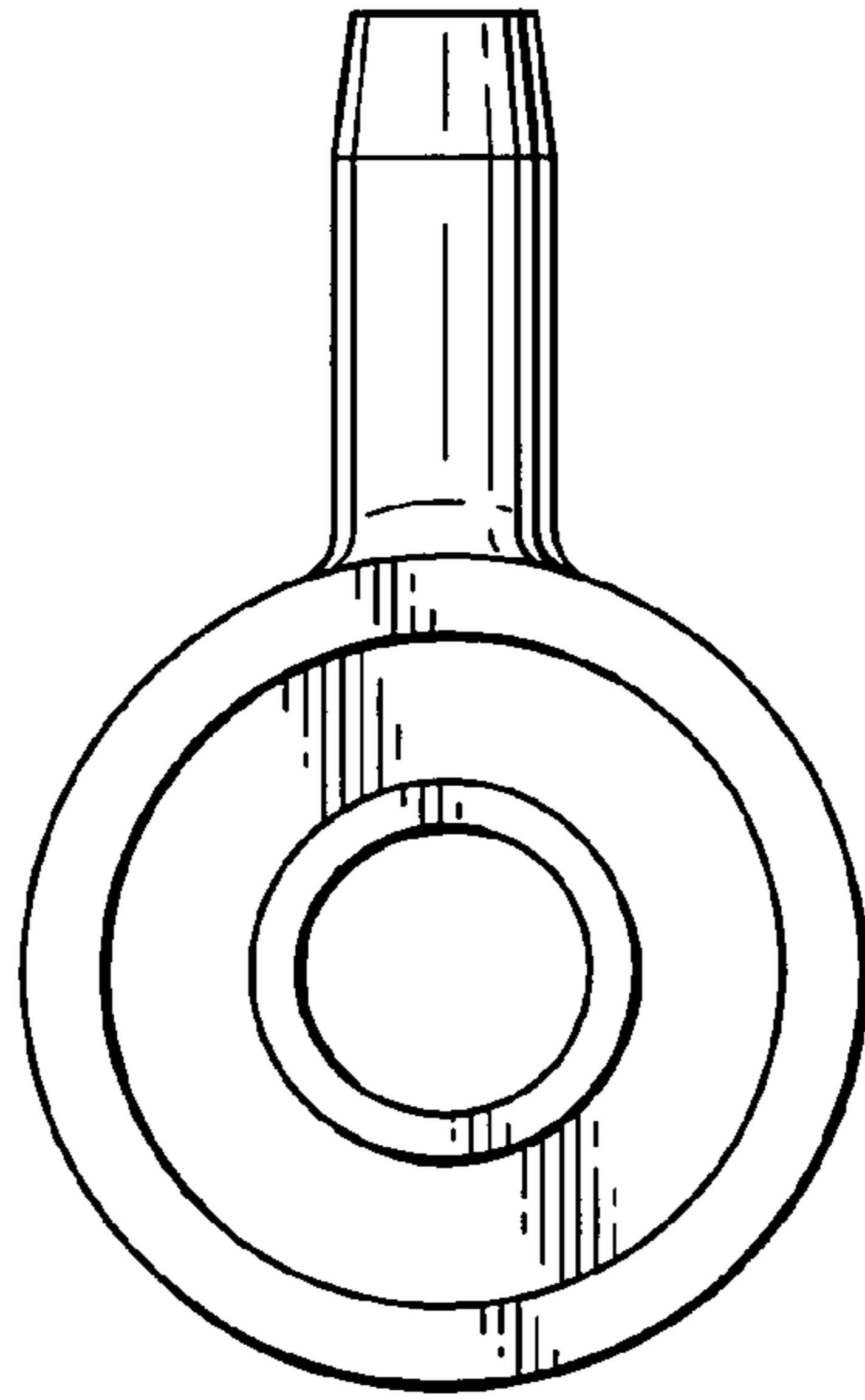


FIG. 5

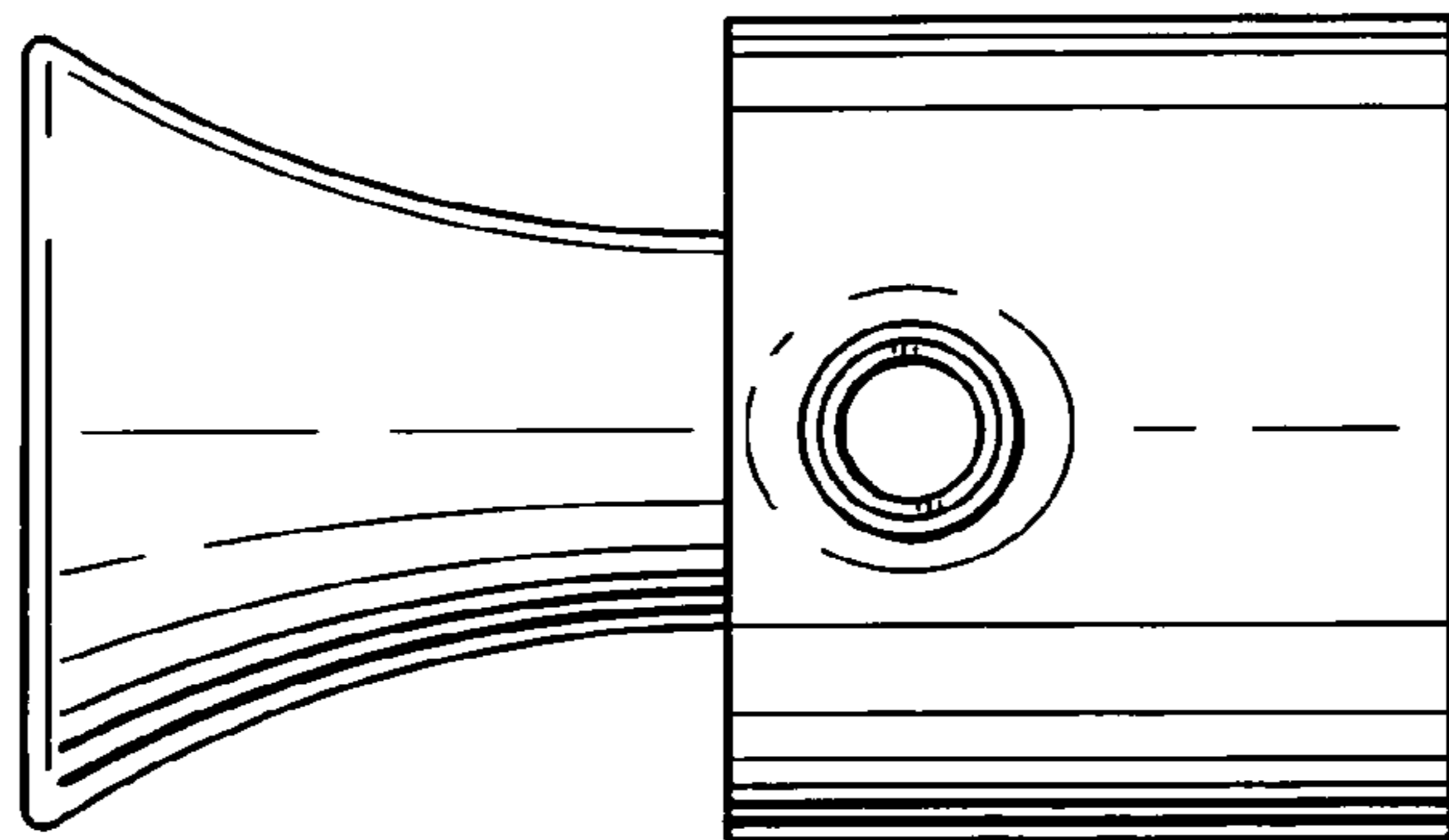


FIG. 6

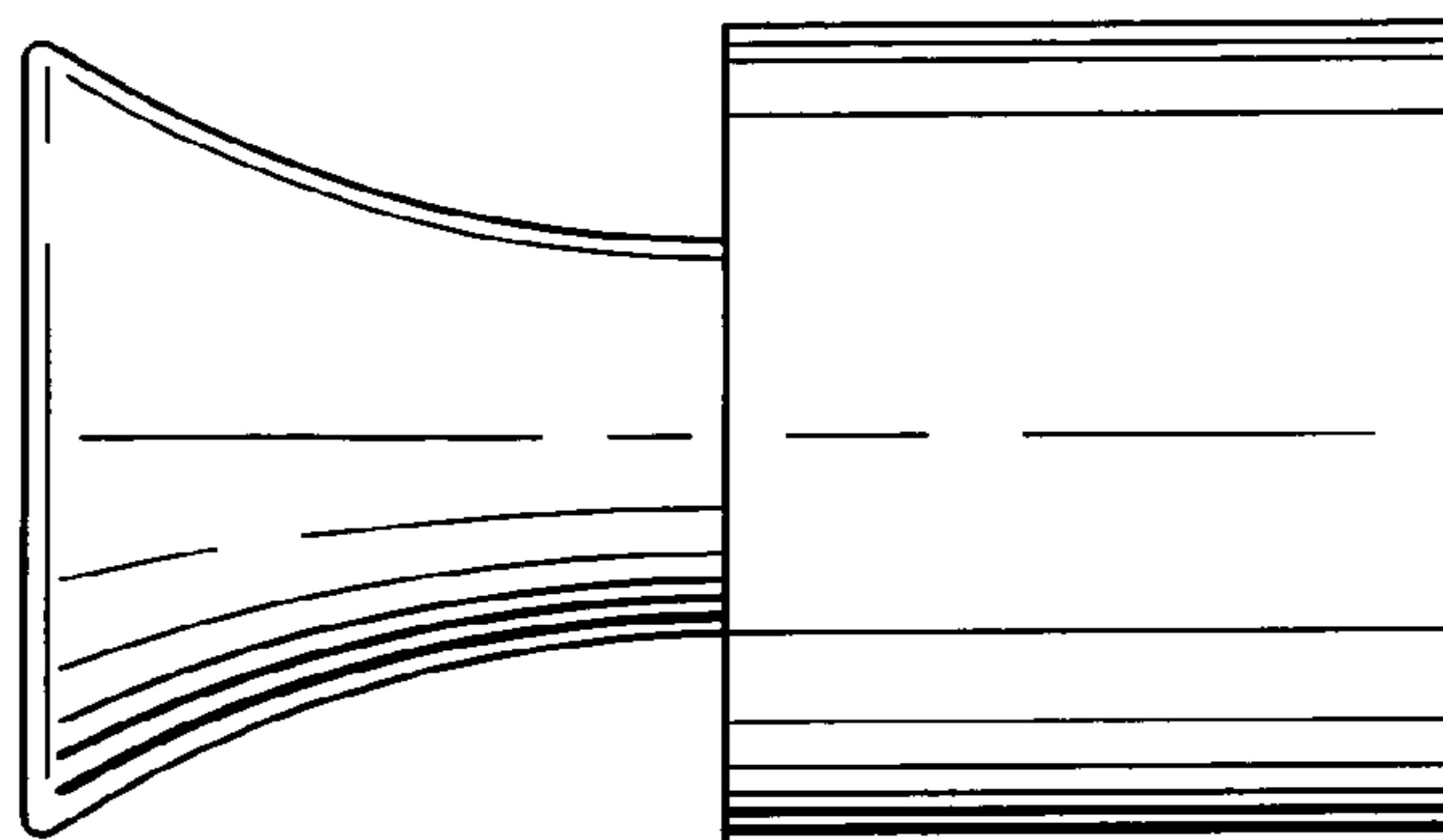


FIG. 7

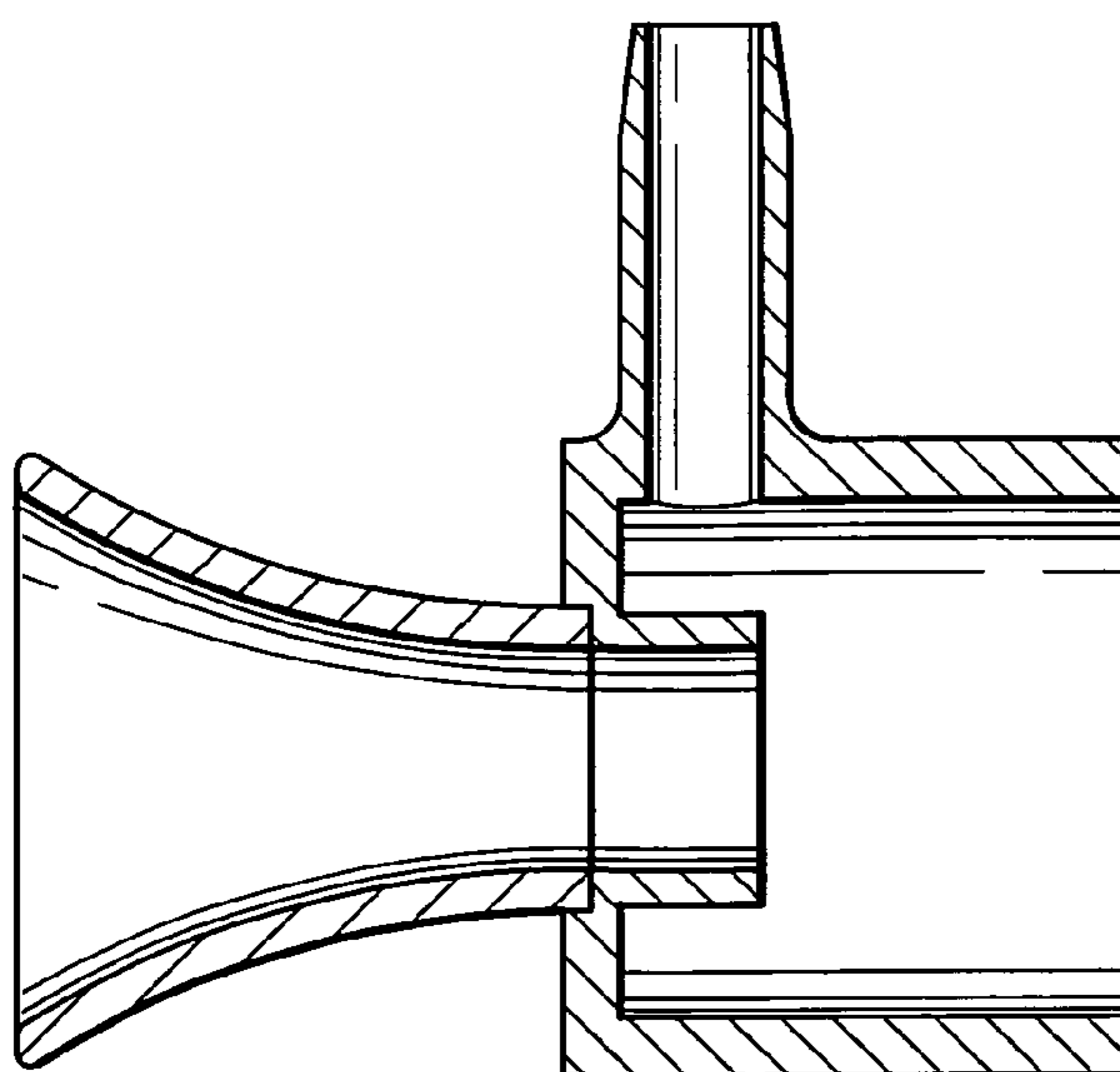


FIG. 8