



US00D663482S

(12) **United States Design Patent**
Mirza

(10) **Patent No.:** **US D663,482 S**
(45) **Date of Patent:** **** Jul. 10, 2012**

(54) **HAIR TOOL HOLDER**

(76) Inventor: **Andrew Jawan Mirza**, Bournemouth
(GB)

(**) Term: **14 Years**

(21) Appl. No.: **29/348,070**

(22) Filed: **Nov. 24, 2009**

(51) **LOC (9) Cl.** **28-03**

(52) **U.S. Cl.** **D28/73**

(58) **Field of Classification Search** D28/60,
D28/62, 55, 56, 57, 58, 73, 75, 76, 77, 78,
D28/81, 44; D3/203.1, 203.5, 301, 299,
D3/300, 206, 205, 293; 206/349, 154; 30/28,
30/29; 132/75.5, 233
See application file for complete search history.

(56) **References Cited**

U.S. PATENT DOCUMENTS

D170,659	S	*	10/1953	Powers	D6/466
3,293,528	A	*	12/1966	Rosen et al.	320/115
D242,953	S	*	1/1977	Bluestein	D28/38
4,103,145	A	*	7/1978	Oliveri	219/222
D258,476	S	*	3/1981	Gilboy et al.	D6/573
D305,944	S	*	2/1990	Mellott	D28/38
4,973,019	A	*	11/1990	Baird et al.	248/314
5,141,189	A	*	8/1992	Andrew	248/154

D329,304	S	*	9/1992	Tipp	D28/38
D332,670	S	*	1/1993	McFarland	D28/38
D372,189	S	*	7/1996	Andis et al.	D8/373
D386,818	S	*	11/1997	Boomfield	D28/38
D435,938	S	*	1/2001	Bushman	D28/73
D594,046	S	*	6/2009	Kita	D15/144

* cited by examiner

Primary Examiner — Kevin Rudzinski

(74) *Attorney, Agent, or Firm* — Edwards Wildman Palmer
LLP; David I. Greenbaum

(57) **CLAIM**

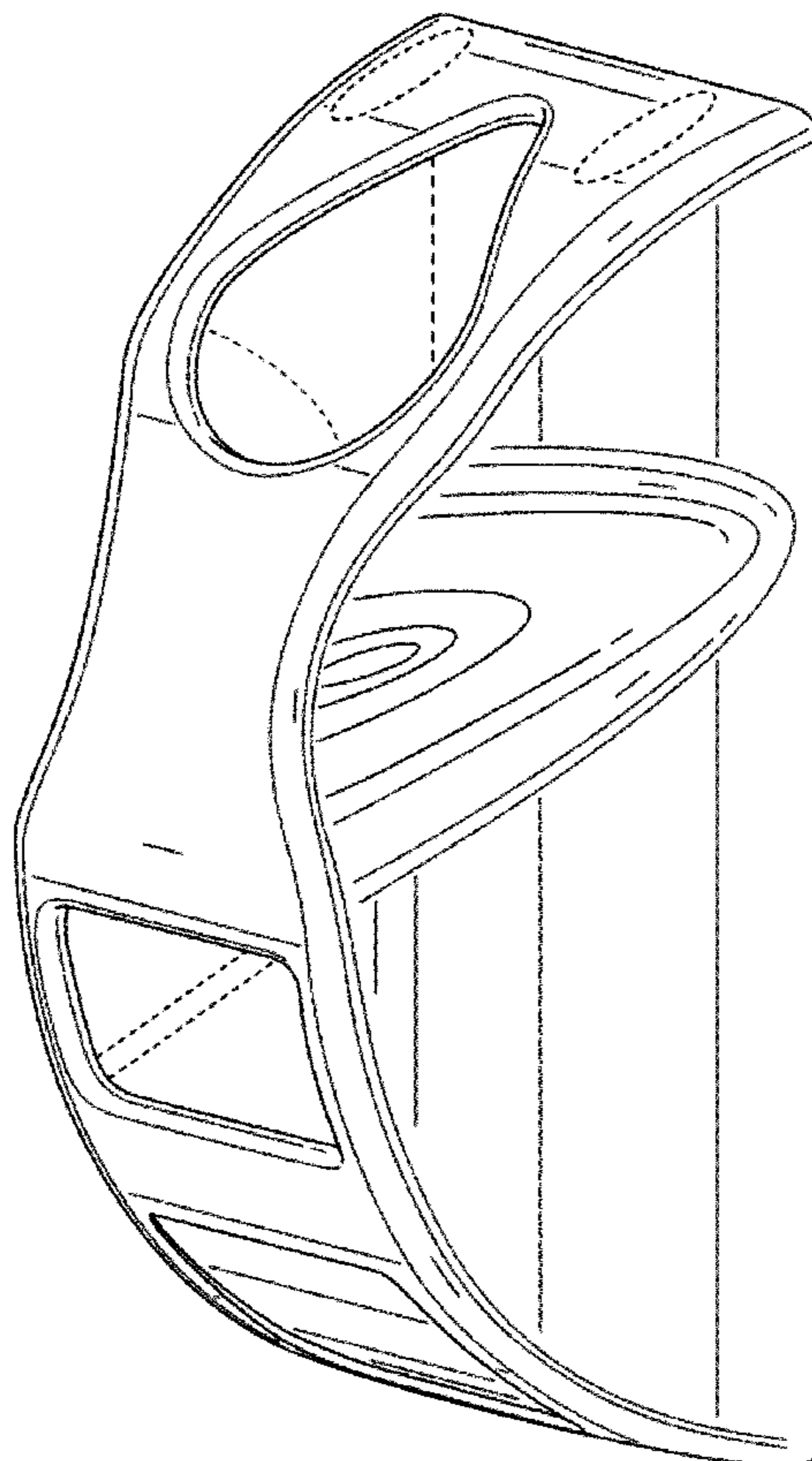
The ornamental design for the hair tool holder, as shown and described.

DESCRIPTION

FIG. 1 is a front perspective view of the hair tool holder;
FIG. 2 is a front elevation view thereof;
FIG. 3 is a back elevation view thereof;
FIG. 4 is a right side elevation view thereof;
FIG. 5 is a left side elevation view thereof;
FIG. 6 is a top plan view thereof; and,
FIG. 7 is a bottom plan view thereof.

The broken lines showing the interior surface and openings in FIGS. 1, 2 and 6 and the back cover in FIG. 3, are for illustrative purpose only used to illustrate portions of the hair tool holder that form no part of the claimed design.

1 Claim, 7 Drawing Sheets



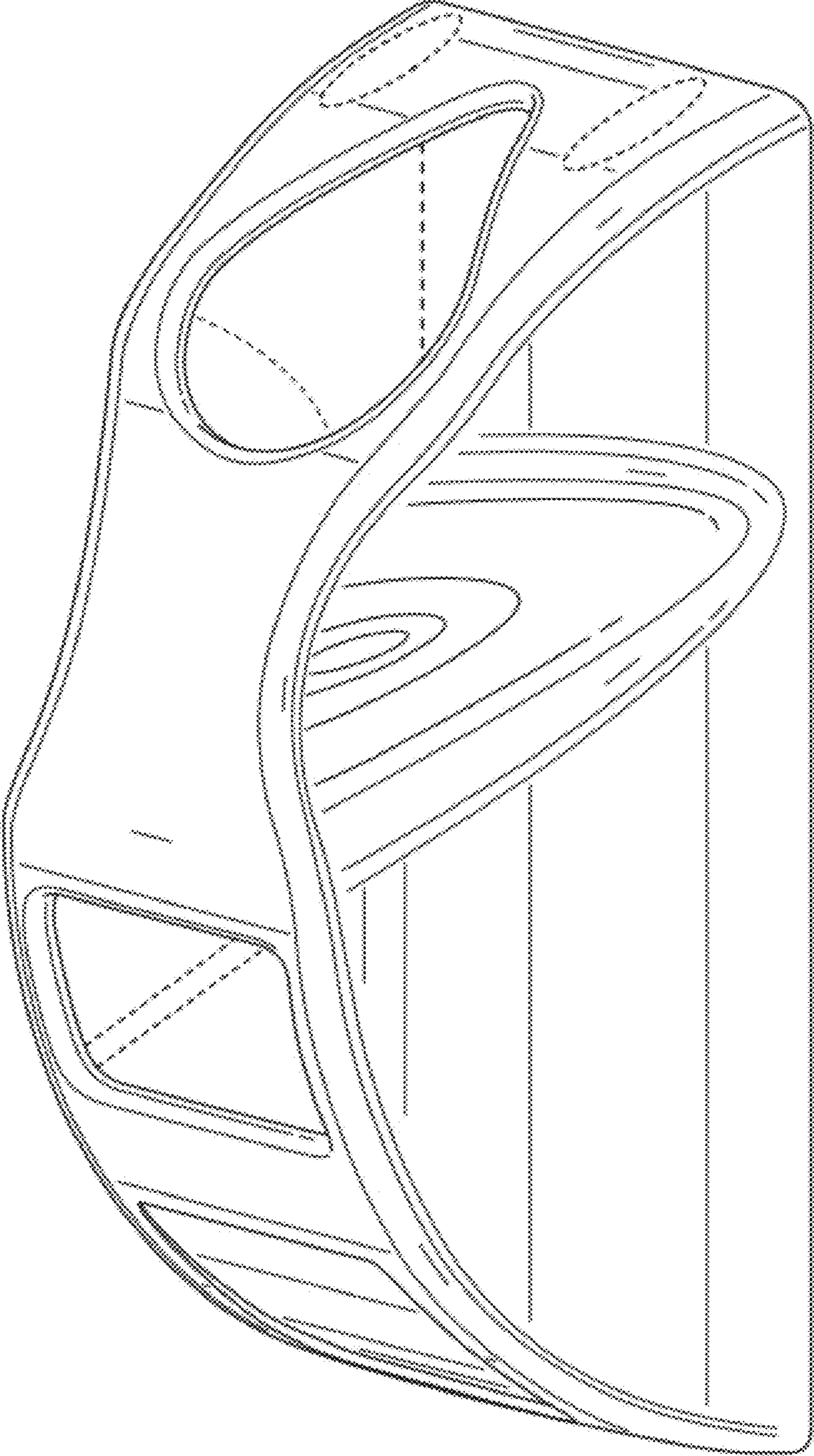


FIG. 1

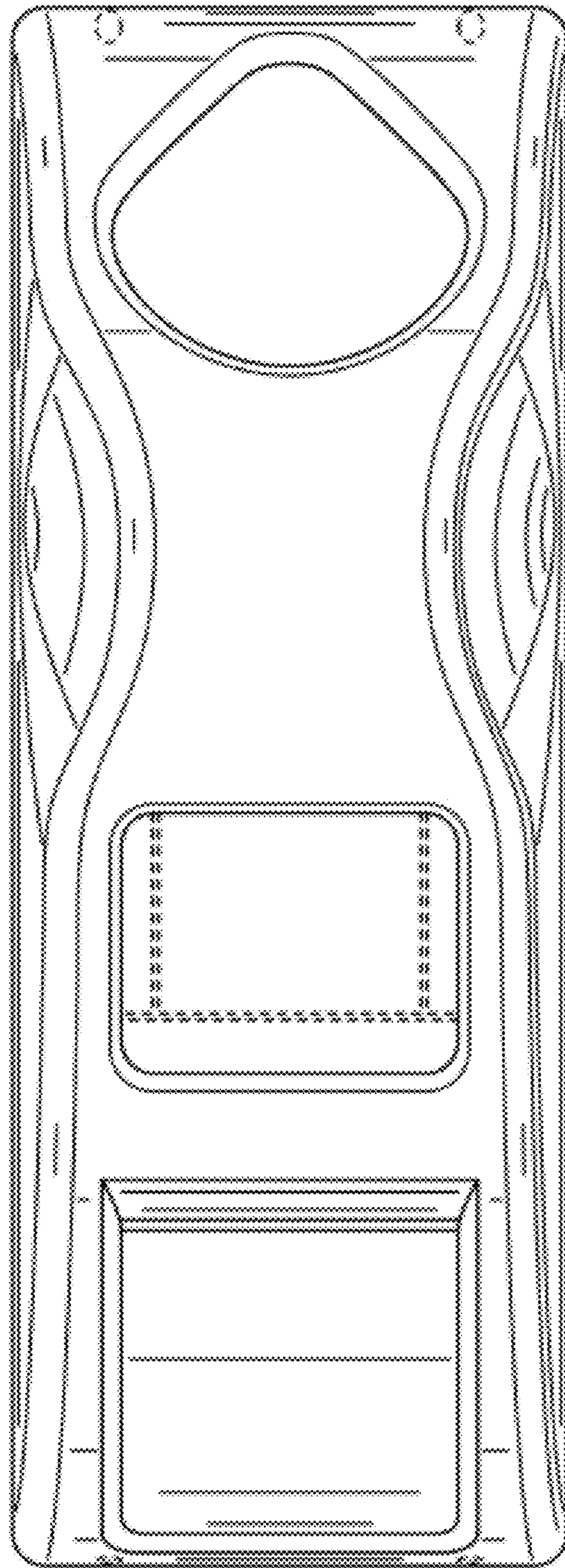


FIG. 2

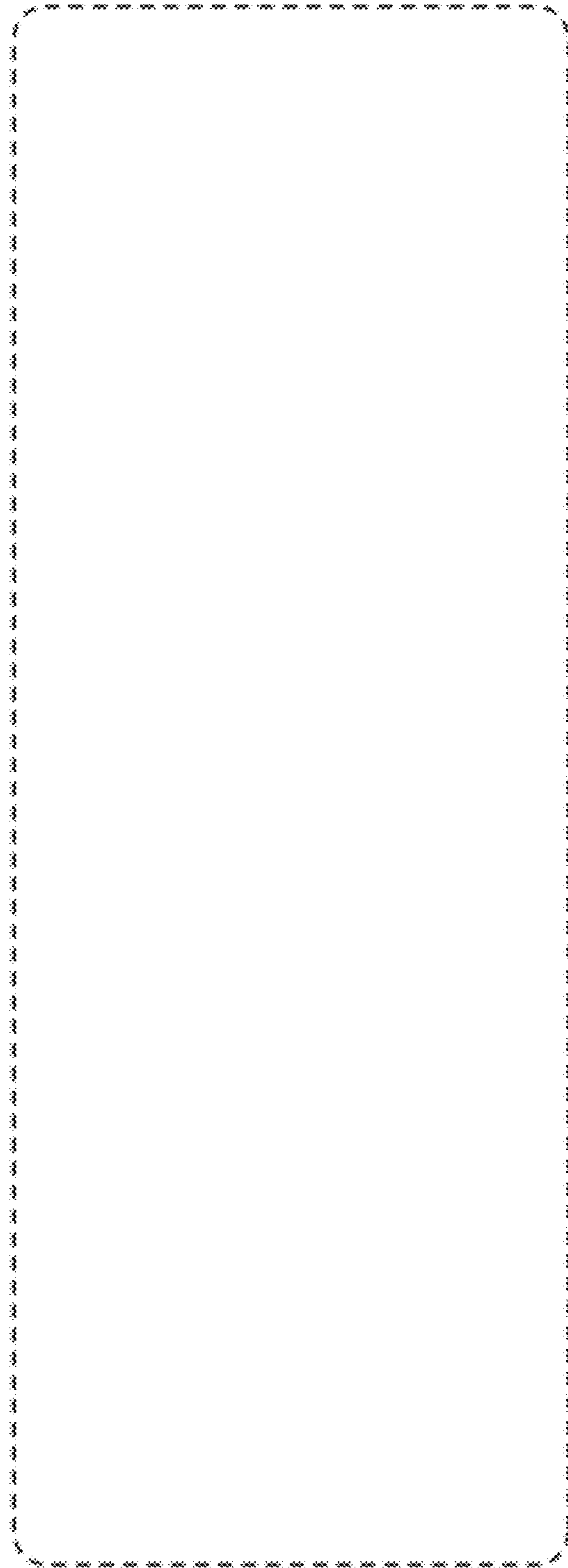


FIG. 3

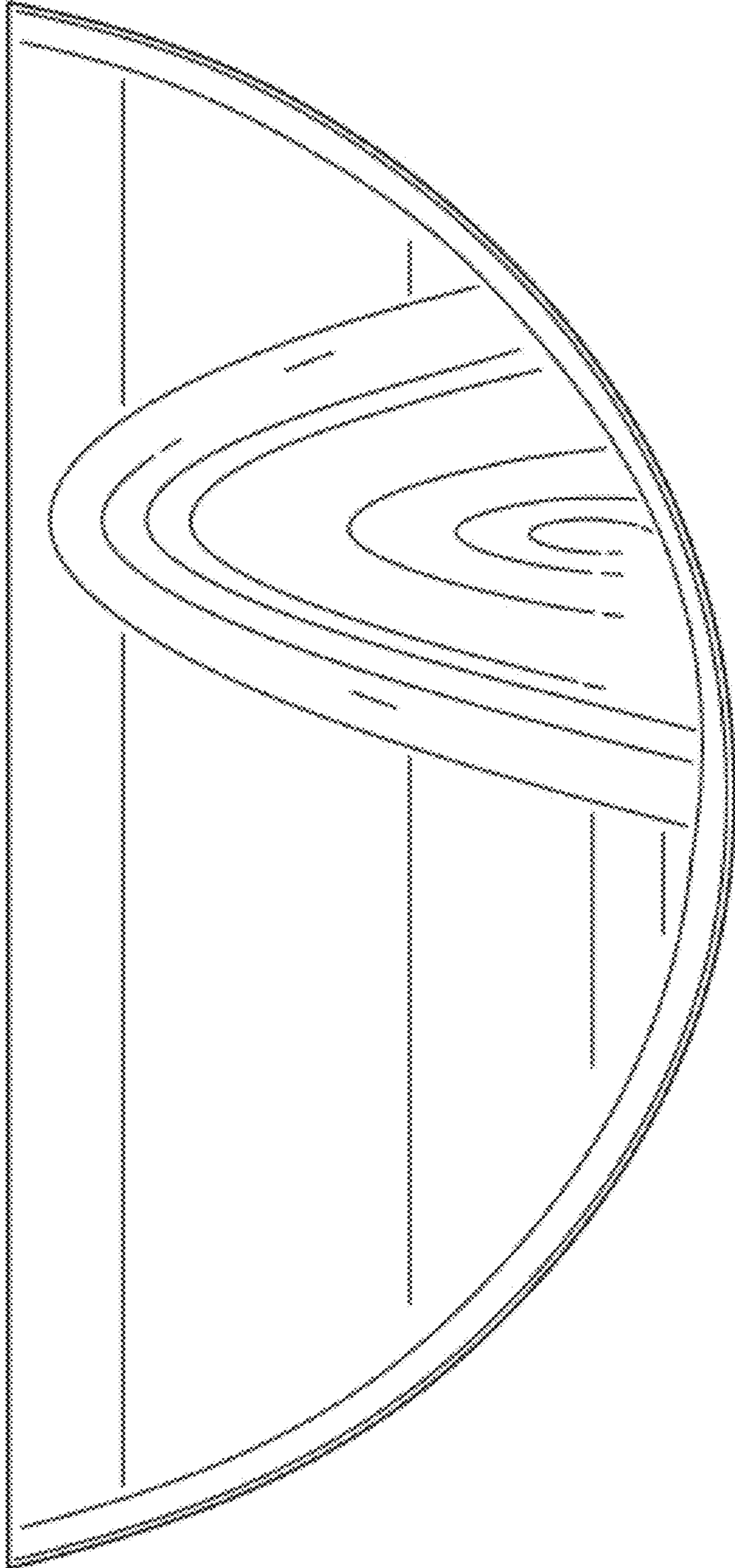


FIG. 4

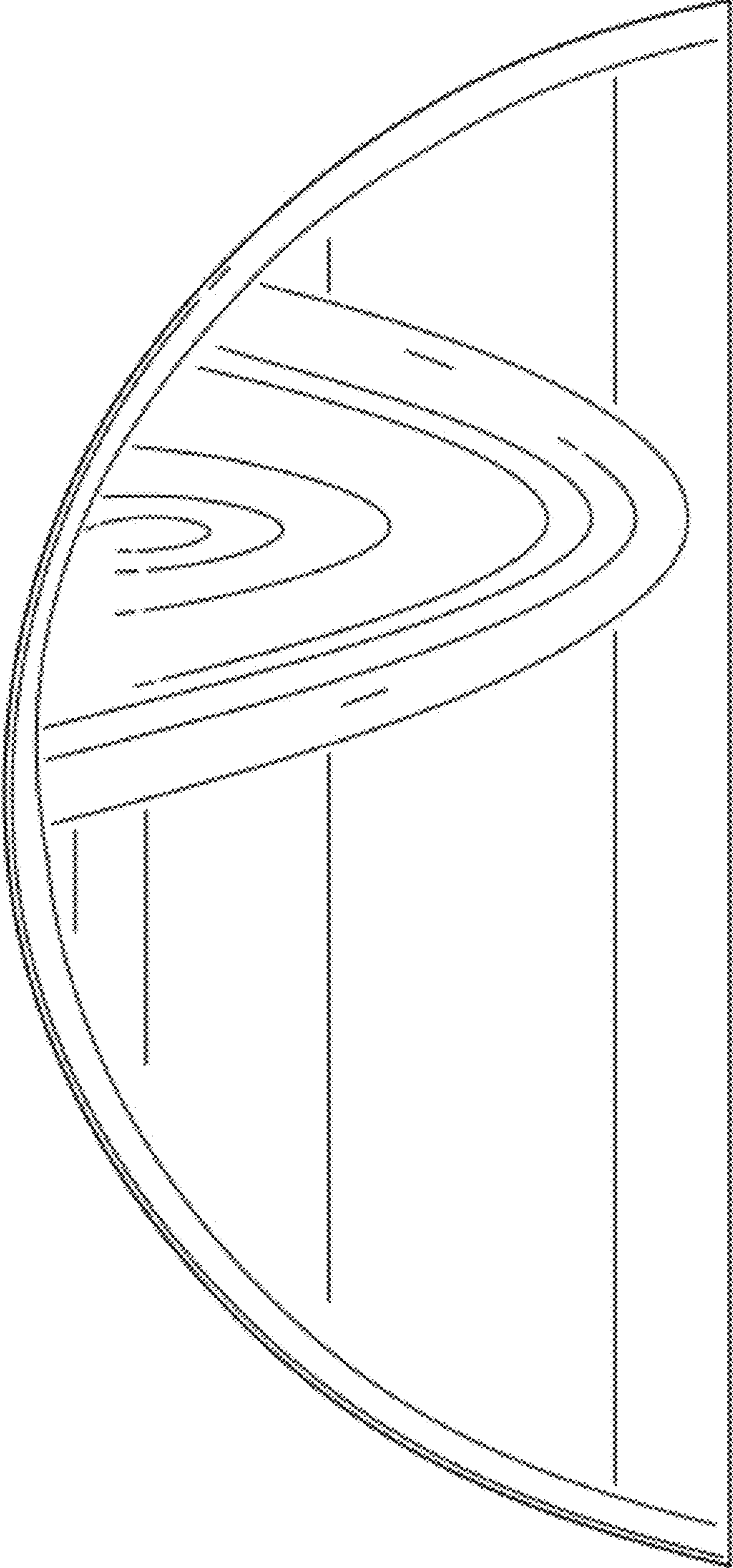


FIG. 5

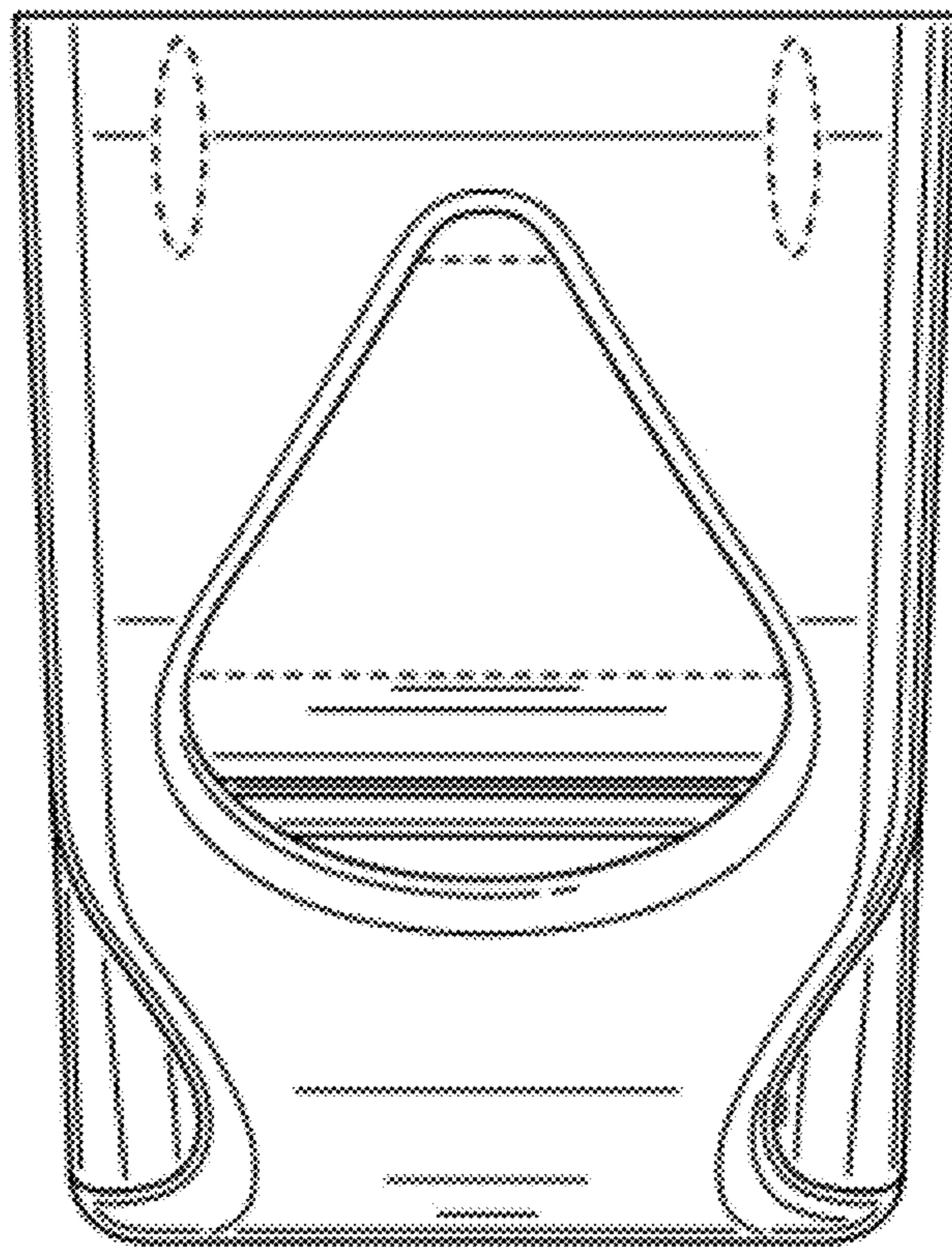


FIG. 6

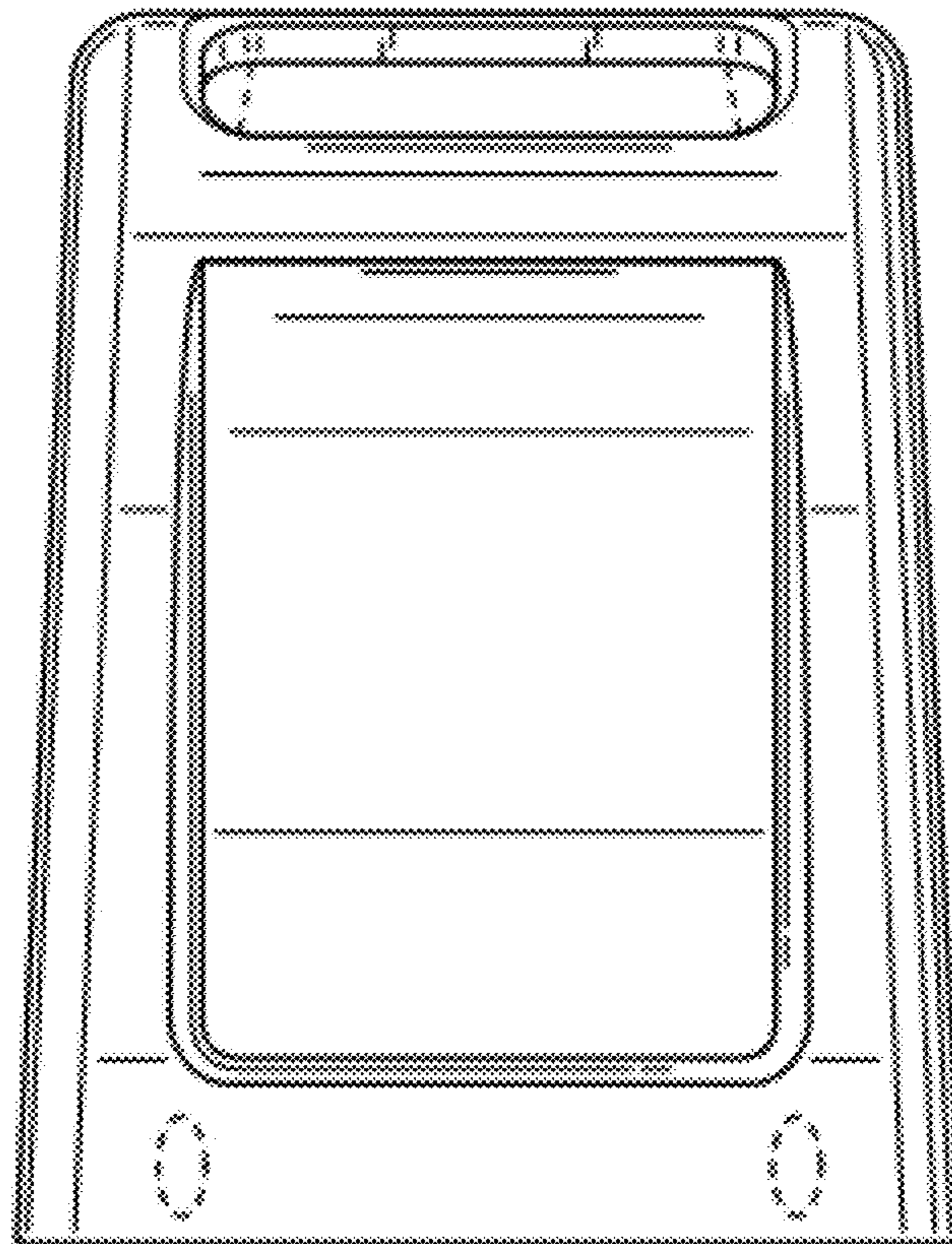


FIG. 7