

US00D663479S

(12) **United States Design Patent**
Ammerman

(10) **Patent No.:** **US D663,479 S**

(45) **Date of Patent:** **** Jul. 10, 2012**

(54) **LOTION APPLICATOR**

(76) Inventor: **Brian Ammerman**, Plainfield, IL (US)

(**) Term: **14 Years**

(21) Appl. No.: **29/414,685**

(22) Filed: **Mar. 2, 2012**

(51) **LOC (9) Cl.** **28-02**

(52) **U.S. Cl.** **D28/7**

(58) **Field of Classification Search** D28/7,
D28/8, 20-22, 30-31, 76, 85, 99; 132/108,
132/202, 208, 317, 320; 401/202-207, 261-267;
D4/132-135; D24/119; D7/361, 395, 688;
D32/40-45

See application file for complete search history.

(56) **References Cited**

U.S. PATENT DOCUMENTS

D246,804 S	*	12/1977	Kesler	D28/7
D252,219 S	*	6/1979	Peeples	D28/7
D257,447 S	*	10/1980	Kesler	D28/7
D308,734 S	*	6/1990	Markovich et al.	D28/7
D333,191 S	*	2/1993	Rainen	D28/7
D337,856 S	*	7/1993	Butler et al.	D28/7

D363,377 S	*	10/1995	Koptis	D4/122
D417,930 S	*	12/1999	Hawkes	D28/7
D485,941 S	*	1/2004	Johnson	D28/7
D599,055 S	*	8/2009	Daum	D28/7

* cited by examiner

Primary Examiner — Zenia Bennett

(74) *Attorney, Agent, or Firm* — Richards Patent Law P.C.

(57) **CLAIM**

The ornamental design for a lotion applicator, as shown and described.

DESCRIPTION

FIG. 1 is a perspective view of a lotion applicator showing my new design;

FIG. 2 is a front side view thereof;

FIG. 3 is a back side view thereof;

FIG. 4 is a left side view thereof;

FIG. 5 is a right side view thereof;

FIG. 6 is a top side view thereof; and,

FIG. 7 is a bottom side view thereof.

Those portions of the figures that are presented in broken lines merely illustrate the environment of the design and are not part of the claimed design.

1 Claim, 5 Drawing Sheets

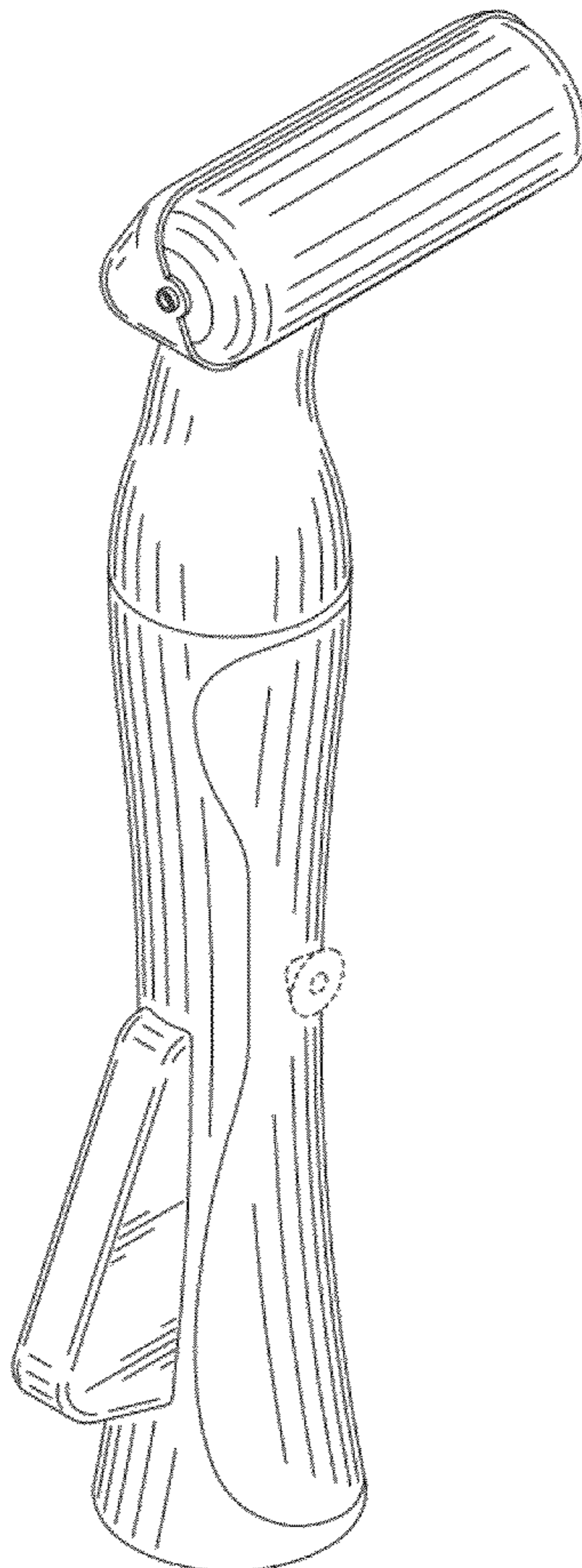


FIG. 1

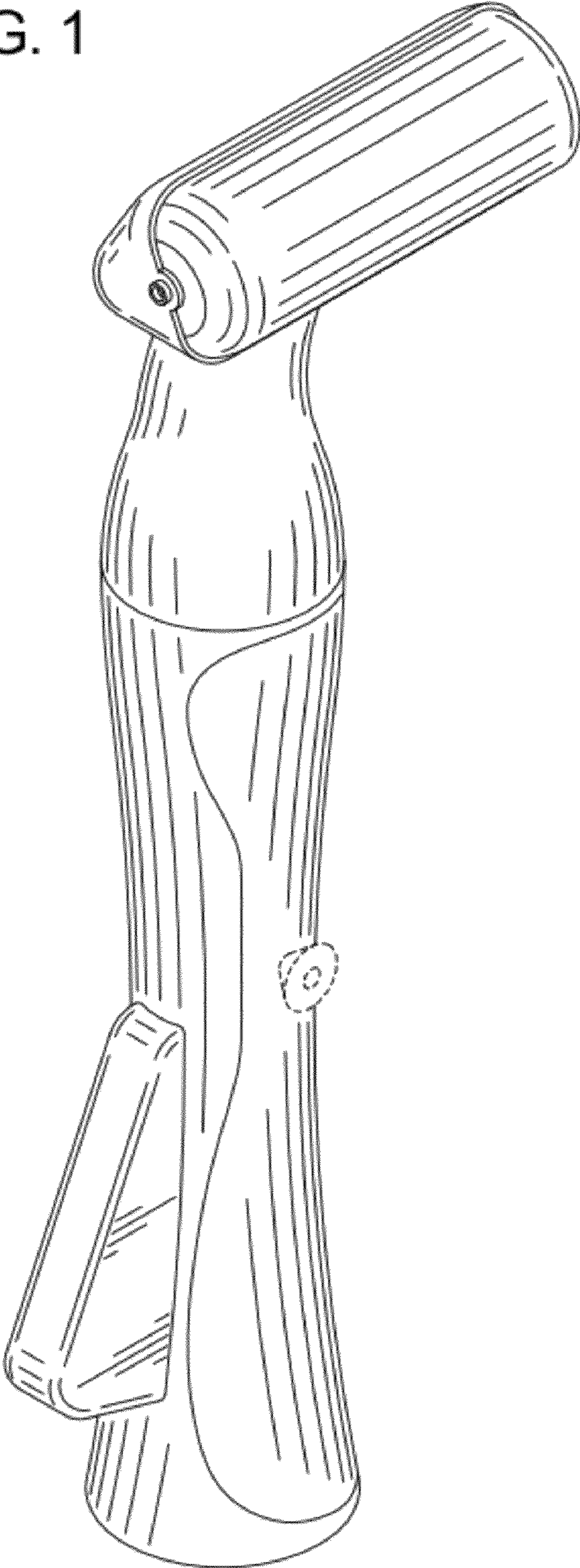


FIG. 2

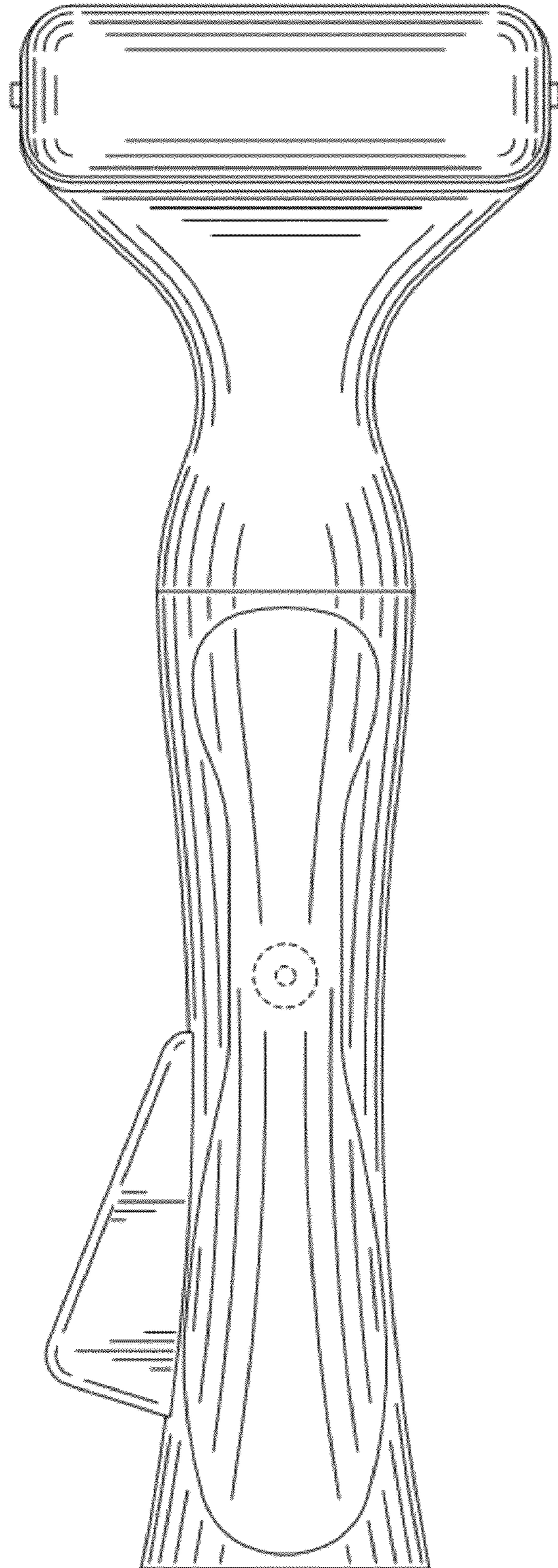


FIG. 3

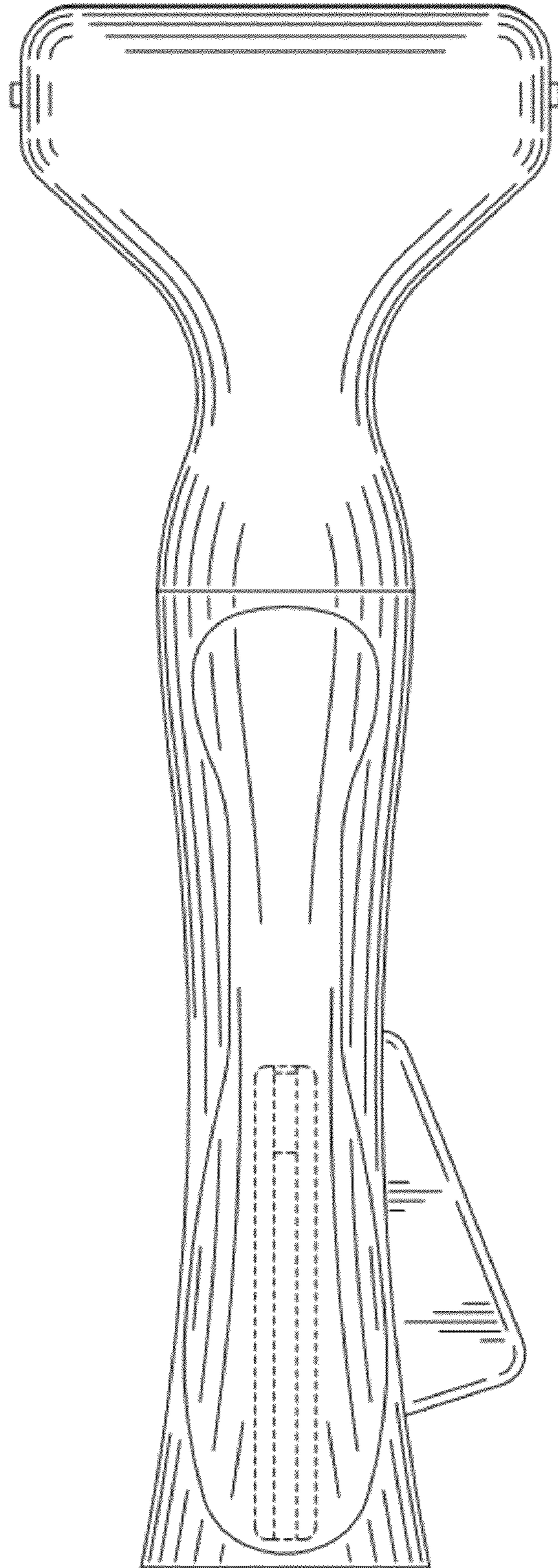


FIG. 4

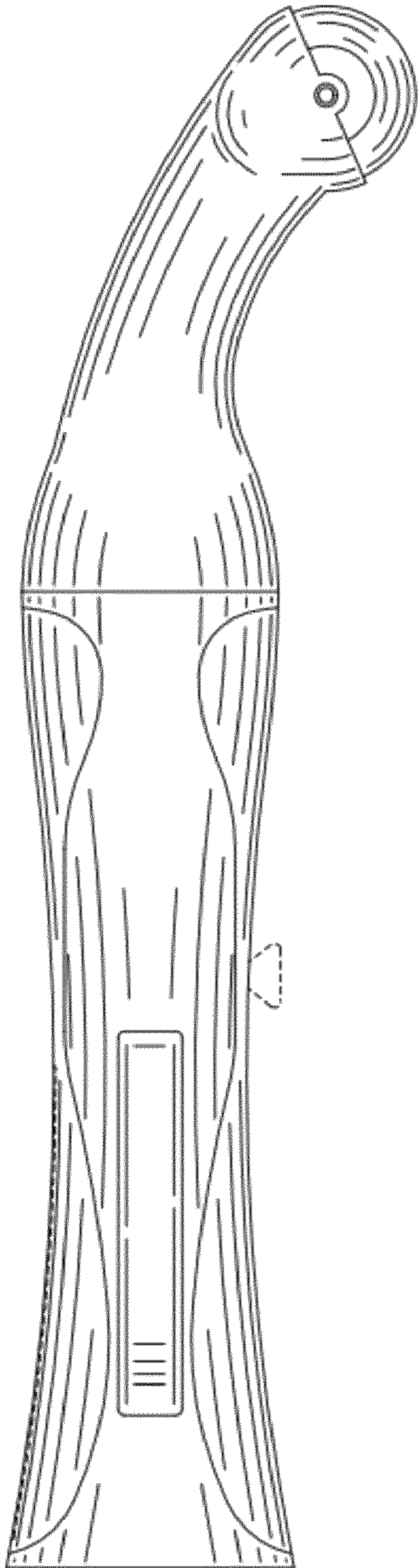


FIG. 5

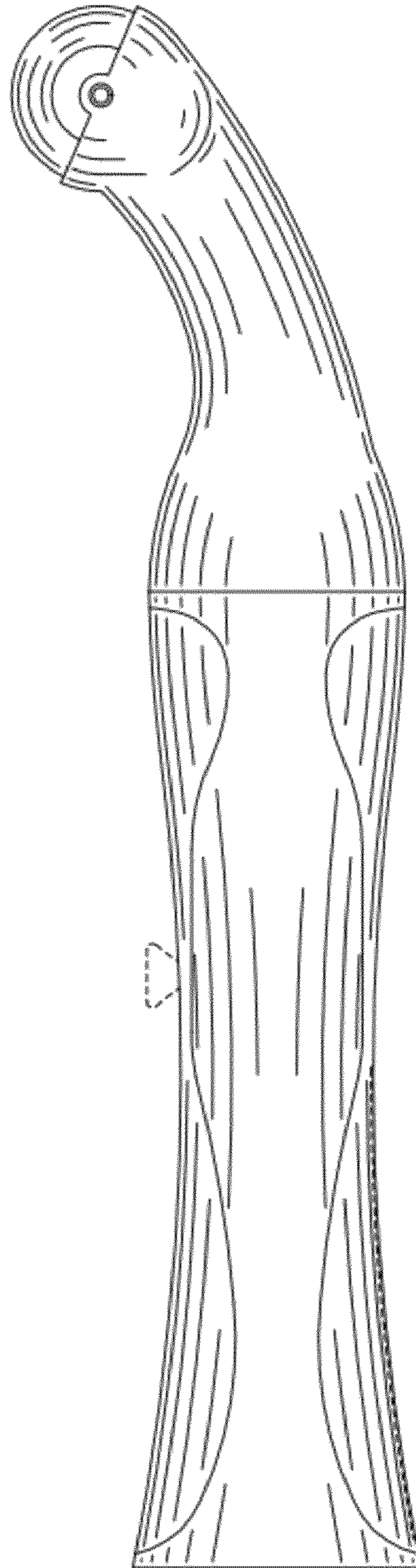


FIG. 6

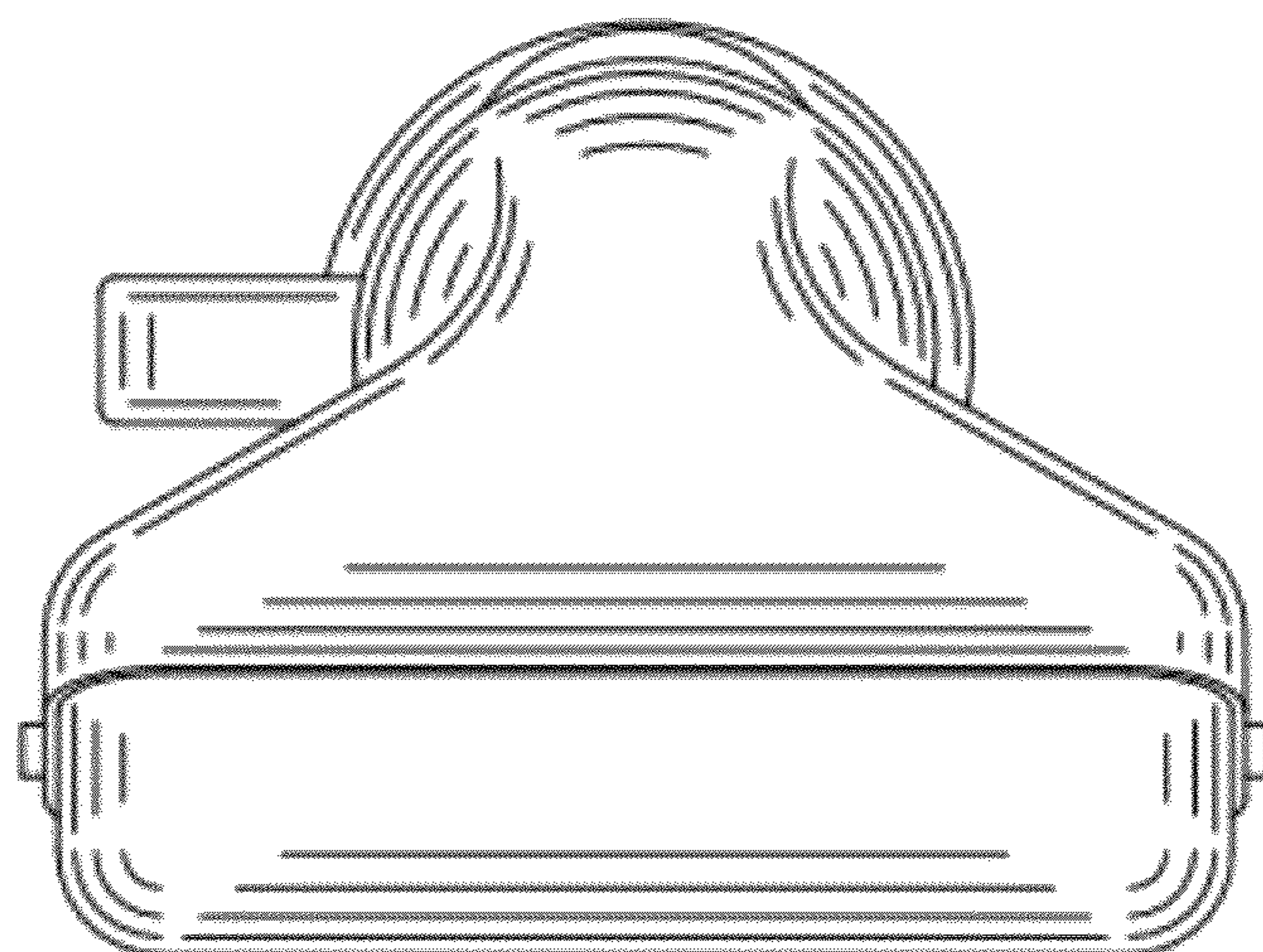


FIG. 7

