



US00D663476S

(12) **United States Design Patent**
Kelly

(10) **Patent No.:** **US D663,476 S**
(45) **Date of Patent:** **** Jul. 10, 2012**

- (54) **CIGAR HOLDING CLIP**
- (76) Inventor: **John Kelly**, Nanuet, NY (US)
- (**) Term: **14 Years**
- (21) Appl. No.: **29/399,545**
- (22) Filed: **Aug. 16, 2011**
- (51) **LOC (9) Cl.** **27-06**
- (52) **U.S. Cl.** **D27/183**
- (58) **Field of Classification Search** D27/194,
D27/184, 189, 187, 186, 185, 100, 101, 183,
D27/172, 143, 163, 162, 161, 153, 144, 141,
D27/156, 160, 139, 140, 154, 155, 157, 142,
D27/102, 130, 158, 159, 167, 173, 176, 180,
D27/181, 193; 219/220; 431/253, 344; 131/70,
131/58, 66.1, 73, 283, 47, 49, 187, 174; D9/423,
D9/542, 563, 454, 504; D8/34, 33, 105,
D8/30, 29.1; D7/416; 439/668; 206/236;
44/507

See application file for complete search history.

(56) **References Cited**

U.S. PATENT DOCUMENTS

282,183 A	7/1883	Fletcher	
4,840,341 A	6/1989	Hasegawa	
5,361,463 A	11/1994	Revis	
5,401,019 A *	3/1995	Wissman et al.	473/286
5,524,646 A	6/1996	Reich	
5,706,832 A	1/1998	Gold	

D400,298 S *	10/1998	Vignerot	D27/183
D408,097 S	4/1999	Heydt	
D408,582 S *	4/1999	Varn	D27/183
6,050,268 A	4/2000	San Filippo	
6,363,941 B1	4/2002	Combs	
6,530,510 B2 *	3/2003	Ferrari	224/547
6,826,811 B2	12/2004	Adams	
D626,285 S *	10/2010	Adame	D27/183
2003/0000536 A1 *	1/2003	Heffernan	131/257
2009/0032035 A1	2/2009	Thorpe	

* cited by examiner

Primary Examiner — Kevin Rudzinski

(74) *Attorney, Agent, or Firm* — Kyle Fletcher

(57) **CLAIM**

I claim the ornamental design for the cigar holding clip, as shown and described.

DESCRIPTION

FIG. 1 is a left side view of the cigar holding clip. the cigar holding clip uses a magnet, suction cup, or clip as attaching means for securement of the cigar holding clip to a surface. FIG. 2 is a front view of the claimed design. FIG. 3 is a rear view of the claimed design. FIG. 4 is a top view of the claimed design. FIG. 5 is a bottom view of the claimed design; and, FIG. 6 is a perspective view of the cigar holding clip and holding a cigar, which is depicted in dashed lines and is environmental matter forming no part of the claimed design.

1 Claim, 5 Drawing Sheets

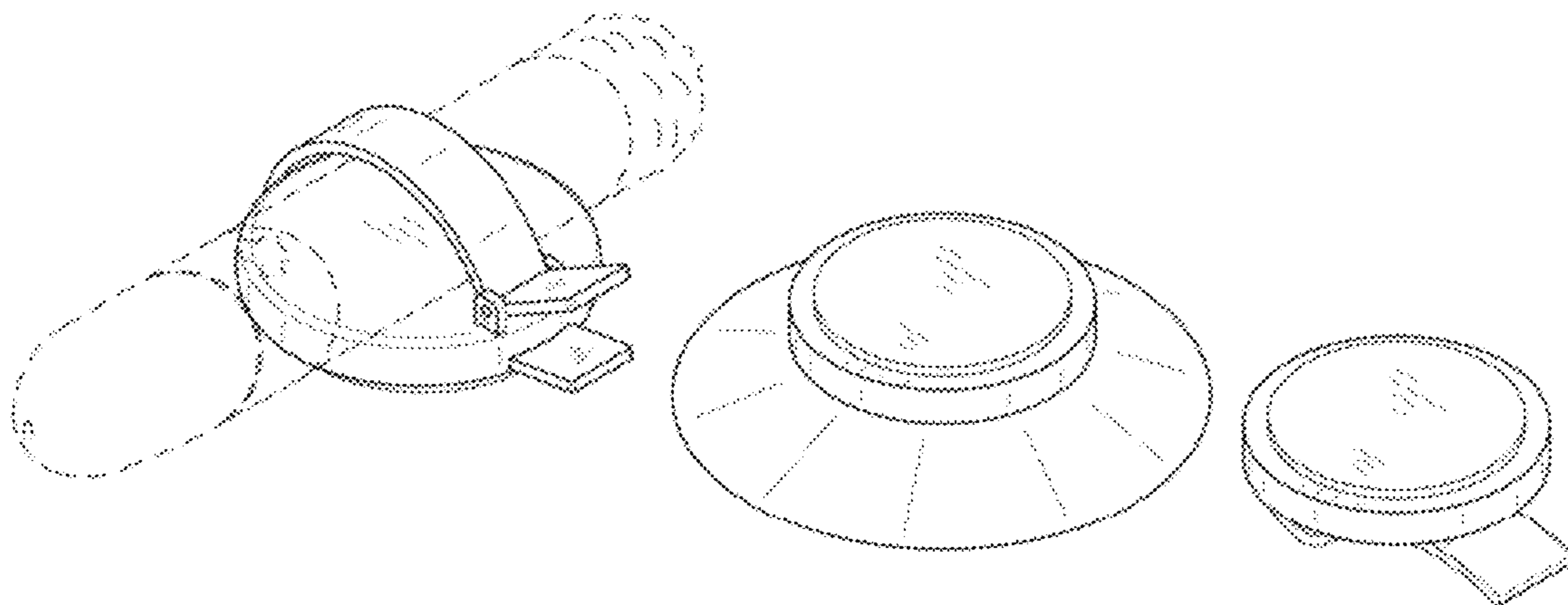
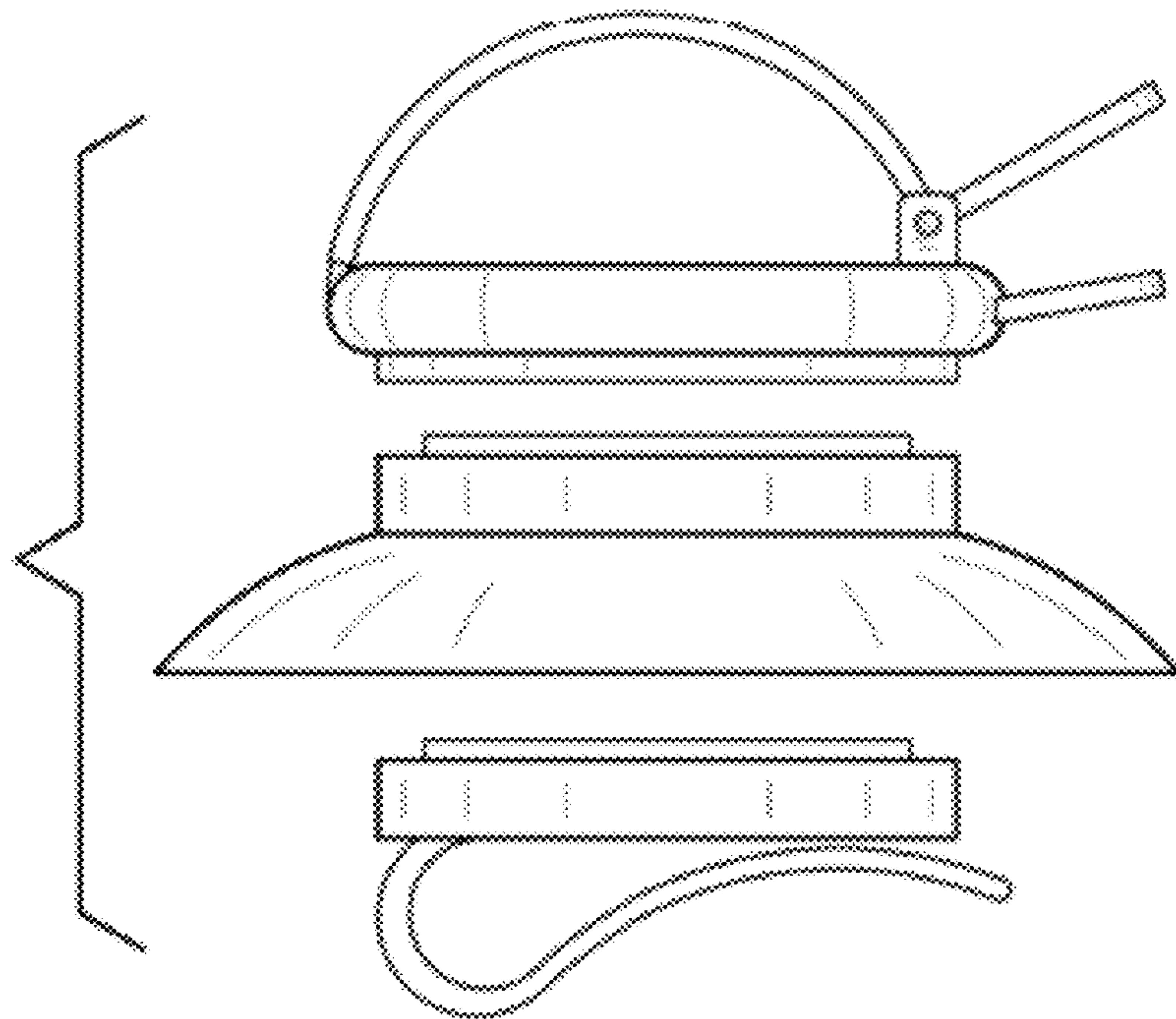


FIG. 1



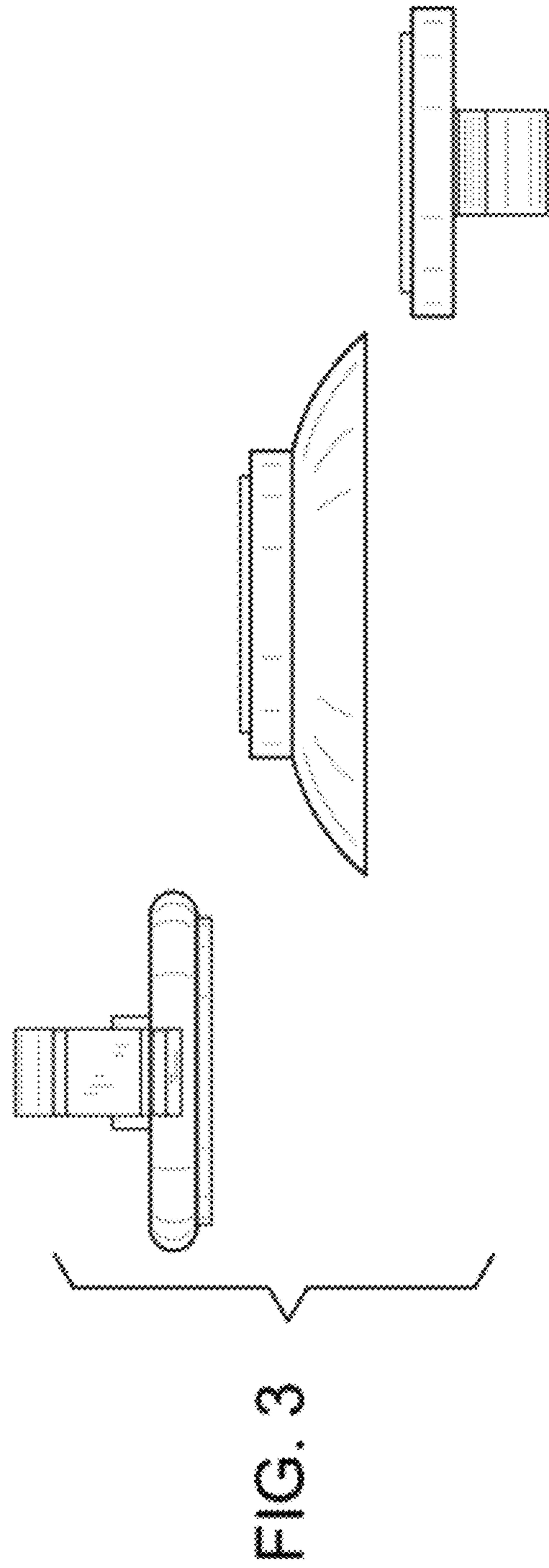
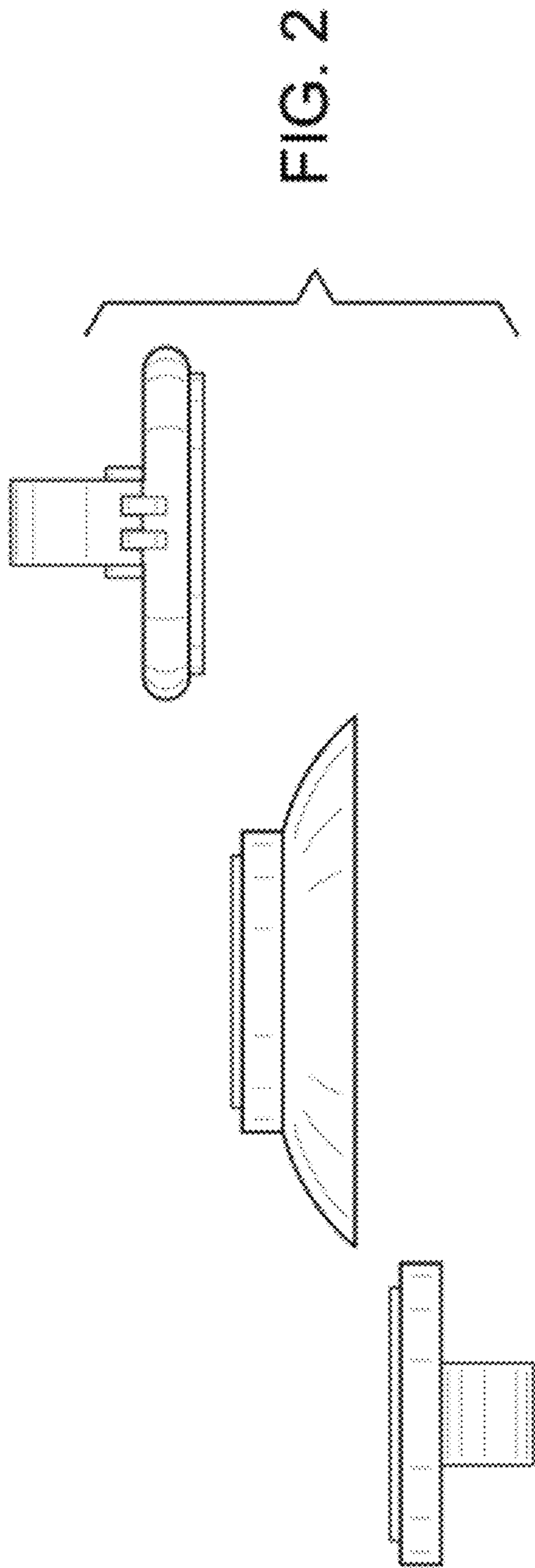


FIG. 4

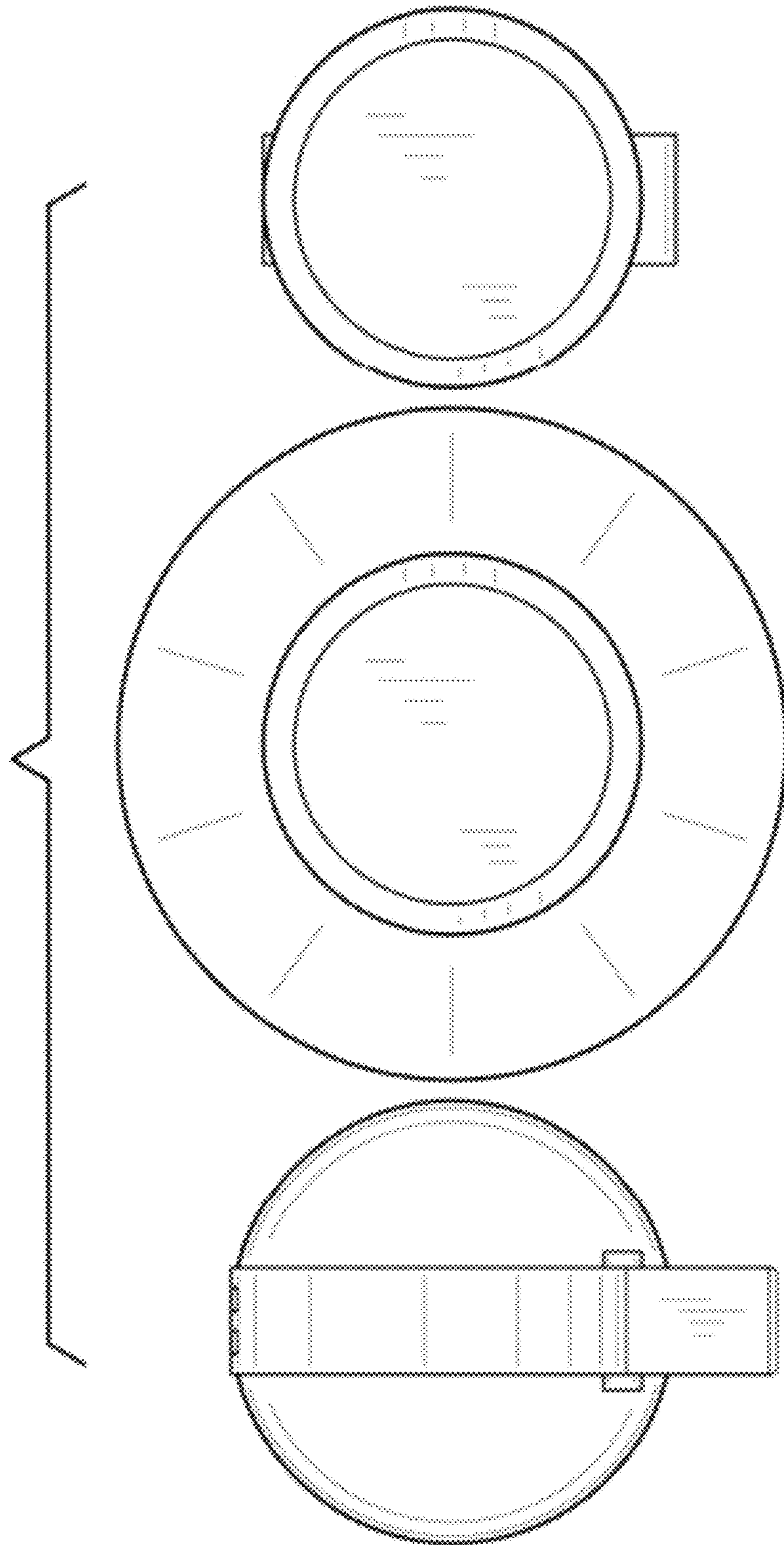
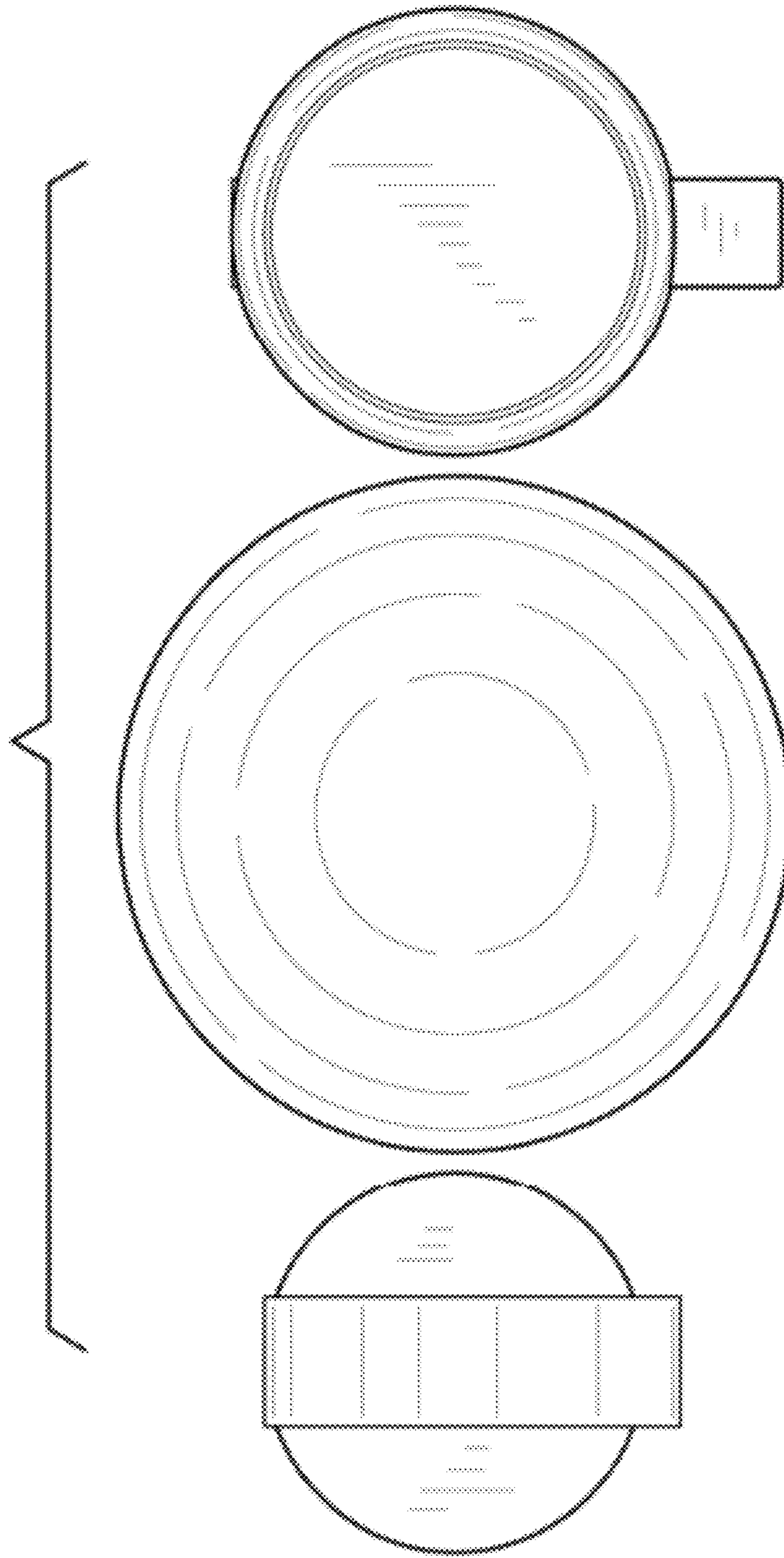


FIG. 5



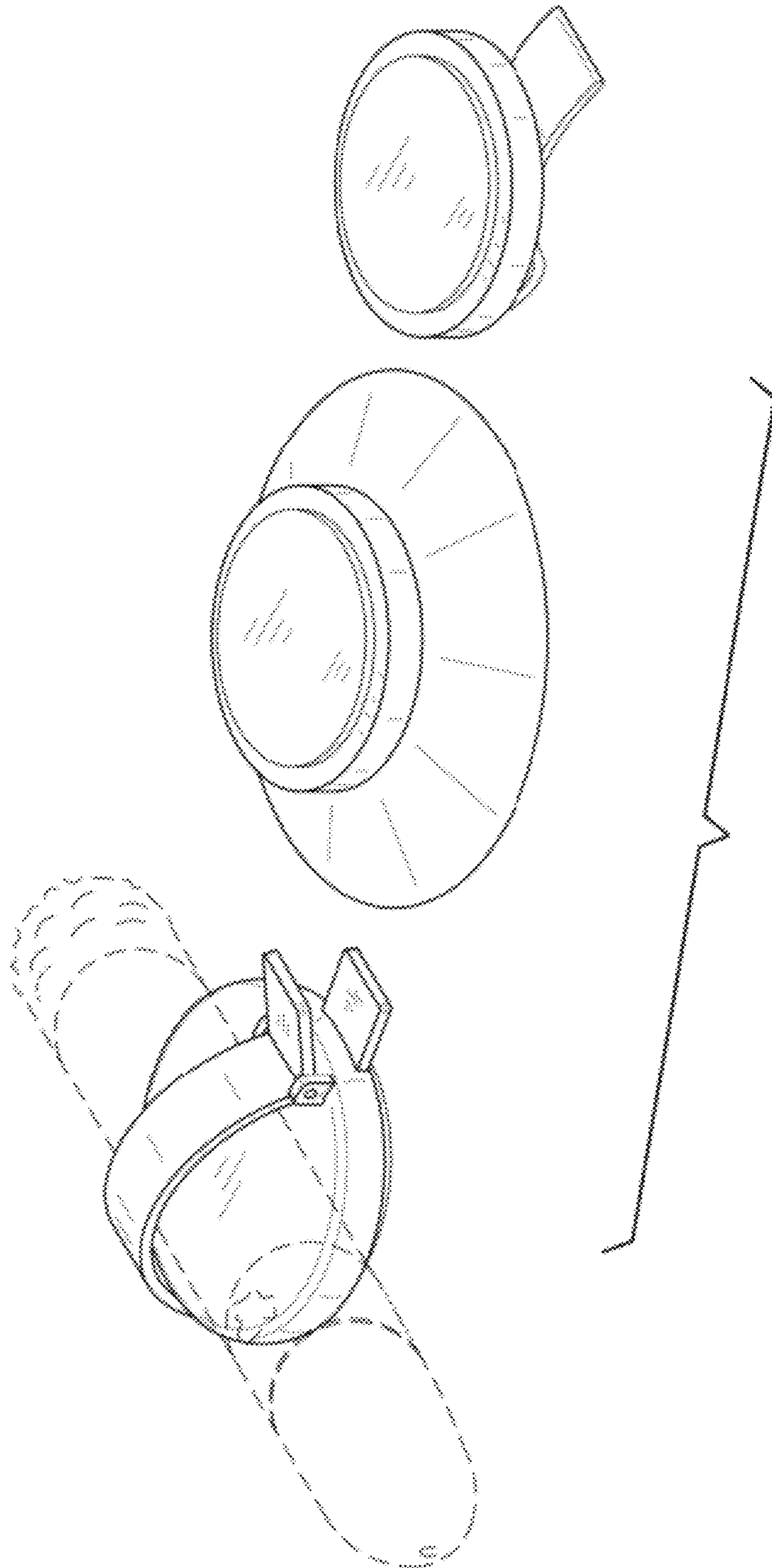


FIG. 6