

US00D663472S

(12) **United States Design Patent**
Williams et al.

(10) **Patent No.:** **US D663,472 S**
(45) **Date of Patent:** **** Jul. 10, 2012**

(54) **LUMINAIRE**

(75) Inventors: **Benjamin P. Williams**, Houlton, WI
(US); **John D. Tanner**, Plymouth, MN
(US); **William B. Peterson**,
Minneapolis, MN (US)

(73) Assignee: **Target Brands, Inc.**, Minneapolis, MN
(US)

(**) Term: **14 Years**

(21) Appl. No.: **29/388,348**

(22) Filed: **Mar. 28, 2011**

(51) **LOC (9) Cl.** **26-03**

(52) **U.S. Cl.** **D26/112; D26/93**

(58) **Field of Classification Search** D26/1,
D26/24, 67, 93-94, 104-112; 362/3, 153,
362/186, 217, 255, 257, 277, 317, 351, 353,
362/362, 363, 382, 431, 433, 458, 806

See application file for complete search history.

(56) **References Cited**

U.S. PATENT DOCUMENTS

1,121,242 A	12/1914	Giese	
D46,928 S *	2/1915	Giese	D26/105
D238,960 S	2/1976	Leung et al.	
D398,416 S	9/1998	Huang	
D420,165 S	2/2000	Chiu	
6,568,821 B1	5/2003	Page et al.	
6,705,747 B2	3/2004	Caferro et al.	
6,971,781 B2	12/2005	Guy	
6,988,815 B1	1/2006	Rizkin et al.	
6,994,462 B2	2/2006	Pesenti	
D517,239 S	3/2006	Starck	
7,052,157 B1	5/2006	Lau	
7,229,196 B2	6/2007	Hulse	
7,246,932 B2	7/2007	Burtsev et al.	
D575,897 S	8/2008	Dordoni	

D586,937 S *	2/2009	Klein	D26/93
7,631,996 B2	12/2009	Huang	
7,784,967 B2	8/2010	Lodhie	
D632,826 S *	2/2011	Sabernig	D26/93
D650,511 S *	12/2011	Hine et al.	D26/93
2007/0030693 A1	2/2007	Karlsson	
2010/0148688 A1	6/2010	Hikmet et al.	

OTHER PUBLICATIONS

Wang, Tracy, LEDinside, "Global Lighting Technologies offering new range of LED-based edge-lit illumination solutions," Feb. 23, 2010, 2 pages.

Starscape, "Edge lit transparent Acrylic panels," http://www.starscape.co.uk/acrylic_panels_html, Oct. 13, 2010, 4 pages.

* cited by examiner

Primary Examiner — Brian N Vinson

(74) *Attorney, Agent, or Firm* — Leanne Taveggia Farrell; Westman, Champlin & Kelly, P.A.

(57) **CLAIM**

The ornamental design for a luminaire, as shown and described.

DESCRIPTION

FIG. 1 is a top perspective view of a luminaire showing our new design.

FIG. 2 is side elevational view thereof;

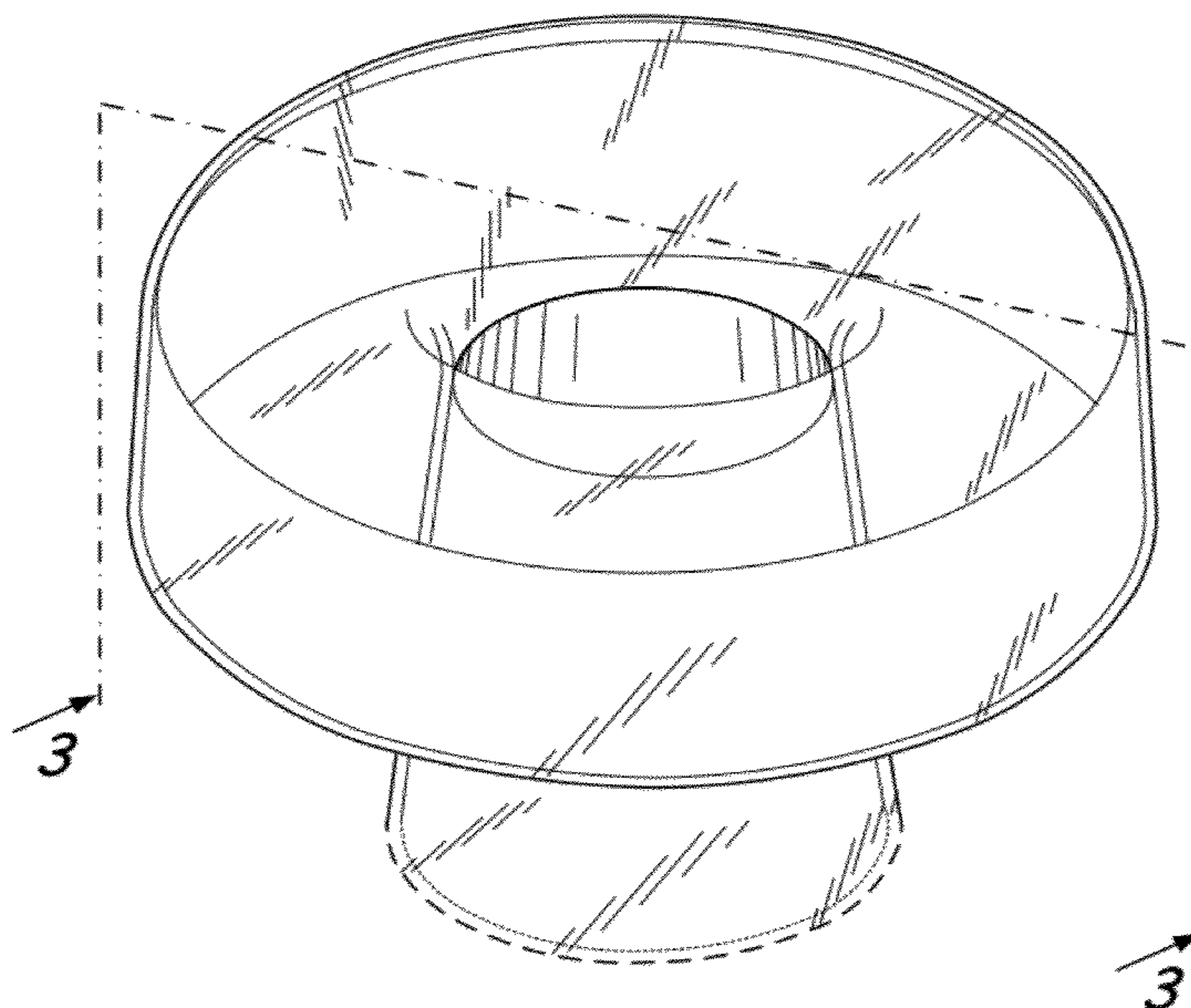
FIG. 3 is a vertical cross-sectional view thereof, taken in the direction of line 3-3 of FIG. 1;

FIG. 4 is a top plan view thereof; and,

FIG. 5 is a bottom plan view thereof.

The broken lines disclosure in the views is understood to represent a portion of the article in which the claimed design is embodied, but which forms no part of the claimed design.

1 Claim, 5 Drawing Sheets



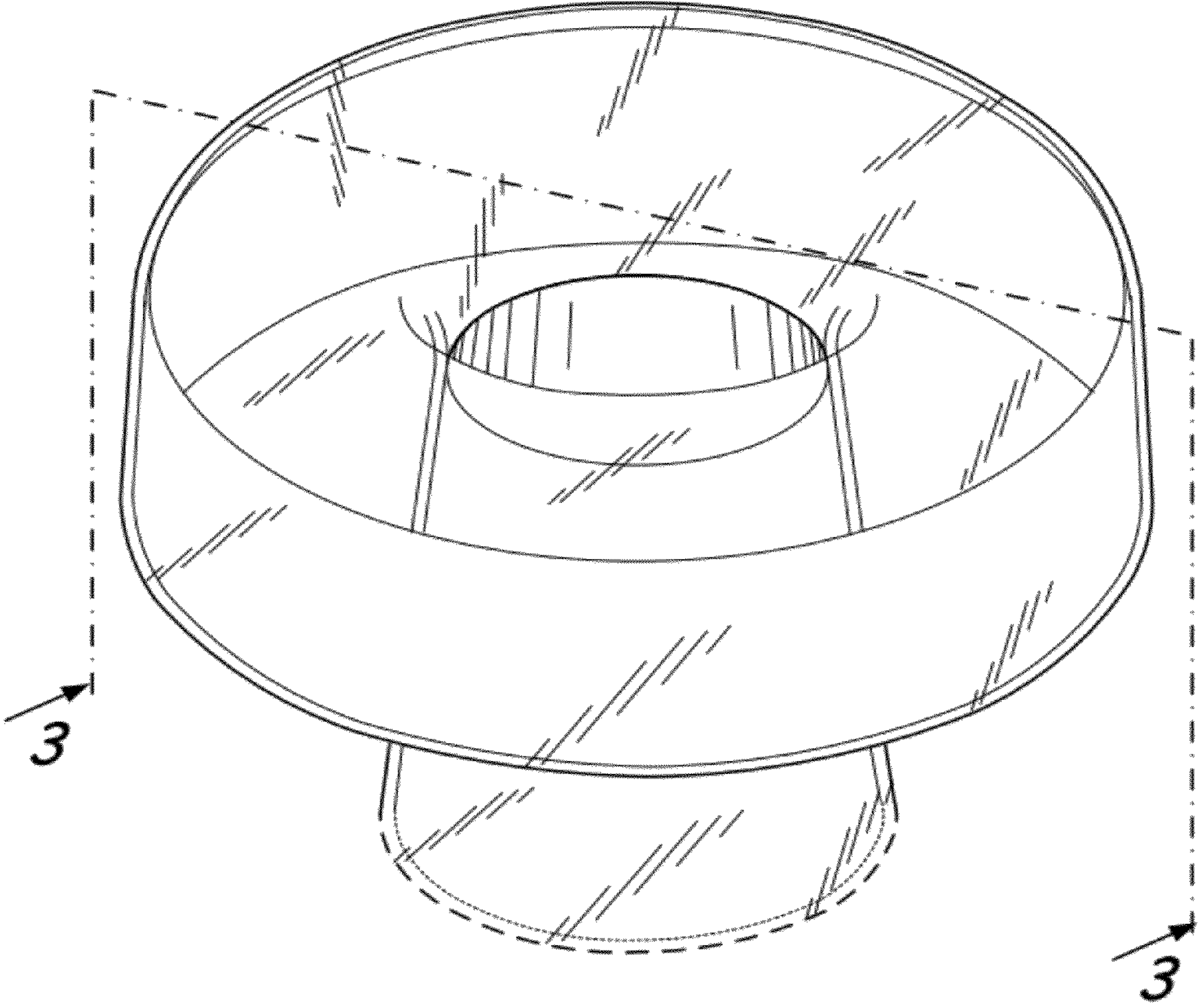


FIG. 1

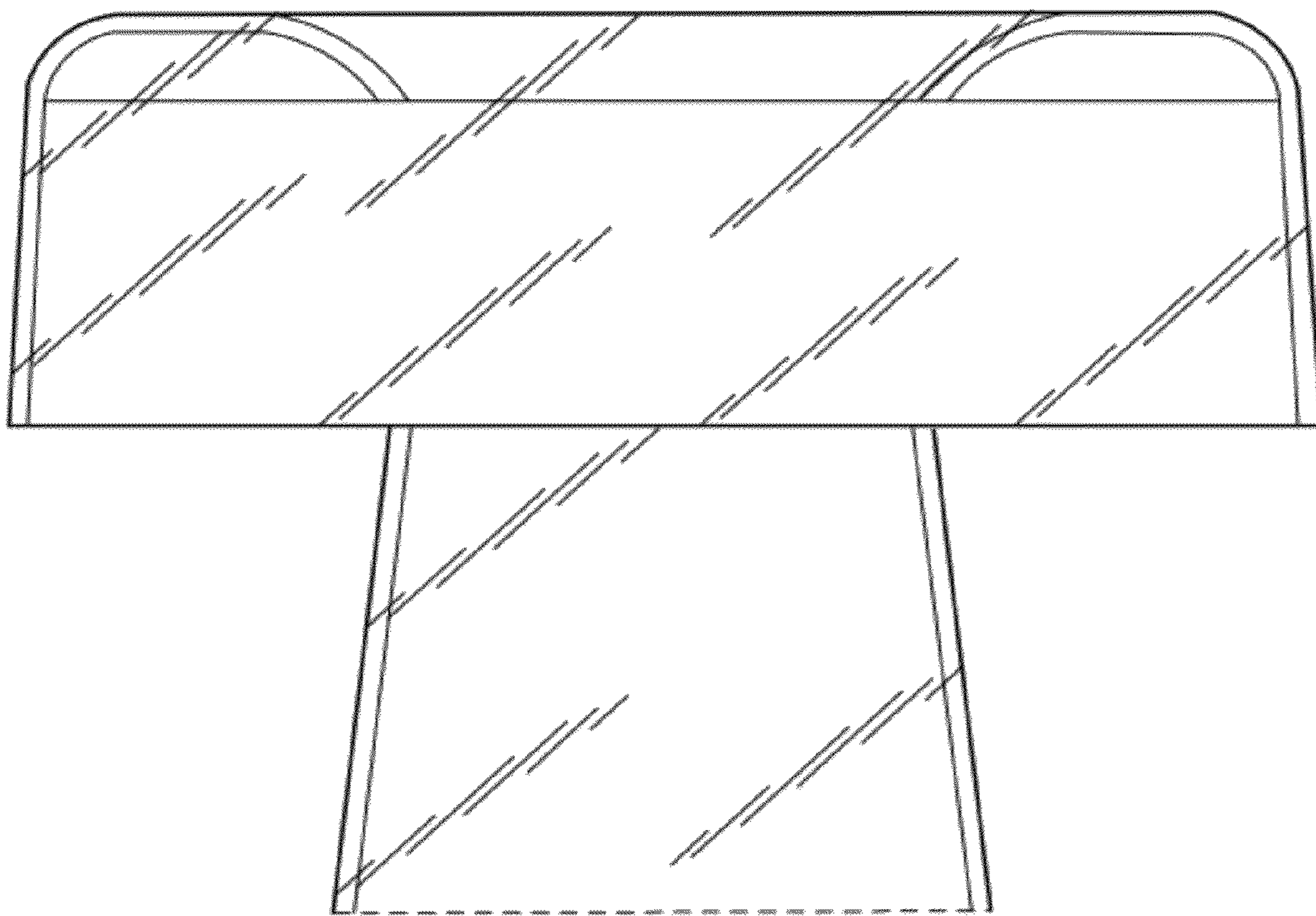


FIG. 2

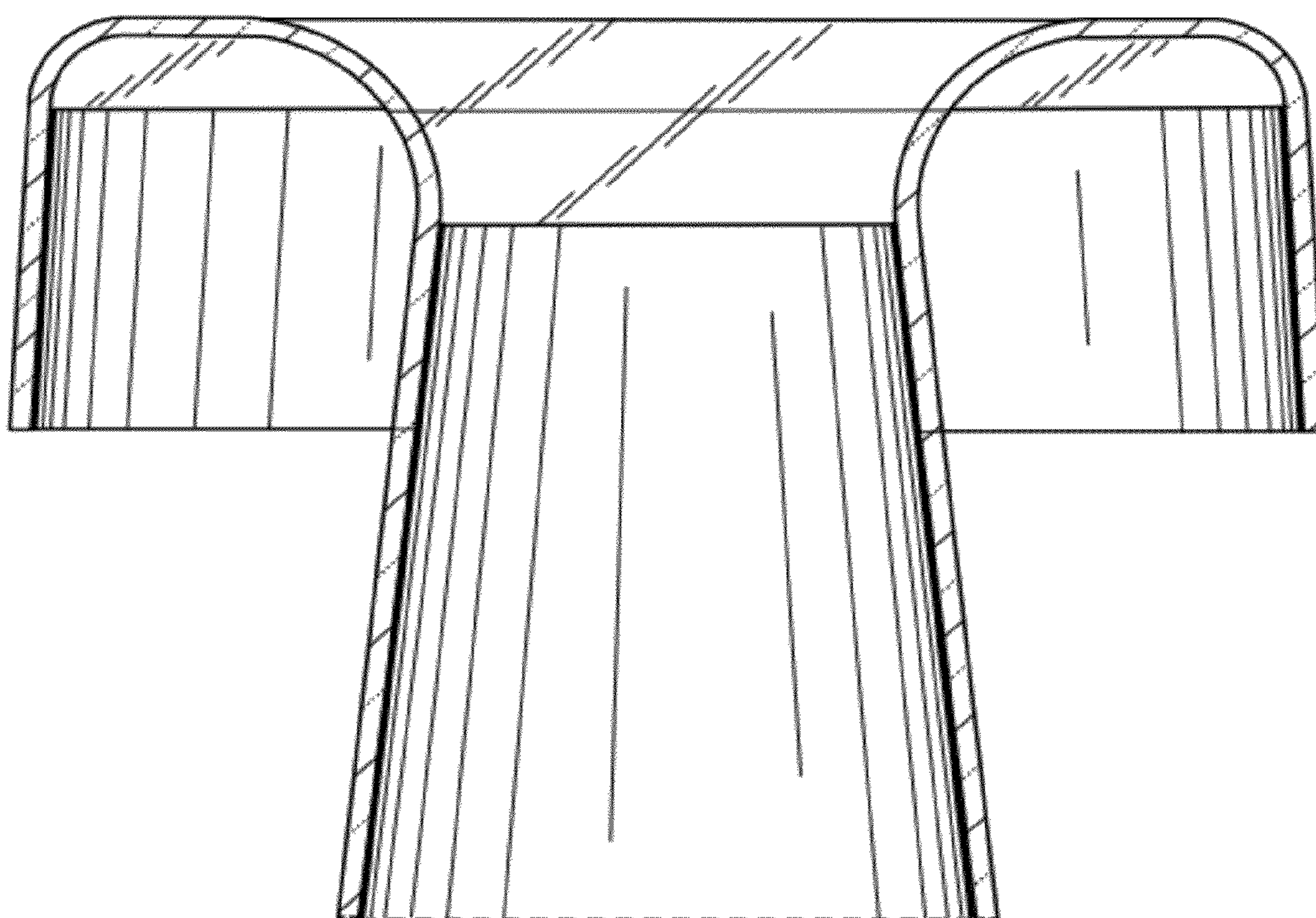


FIG. 3

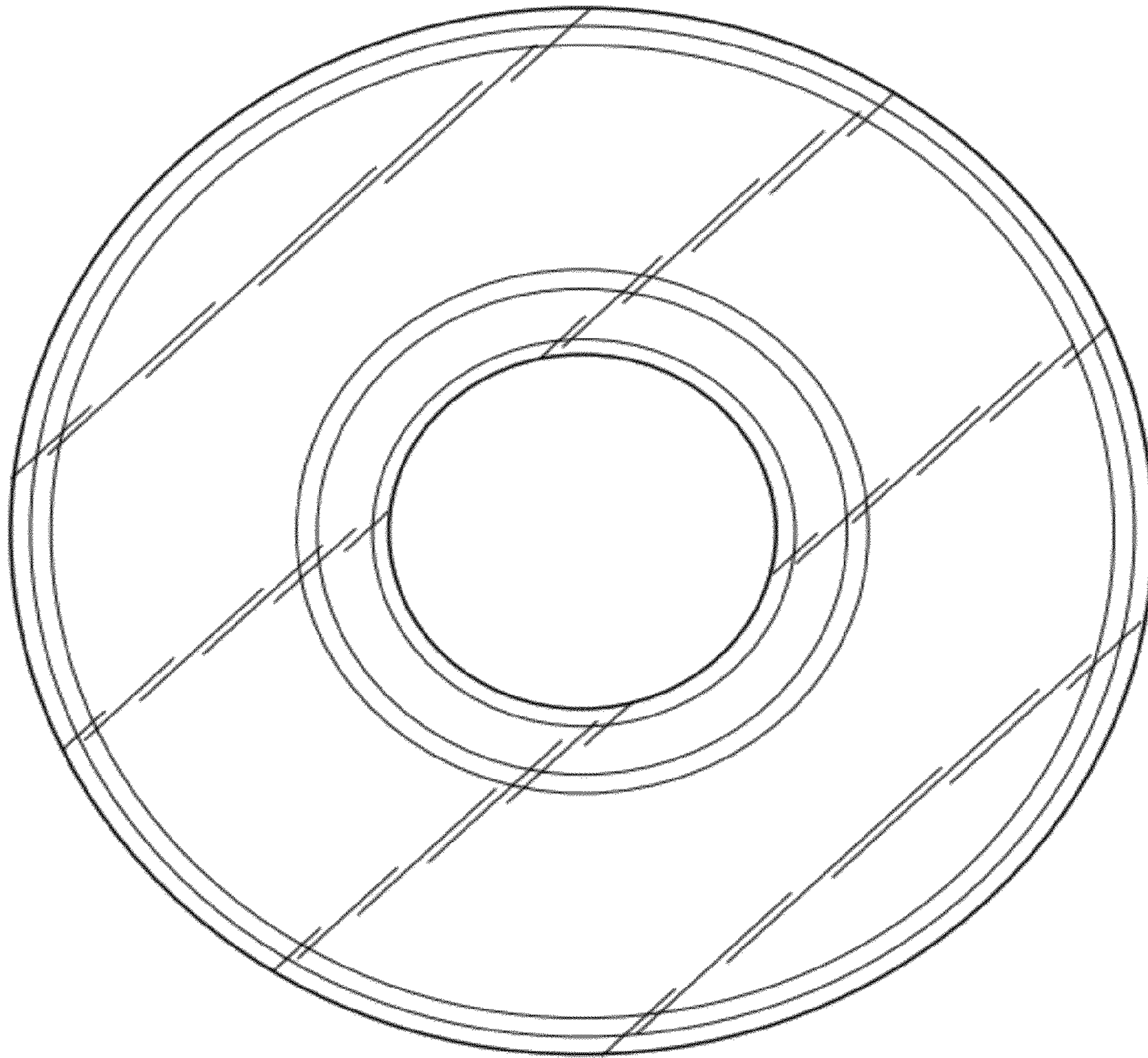


FIG. 4

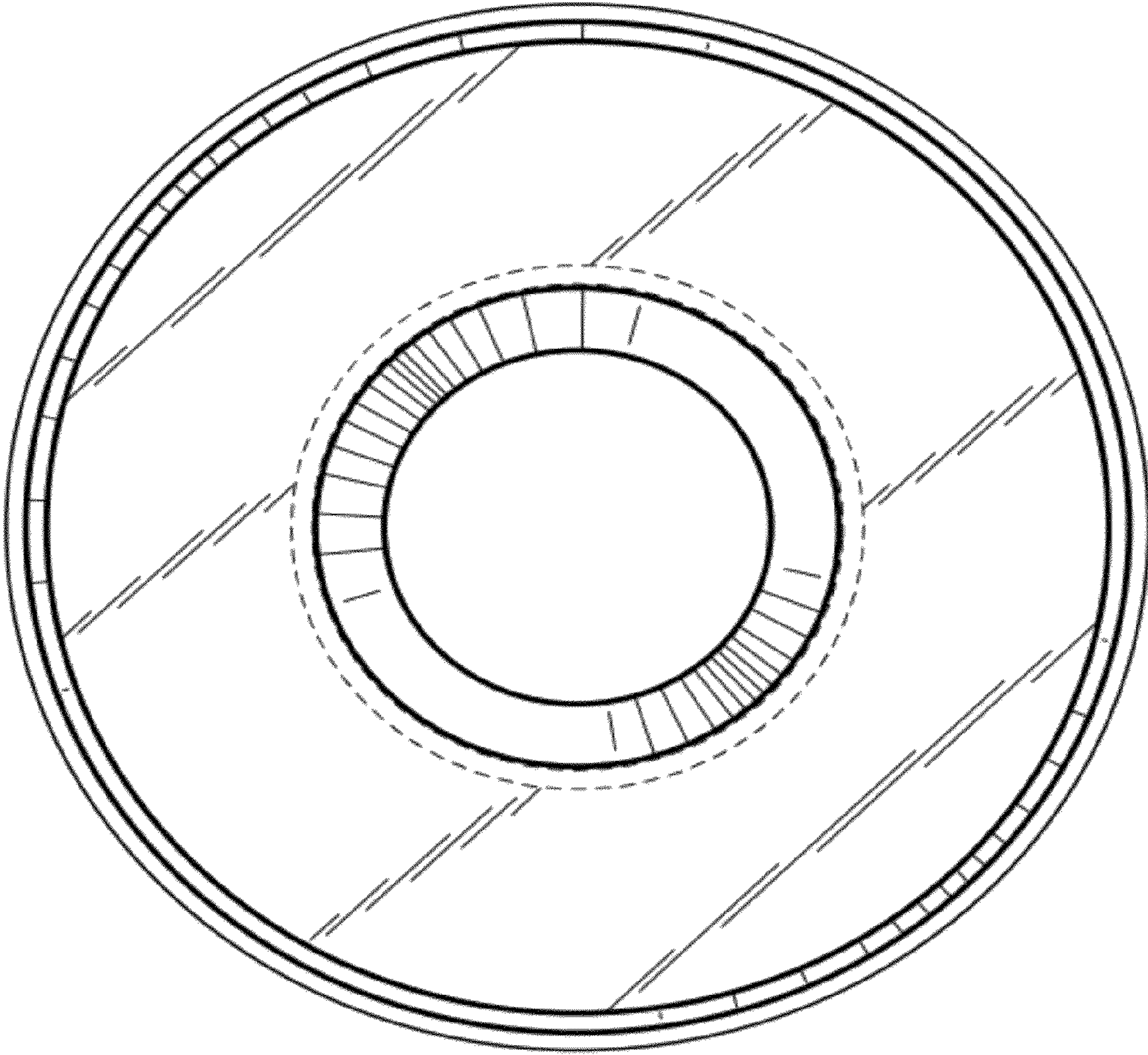


FIG. 5