



US00D663470S

(12) **United States Design Patent**
Ruiz

(10) **Patent No.:** **US D663,470 S**

(45) **Date of Patent:** **** Jul. 10, 2012**

(54) **LAMP**

(75) **Inventor:** **Joan Gaspar Ruiz**, Badalona (ES)

(73) **Assignee:** **Marset Iluminacion, S.A.**, Badalona (ES)

(**) **Term:** **14 Years**

(21) **Appl. No.:** **29/402,819**

(22) **Filed:** **Sep. 28, 2011**

(30) **Foreign Application Priority Data**

Mar. 30, 2001 (EM) 001843400-0002

(51) **LOC (9) Cl.** **26-03**

(52) **U.S. Cl.** **D26/88**

(58) **Field of Classification Search** D26/80-82,
D26/84, 86, 88, 90, 92, 128, 135, 136, 146,
D26/147; 362/147, 404-408

See application file for complete search history.

(56) **References Cited**

U.S. PATENT DOCUMENTS

D31,587 S * 10/1899 Rhind D26/128

D86,420 S * 3/1932 Sutter D26/88

D134,355 S *	11/1942	Rolph	D26/88
D178,212 S *	7/1956	Schreckengost	D26/89
D242,943 S *	1/1977	Lazerson	D26/88
D346,459 S *	4/1994	King	D26/84
D556,939 S *	12/2007	Gajewski	D26/89
D574,546 S *	8/2008	Morrison	D26/88
D588,299 S *	3/2009	Sabernig	D26/88
D588,301 S *	3/2009	Sabernig	D26/90
D596,336 S *	7/2009	Sabernig	D26/88
D602,192 S *	10/2009	Tunze	D26/88

* cited by examiner

Primary Examiner — Clare E Heflin

(74) *Attorney, Agent, or Firm* — Sturm & Fix LLP

(57) **CLAIM**

The ornamental design for a lamp, as shown and described.

DESCRIPTION

FIG. 1 is a perspective view from above of the lamp showing my new design;

FIG. 2 is a perspective view from below of the lamp;

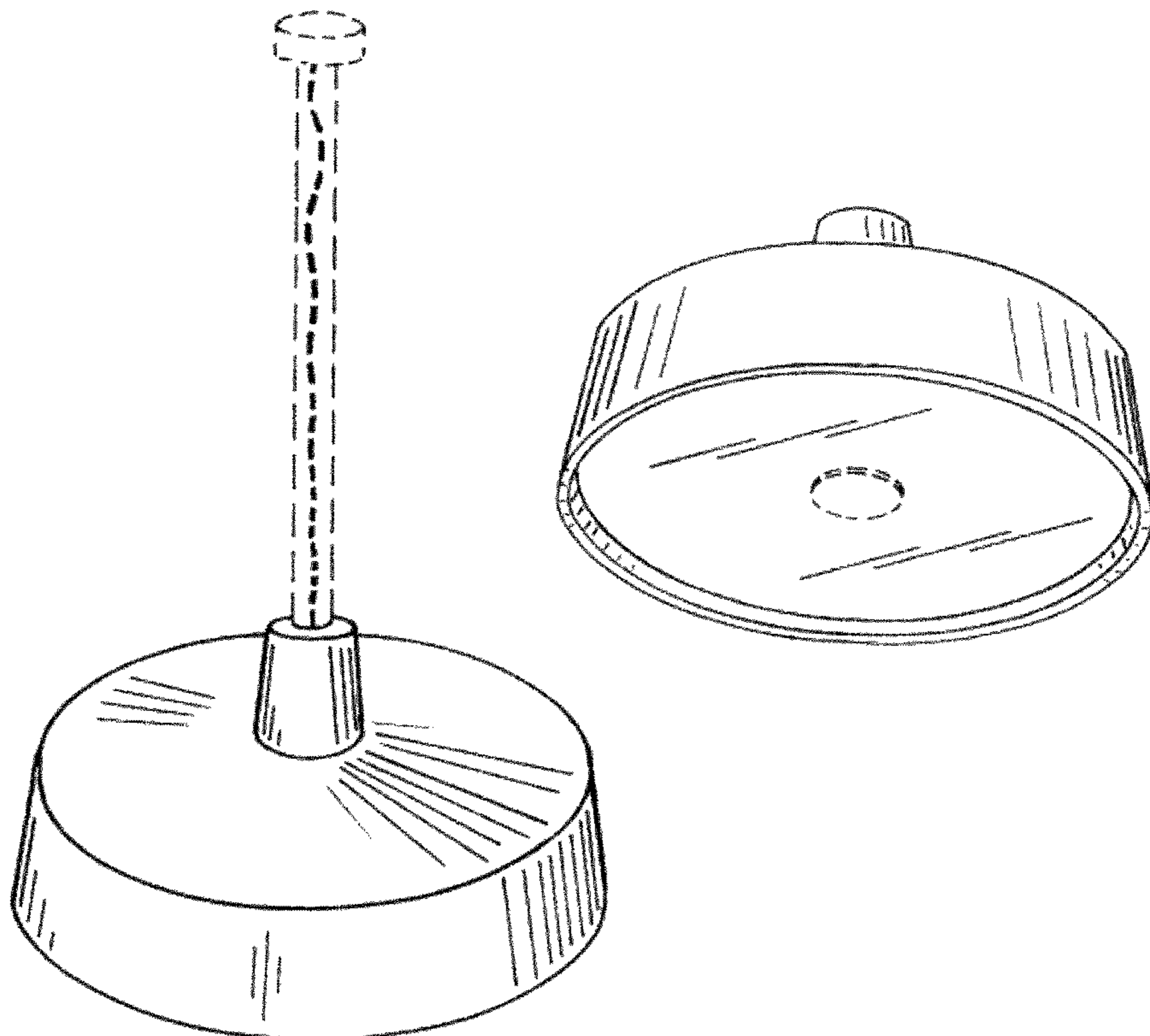
FIG. 3 is a side view of the lamp, the other sides being a mirror image thereof;

FIG. 4 is a top view of the lamp; and,

FIG. 5 is a bottom view of the lamp.

The broken lines shown on the drawings depict portions of the lamp that form no part of the claimed design.

1 Claim, 2 Drawing Sheets



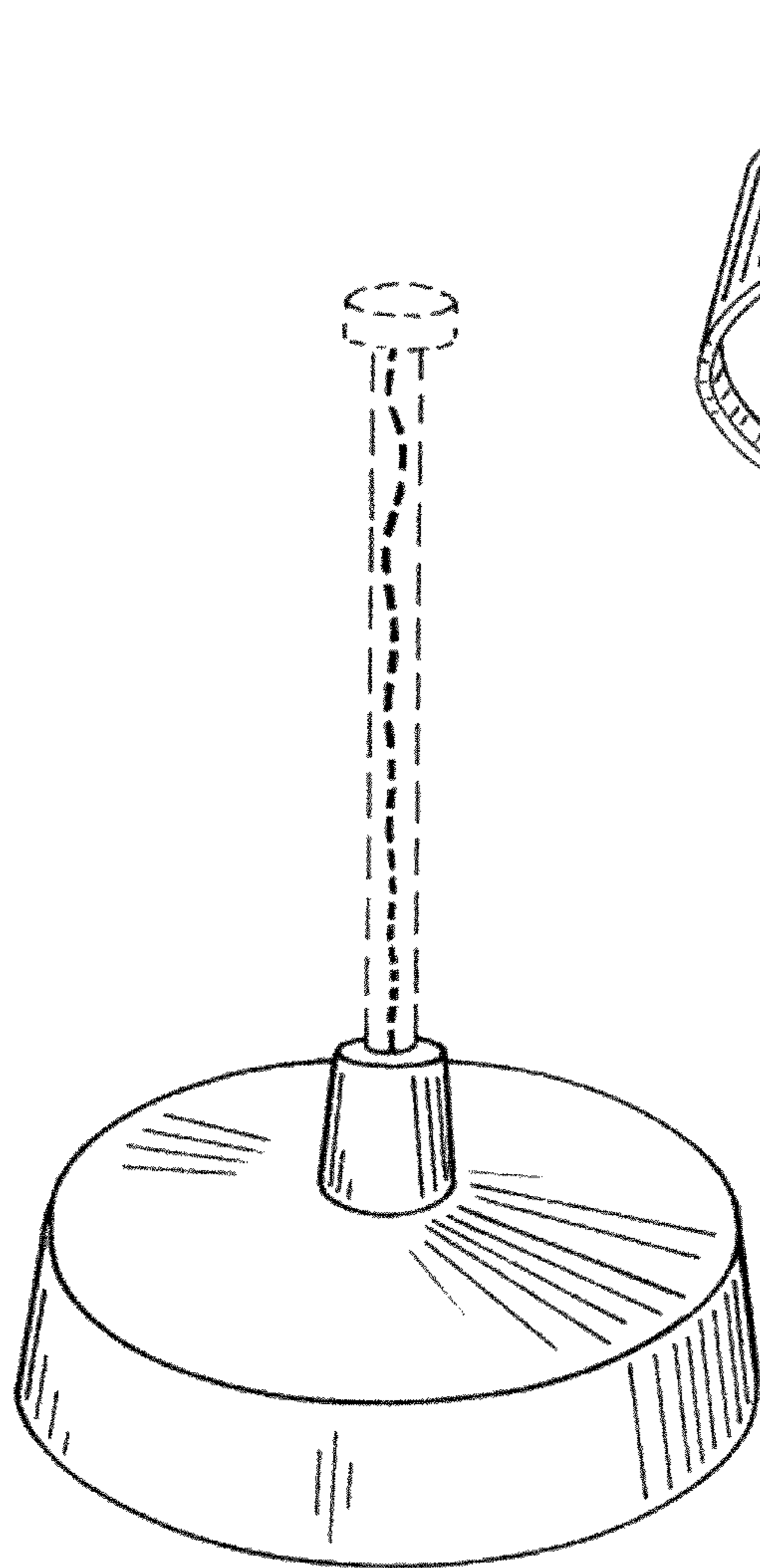


Fig. 1

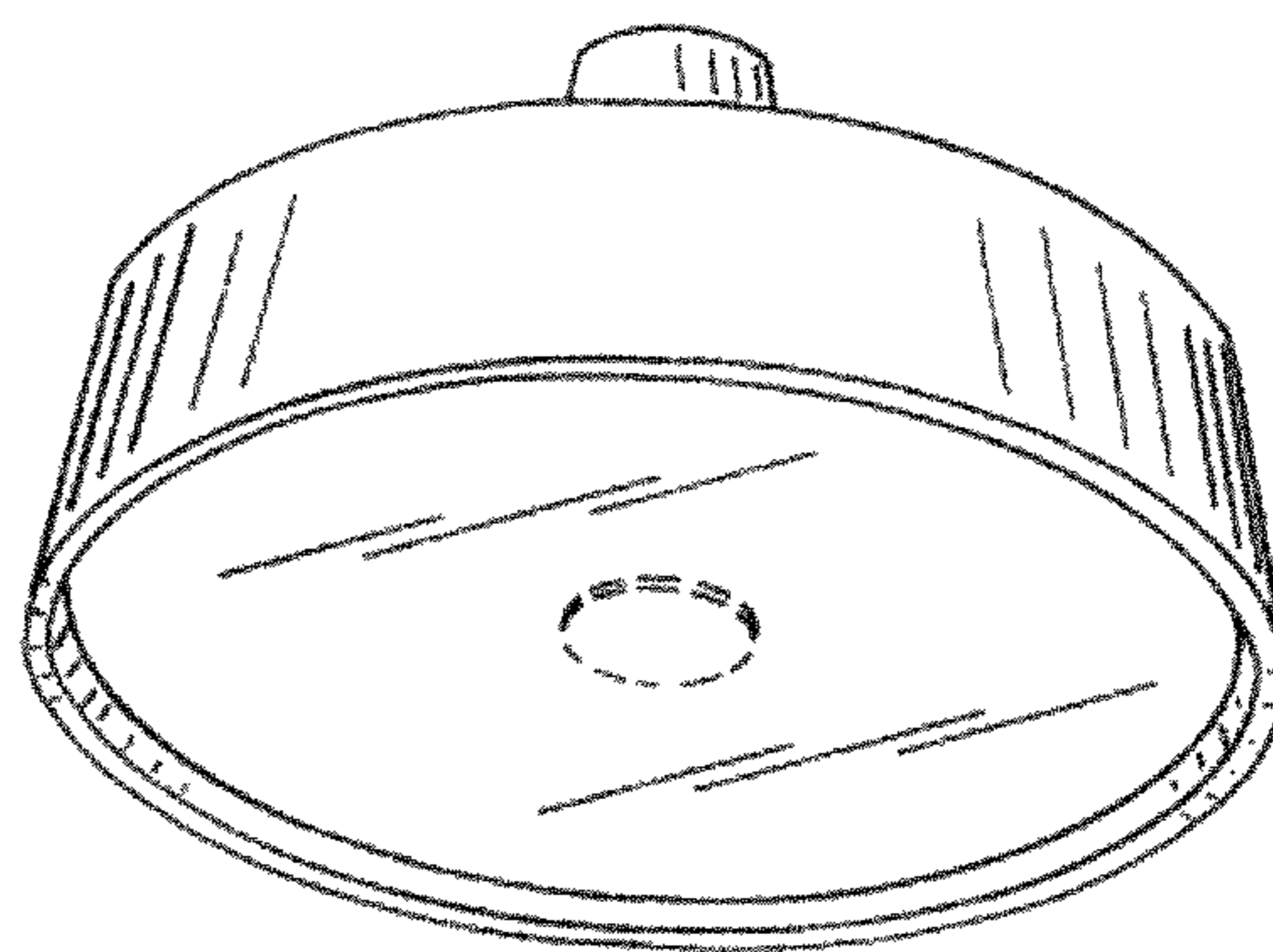


Fig. 2

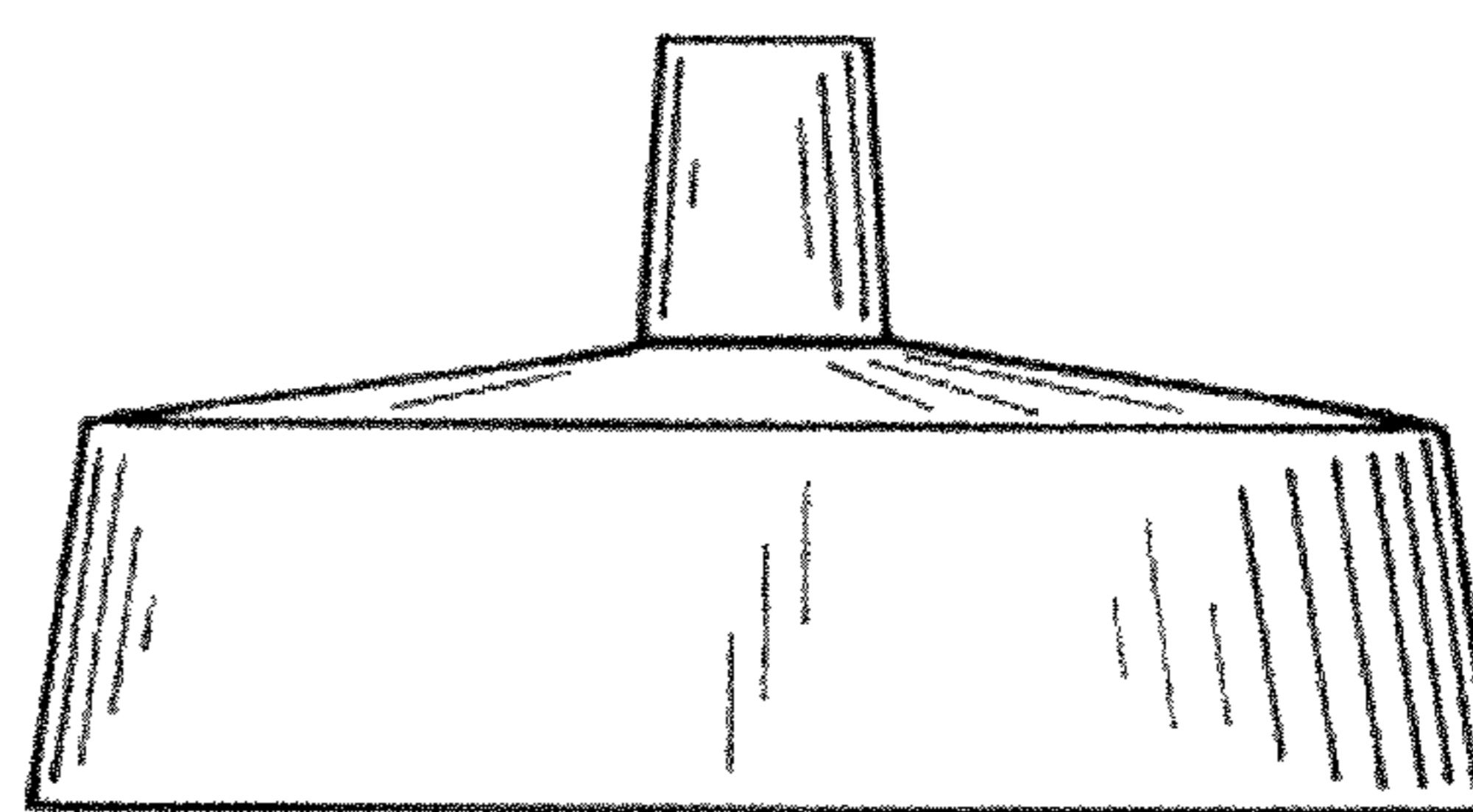


Fig. 3

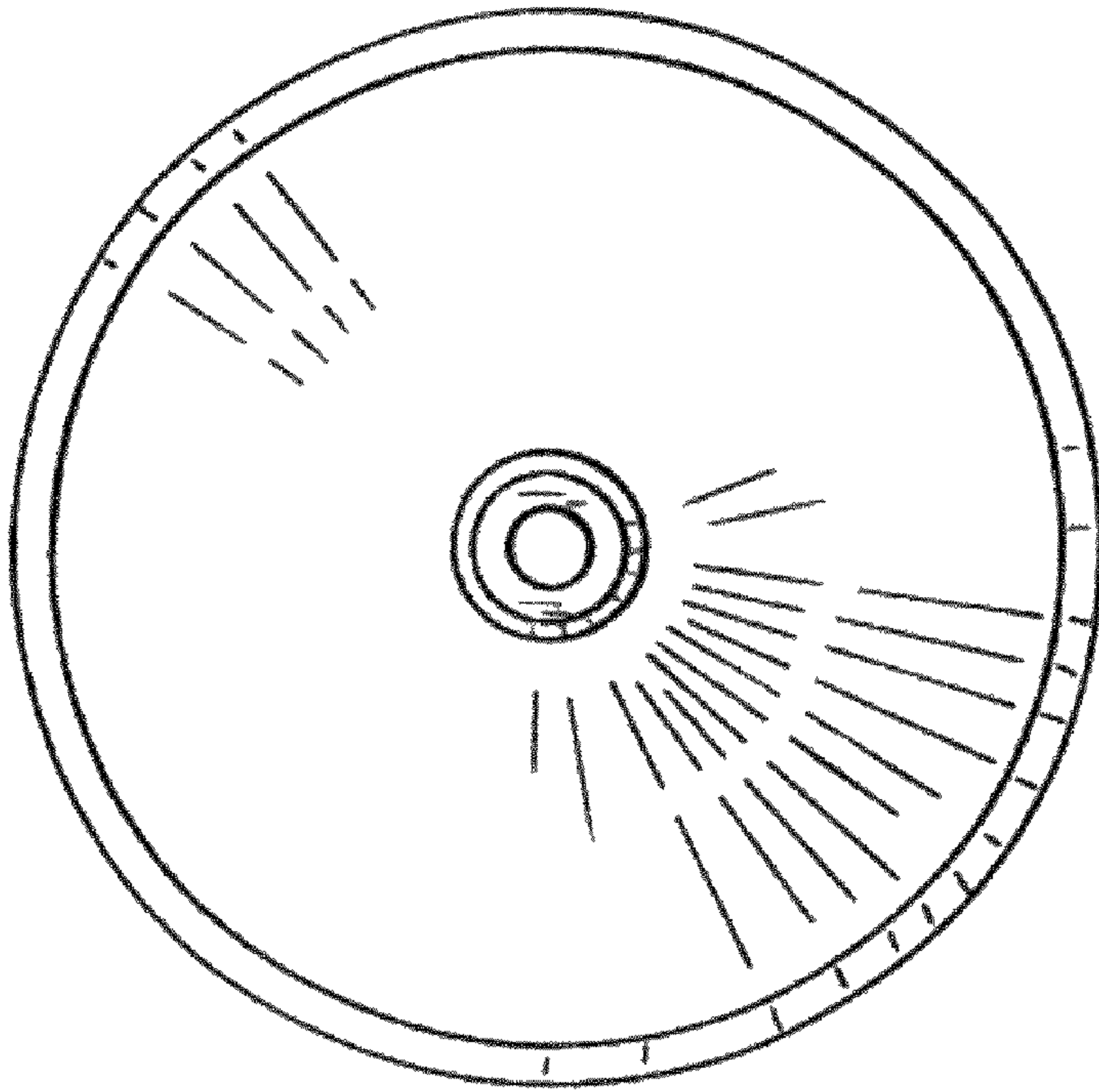


Fig. 4

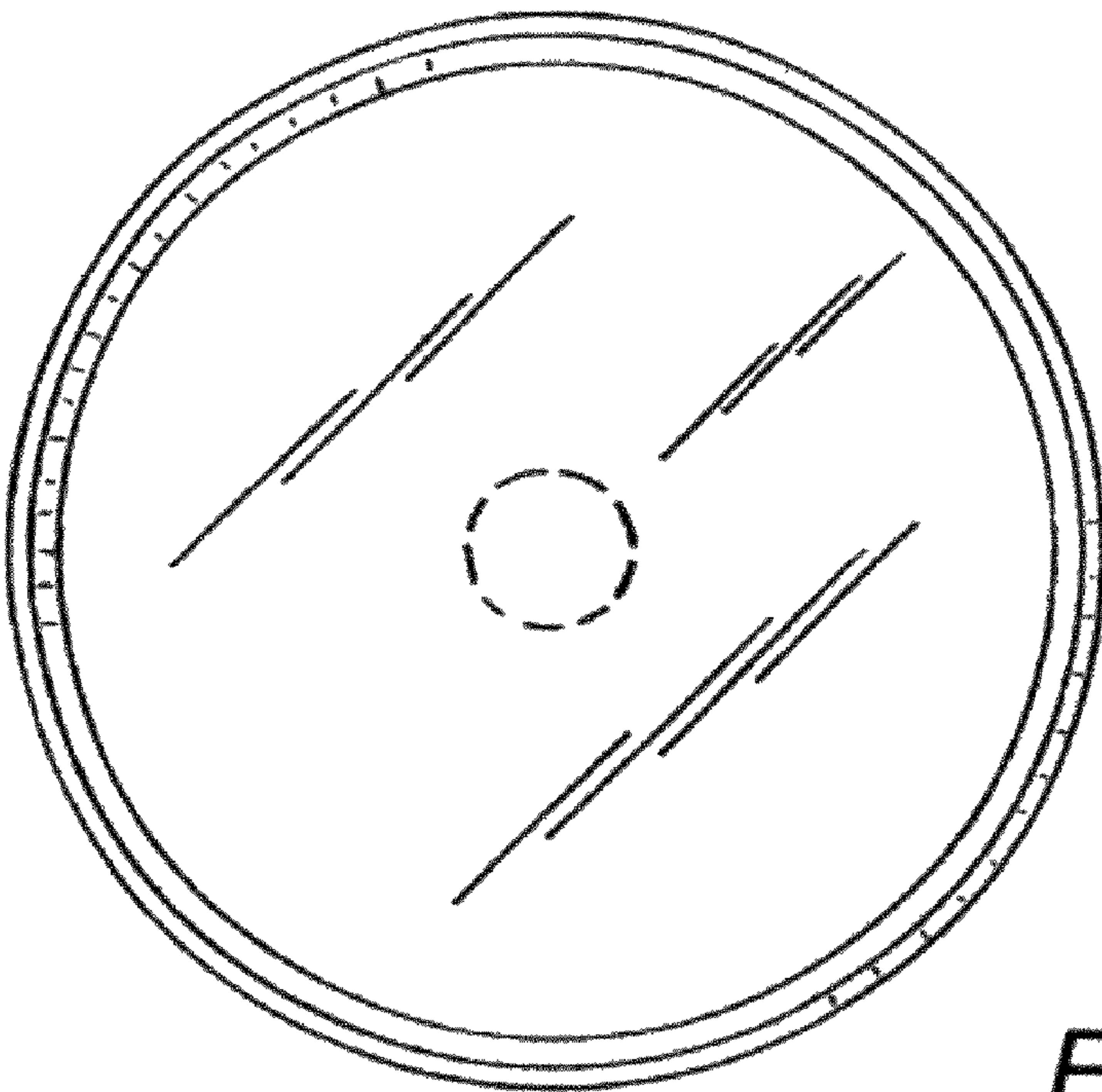


Fig. 5