

US00D663469S

(12) **United States Design Patent**
Lee et al.

(10) **Patent No.:** **US D663,469 S**
(45) **Date of Patent:** **** Jul. 10, 2012**

(54) **OUTDOOR LIGHT FIXTURE**

(75) Inventors: **Po Sum Lee**, North Point (CN); **Jack Lockhart**, Birmingham, AL (US); **Brandon Kyle Gleaton**, Dallas, TX (US)

(73) Assignee: **J. Baxter Brinkmann International Corporation**, Dallas, TX (US)

(**) Term: **14 Years**

(21) Appl. No.: **29/394,551**

(22) Filed: **Jun. 17, 2011**

(51) **LOC (9) Cl.** **26-05**

(52) **U.S. Cl.** **D26/74**

(58) **Field of Classification Search** D26/72, D26/74, 75, 76, 77, 78, 79, 80, 81, 82, 83, D26/84, 85, 88, 89, 90; 362/145, 146, 147, 362/148, 150, 151, 152, 153, 153.1, 217.01, 362/217.02, 217.05, 217.06, 217.07, 217.08, 362/217.09, 217.1, 217.11, 249.02, 260, 362/296.07, 311.02

See application file for complete search history.

(56) **References Cited**

U.S. PATENT DOCUMENTS

D93,770 S * 11/1934 Isreal D22/123
D404,159 S * 1/1999 Klaus D26/72
D444,586 S * 7/2001 Waters et al. D26/72
D469,911 S * 2/2003 Lee D26/85
D646,827 S * 10/2011 Van Gompel D26/74
D646,831 S * 10/2011 Pan D26/74
D647,239 S * 10/2011 Beghelli D26/74
D647,240 S * 10/2011 Beghelli D26/74

D647,662 S * 10/2011 Verelst et al. D26/85
D652,559 S * 1/2012 Beghelli D26/74
2009/0175030 A1* 7/2009 Sears 362/146

OTHER PUBLICATIONS

Ambiance by Sea 9241-12 2 Light Recessed Brick Step Light, at Internet website <http://www.exteriorlightinguniverse.com>, printed Sep. 28, 2010 (1 pg.).
Royal Pacific 8902SL Louvered Fluorescent Indoor Step Light and Royal Pacific 8907SL Brick Fluorescent Indoor Step Light, at Internet website <http://www.lightinguniverse.com>, printed Sep. 28, 2010 (2 pgs.).
Various step lights, at Internet website <http://www.csnlighting.com>, printed Nov. 15, 2011 (9 pgs.).
Kichler Louvered LED Step Light, at Internet website <http://www.wayfair.com>, printed Nov. 15, 2011 (3 pgs.).

* cited by examiner

Primary Examiner — Angela J Lee

(74) *Attorney, Agent, or Firm* — Sheppard, Mullin, Richter & Hampton LLP

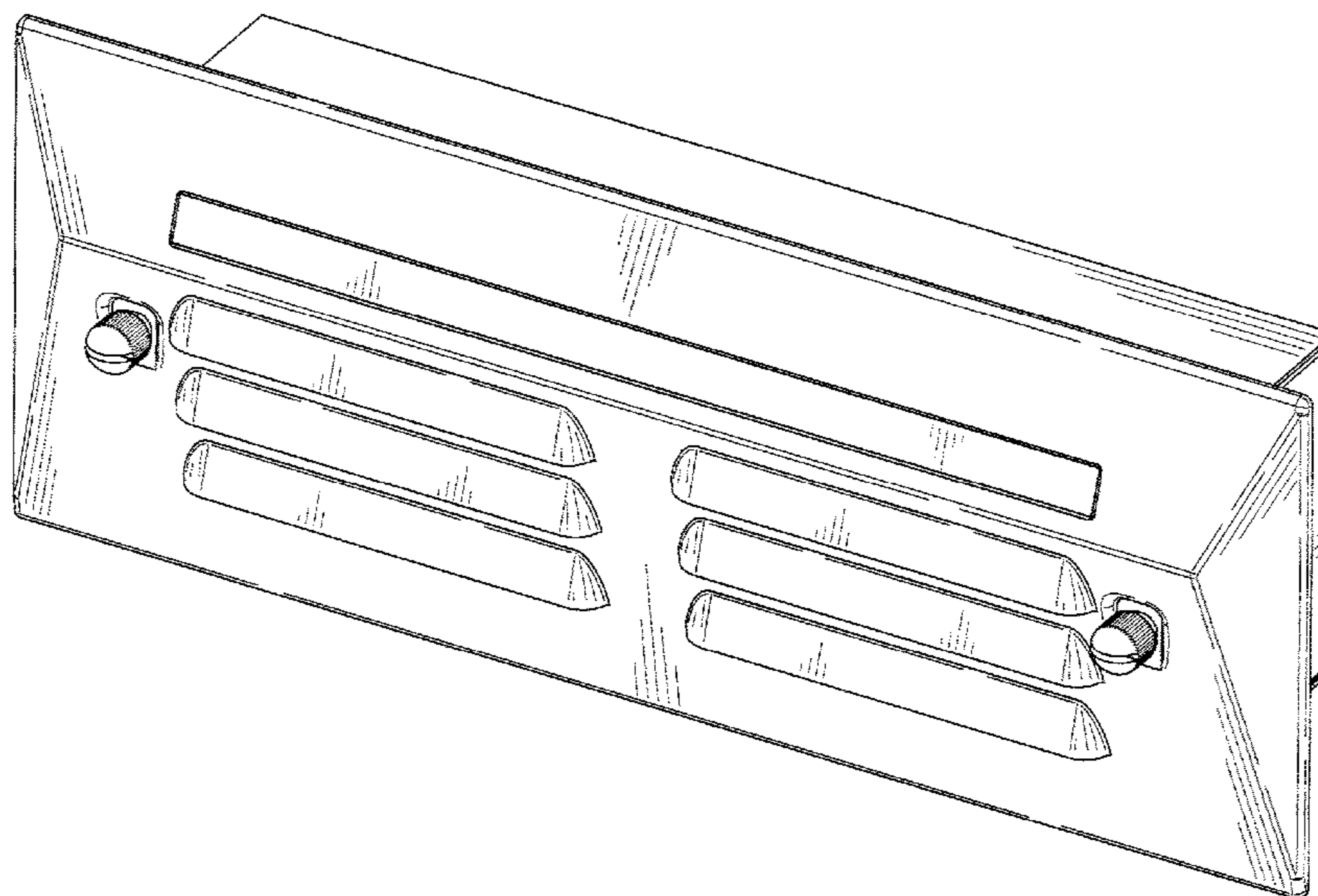
(57) **CLAIM**

We claim the ornamental design for an outdoor light fixture, as shown and described.

DESCRIPTION

FIG. 1 is a perspective view of the outdoor light fixture showing the new design;
FIG. 2 is a front elevational view thereof;
FIG. 3 is a rear elevational view thereof;
FIG. 4 is a left side elevational view thereof;
FIG. 5 is a right side elevational view thereof;
FIG. 6 is a top plan view thereof; and,
FIG. 7 is a bottom plan view thereof.

1 Claim, 3 Drawing Sheets



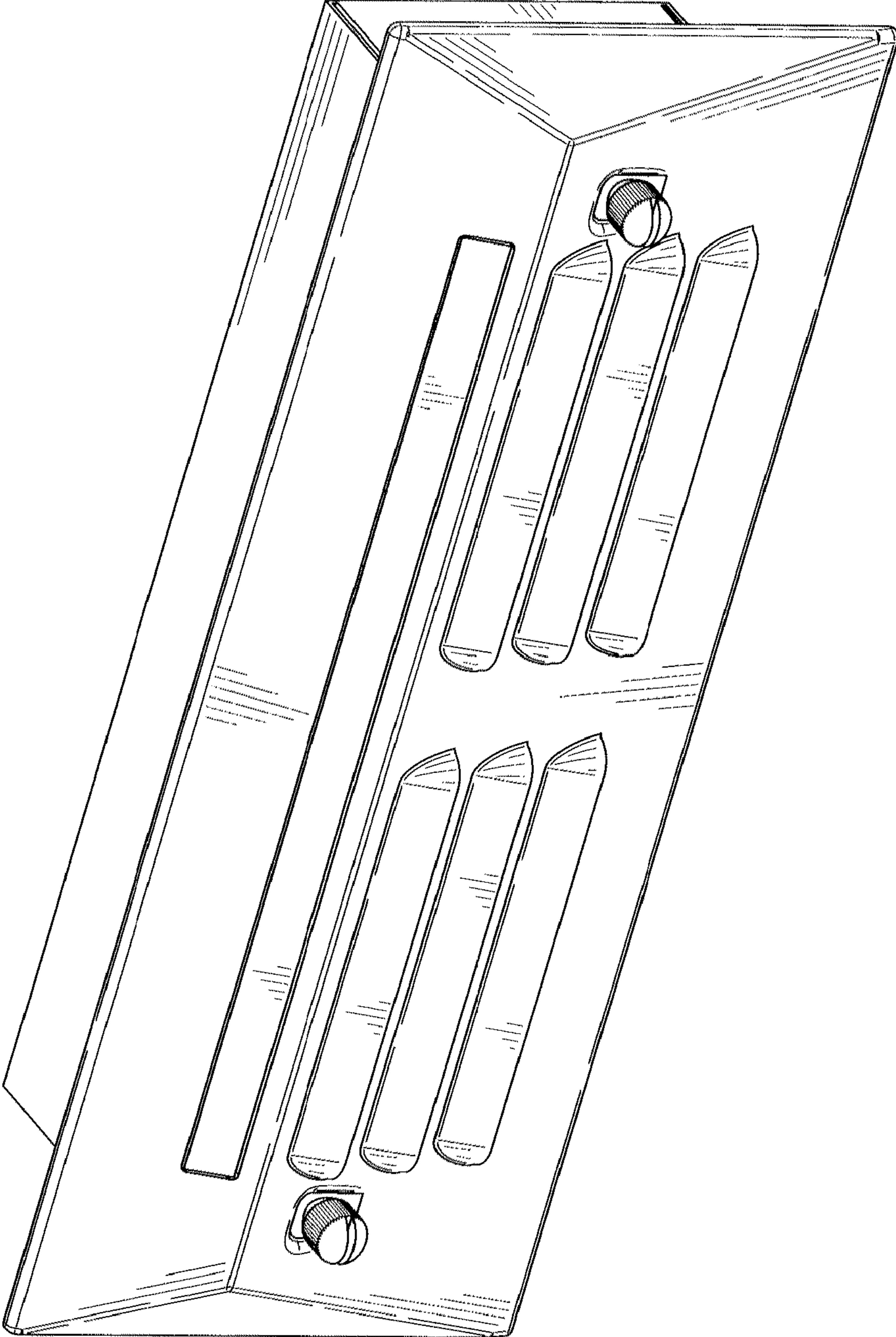


FIG. 1

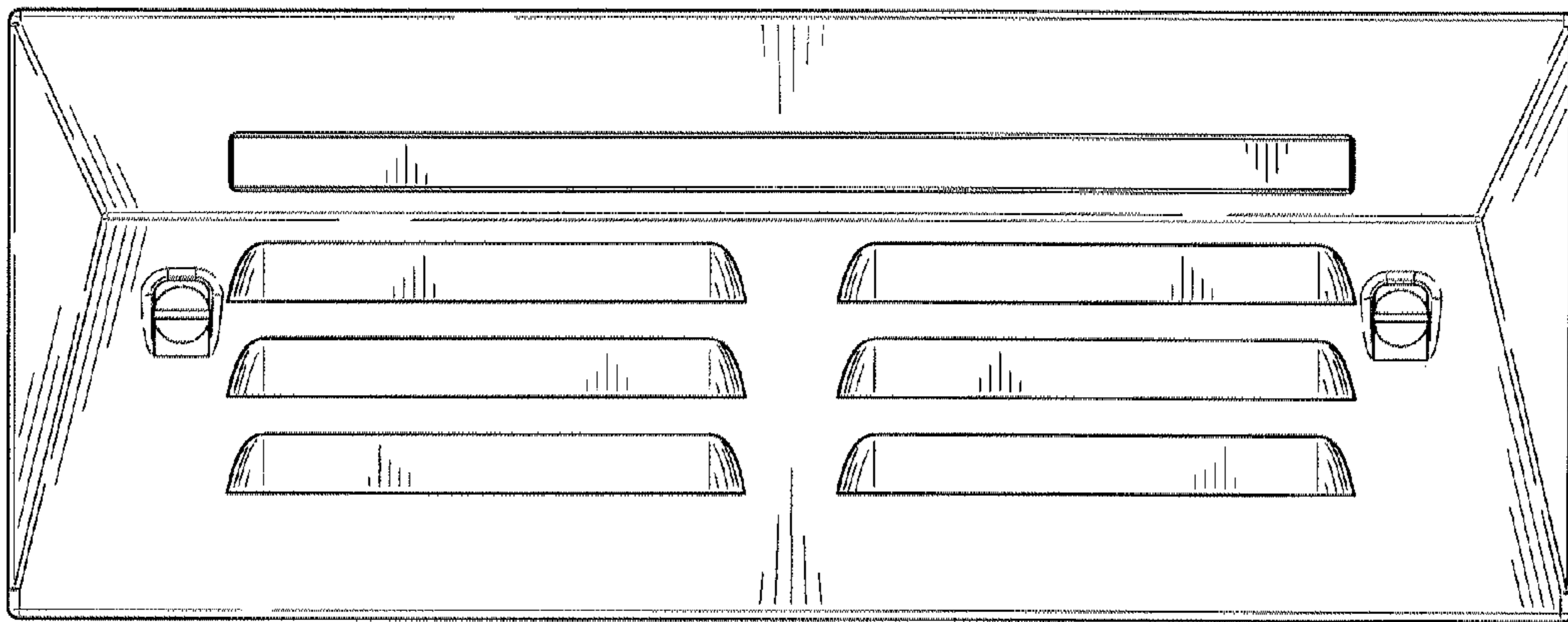


FIG. 2

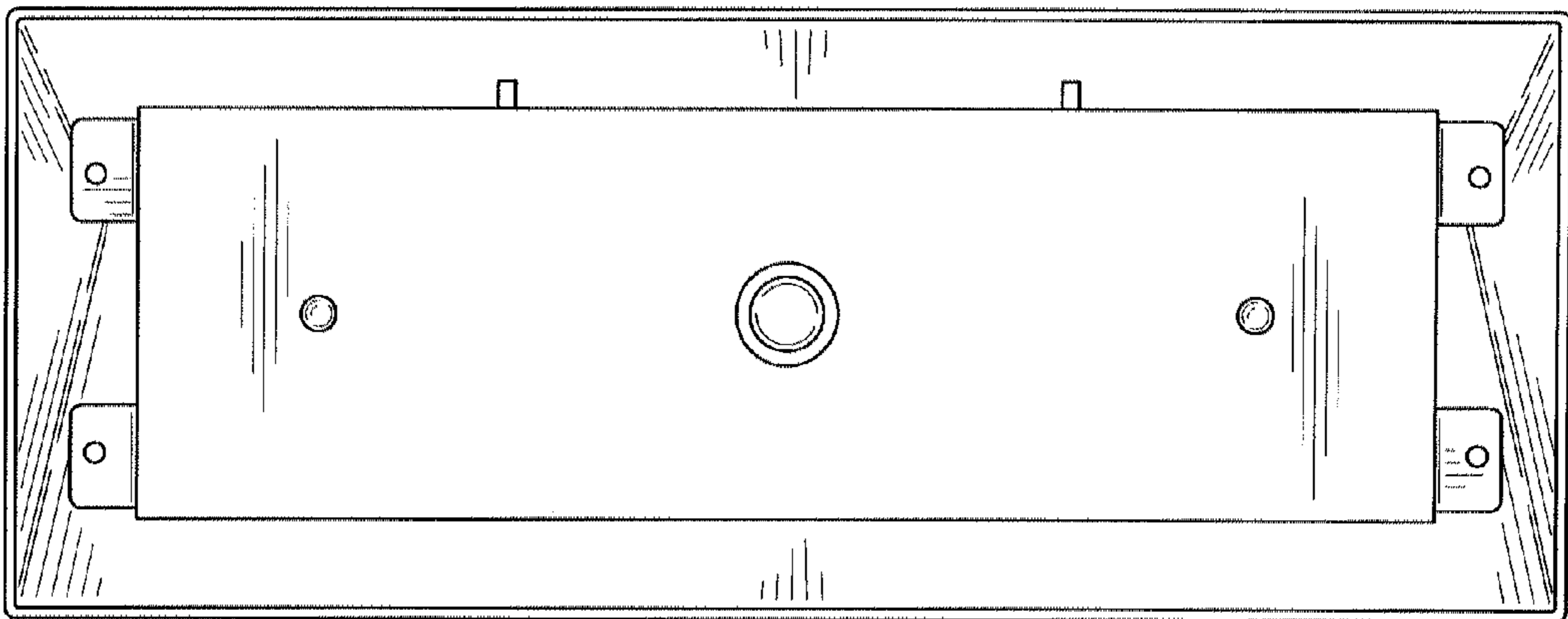


FIG. 3

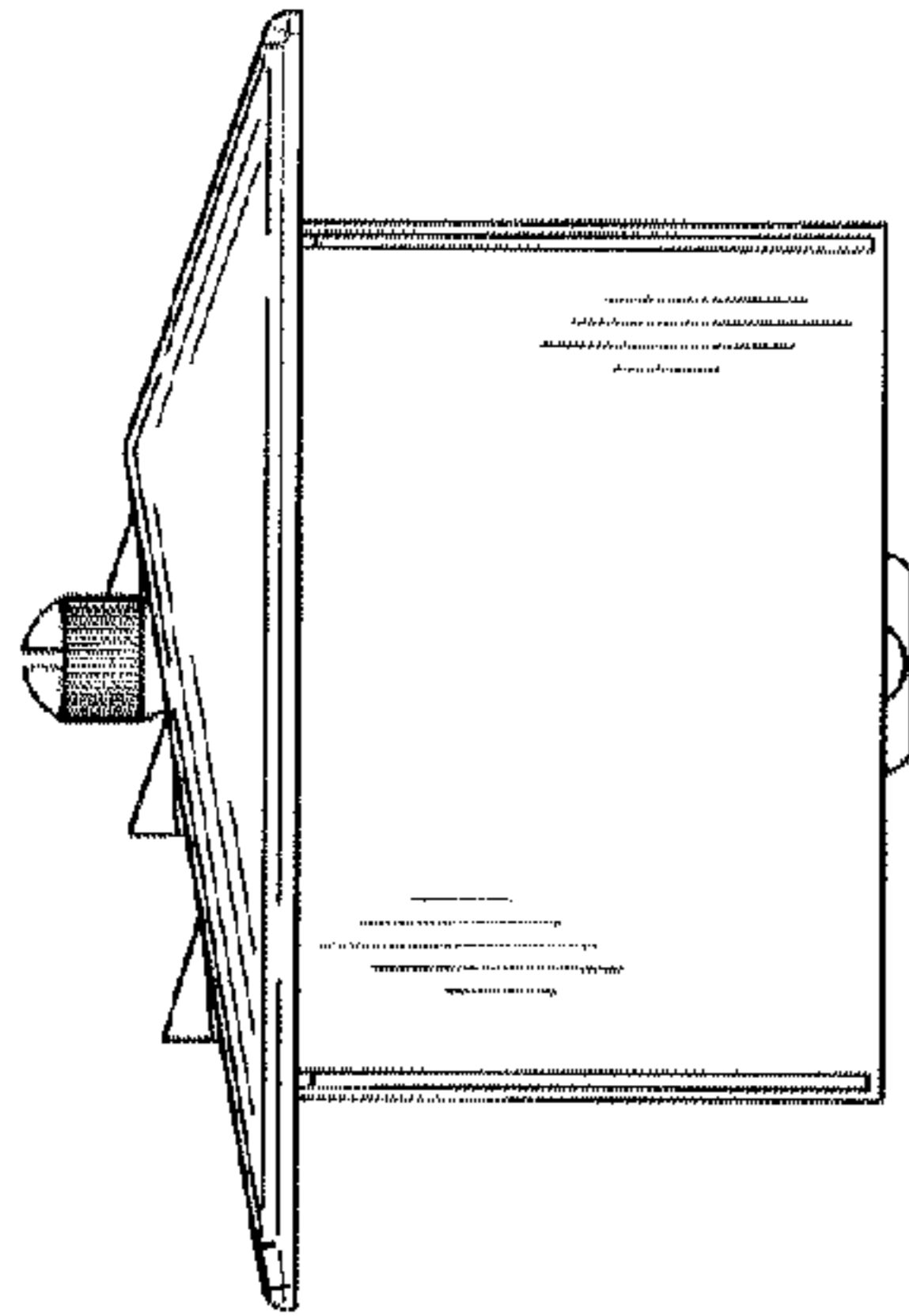


FIG. 4

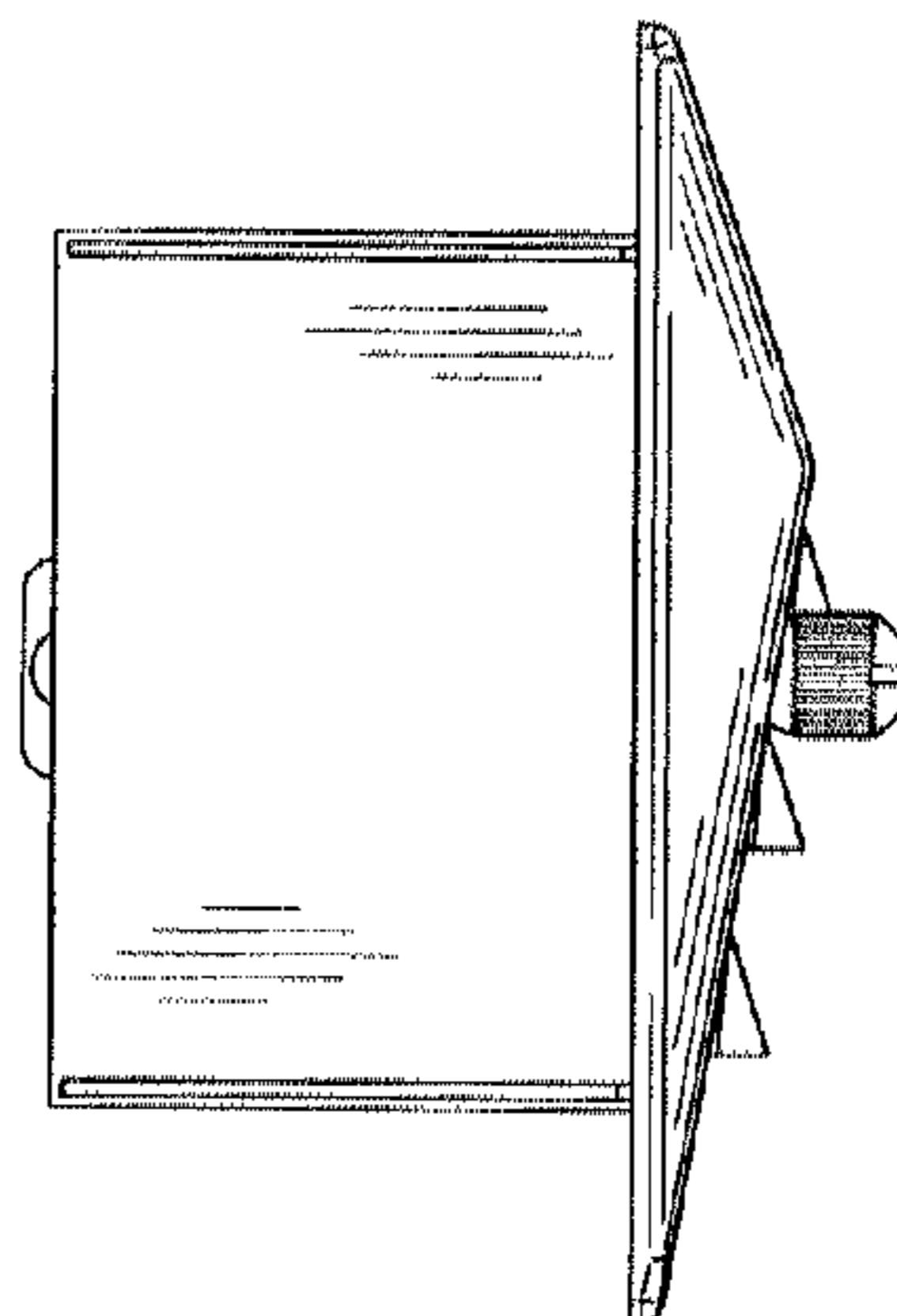


FIG. 5

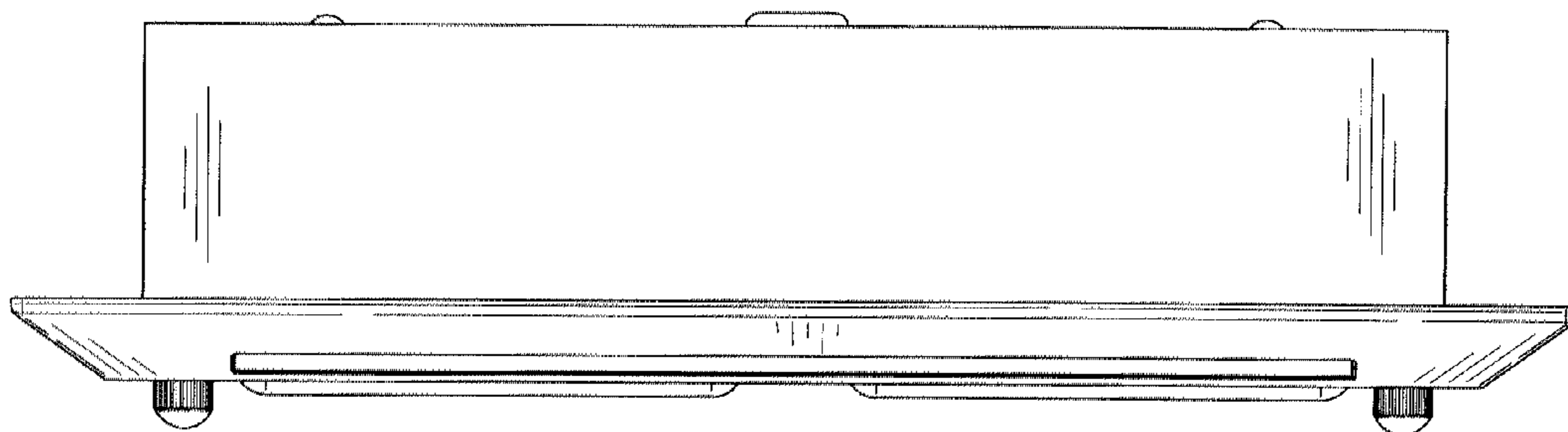


FIG. 6

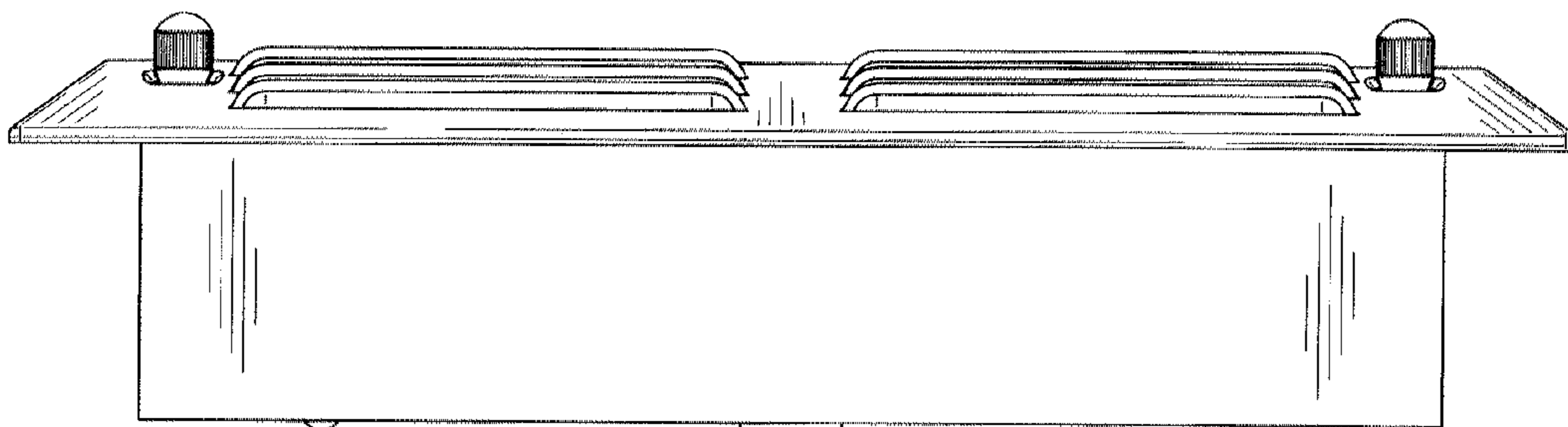


FIG. 7