



US00D663468S

(12) **United States Design Patent**
Apetauer et al.

(10) **Patent No.:** **US D663,468 S**
(45) **Date of Patent:** **** Jul. 10, 2012**

(54) **LIGHTING FIXTURE**

(75) Inventors: **Stephan Apetauer**, Munich (DE);
Thomas Moeker, Munich (DE);
Burkhard Schlee, Munich (DE)

(73) Assignee: **Focal Point, L.L.C.**, Chicago, IL (US)

(**) Term: **14 Years**

(21) Appl. No.: **29/391,867**

(22) Filed: **May 13, 2011**

(51) **LOC (9) Cl.** **26-05**

(52) **U.S. Cl.** **D26/74**

(58) **Field of Classification Search** D26/72,
D26/74, 75, 76, 77, 78, 79, 80, 81, 82, 83,
D26/84, 85, 88, 89, 90, 118; 362/145, 146,
362/147, 148, 150, 151, 152, 153, 153.1,
362/217.01, 217.02, 217.05, 217.06, 217.07,
362/217.08, 217.09, 217.1, 217.11, 249.02,
362/260, 296.07, 311.02

See application file for complete search history.

(56) **References Cited**

U.S. PATENT DOCUMENTS

D192,646 S *	4/1962	Pascucci	D26/76
D195,012 S *	4/1963	Hoyle	D23/388
D348,534 S *	7/1994	Herst et al.	D26/85
D349,357 S *	8/1994	Herst et al.	D26/85

6,523,974 B2 *	2/2003	Engel	362/224
D496,121 S *	9/2004	Santoro	D26/74
D556,358 S *	11/2007	Santoro	D26/74
D579,598 S *	10/2008	Santoro	D26/76
D602,626 S *	10/2009	Santoro et al.	D26/76
D608,931 S *	1/2010	Castelli	D26/76
D608,933 S *	1/2010	Castelli	D26/76
D617,489 S *	6/2010	Santoro	D26/76
D631,594 S *	1/2011	Irvine	D26/74

* cited by examiner

Primary Examiner — Angela J Lee

(74) *Attorney, Agent, or Firm* — Banner & Witcoff, Ltd.

(57) **CLAIM**

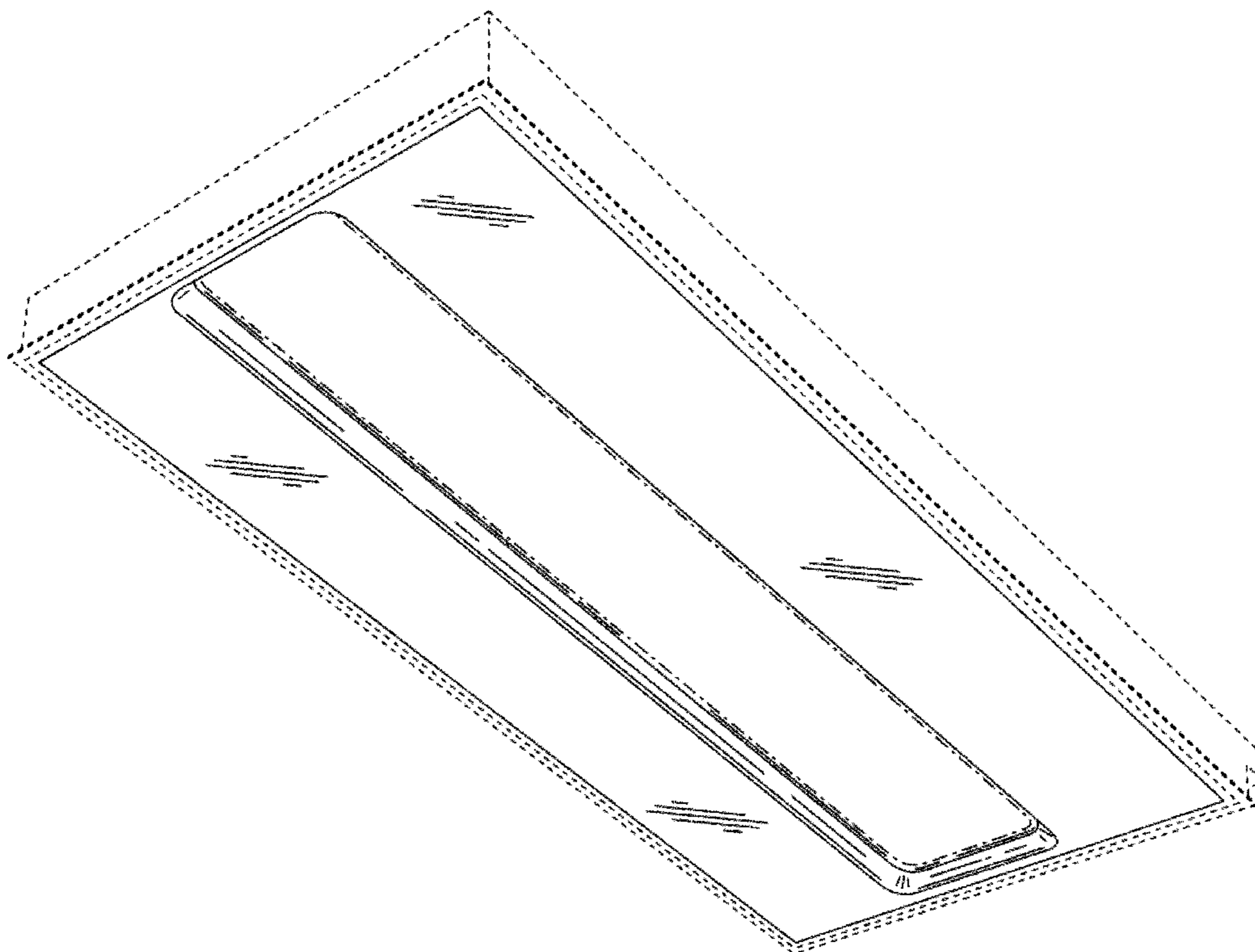
The ornamental design for a lighting fixture, as shown and described.

DESCRIPTION

FIG. 1 is a bottom, front, right perspective view of a lighting fixture showing our new design; FIG. 2 is a bottom view thereof; FIG. 3 is a top view thereof; FIG. 4 is a front view thereof; FIG. 5 is a right side view thereof; FIG. 6 is a rear view thereof; and, FIG. 7 is a left side view thereof.

The uneven-length broken lines represent unclaimed boundaries of the claimed design. The even-length broken lines showing the remainder of the lighting fixture are for environmental purposes only and form no part of the claimed design.

1 Claim, 4 Drawing Sheets



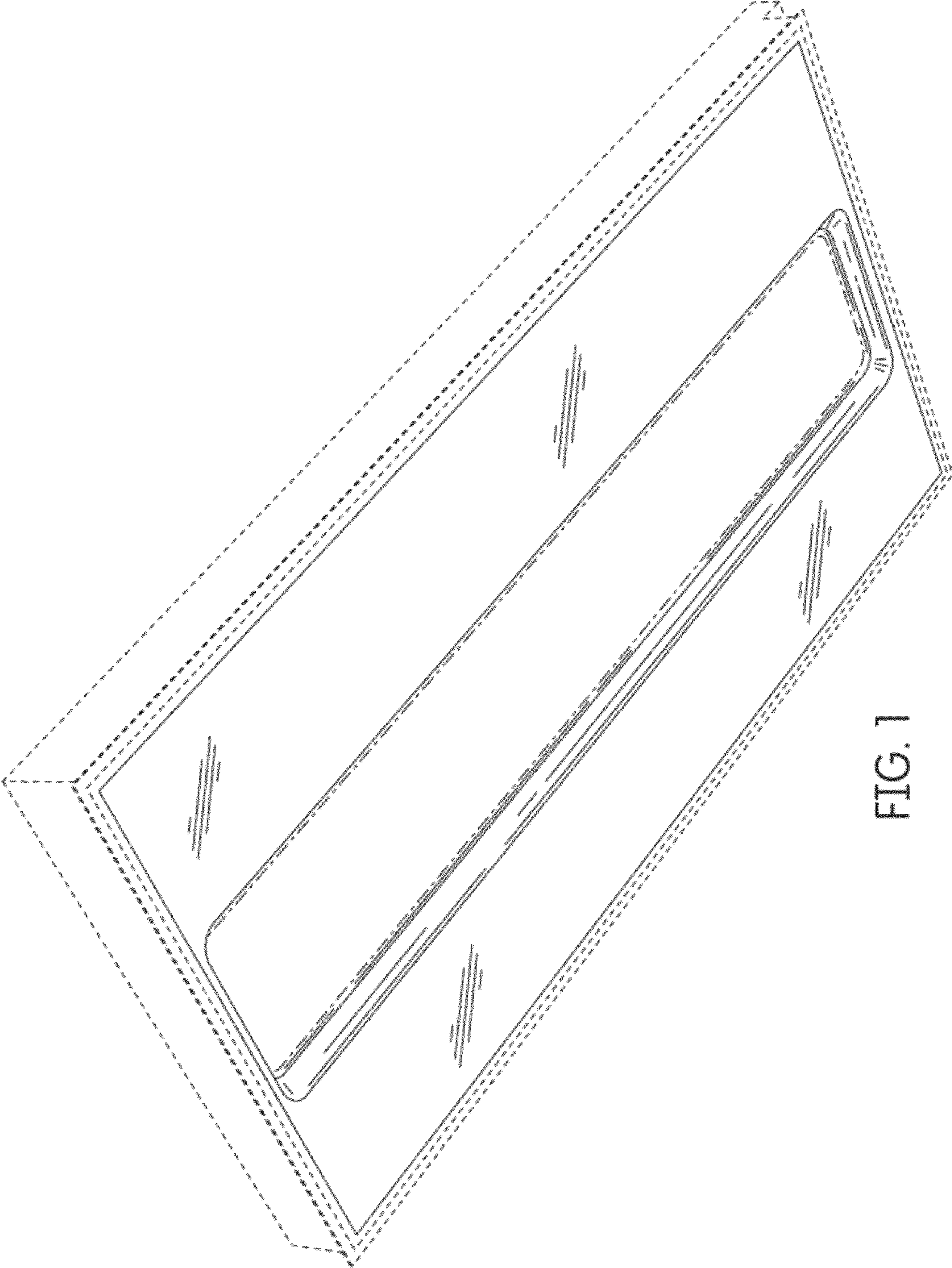


FIG. 1

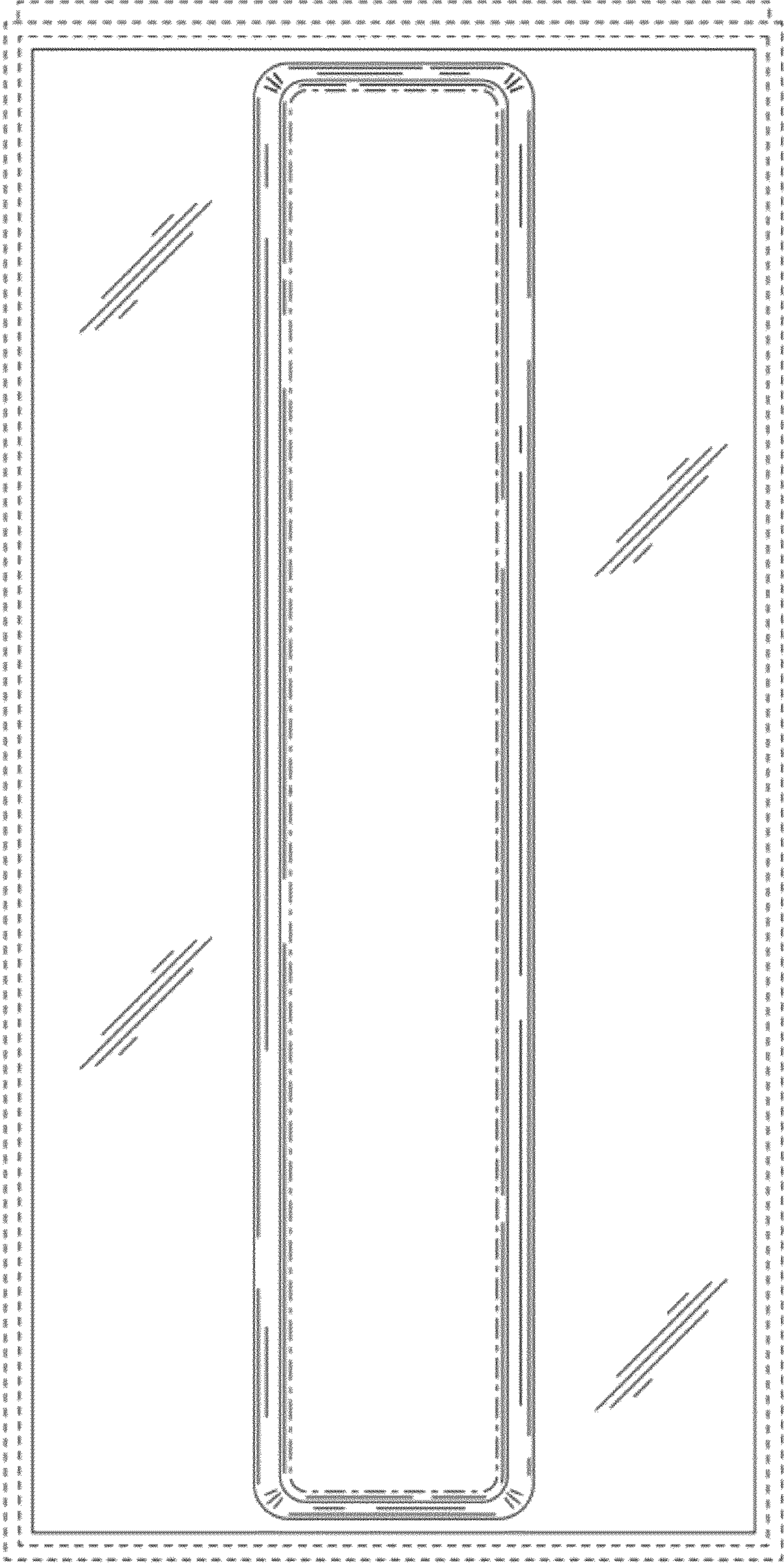


FIG. 2



FIG. 3

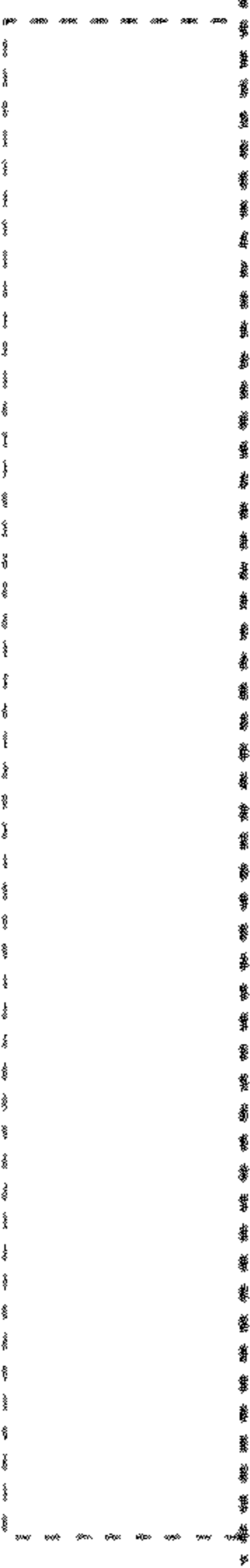


FIG. 4

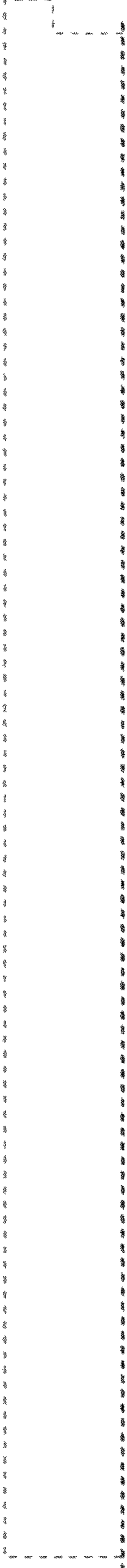


FIG. 5



FIG. 6

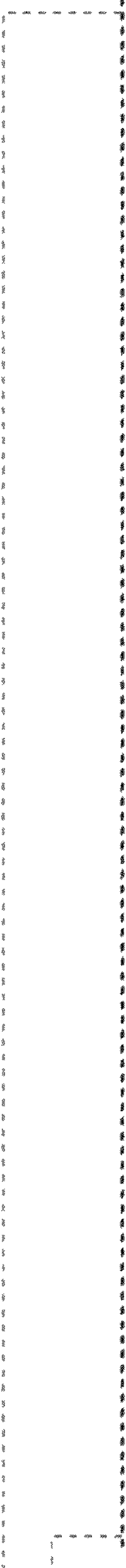


FIG. 7